



US00D974033S

(12) **United States Design Patent** (10) **Patent No.:** **US D974,033 S**  
**Lee** (45) **Date of Patent:** **\*\* Jan. 3, 2023**

(54) **COVER FOR EARPHONE CASE**

FOREIGN PATENT DOCUMENTS

(71) Applicant: **ELAGO CO. LTD**, Goyang-si (KR)

KR 301095810.0000 2/2021  
KR 301097903.0000 3/2021  
KR 301141947.0000 12/2021

(72) Inventor: **Chanwoo Lee**, Goyang-si (KR)

(73) Assignee: **elago CO. LTD**, Goyang-Si (KR)

OTHER PUBLICATIONS

(\*\*) Term: **15 Years**

Apple Ch2, "US elago releases "Floppy Disk Case for AirPods 3", a case for AirPods (3rd generation) with a floppy disk design.", Published Jul. 7, 2022. (<https://applech2.com/archives/20220707-elago-floppy-disk-case-for-airpods-3.html>) (Year: 2022).\*

(21) Appl. No.: **29/829,216**

\* cited by examiner

(22) Filed: **Mar. 3, 2022**

(51) **LOC (14) Cl.** ..... **03-01**

*Primary Examiner* — April Rivas

(52) **U.S. Cl.**

(74) *Attorney, Agent, or Firm* — Paratus Law Group, PLLC

USPC ..... **D3/271.1**; D3/302

(58) **Field of Classification Search**

USPC ..... D3/271.1, 201, 208, 212, 218, 273, 274, D3/294, 302

CPC ..... A45C 2011/001; H04R 1/1025

See application file for complete search history.

(57) **CLAIM**

The ornamental design for a cover for earphone case, as shown and described.

**DESCRIPTION**

(56) **References Cited**

U.S. PATENT DOCUMENTS

D271,298 S	11/1983	Fujimoto	
D275,676 S	9/1984	Nakagawa et al.	
D277,858 S	3/1985	Takahashi et al.	
D283,893 S	5/1986	Fujimoto	
D358,586 S	5/1995	Miyazaki et al.	
D387,743 S	12/1997	Takahashi	
D508,772 S *	8/2005	Gilson	D3/294
D864,565 S	10/2019	Lee et al.	
D888,663 S	6/2020	Weng	
D911,705 S *	3/2021	Lee	D3/269
D926,470 S	8/2021	Luo	
D931,210 S	9/2021	Lee	
D931,605 S	9/2021	Zhu	
D935,180 S	11/2021	Zhang	
D942,387 S	2/2022	Chen	
D949,865 S *	4/2022	Lee	D14/440
D953,029 S *	5/2022	Lee	D3/271.1

FIG. 1 is a front, top, and left-side perspective view of a cover for earphone case, showing my new design;

FIG. 2 is a front view thereof;

FIG. 3 is a back view thereof;

FIG. 4 is a left side view thereof;

FIG. 5 is a right side view thereof;

FIG. 6 is a top view thereof;

FIG. 7 is a bottom view thereof;

FIG. 8 is a back, top, and left-side perspective view thereof; and,

FIG. 9 is a front, bottom, and left-side perspective view thereof.

The broken lines shown in FIGS. 1-4 and 6-9 depict portions of the cover for earphone case, which form no part of the claimed design. The unshaded interior surfaces of the cover for earphone case, seen through openings in FIGS. 1, 2, 7, and 9, form no part of the claimed design.

**1 Claim, 7 Drawing Sheets**

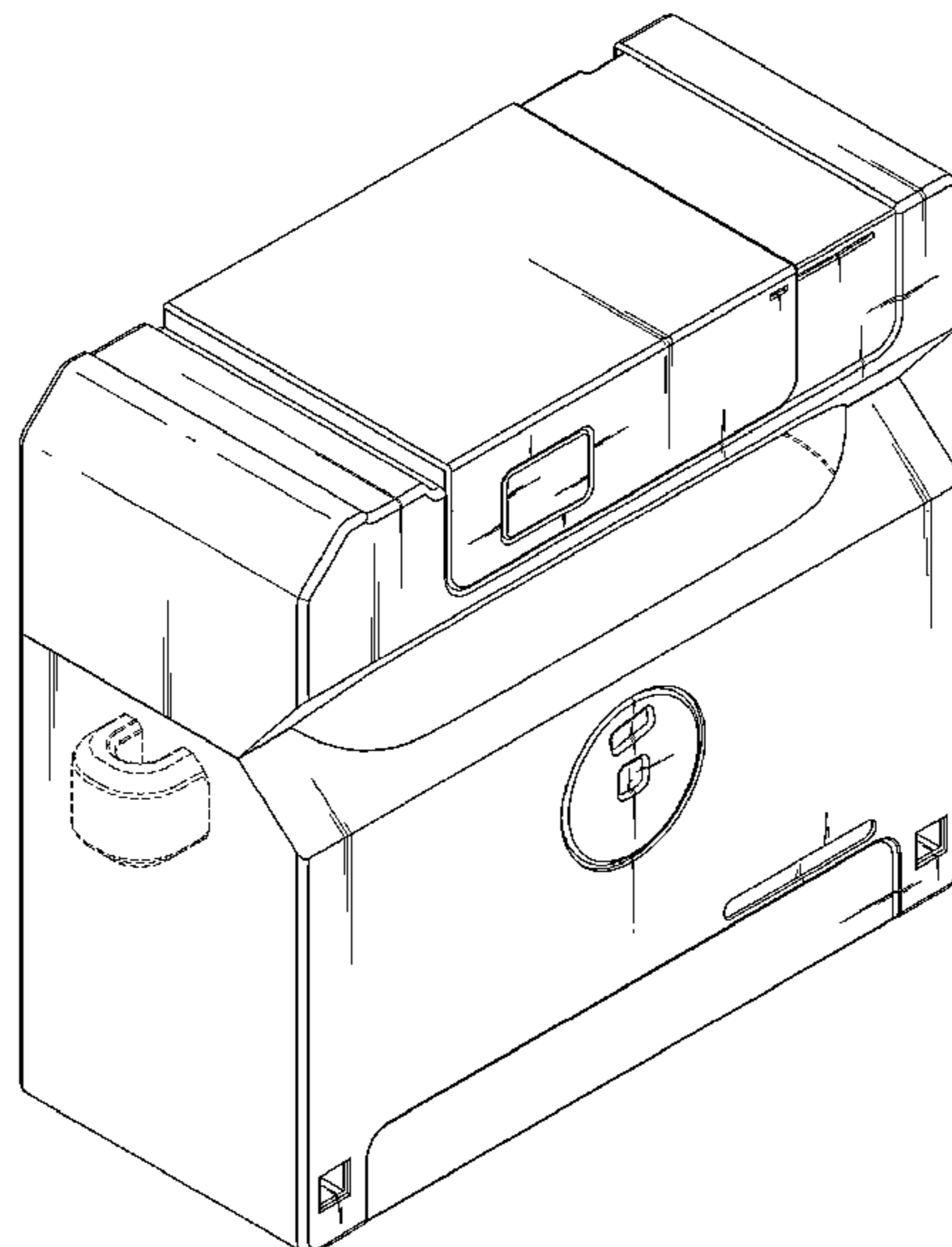


FIG. 1

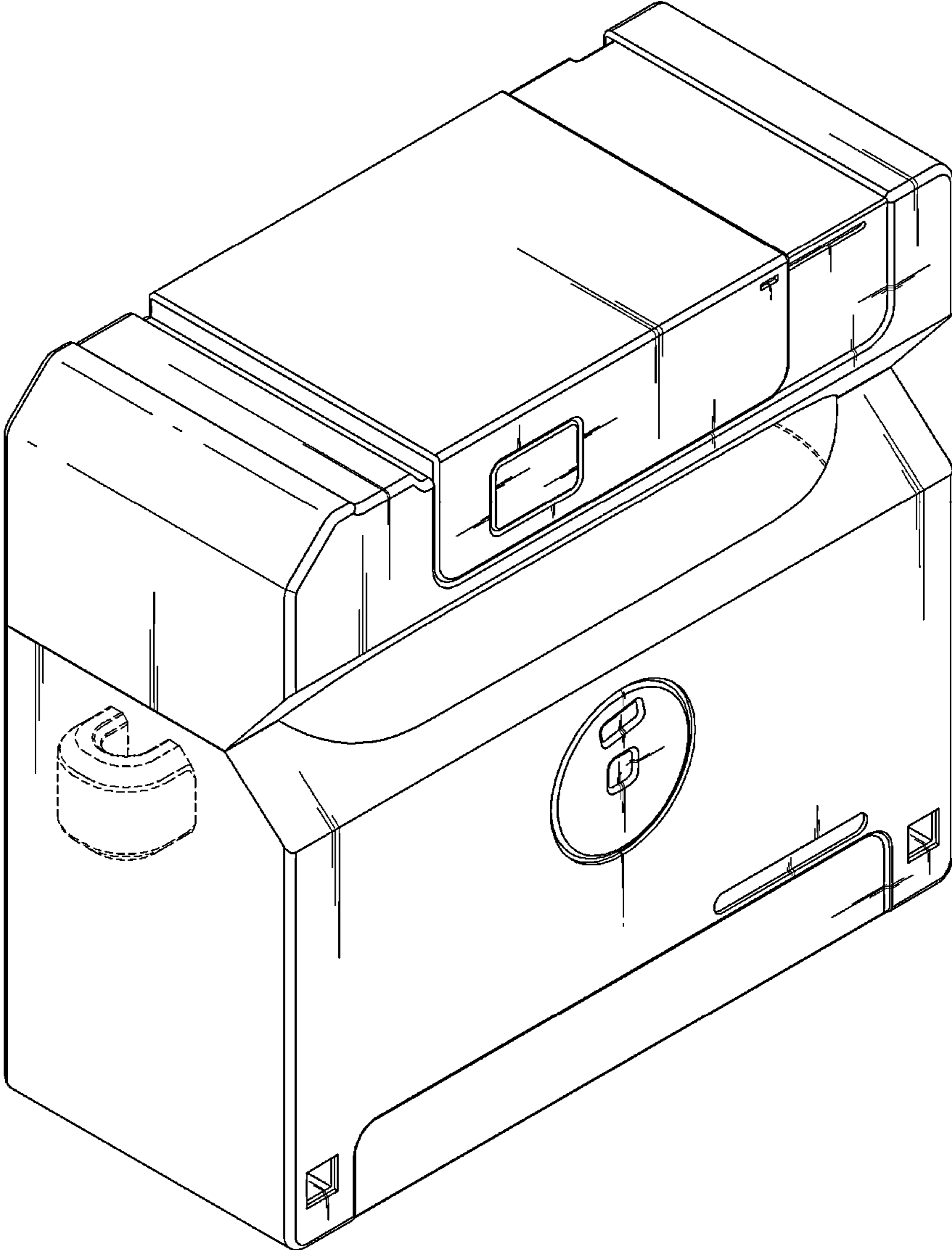


FIG. 2

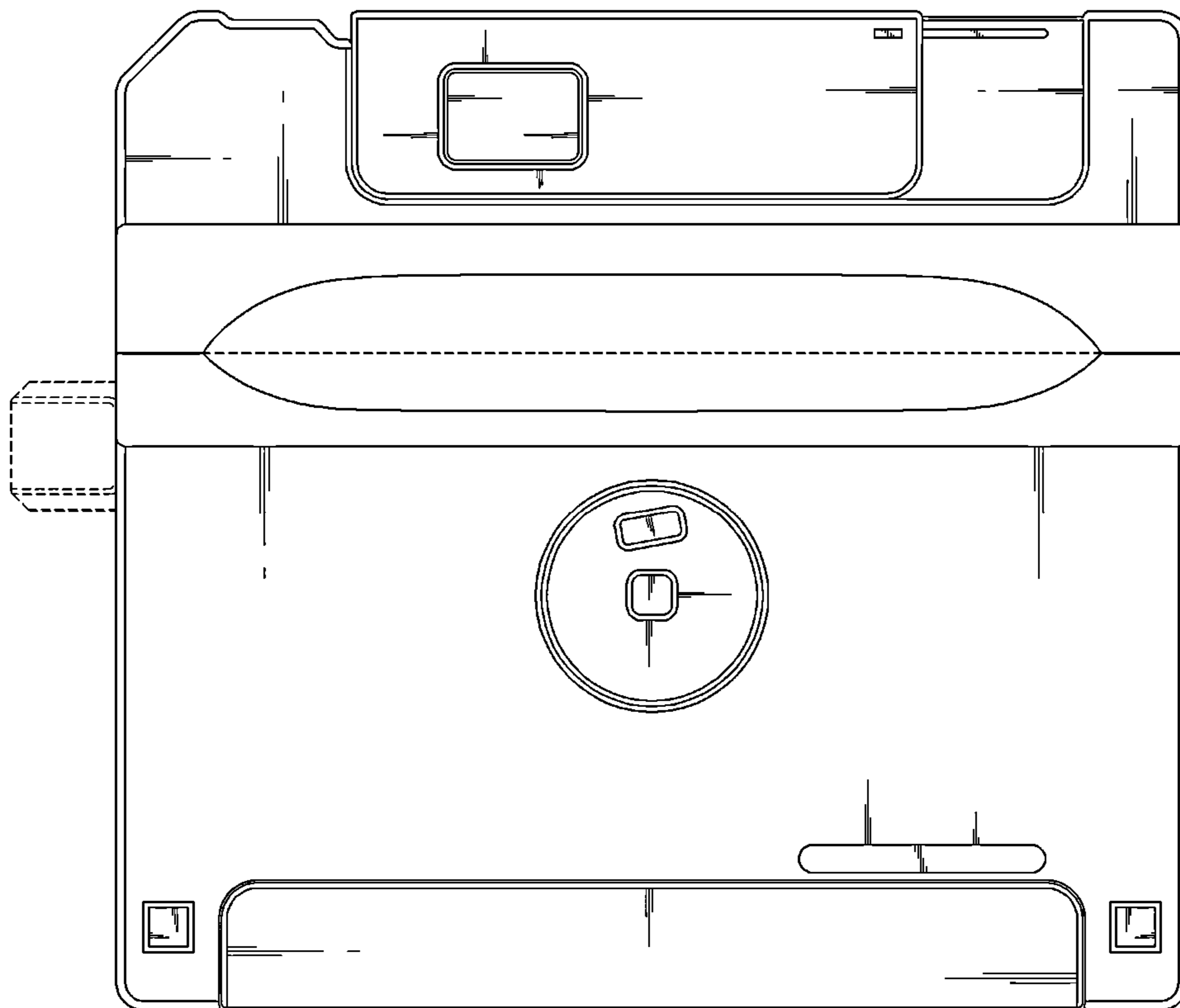


FIG. 3

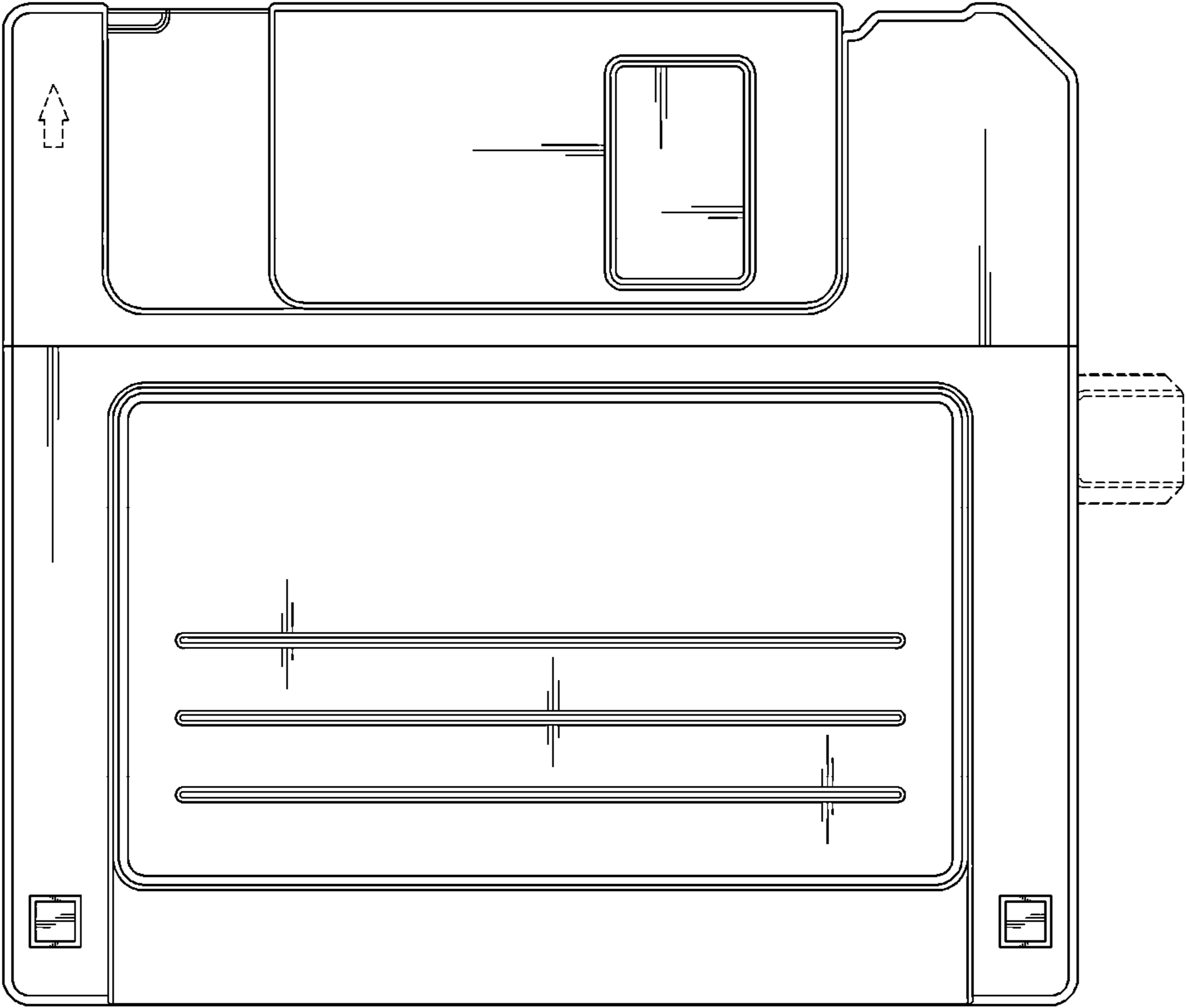


FIG. 4

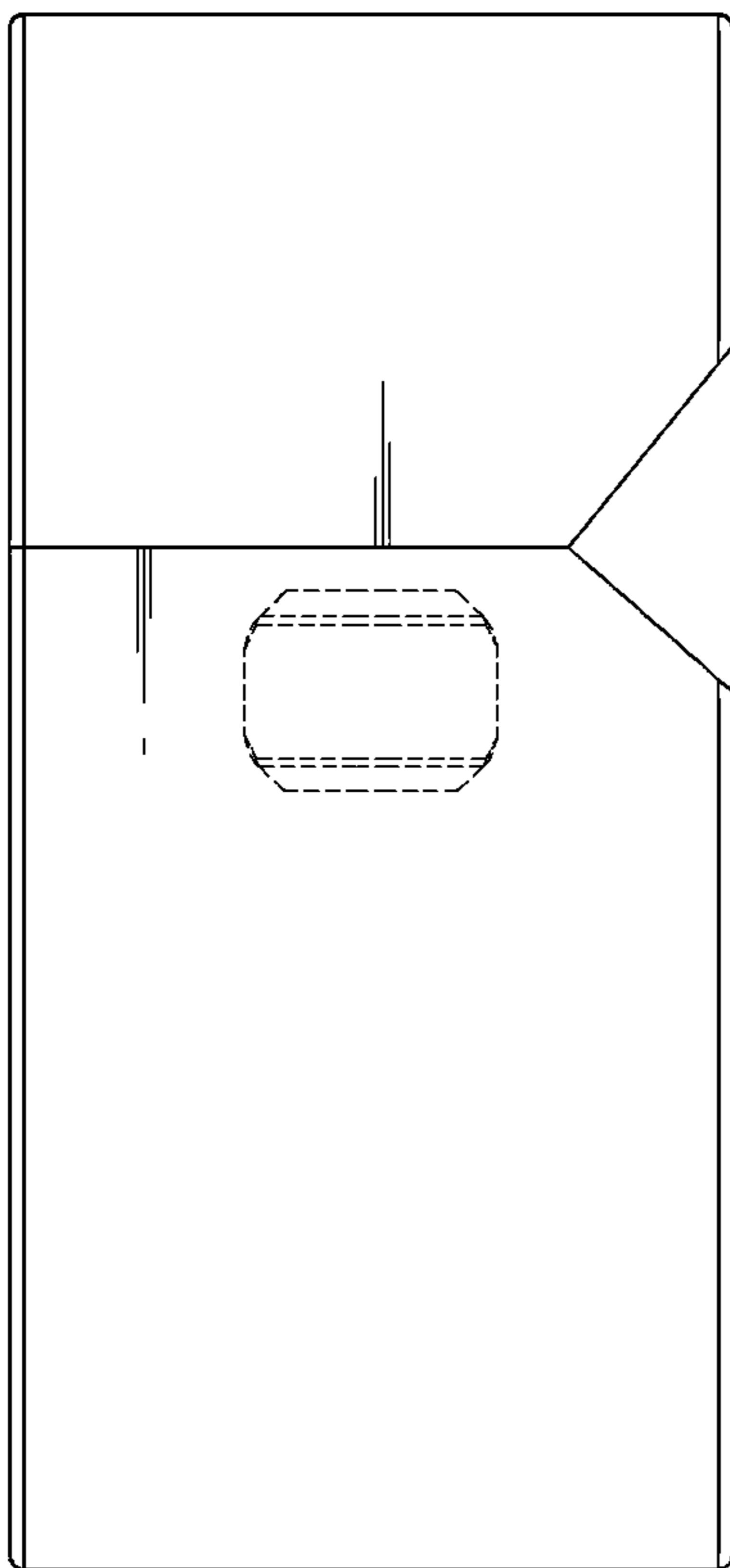


FIG. 5

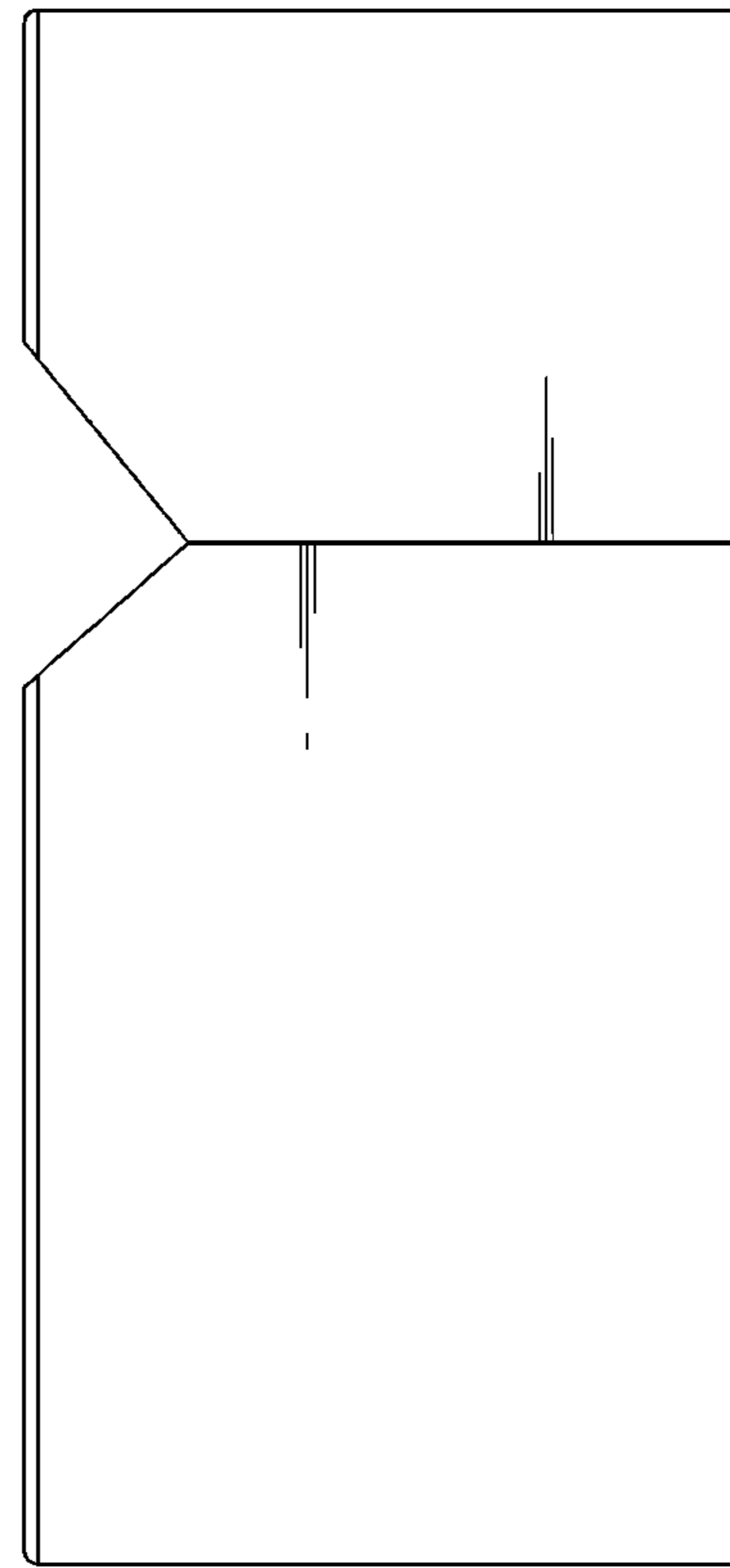


FIG. 6

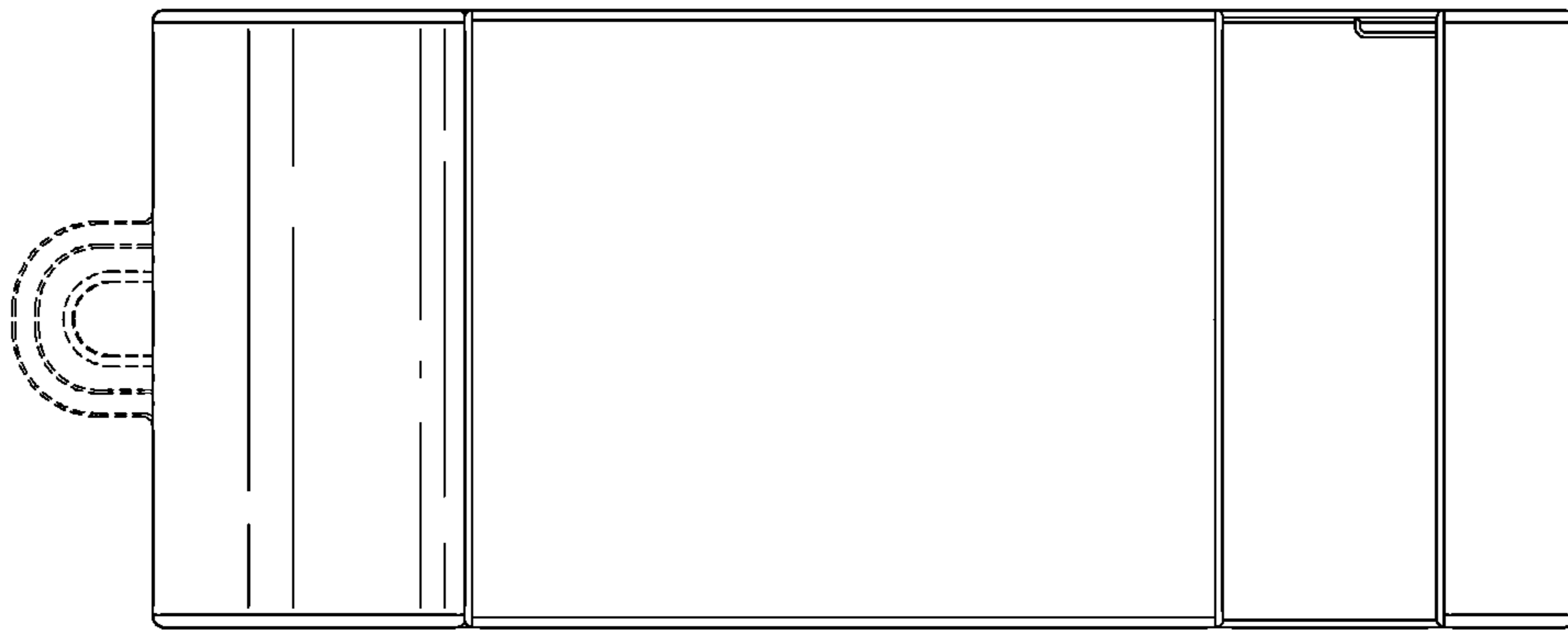


FIG. 7

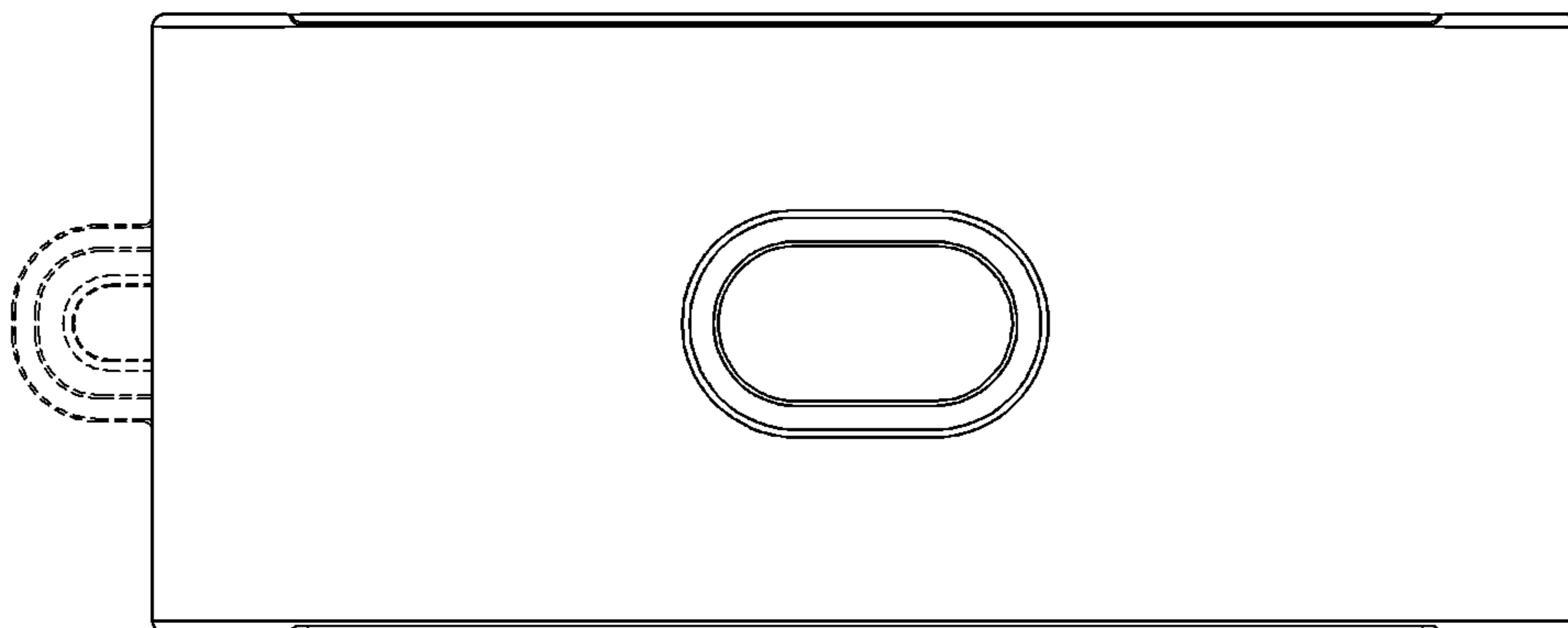


FIG. 8

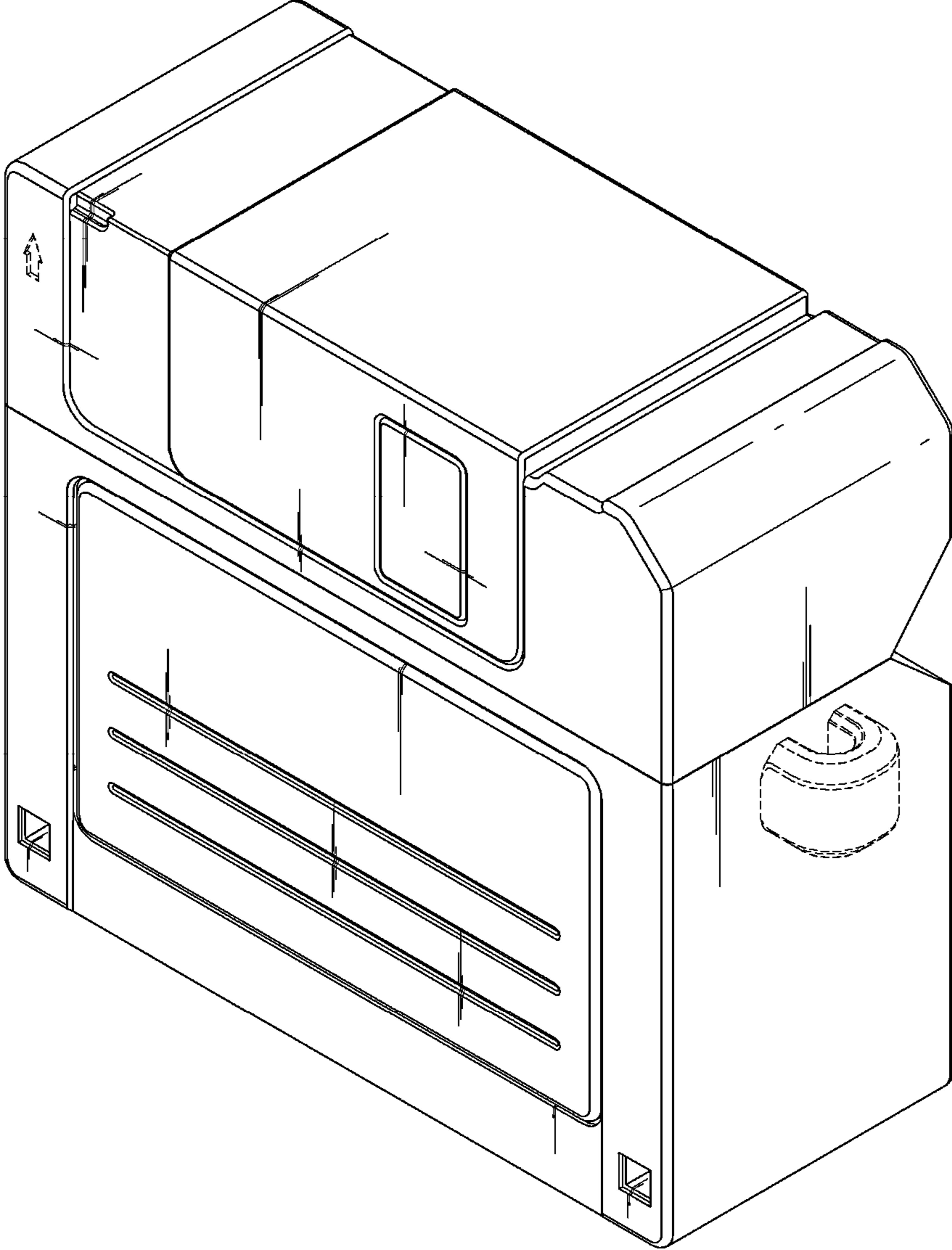


FIG. 9

