



US00D974027S

(12) **United States Design Patent**  
**Li et al.**

(10) **Patent No.:** **US D974,027 S**  
(45) **Date of Patent:** **\*\* Jan. 3, 2023**

- (54) **CHEST PACK**
- (71) Applicant: **Bushnell Inc.**, Overland Park, KS (US)
- (72) Inventors: **Raymon Li**, Guang Zhou (CN);  
**William Hemeyer**, Overland Park, KS (US); **Monte N. Koenigs**, Overland Park, KS (US); **Jeremy Manning**, Overland Park, KS (US)
- (73) Assignee: **Bushnell Inc.**, Overland Park, KS (US)
- (\*\*) Term: **15 Years**
- (21) Appl. No.: **29/764,516**
- (22) Filed: **Dec. 30, 2020**
- (51) **LOC (14) Cl.** ..... **03-01**
- (52) **U.S. Cl.**  
USPC ..... **D3/216**
- (58) **Field of Classification Search**  
USPC ..... D3/214–226, 230–233, 242–244, 254  
CPC .... A45F 3/00; A45F 3/005; A45F 3/02; A45F 3/04; A45F 3/042; A45F 3/047; A45F 3/06; A45F 3/08; A45F 3/10; A45F 2003/001; A45F 2003/002; A45F 2003/003; A45F 2003/006; A45F 2003/007; A45F 2003/008; A45F 2003/025; A45F 2003/045; A45F 2200/00; A45F 2200/05; A45F 2200/0525; A45F 2200/0533  
See application file for complete search history.

(56) **References Cited**  
U.S. PATENT DOCUMENTS

D312,726 S	*	12/1990	Kline	.....	D3/217
D351,061 S	*	10/1994	Coons	.....	D3/226
D428,696 S	*	8/2000	Fier	.....	D3/217
D431,356 S	*	10/2000	Ammerman	.....	D3/217
D455,546 S	*	4/2002	Norman	.....	D3/214
D460,614 S	*	7/2002	Reimers	.....	D3/217
D461,048 S	*	8/2002	Blanking	.....	D3/217
D485,678 S	*	1/2004	Haro	.....	D3/217
D524,042 S	*	7/2006	Lavine	.....	D3/218
D557,496 S	*	12/2007	Gonthier	.....	D3/222
D561,464 S	*	2/2008	Courtney	.....	D3/222
8,132,669 B1		3/2012	Stubel		

D669,257 S \* 10/2012 Hedaya ..... D3/217  
(Continued)

FOREIGN PATENT DOCUMENTS

CN 304867195 \* 10/2018  
CN 307185356 \* 3/2022  
(Continued)

OTHER PUBLICATIONS

Hawke Sport Optics Binocular Harness, available at shop.opticsplanet.com, date not available [online], site visited May 11, 2022, available from the internet URL: <https://shop.opticsplanet.com/hawke-sport-optics-binocular-harness-pro-pack.html>? (Year: 2022).  
(Continued)

*Primary Examiner* — Messina L Smith  
*Assistant Examiner* — Jillian Mazzola  
(74) *Attorney, Agent, or Firm* — Walter M. Egbert, III; Richard J. Brown; Reed Smith LLP

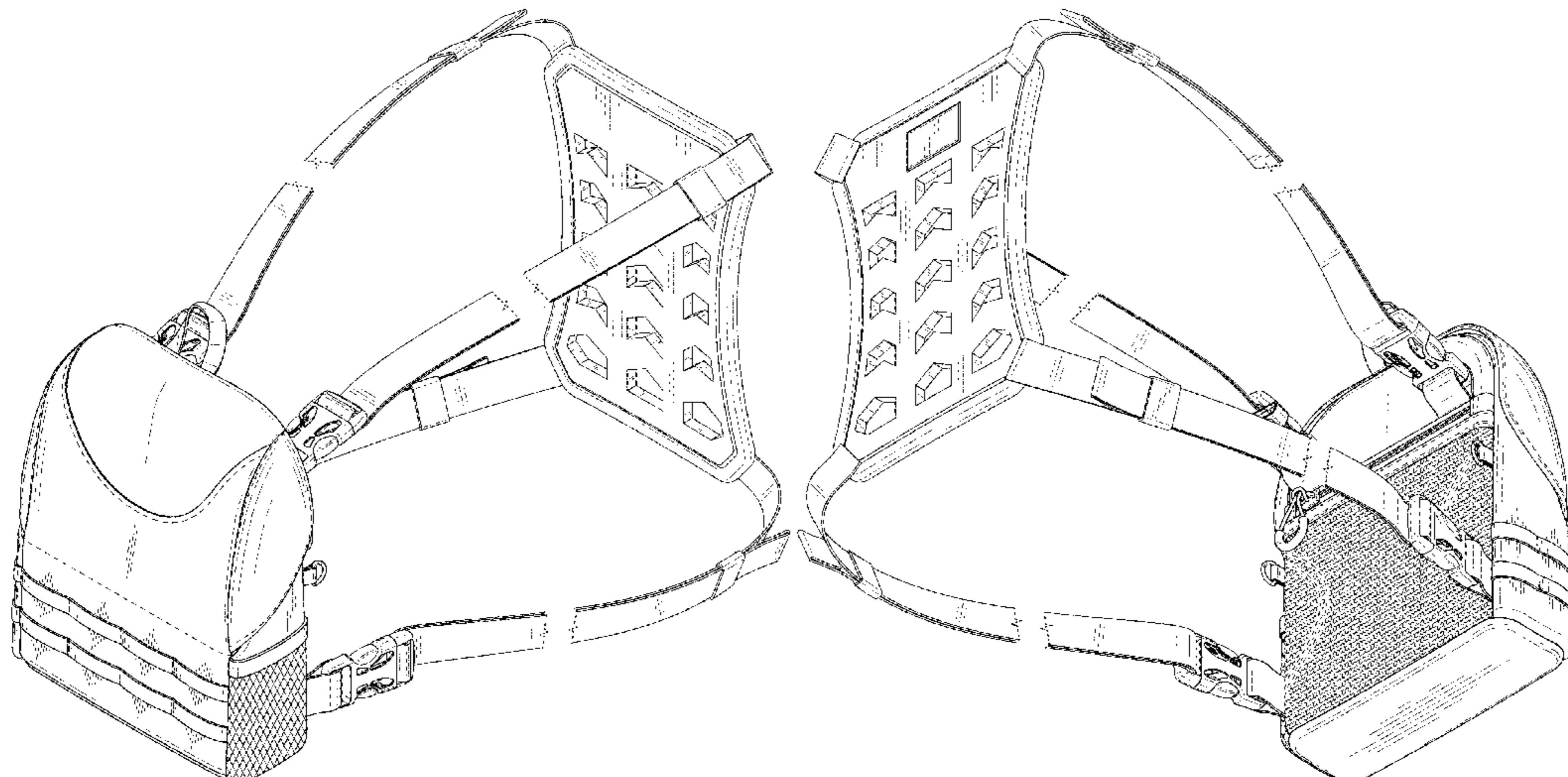
(57) **CLAIM**

The ornamental design for a chest pack, as shown and described.

**DESCRIPTION**

FIG. 1 is a top front right perspective view of a chest pack showing the new design;  
FIG. 2 is a bottom rear left perspective view thereof;  
FIG. 3 is a front elevational view thereof;  
FIG. 4 is a rear elevational view thereof;  
FIG. 5 is a left side view thereof;  
FIG. 6 is a right side view thereof;  
FIG. 7 is a top view thereof; and,  
FIG. 8 is a bottom view thereof.  
The dashed lines on the pack are for environmental purposes only and form no part of the claimed design.  
The broken cut lines on the straps are for environmental purposes only and form no part of the claimed design.

**1 Claim, 8 Drawing Sheets**



(56)

References Cited

U.S. PATENT DOCUMENTS

D685,988	S	*	7/2013	Shepherd	.....	D3/217
D686,818	S	*	7/2013	Shepherd	.....	D3/217
D690,930	S	*	10/2013	Hilliard	.....	D3/223
8,720,681	B1		5/2014	Hancock et al.		
D708,436	S	*	7/2014	Cariglio	.....	D3/218
9,332,822	B2	*	5/2016	Hunt	.....	A45F 5/14
D768,757	S	*	10/2016	Thomas	.....	D16/243
D832,581	S	*	11/2018	Lee	.....	D3/216
D832,582	S	*	11/2018	Lee	.....	D3/216
D851,919	S	*	6/2019	Lee	.....	D3/217
D853,715	S	*	7/2019	Berger	.....	D3/226
D875,386	S	*	2/2020	Lee	.....	D3/217
D895,269	S	*	9/2020	MacDowell	.....	D3/216
D918,575	S	*	5/2021	Verdi	.....	D3/222
2015/0068933	A1		3/2015	Lazzara et al.		

FOREIGN PATENT DOCUMENTS

EM	008196729-0001	*	10/2020
GB	6142764	*	6/2021
JP	D1713681	*	4/2022
KR	301155111.0000	*	3/2022

OTHER PUBLICATIONS

S4 Gear Lockdown X Hands Free Adjustable Binocular Harness, available at amazon.com, earliest date available Aug. 11, 2014

[online], site visited May 11, 2022, available from the internet URL: <https://www.amazon.com/Lockdown-Adjustable-Binocular-Swarovski-Bushnell/dp/B00MS79MIO> (Year: 2014).\*

Harkila Deer Stalker, available at pegandthread.com, date not available [online], site visited May 11, 2022, available from the internet URL: <https://www.pegandthread.com/us/2022-harkila-deer-stalker-20cm-17cm-bino-strap-3801065-willow-green-p-616.html?> (Year: 2022).\*

Kuiu Pro Bino Harness Accessory Options, available at youtube.com, posted Mar. 30, 2021 [online], site visited May 11, 2022, available from the internet URL: <https://www.youtube.com/watch?v=57yLCI9ozCU> (Year: 2021).\*

Leap Outdoors Binocular Harness Chest Pack, available at amazon.com, earliest date available Jun. 3, 2020 [online], site visited May 11, 2022, available from the internet URL: <https://www.amazon.com/Leap-Outdoors-Binocular-Harness-Chest/dp/B089MX1GZT> (Year: 2020).\*

Website: <https://www.badlandsgear.com/products/bino-d-mag?variant=16292670406705>; Dec. 29, 2020.

Website: <https://www.badlandsgear.com/products/bino-xr>; Dec. 29, 2020.

Website: <https://eberlestock.com/products/scout-bino-pack-small>; Dec. 29, 2020.

Website: <https://homhunterpacks.com/product/op-x-combo-bino-hamess-system/>; Dec. 29, 2020.

Website: <https://www.mysteryranch.com/quick-draw-binocular-harness>; Dec. 29, 2020.

\* cited by examiner



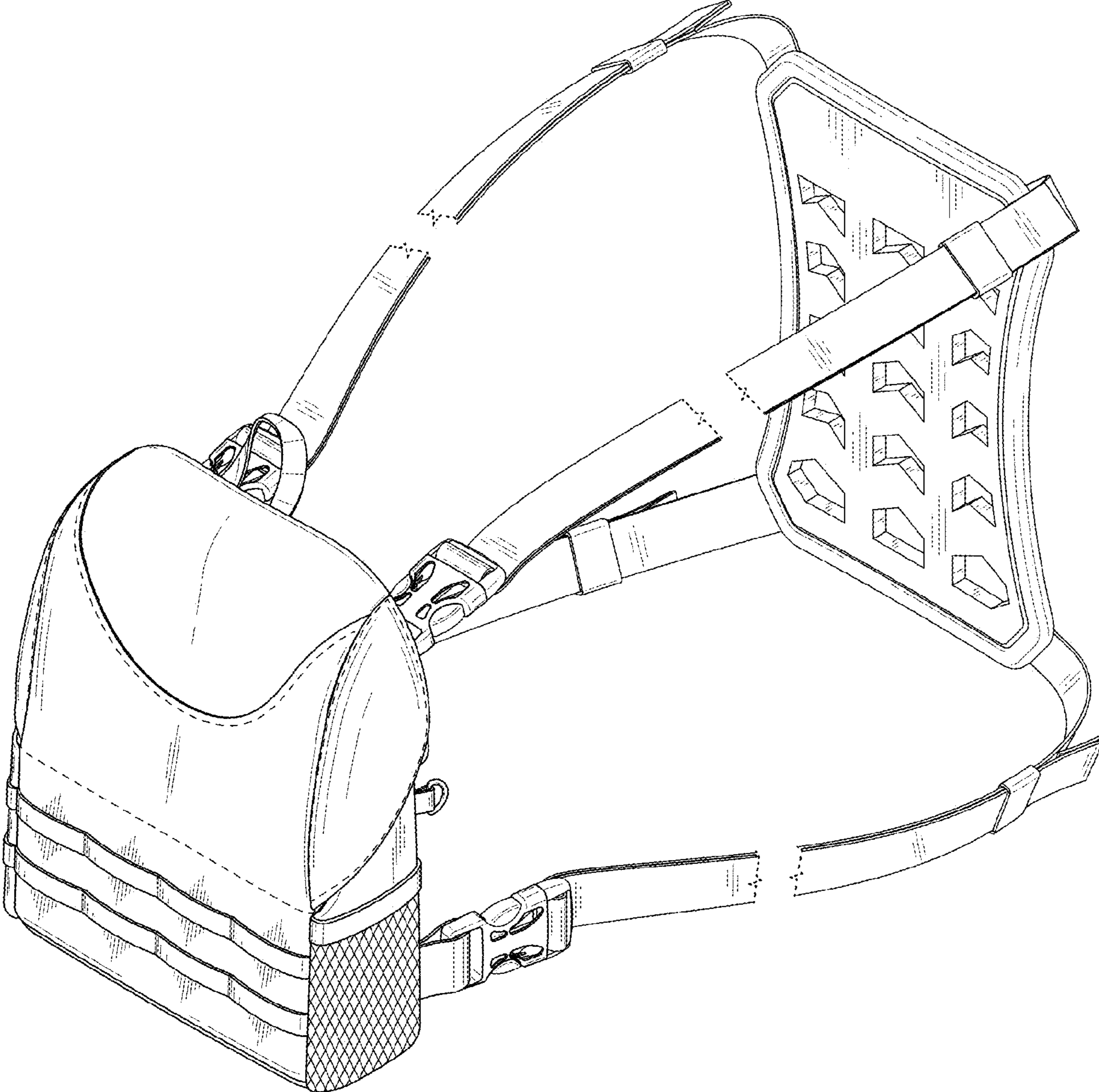


FIG. 1

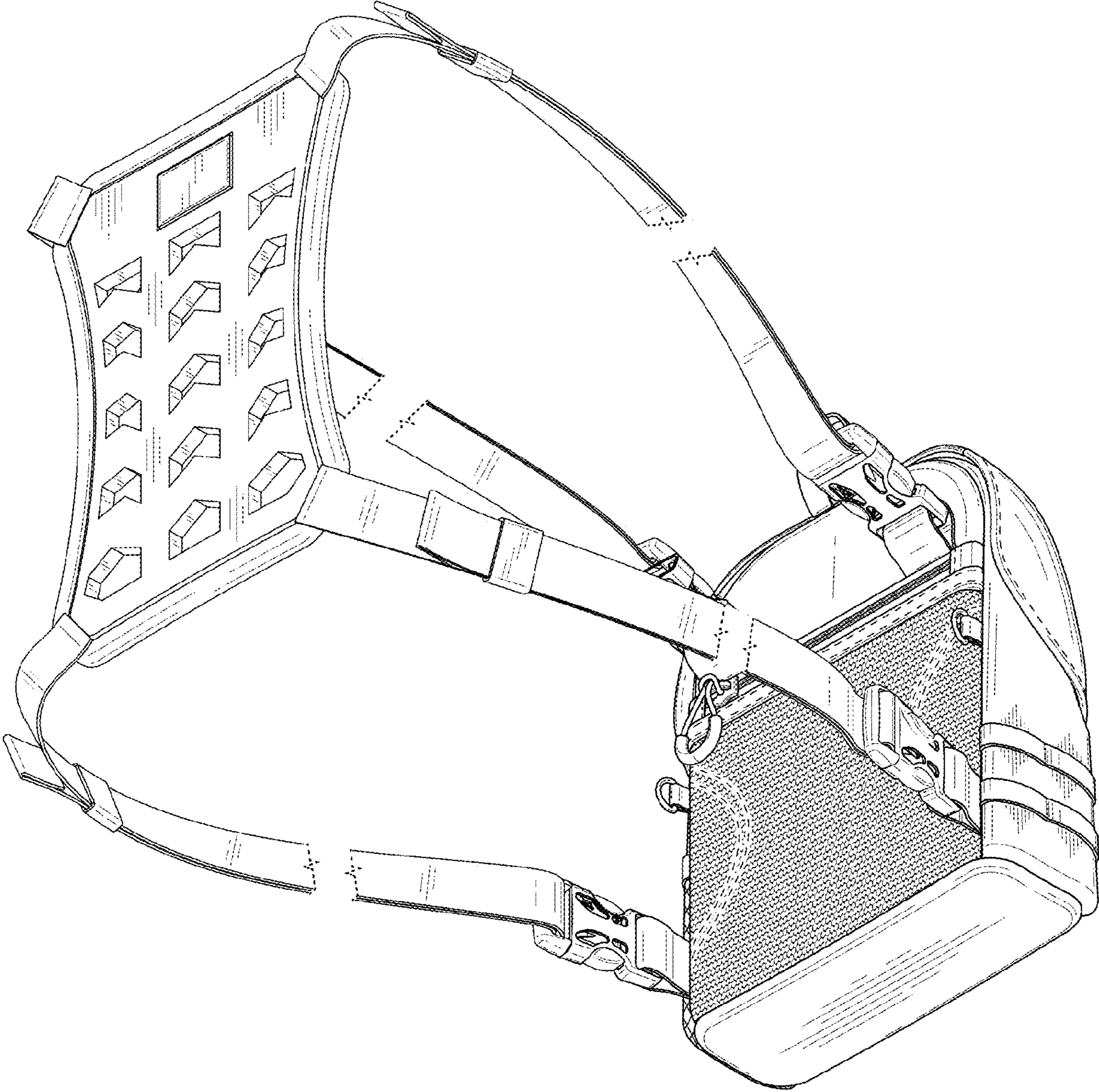


FIG. 2

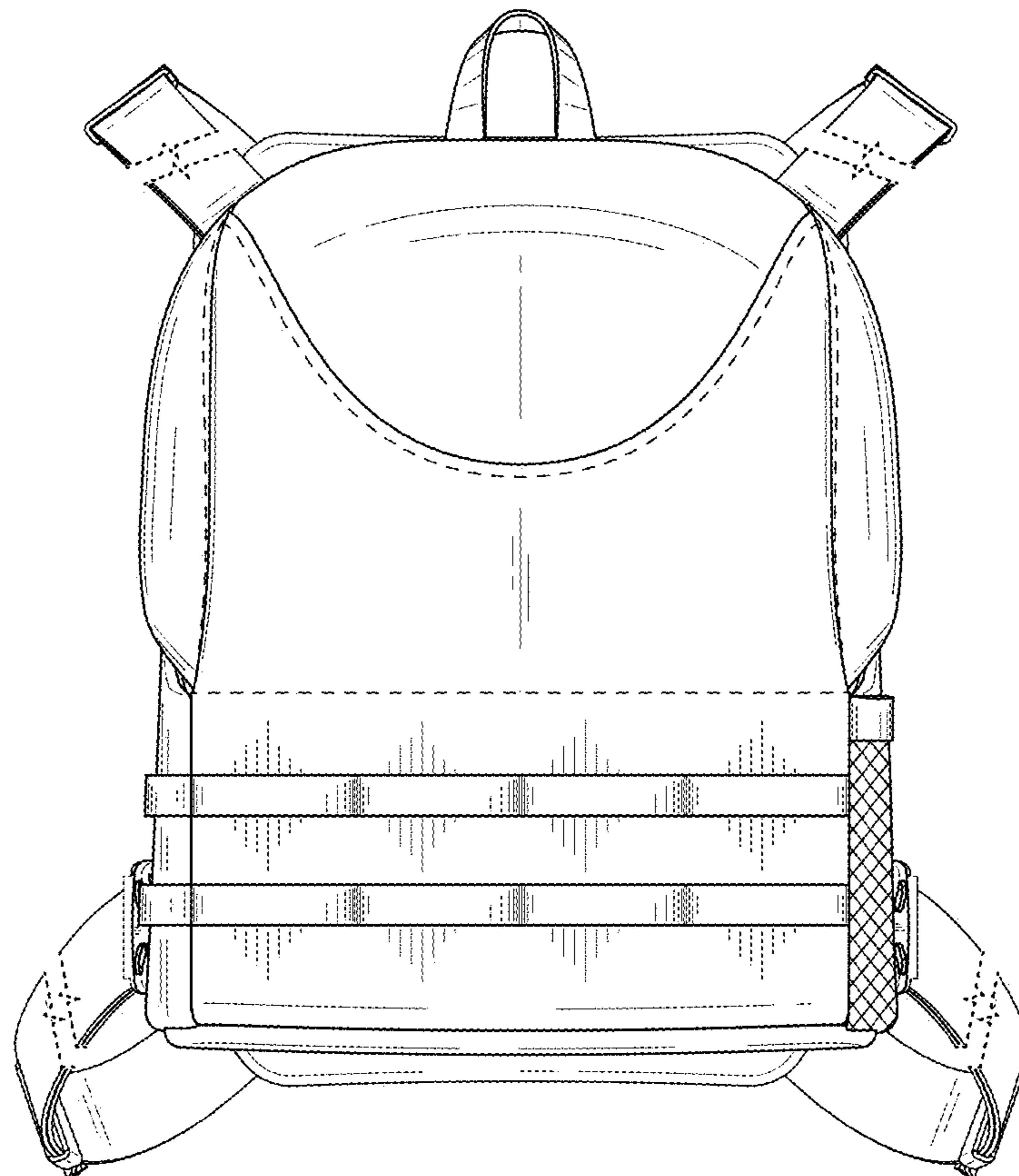


FIG. 3



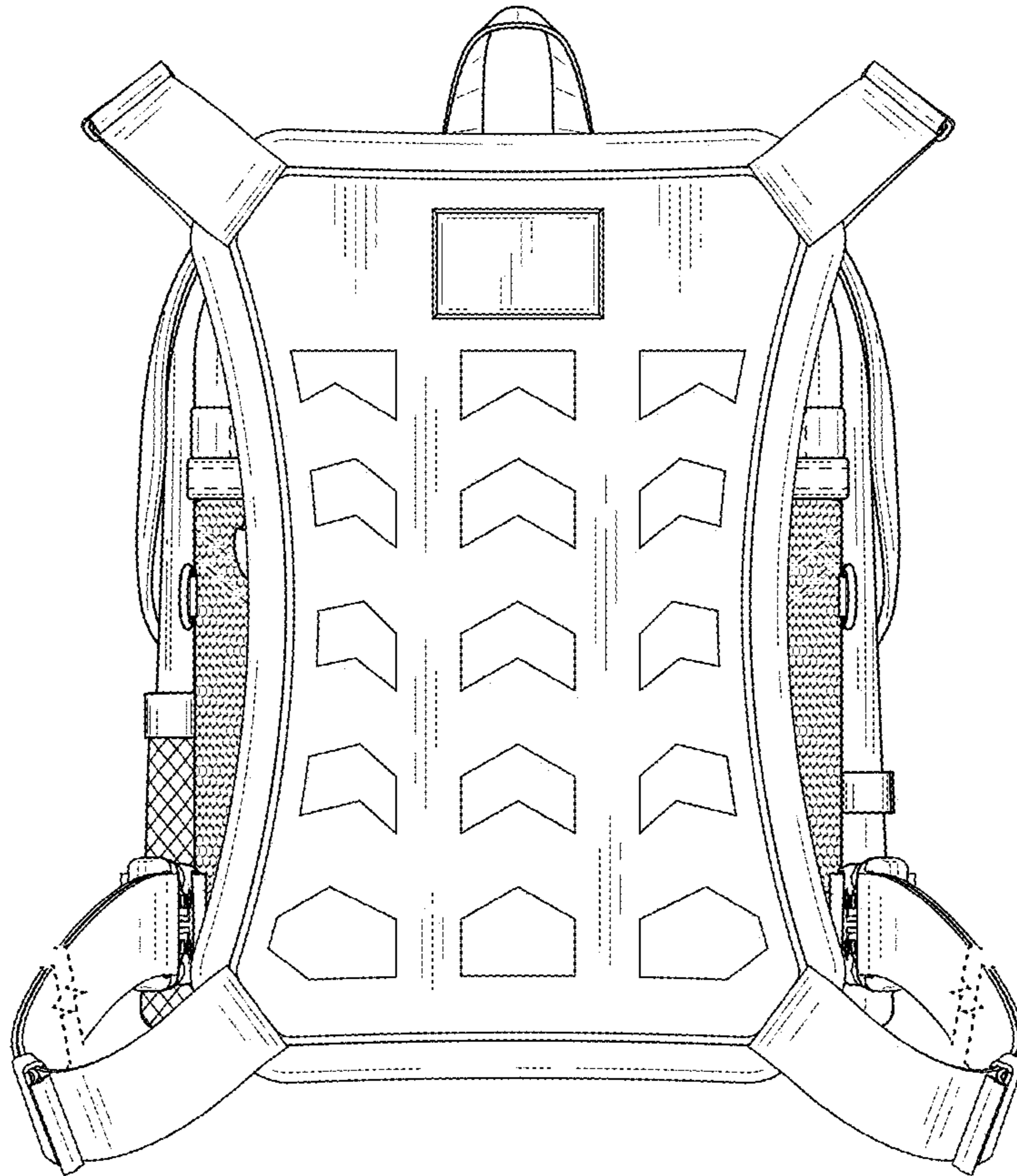


FIG. 4

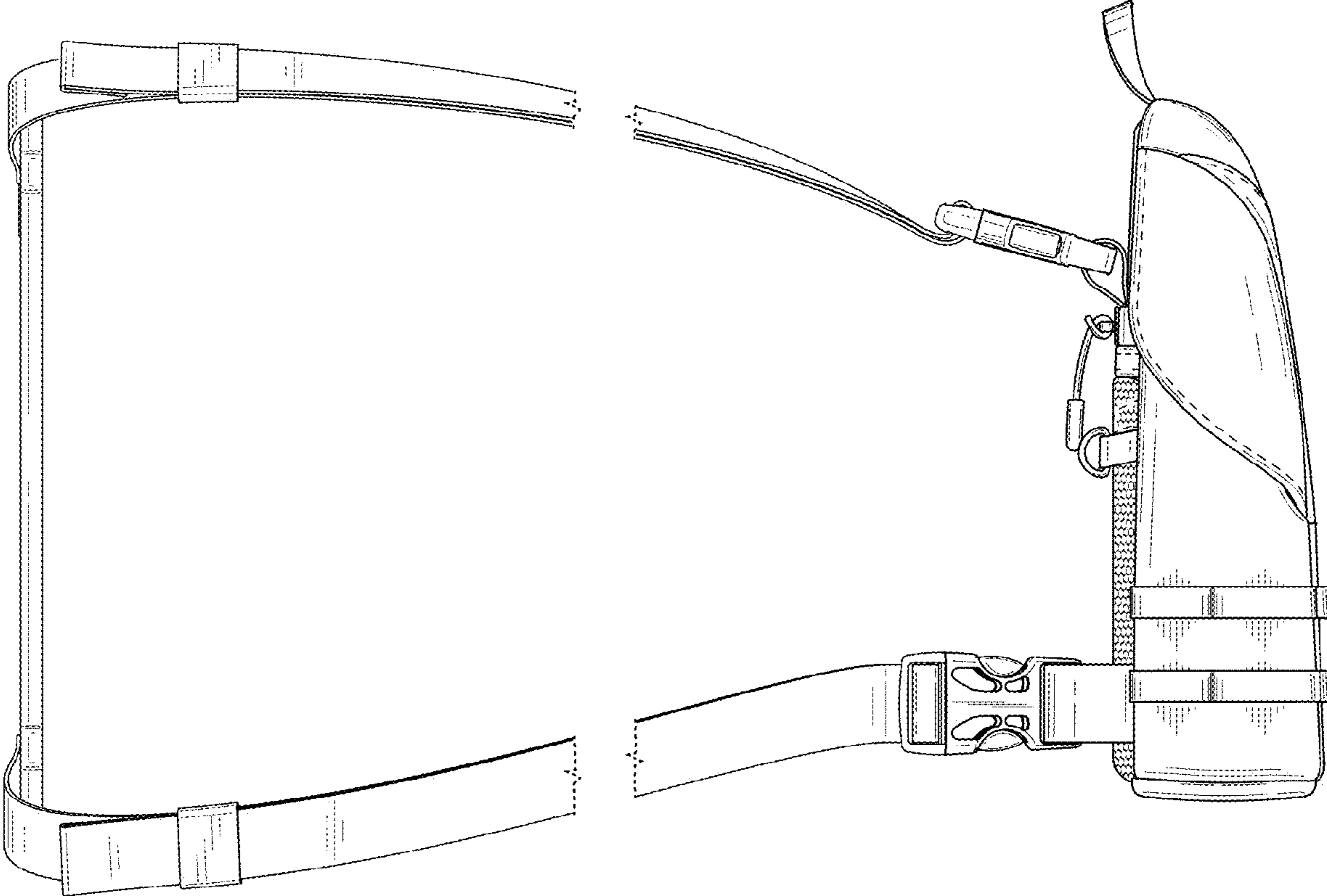


FIG. 5

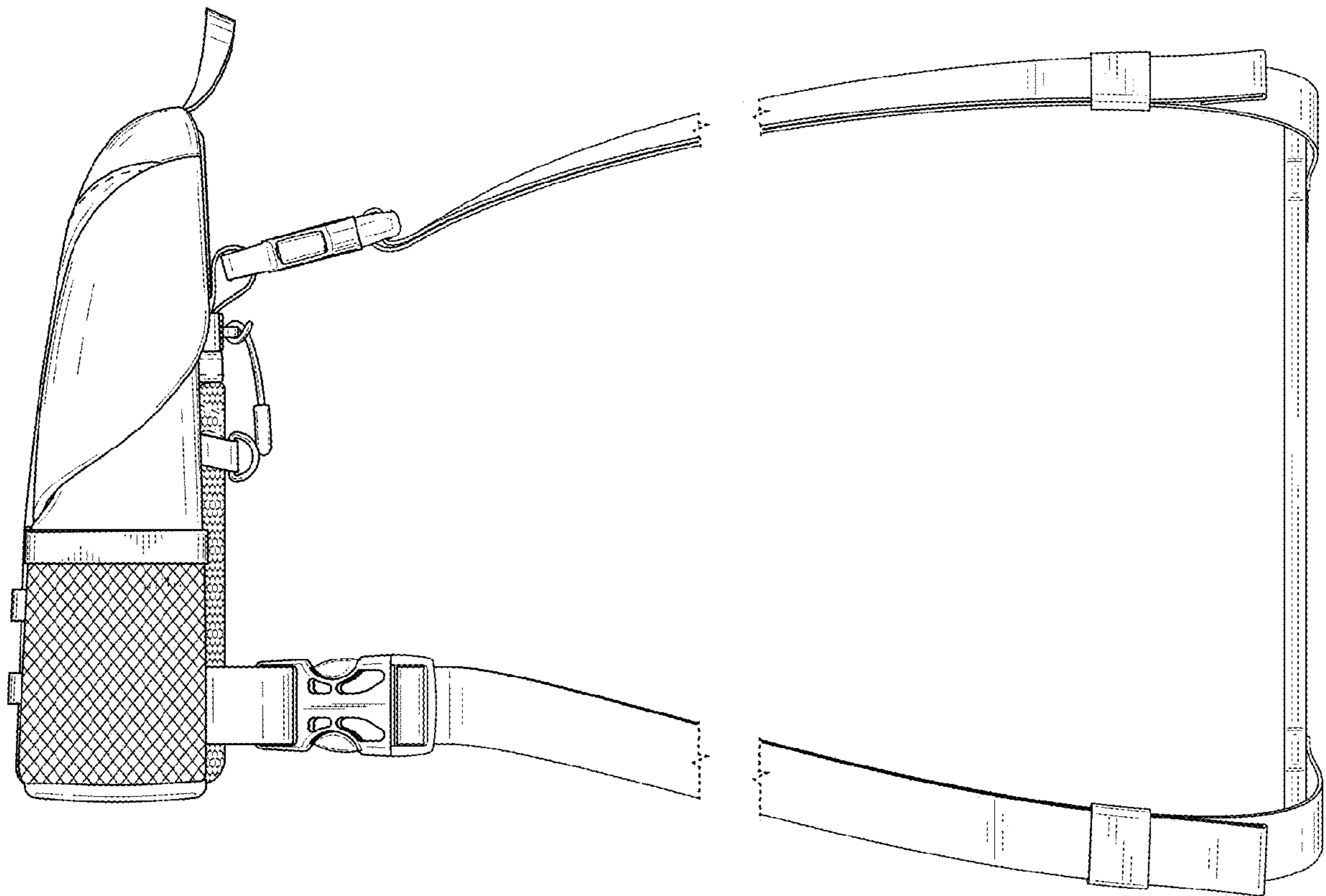


FIG. 6



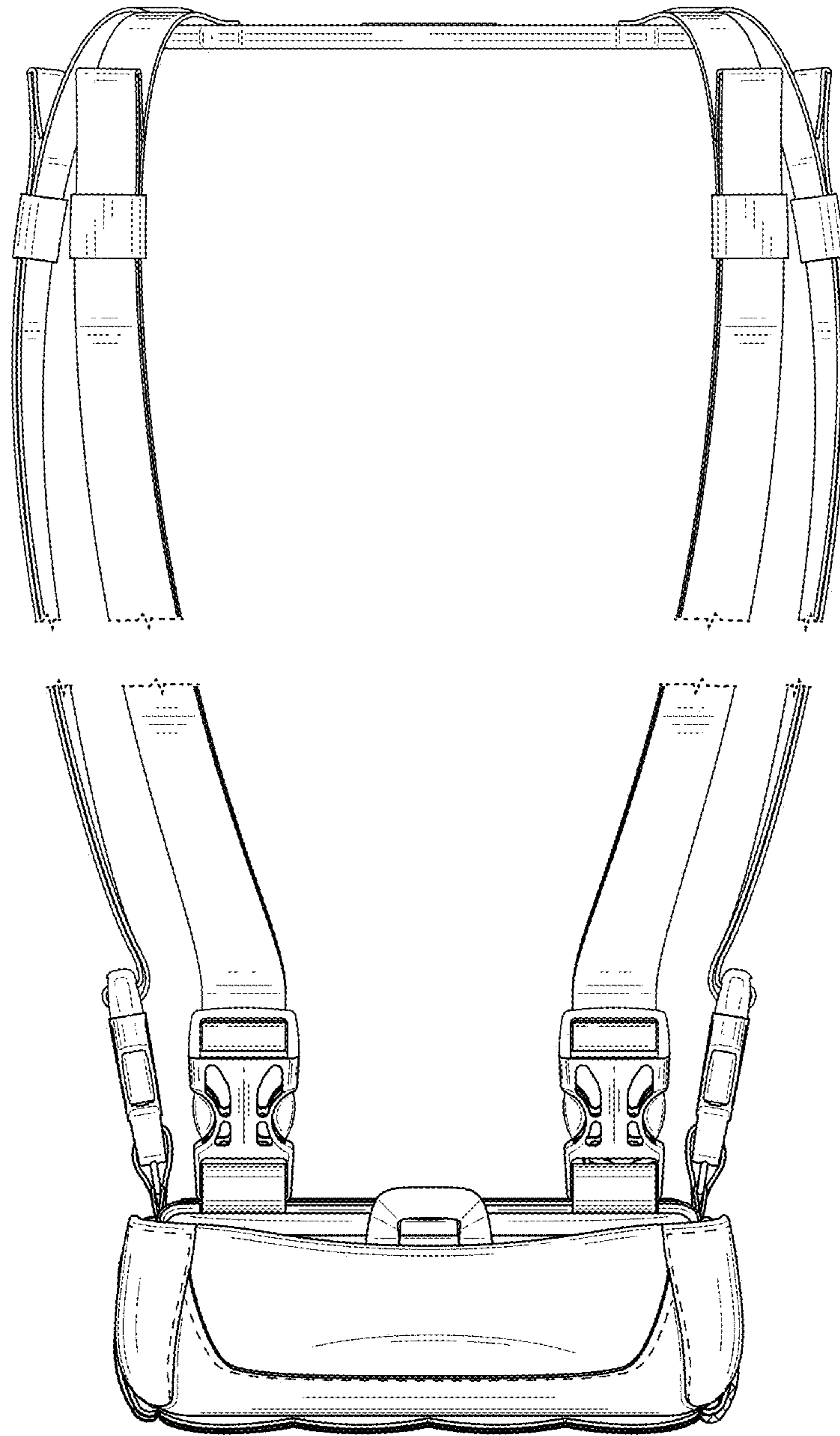


FIG. 7

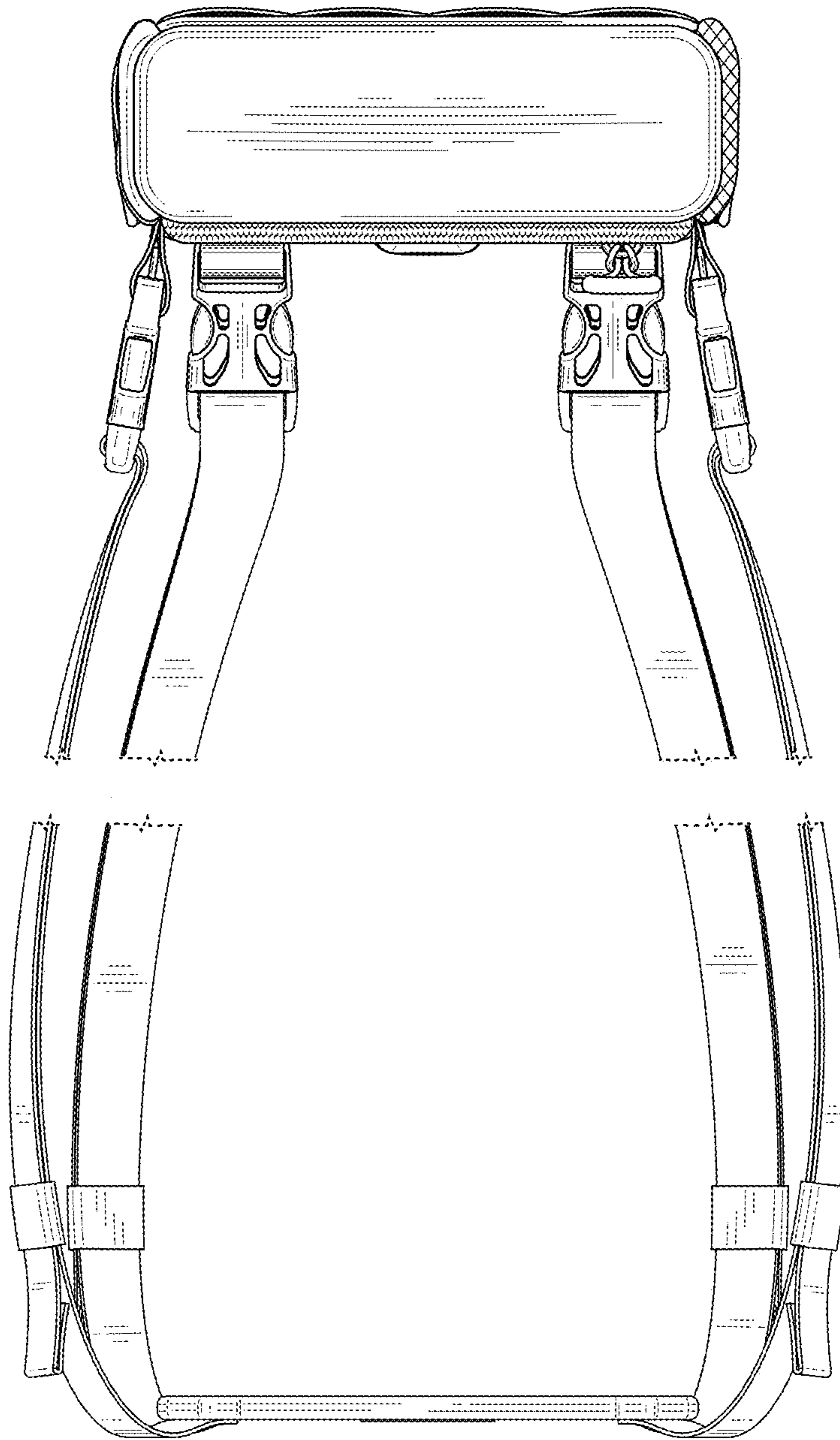


FIG. 8