



US00D974026S

(12) **United States Design Patent**
Feng

(10) **Patent No.:** **US D974,026 S**

(45) **Date of Patent:** **** Jan. 3, 2023**

(54) **BACKPACK**

(71) Applicant: **Hongyue Feng**, Jiangxi (CN)

(72) Inventor: **Hongyue Feng**, Jiangxi (CN)

(73) Assignee: **Shenzhen Yashige Luggage Co., Ltd.**,
Shenzhen (CN)

(**) Term: **15 Years**

(21) Appl. No.: **29/754,458**

(22) Filed: **Oct. 12, 2020**

(51) **LOC (14) Cl.** **03-01**

(52) **U.S. Cl.**
USPC **D3/216**

(58) **Field of Classification Search**
USPC D3/214–226, 230–233, 242–244, 254
CPC A45F 3/00; A45F 3/005; A45F 3/02; A45F
3/04; A45F 3/042; A45F 3/047; A45F
3/06; A45F 3/08; A45F 3/10; A45F
2003/001; A45F 2003/002; A45F
2003/003; A45F 2003/006; A45F
2003/007; A45F 2003/008; A45F
2003/025; A45F 2003/045; A45F
2200/00; A45F 2200/05; A45F
2200/0525; A45F 2200/0533

See application file for complete search history.

(56) **References Cited**

U.S. PATENT DOCUMENTS

D275,622 S *	9/1984	Pierce	D3/217
D358,706 S *	5/1995	Kopel	D3/249
D386,300 S *	11/1997	Kopel	D3/217
D418,972 S *	1/2000	Gold	D3/217
D421,523 S *	3/2000	Freyer	D3/217
D446,008 S *	8/2001	Schulze	D3/217
D446,009 S *	8/2001	Mandell	D3/217
D448,160 S *	9/2001	Sijmons	D3/217
D454,428 S *	3/2002	Hillman	D3/219
D457,306 S *	5/2002	Szyf	D3/217
D469,952 S *	2/2003	Daglow	D3/217

D517,800 S *	3/2006	de Baschmakoff	D3/216
D551,853 S *	10/2007	Smeuninx	D3/217
D642,791 S *	8/2011	Quehl	D3/217
D665,573 S *	8/2012	Crandall	D3/217
D681,324 S *	5/2013	Mohr	D3/217

(Continued)

FOREIGN PATENT DOCUMENTS

CN	306667209	*	7/2021
CN	307091037	*	2/2022

(Continued)

OTHER PUBLICATIONS

Hot Fashion Backpack, available at aliexpress.com, date not available [online], site visited Mar. 17, 2022, available from the internet URL: <https://www.aliexpress.com/item/32812106398.html>? (Year: 2022).*

(Continued)

Primary Examiner — Messina L Smith

Assistant Examiner — Jillian Mazzola

(57) **CLAIM**

The ornamental design for a backpack, as shown and described.

DESCRIPTION

FIG. 1 is a perspective view of a backpack showing my new design;
FIG. 2 is a front elevational view thereof;
FIG. 3 is a rear elevational view thereof;
FIG. 4 is a left side elevational view thereof;
FIG. 5 is a right side elevational view thereof;
FIG. 6 is a top plan view thereof; and,
FIG. 7 is a bottom plan view thereof.
The broken lines throughout the drawing figures depict portions of the backpack that form no part of the claimed design.

1 Claim, 7 Drawing Sheets



(56)

References Cited

U.S. PATENT DOCUMENTS

D714,541	S	*	10/2014	Anderson	D3/217
D742,631	S	*	11/2015	Kim	D3/217
D745,264	S	*	12/2015	Ford	D3/216
D762,059	S	*	7/2016	Kliot	D3/217
D787,816	S	*	5/2017	Slimane	D3/217
D799,815	S	*	10/2017	Tong	D3/217
D841,318	S	*	2/2019	Carter	D3/217
D859,818	S	*	9/2019	Wu	D3/217
D885,043	S	*	5/2020	Lu	D3/217
D893,169	S	*	8/2020	Jais	D3/217
D899,767	S	*	10/2020	Bloom	D3/216
D912,976	S	*	3/2021	Breines	D3/217
D917,159	S	*	4/2021	Burkett	D3/217
D922,061	S	*	6/2021	Tan	D3/904
D923,327	S	*	6/2021	Wen	D3/217
D925,907	S	*	7/2021	Baires	D3/217
D945,768	S	*	3/2022	He	D3/217
2008/0011799	A1	*	1/2008	Chang	A45F 3/00 224/576

FOREIGN PATENT DOCUMENTS

CN	307098070	*	2/2022
GB	6173852	*	11/2021
RU	00120289	*	6/2020

OTHER PUBLICATIONS

FORICH Insulated Cooler Backpack, available at amazon.com, earliest date available Nov. 29, 2019 [online], site visited Mar. 17, 2022, available from the internet URL: <https://www.amazon.com/FORICH-Insulated-Backpack-Lightweight-Compartment/dp/B0825NJSJX?th=1> (Year: 2019).*

AmazonBasics Tool Bag Backpack, available at amazon.com, earliest customer review date Jun. 6, 2020 [online], site visited Mar. 17, 2022, available from the internet URL: <https://www.amazon.in/AmazonBasics-Tool-Bag-Backpack-Pocket/dp/B079YQPPW2> (Year: 2020).*

23 Pocket Backpack, available at m.made-in-china.com, date not available [online], site visited Mar. 17, 2022, available from the internet URL: <https://m.made-in-china.com/product/Durable-Adjustable-23-Pocket-Backpack-Tool-Bag-with-3-Pocket-Front-885500375.html> (Year: 2022).*

Bruce Wayne Backpack, available at shop.bioworldmerch.com, date not available [online], site visited Mar. 17, 2022, available from the internet URL: <https://shop.bioworldmerch.com/dc-comics-bruce-wayne-backpack-with-removable-front-pouch> (Year: 2022).*

* cited by examiner

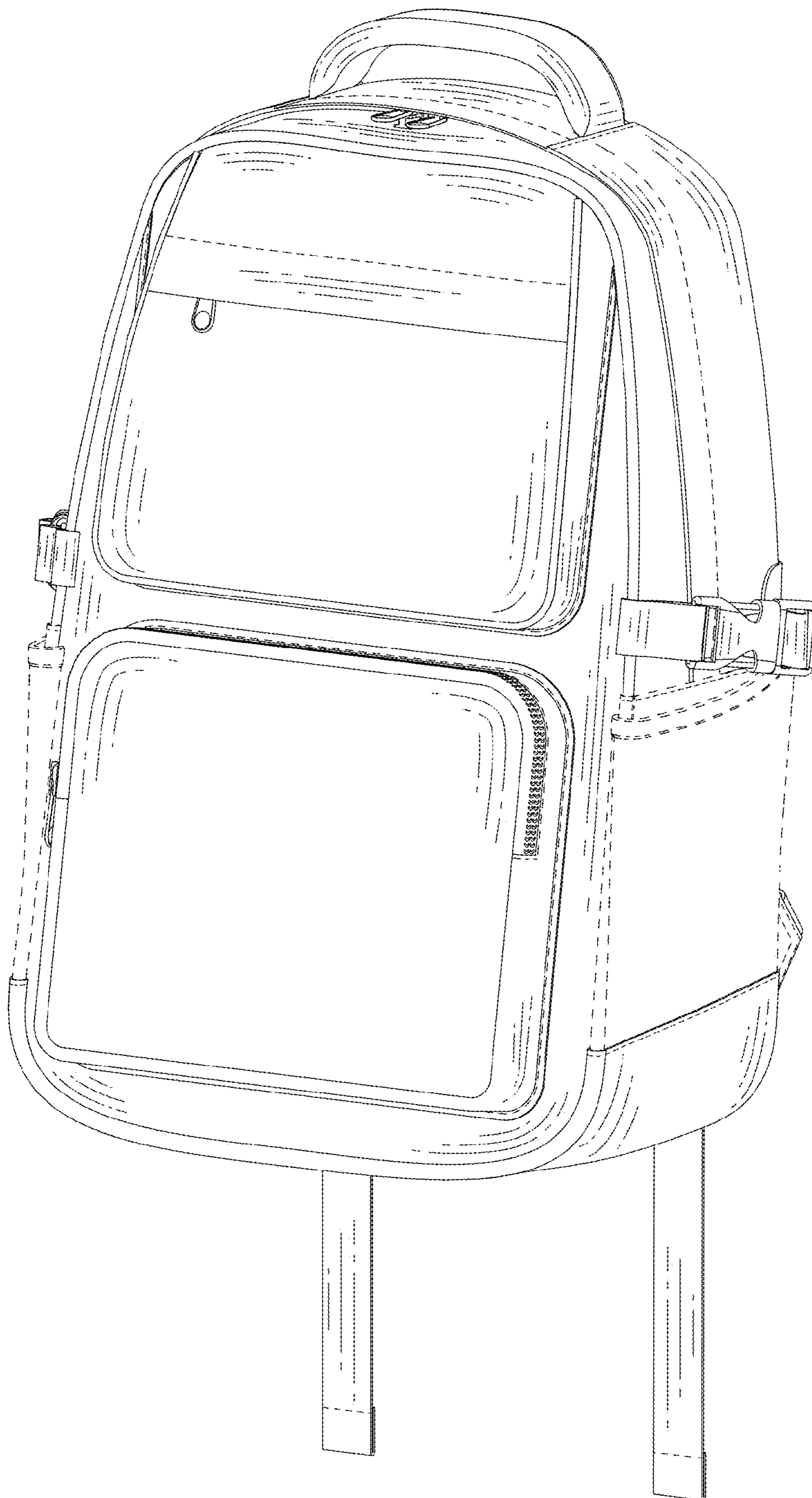


FIG. 1



FIG. 2

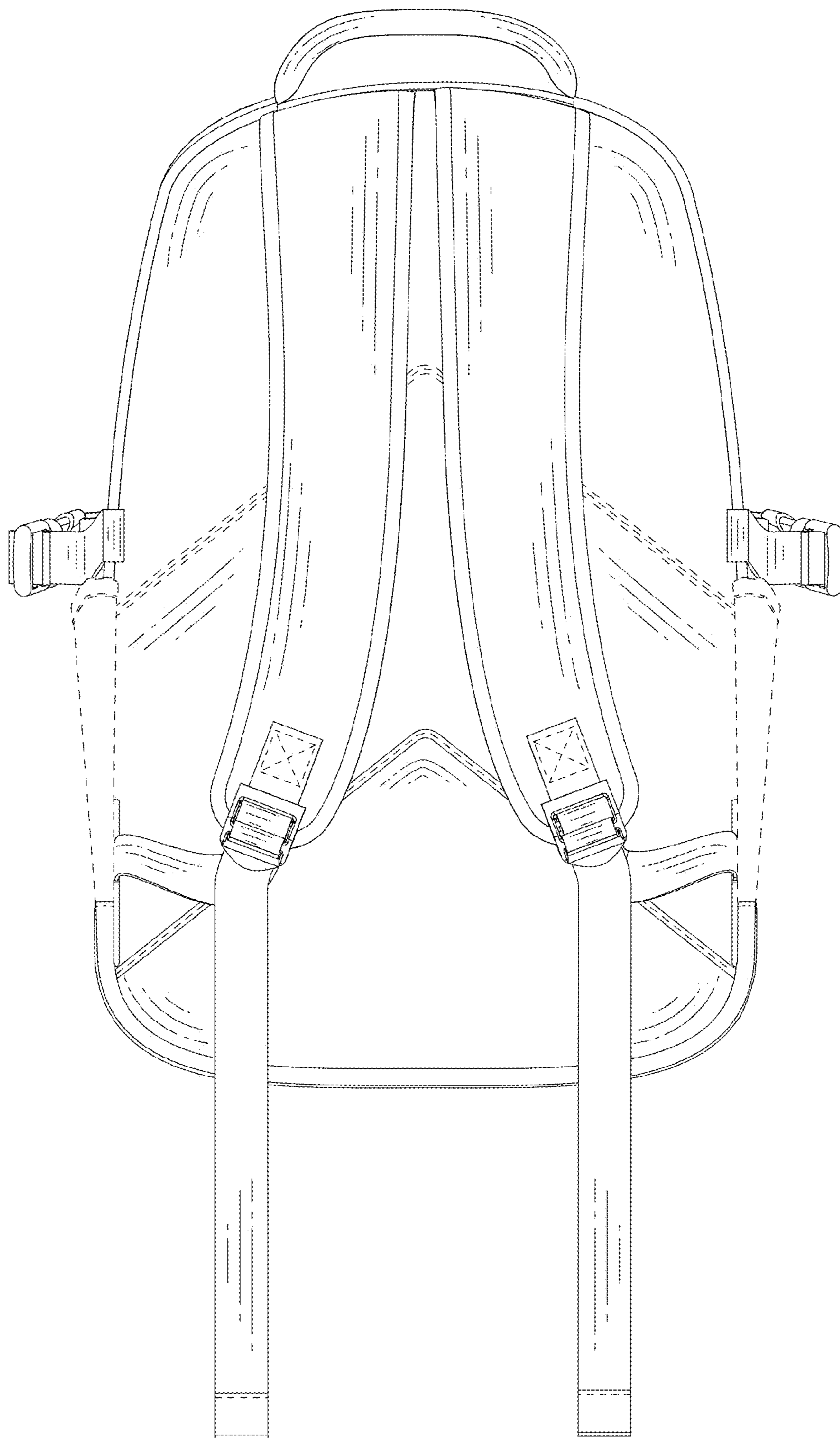


FIG. 3

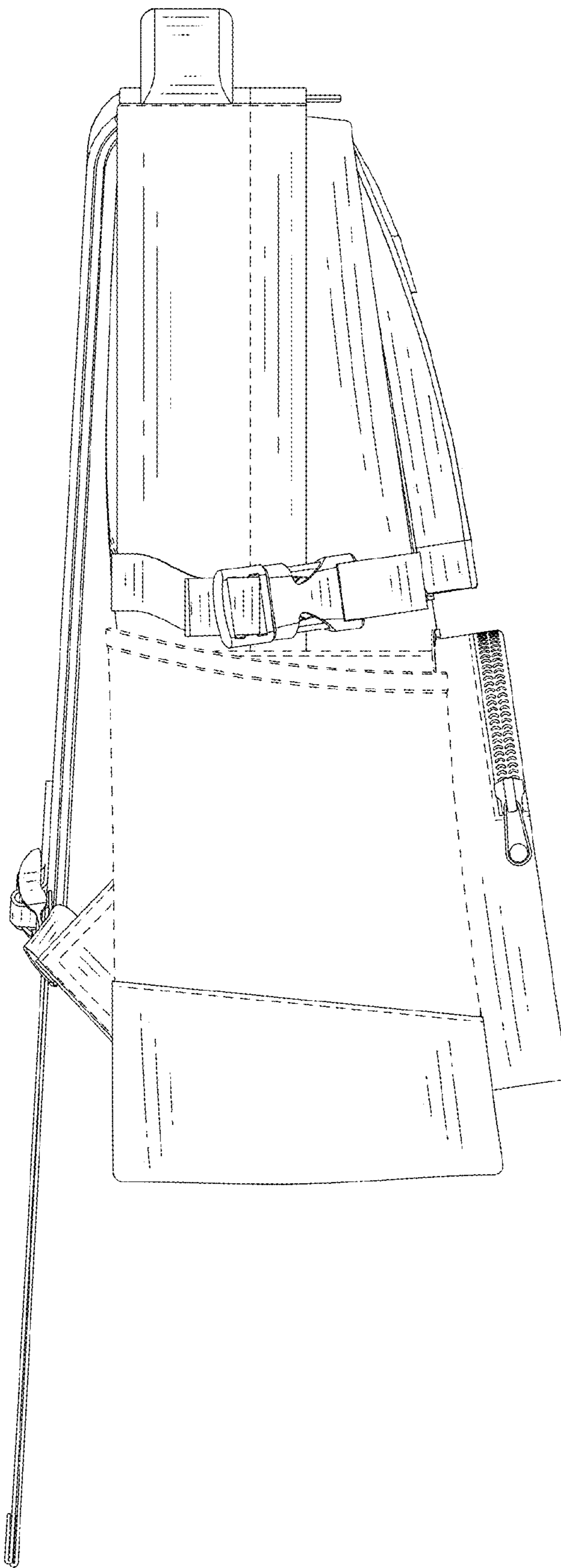


FIG. 4

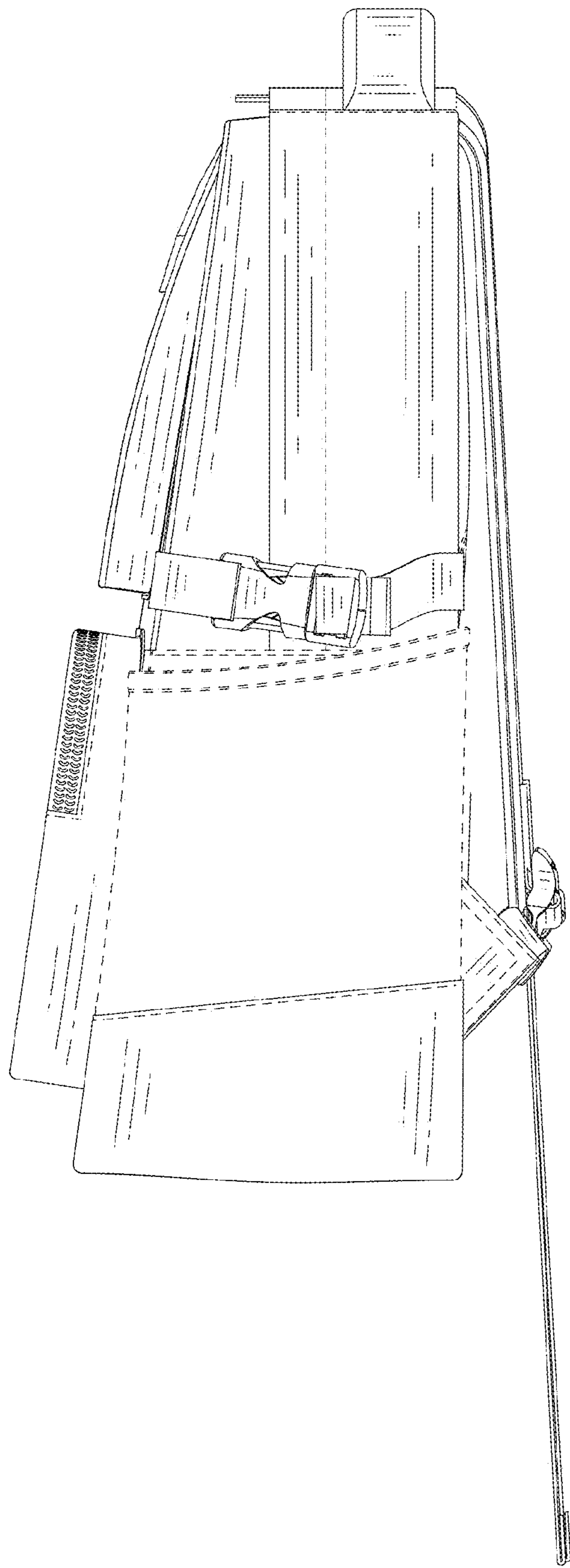


FIG. 5

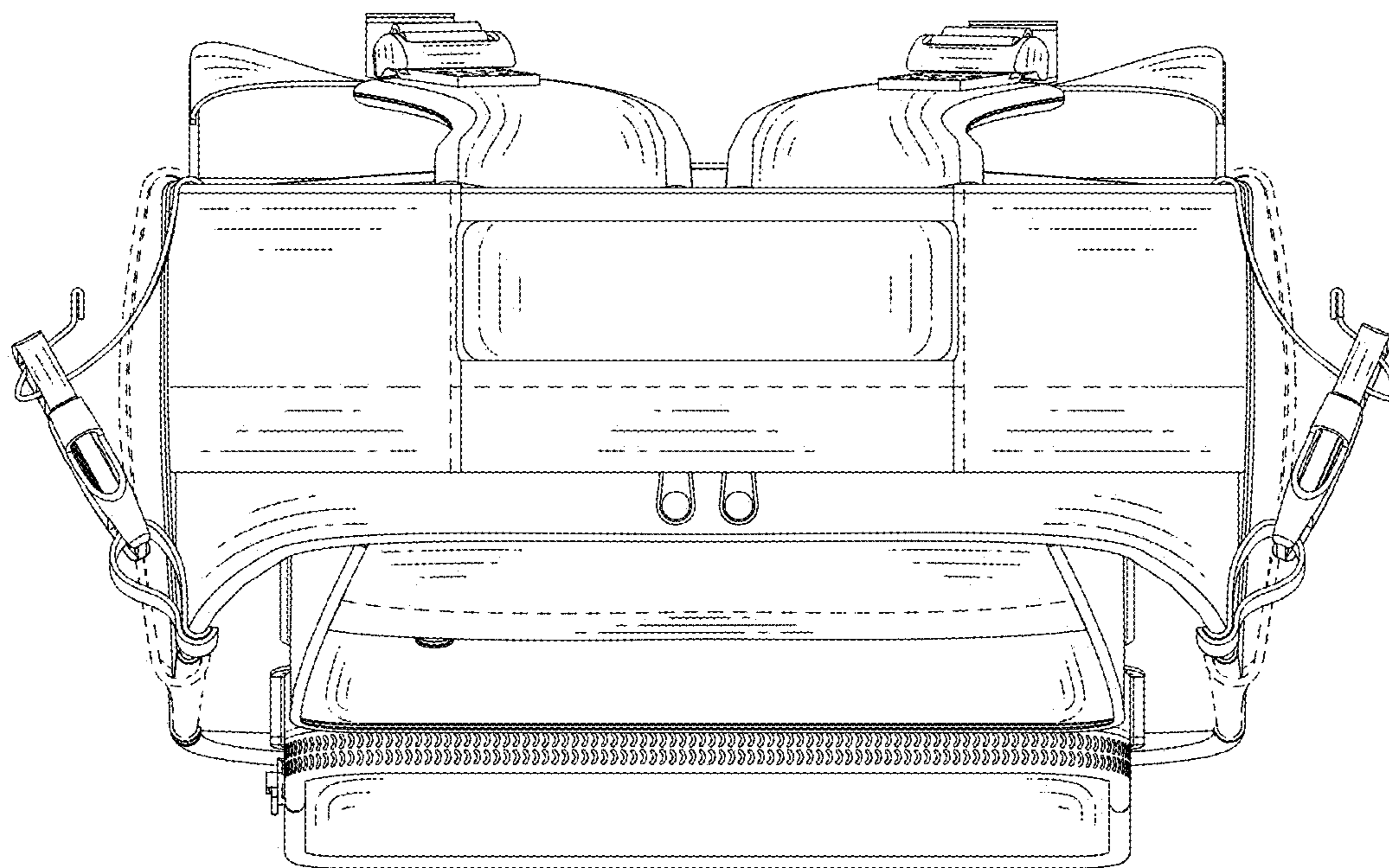


FIG. 6

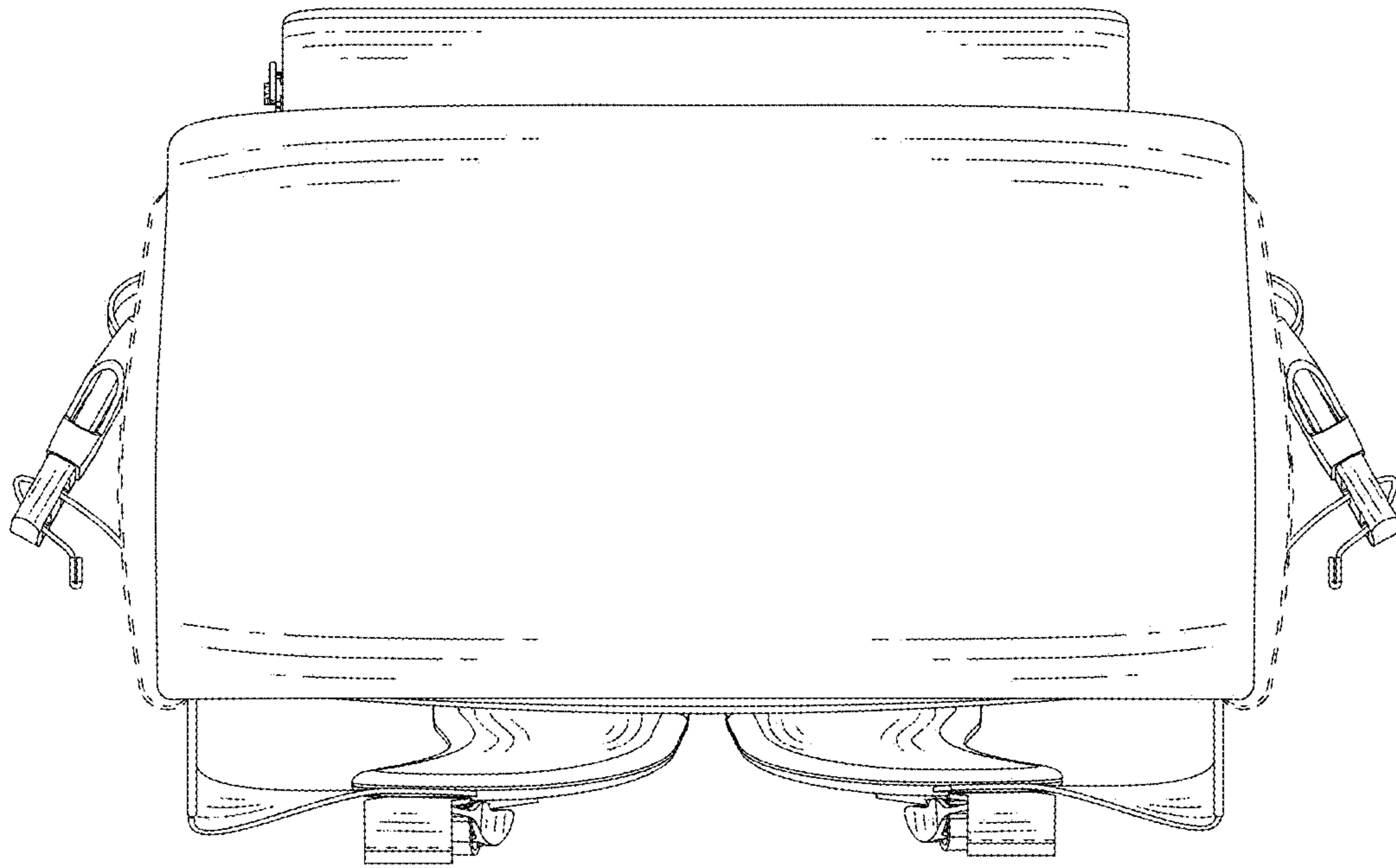


FIG. 7