



US00D974009S

(12) **United States Design Patent**
Radabaugh

(10) **Patent No.:** **US D974,009 S**
(45) **Date of Patent:** **** Jan. 3, 2023**

(54) **OUTSOLE FOR FOOTWEAR**

(71) Applicant: **Vionic Group LLC**, San Rafael, CA
(US)

(72) Inventor: **Scott Radabaugh**, Mill Valley, CA
(US)

(73) Assignee: **Vionic Group LLC**, San Rafael, CA
(US)

(**) Term: **15 Years**

(21) Appl. No.: **29/711,322**

(22) Filed: **Oct. 30, 2019**

(51) **LOC (14) Cl.** **02-04**

(52) **U.S. Cl.**
USPC **D2/947; D2/951; D2/957; D2/960**

(58) **Field of Classification Search**
USPC **D2/902, 906, 908, 916, 918, 925,**
D2/946-962, 977; 36/1, 1.5, 3 B, 22 R,
(Continued)

(56) **References Cited**

U.S. PATENT DOCUMENTS

D291,147 S * 8/1987 Kelley 36/32 R
D291,941 S * 9/1987 Peterson D2/957
(Continued)

OTHER PUBLICATIONS

Trent Sneaker, VionicShoes.com, [online], [site visited Dec. 16, 2020]. <URL: <https://www.vionicshoes.com/trent-sneaker.html?76=749>> (Year: 2020).*

(Continued)

Primary Examiner — Jonathan J Han

(74) *Attorney, Agent, or Firm* — Reed Smith LLP; Nina Habib Borders

(57) **CLAIM**

The ornamental design for an outsole for footwear, as shown and described.

DESCRIPTION

The color gray shown on the claimed design in FIGS. 9-10, 12, 13-16 forms no part thereof.

FIG. 1 is a first perspective view of my ornamental design for an outsole for footwear;

FIG. 2 is a second perspective view thereof;

FIG. 3 is a top view thereof;

FIG. 4 is a bottom view thereof;

FIG. 5 is a left side view thereof;

FIG. 6 is a right side view thereof;

FIG. 7 is a front view thereof;

FIG. 8 is a rear view thereof;

FIG. 9 is a first perspective view of a second embodiment of my ornamental design for an outsole for footwear;

FIG. 10 is a second perspective view of the embodiment shown in FIG. 9;

FIG. 11 is top view of the embodiment shown in FIG. 9;

FIG. 12 is bottom view of the embodiment shown in FIG. 9;

FIG. 13 is a right side view of the embodiment shown in FIG. 9;

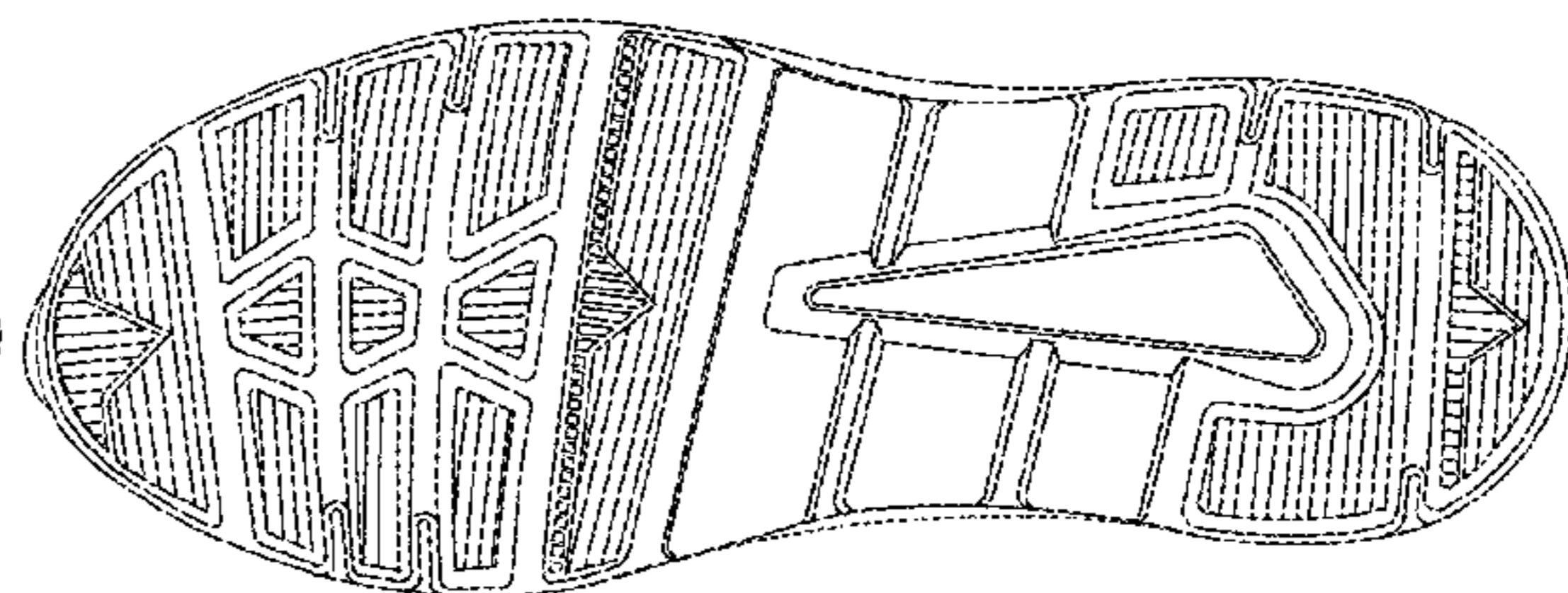
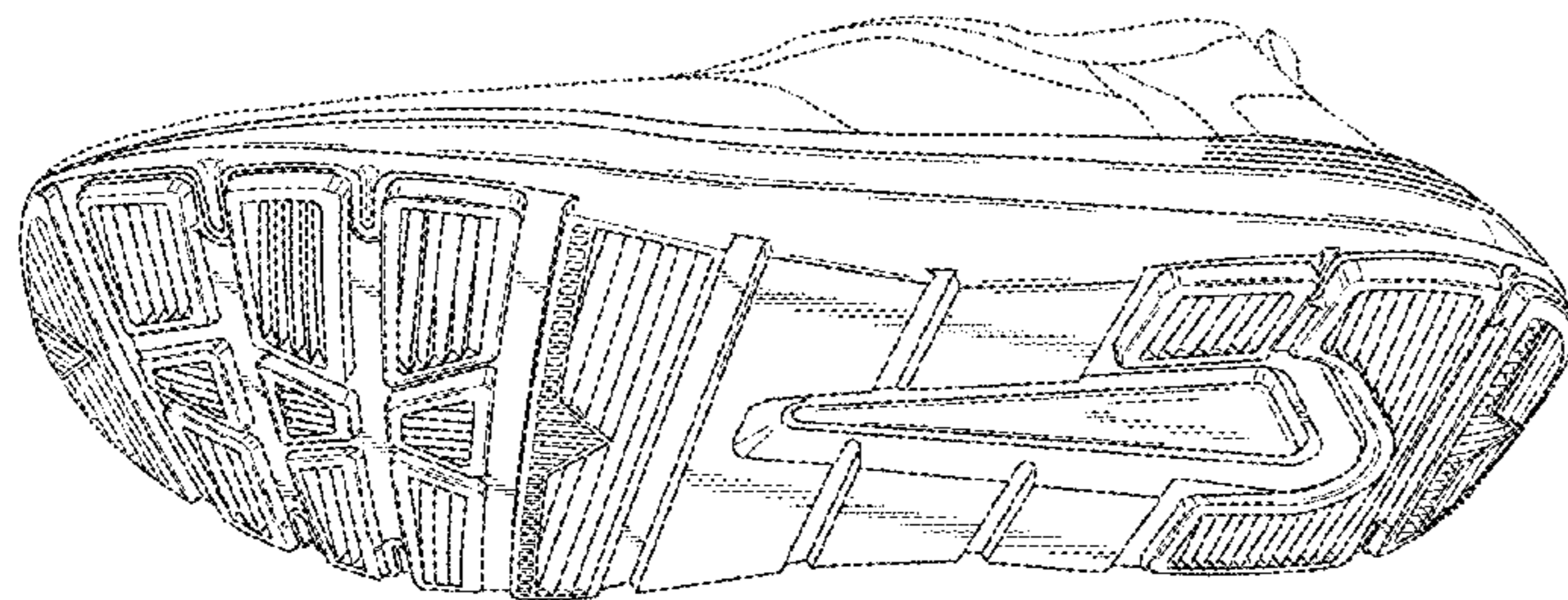
FIG. 14 is a left side view of the embodiment shown in FIG. 9;

FIG. 15 is a front view of the embodiment shown in FIG. 9;

and, FIG. 16 is a rear view of the embodiment shown in FIG. 9.

The gray color shown on portions of the outsole in FIGS. 9, 10, 12, and 13-16 is included as shading to illustrate contrast between the heel, toe, and middle portion of the outsole, but the gray color forms no part of the claimed design. The broken lines in the drawings show environment that forms no part of the claim design.

1 Claim, 6 Drawing Sheets



(58) **Field of Classification Search**

USPC ... 36/24.5, 25 R, 28, 32 R, 34 R, 590, 67 A,
 36/101–107, 114–116, 117.3, 117.4,
 36/124–136
 CPC A43B 13/00; A43B 13/02; A43B 13/023;
 A43B 13/026; A43B 13/04; A43B 13/08;
 A43B 13/10; A43B 13/12; A43B 13/14;
 A43B 13/141; A43B 13/143; A43B
 13/16; A43B 13/18; A43B 13/181; A43B
 13/187; A43B 13/189; A43B 13/20; A43B
 13/22; A43B 13/223; A43B 13/24; A43B
 13/28; A43B 13/30; A43B 13/32; A43B
 13/34; A43B 13/36

See application file for complete search history.

D584,887 S *	1/2009	Earle	D2/951
D593,290 S *	6/2009	Chen	D2/951
D594,194 S *	6/2009	Butler	D2/951
D600,895 S *	9/2009	Morgan	D2/951
D655,902 S *	3/2012	Debiase	D2/957
D656,304 S *	3/2012	Debiase	D2/960
D662,695 S *	7/2012	McVicker	D2/902
D688,035 S *	8/2013	Recchi	D2/957
D712,128 S *	9/2014	Zaedow	D2/960
D754,424 S *	4/2016	Spring	D2/960
D831,319 S *	10/2018	Vasyli	D2/960
D859,793 S *	9/2019	Vasyli	D2/907
D862,060 S *	10/2019	Weeks	D2/957
D862,061 S *	10/2019	Wilkinson	D2/960
D868,435 S *	12/2019	Wu	D2/910
D876,782 S *	3/2020	Fontaine	D2/960
D885,736 S *	6/2020	Radabaugh	D2/960
D891,061 S *	7/2020	Nelson	D2/957
D894,564 S *	9/2020	Lopez Cali	D2/957

(56) **References Cited**

U.S. PATENT DOCUMENTS

D292,540 S *	11/1987	Cheskin	D2/959
D296,151 S *	6/1988	Mourad	D2/960
D297,885 S *	10/1988	Tong	D2/954
D297,981 S *	10/1988	Gerber	D2/960
D299,681 S *	2/1989	Miller	D2/957
D301,936 S *	7/1989	Swett	D2/956
D305,278 S *	1/1990	Kiyosawa	D2/954
D317,827 S *	7/1991	Austin	D2/957
D501,708 S *	2/2005	Andrews-Kramer	D2/953
D503,522 S *	4/2005	Schoenborn	D2/952

OTHER PUBLICATIONS

Big Bobby Work Boots, DryShodUSA.com, [online], [site visited Dec. 16, 2020]. <URL: <https://dryshodusa.com/product/big-bobby/>> (Year: 2020).*

Hoka One One Evo Speedgoat Outsole, BelieveInTheRun.com, [online], [site visited Dec. 16, 2020]. <URL: <https://www.believeintherun.com/2019/09/09/hoka-one-one-evo-speedgoat-review/hoka-one-one-evo-speedgoat-outsole/>> (Year: 2020).*

* cited by examiner

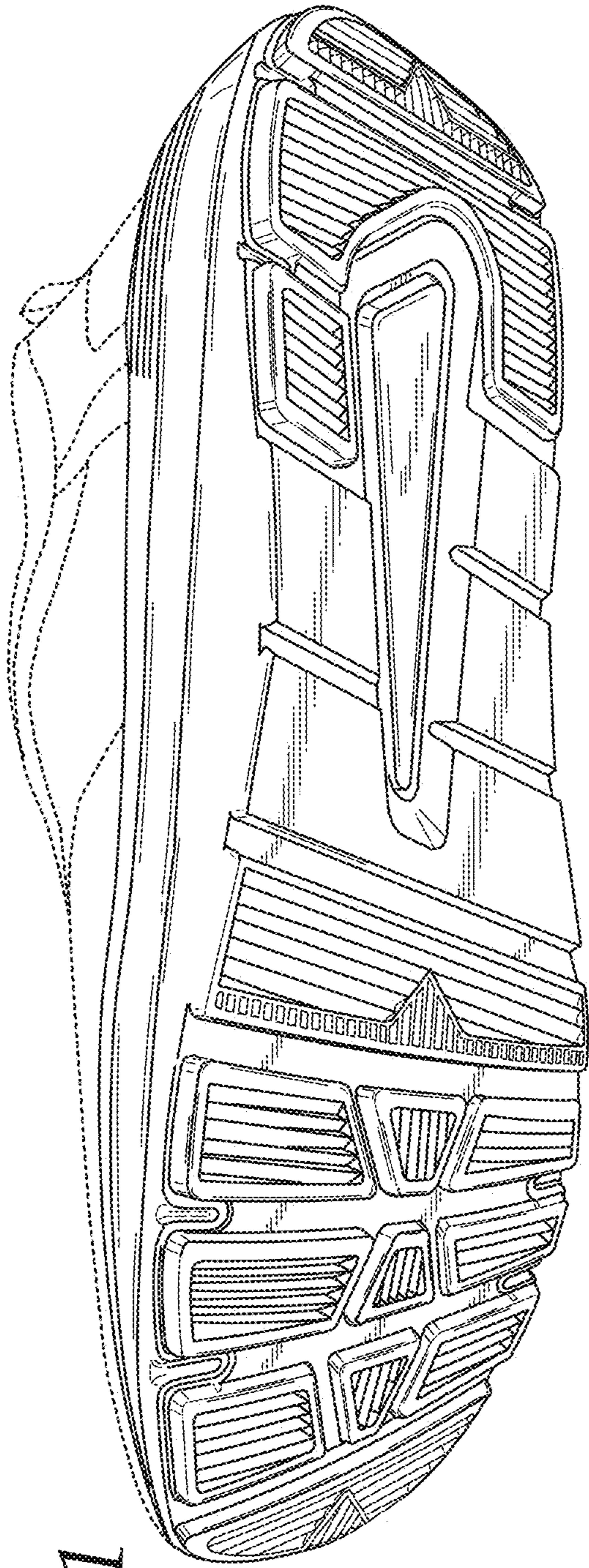


Fig. 1

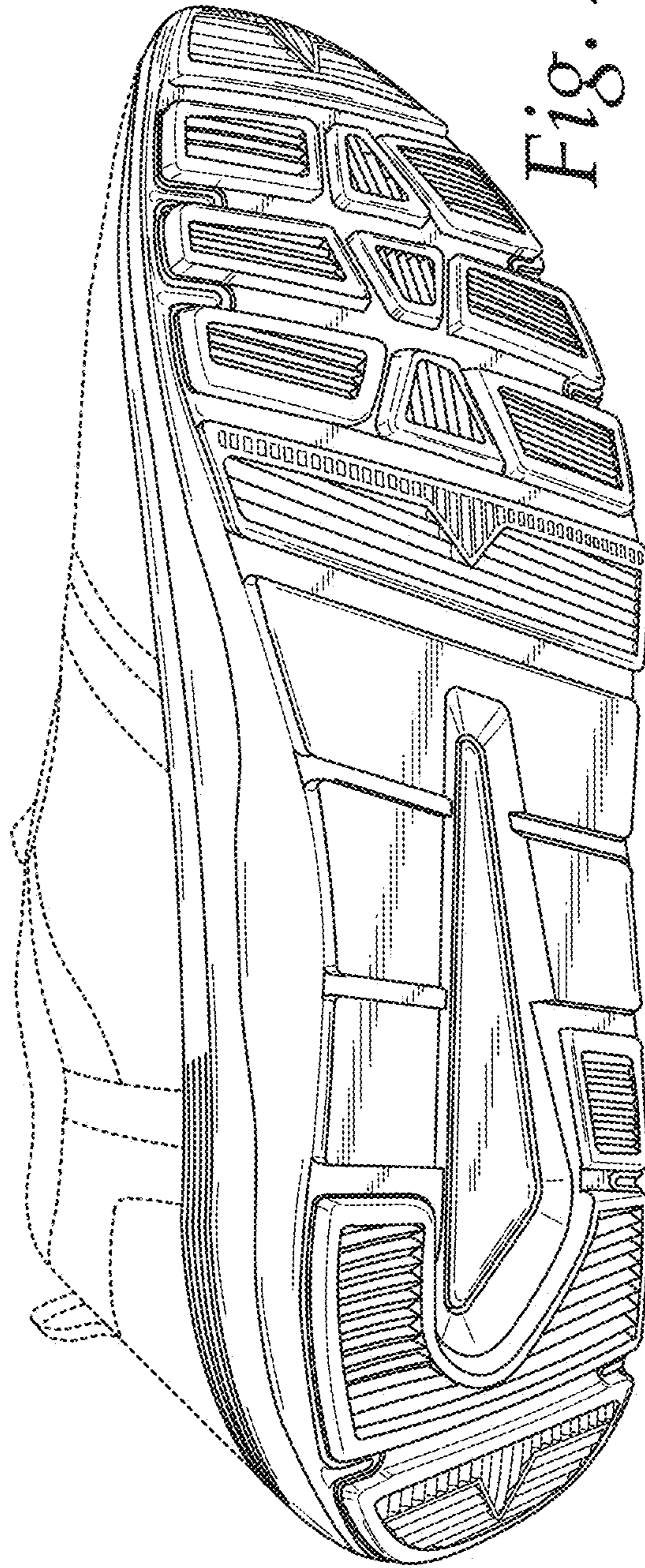


Fig. 2

Fig. 3

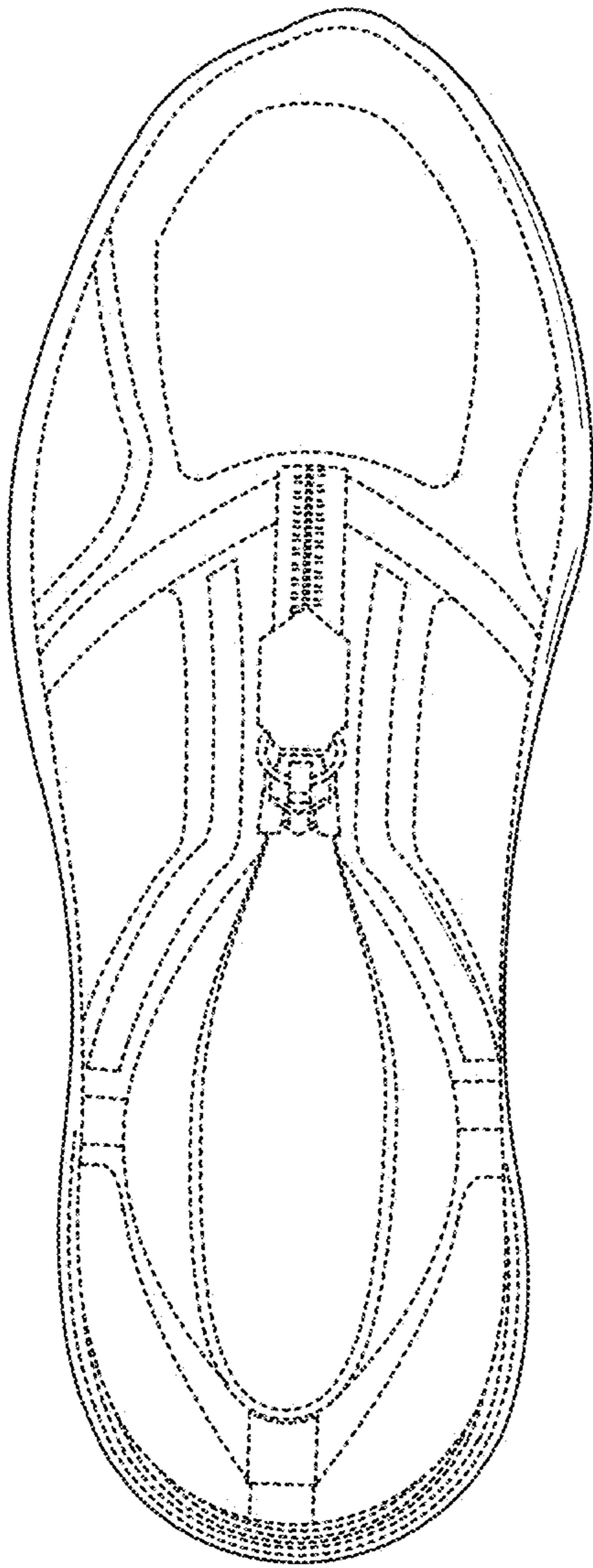
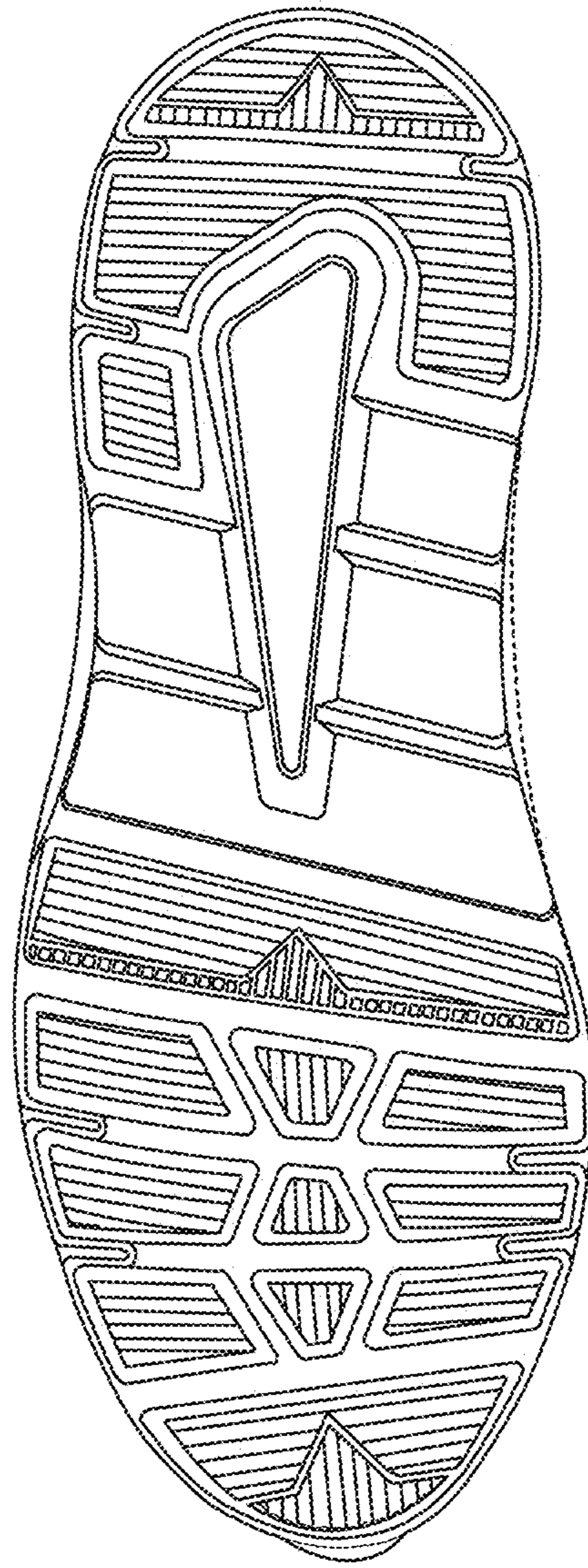


Fig. 4



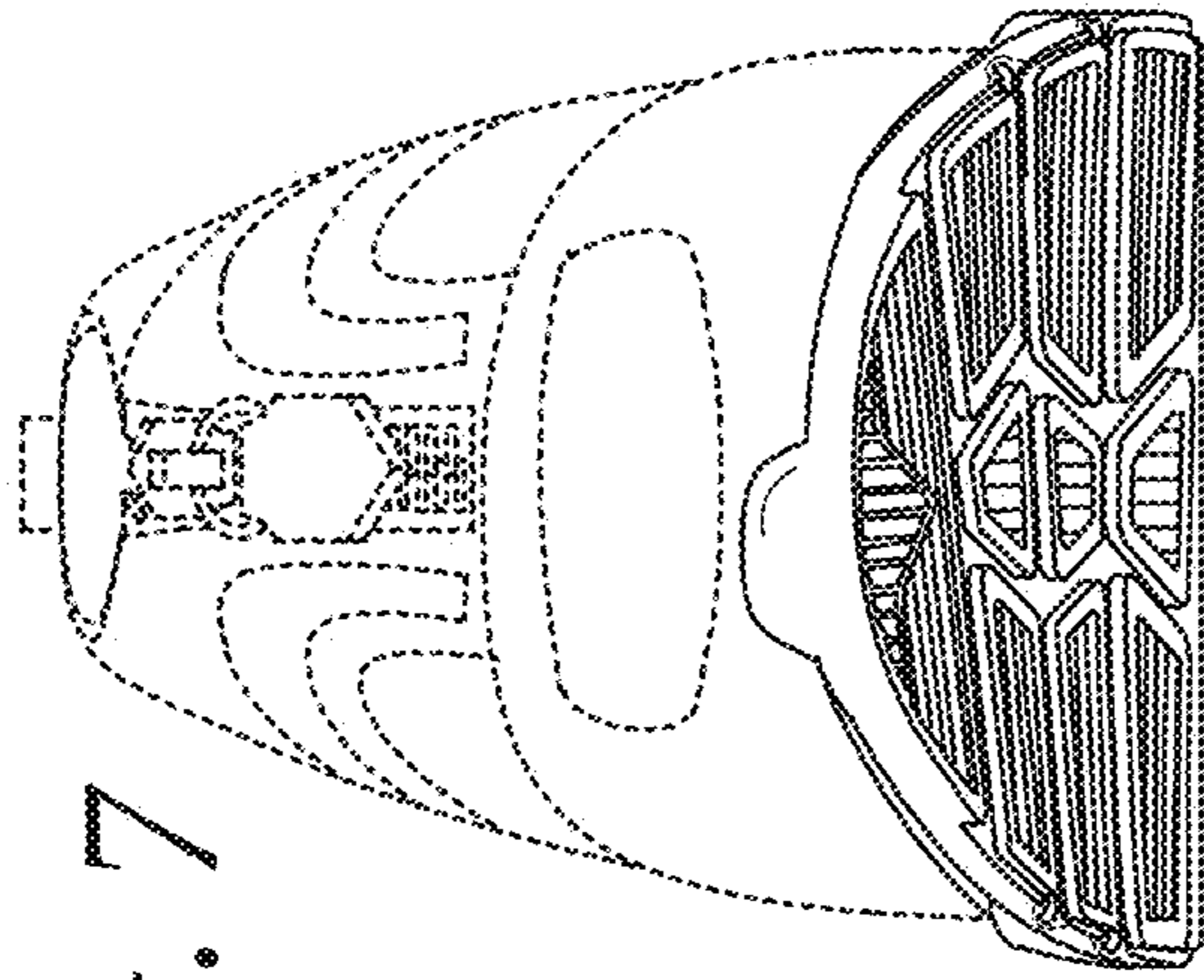


Fig. 7

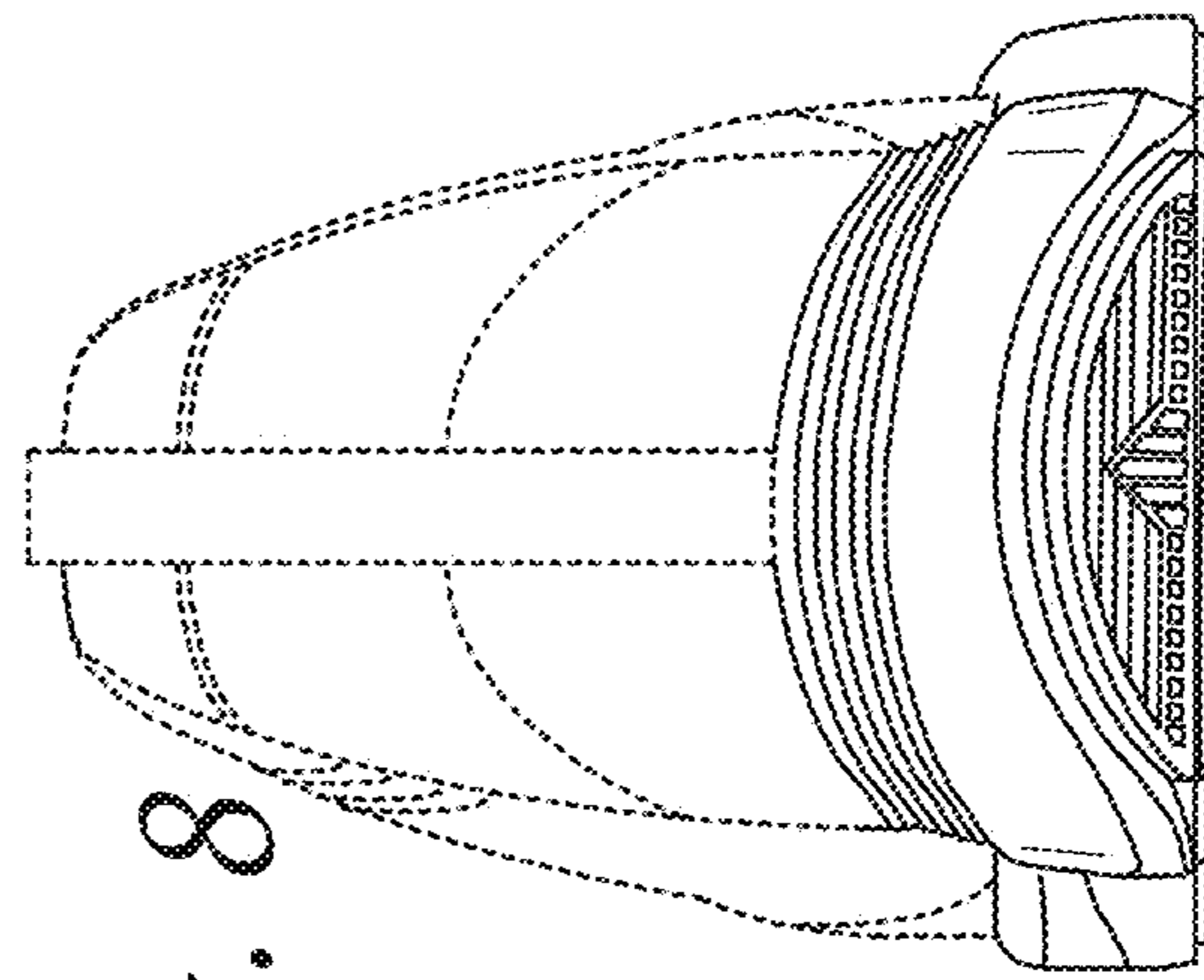


Fig. 8

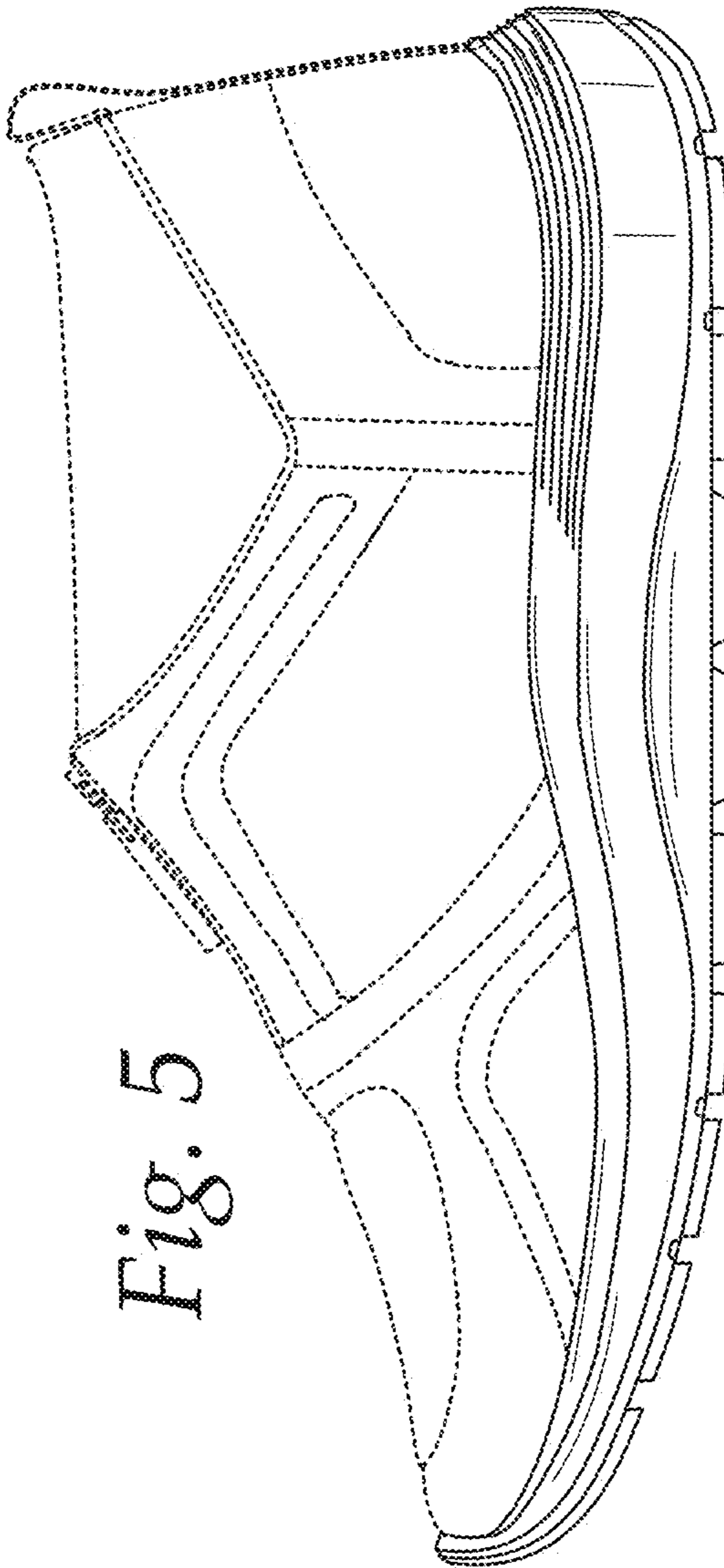


Fig. 5

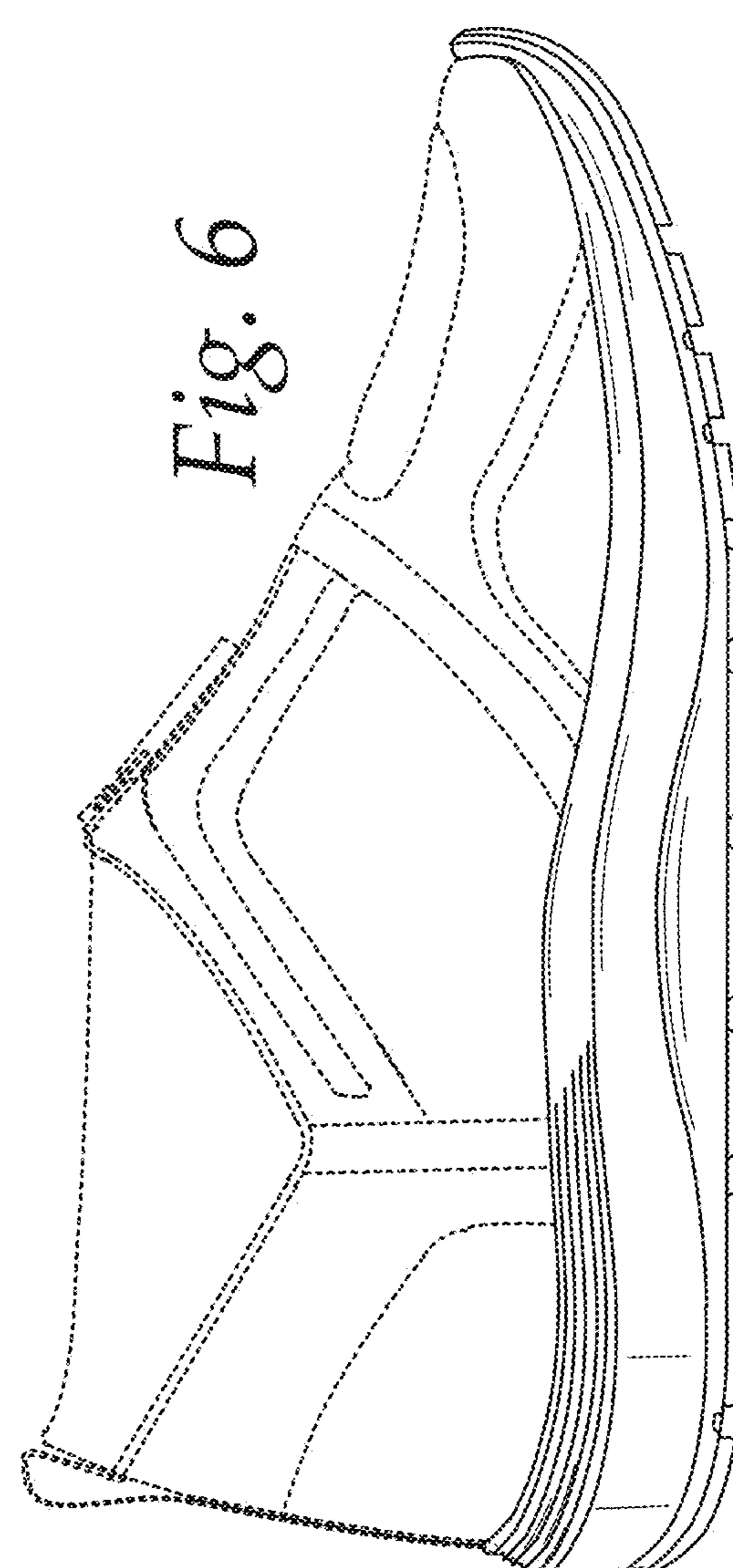


Fig. 6

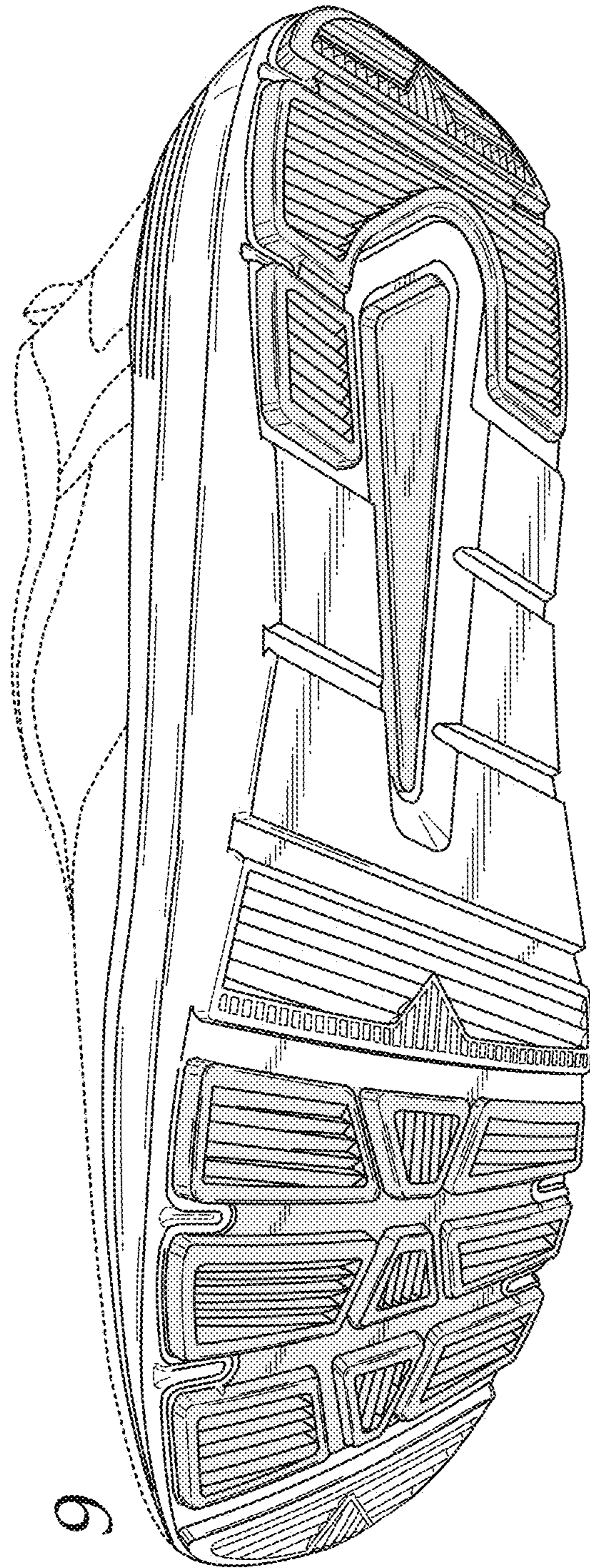


Fig. 9

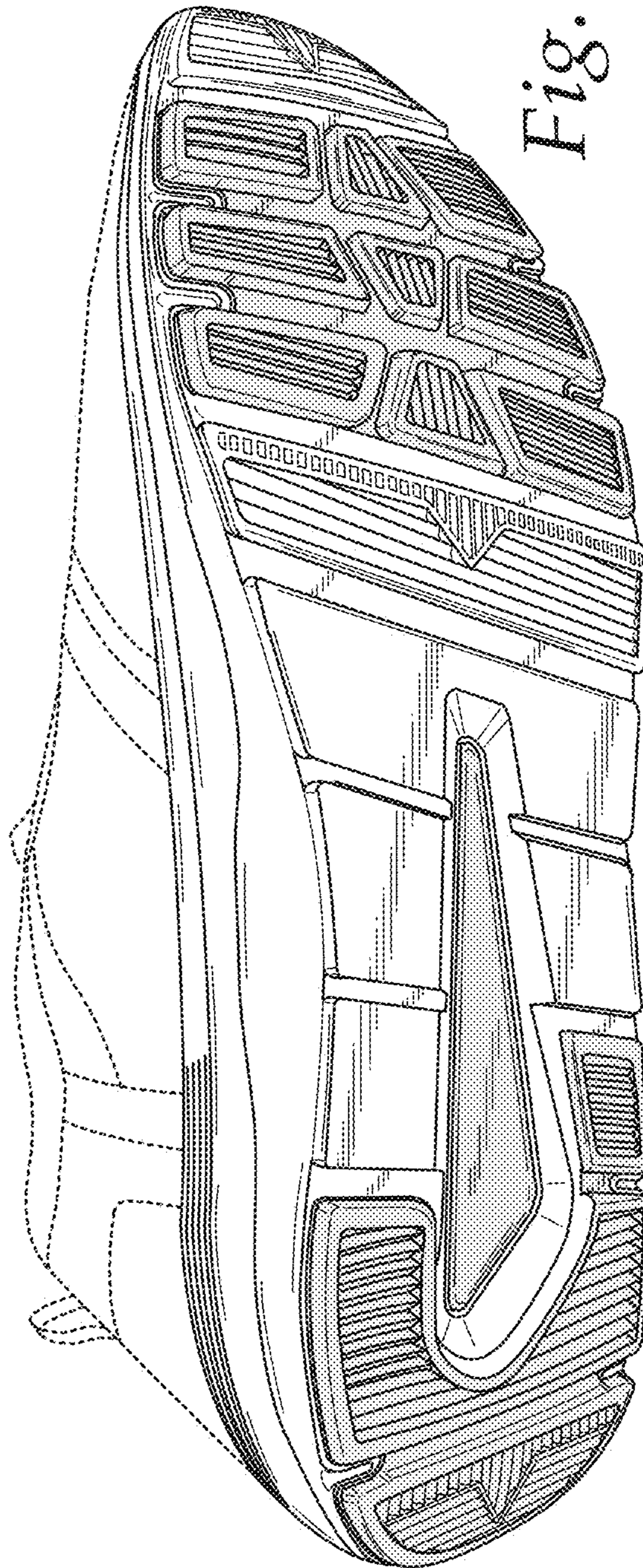


Fig. 10

Fig. 11

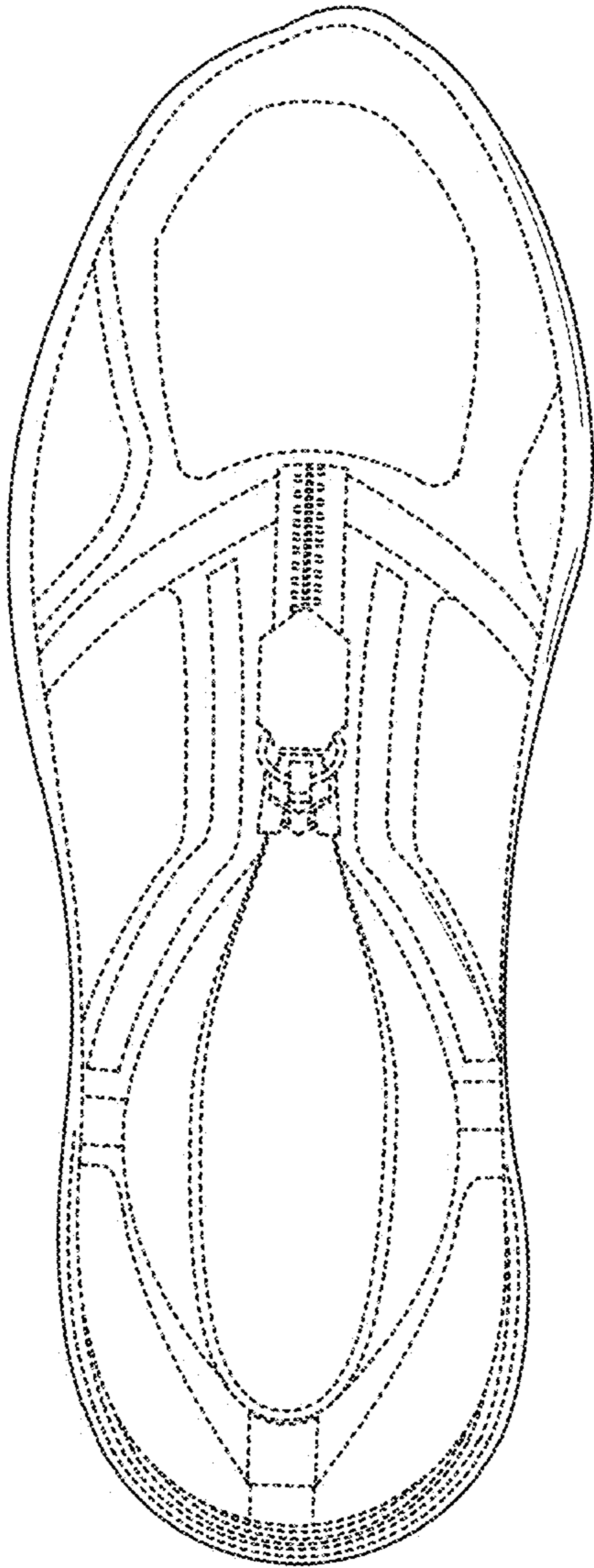
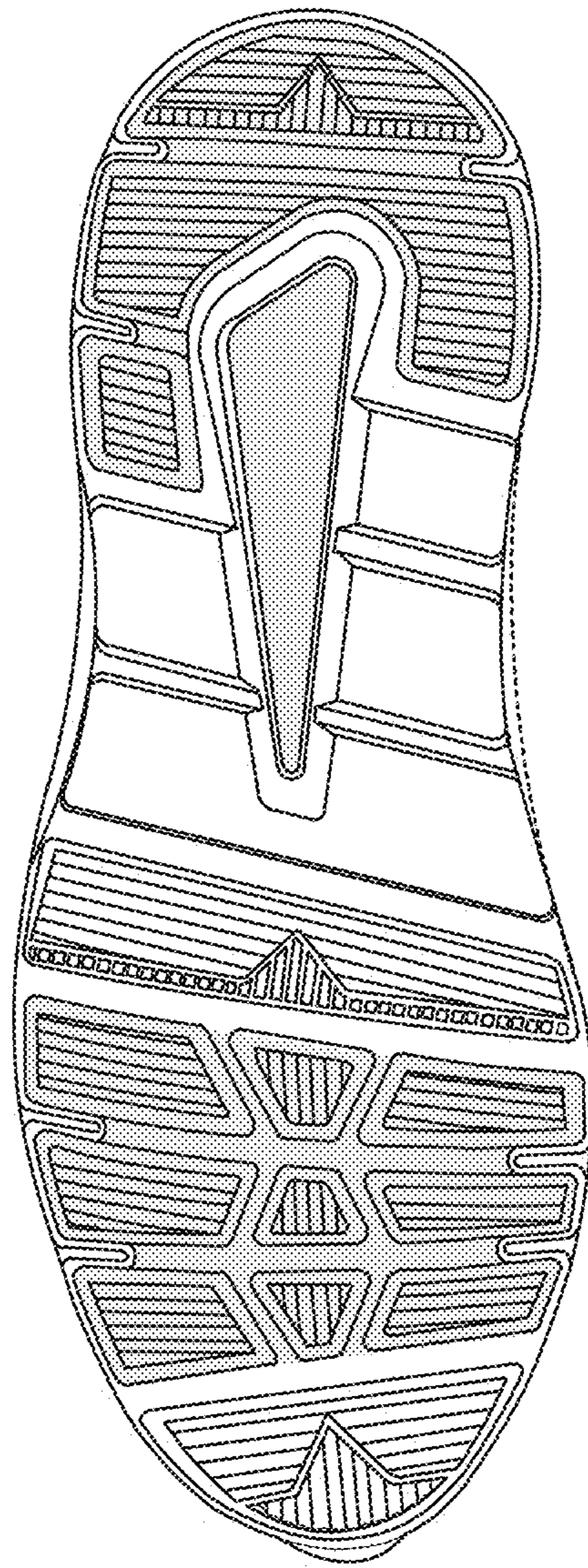


Fig. 12



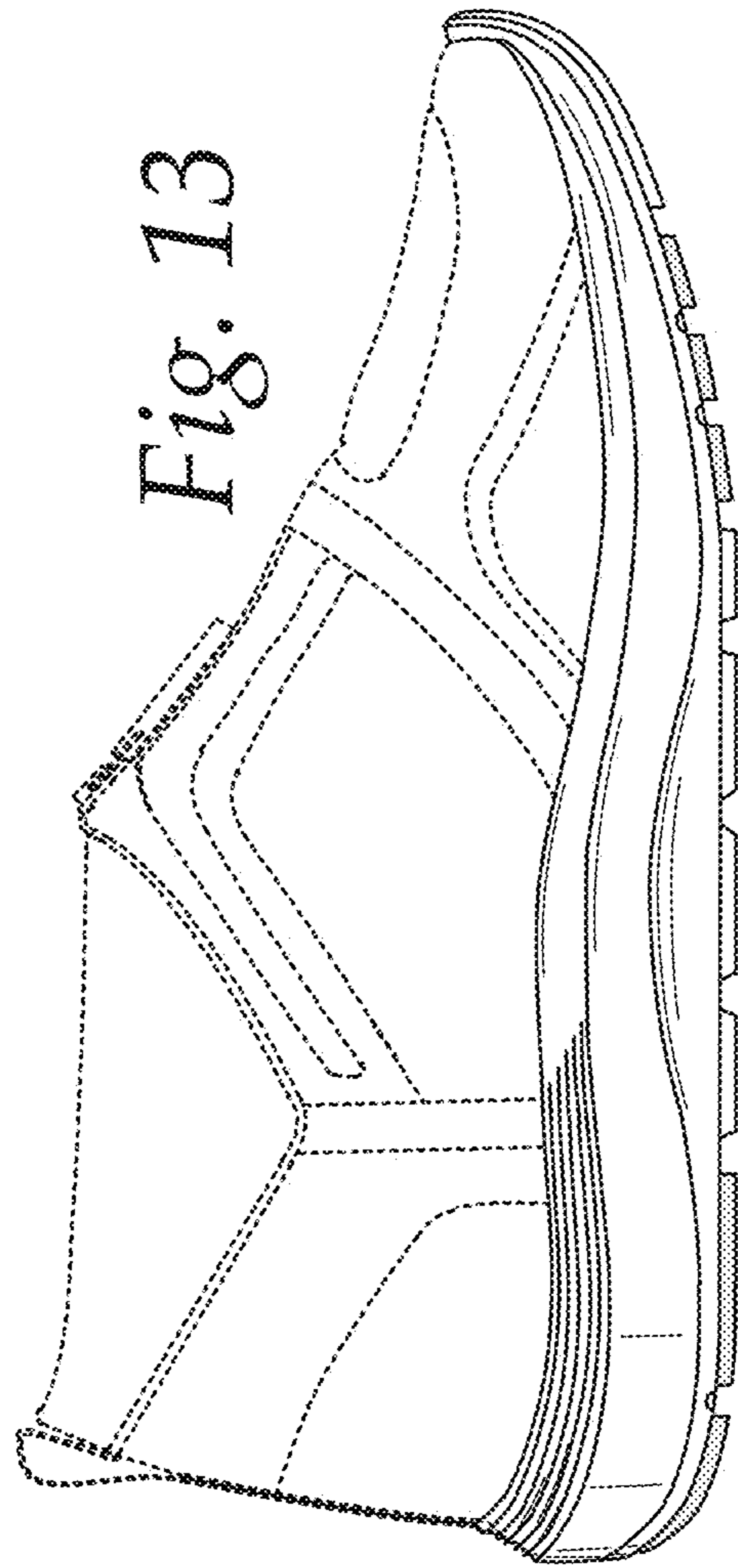


Fig. 13

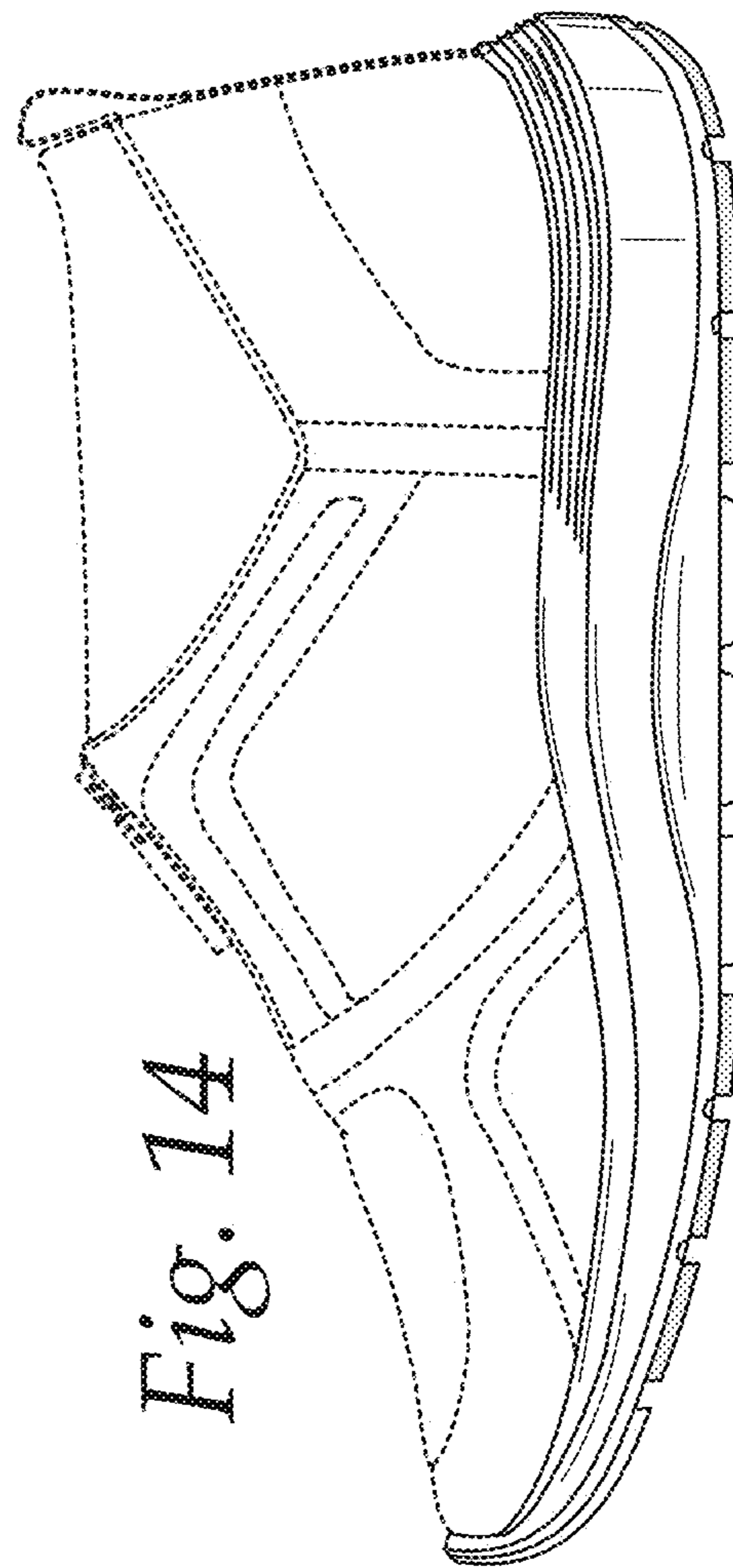


Fig. 14

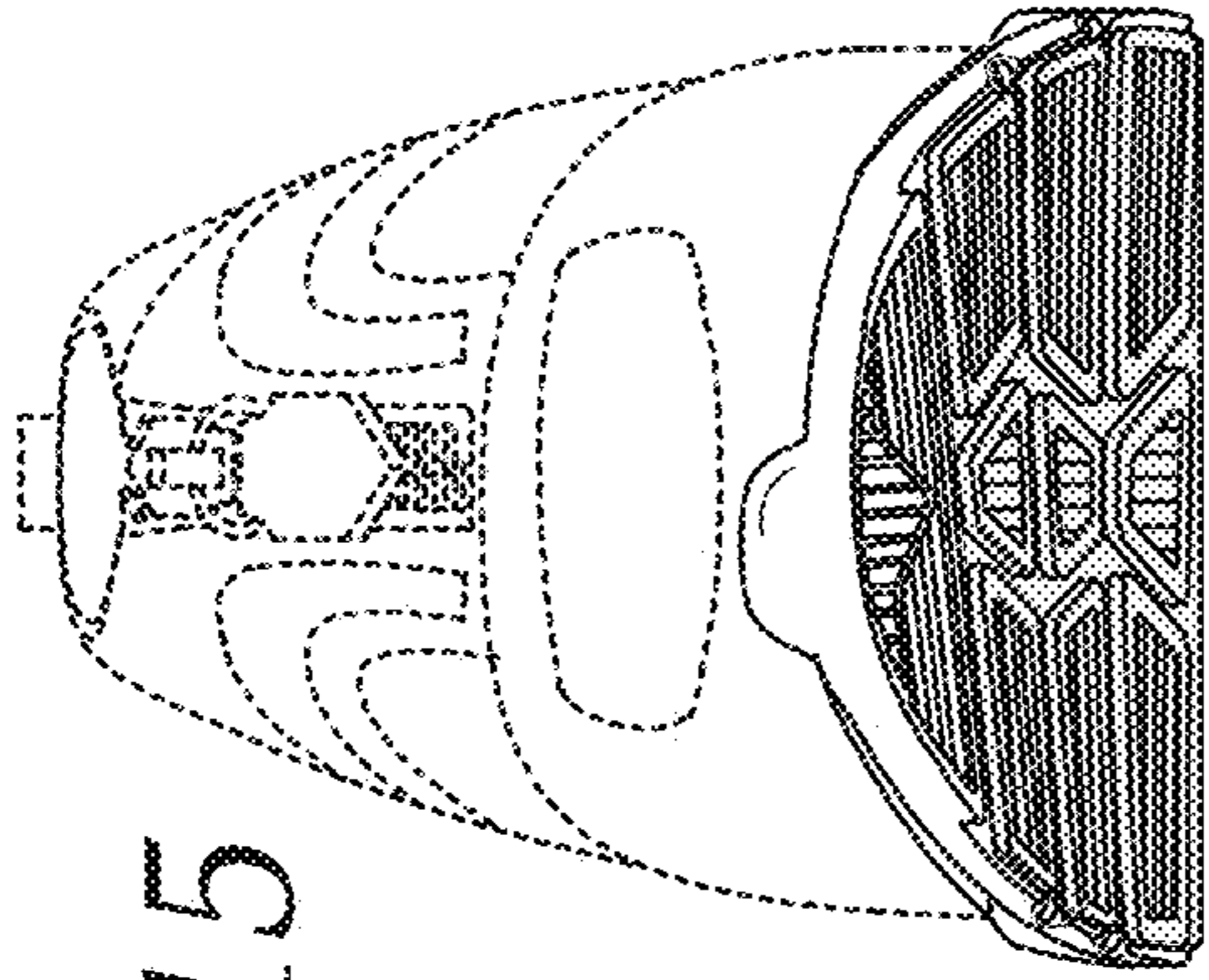


Fig. 15

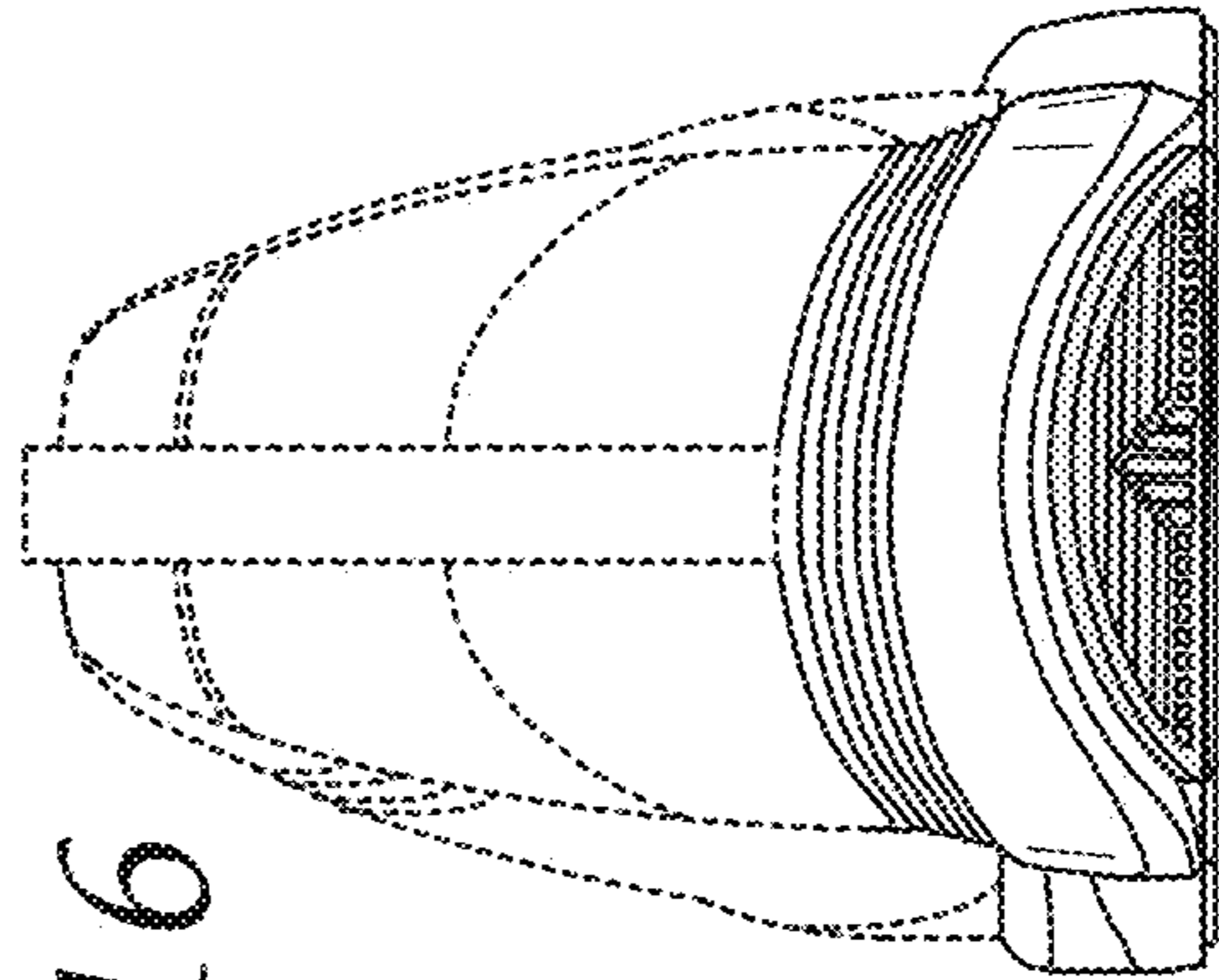


Fig. 16