



US00D974008S

(12) **United States Design Patent**
Piccioli

(10) **Patent No.:** **US D974,008 S**
(45) **Date of Patent:** **** Jan. 3, 2023**

- (54) **SHOE**
- (71) Applicant: **VALENTINO S.p.A.**, Milan (IT)
- (72) Inventor: **Pierpaolo Piccioli**, Milan (IT)
- (73) Assignee: **VALENTINO S.p.A.**, Milan (IT)
- (**) Term: **15 Years**
- (21) Appl. No.: **29/775,841**
- (22) Filed: **Mar. 25, 2021**

D648,930 S *	11/2011	Wolff	D2/932
D740,000 S *	10/2015	Sassi	D2/929
D769,589 S *	10/2016	Sassi	A43B 21/00
				D2/931
D811,703 S *	3/2018	Sassi	D2/939
D812,354 S *	3/2018	Sassi	D2/939
D818,249 S *	5/2018	Sassi	D2/916
D818,250 S *	5/2018	Sassi	D2/916
D834,794 S *	12/2018	Sassi	D2/939
D835,892 S *	12/2018	Sassi	D2/916
D835,895 S *	12/2018	Sassi	D2/939
D838,942 S *	1/2019	Sassi	D2/896
D852,473 S *	7/2019	Sassi	D2/932

(Continued)

(30) **Foreign Application Priority Data**

- Sep. 25, 2020 (FR) 2020-4321
- (51) **LOC (14) Cl.** **02-04**
- (52) **U.S. Cl.**
USPC **D2/931; D2/929; D2/930; D2/925**
- (58) **Field of Classification Search**
USPC D2/896, 916-918, 923, 925-929,
D2/930-943, 965, 966, 971
CPC A43B 3/12; A43B 23/0245; A43B 13/14;
A43B 3/24; A43B 13/122; A43B 13/141;
A43B 13/16; A43B 13/186; A43B 3/10;
A43B 3/108; A43B 3/248
See application file for complete search history.

(56) **References Cited**

U.S. PATENT DOCUMENTS

D452,059 S *	12/2001	Jacobs	D2/925
D453,063 S *	1/2002	Jacobs	D2/932
D478,205 S *	8/2003	Hardy	D2/896
D530,499 S *	10/2006	Kelsey	D2/971
D530,902 S *	10/2006	Choi	D2/971
D536,166 S *	2/2007	Choi	D2/971
D536,167 S *	2/2007	Choi	D2/971
D539,025 S *	3/2007	Choi	D2/971
D541,034 S *	4/2007	Kelsey	D2/971
D586,547 S *	2/2009	Houser	D2/971
D632,061 S *	2/2011	Hardy	D2/929

OTHER PUBLICATIONS

Roman Stud Calfskin Ballet, Valentino.com, [online], [site visited Aug. 10, 2022]. <URL: https://www.valentino.com/en-in/ballerina-flats_cod45666037504886153.html#dept=ROW_Shoes_W> (Year: 2022).*

Primary Examiner — Jonathan J Han
(74) *Attorney, Agent, or Firm* — Thomas | Horstemeyer, LLP

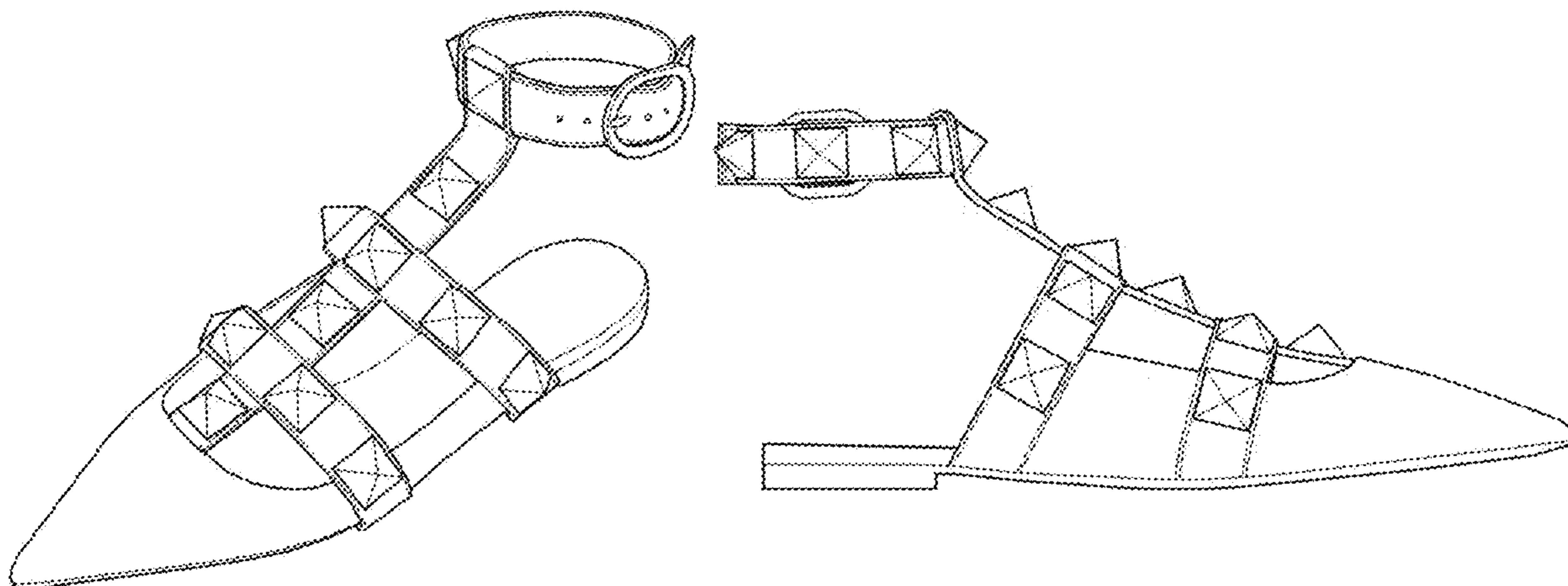
(57) **CLAIM**

The ornamental design for a shoe, as shown and described.

DESCRIPTION

FIG. 1 is a perspective view of a shoe, showing my new design;
FIG. 2 is a front view thereof;
FIG. 3 is a rear view thereof;
FIG. 4 is a side view thereof;
FIG. 5 is a side view thereof, opposite that of FIG. 4;
FIG. 6 is a top view thereof; and,
FIG. 7 is a bottom view thereof.
The dashed lines on the shoe upper represent stitching and form part of the claimed design.

1 Claim, 7 Drawing Sheets



(56)

References Cited

U.S. PATENT DOCUMENTS

D872,430	S	*	1/2020	Sassi	D2/939
D885,037	S	*	5/2020	Casadei	D2/971
D890,482	S	*	7/2020	Sassi	D2/966
D896,497	S	*	9/2020	Kenison	D2/976
D911,680	S	*	3/2021	Sassi	D2/916
D946,249	S	*	3/2022	Lin	D2/947

* cited by examiner

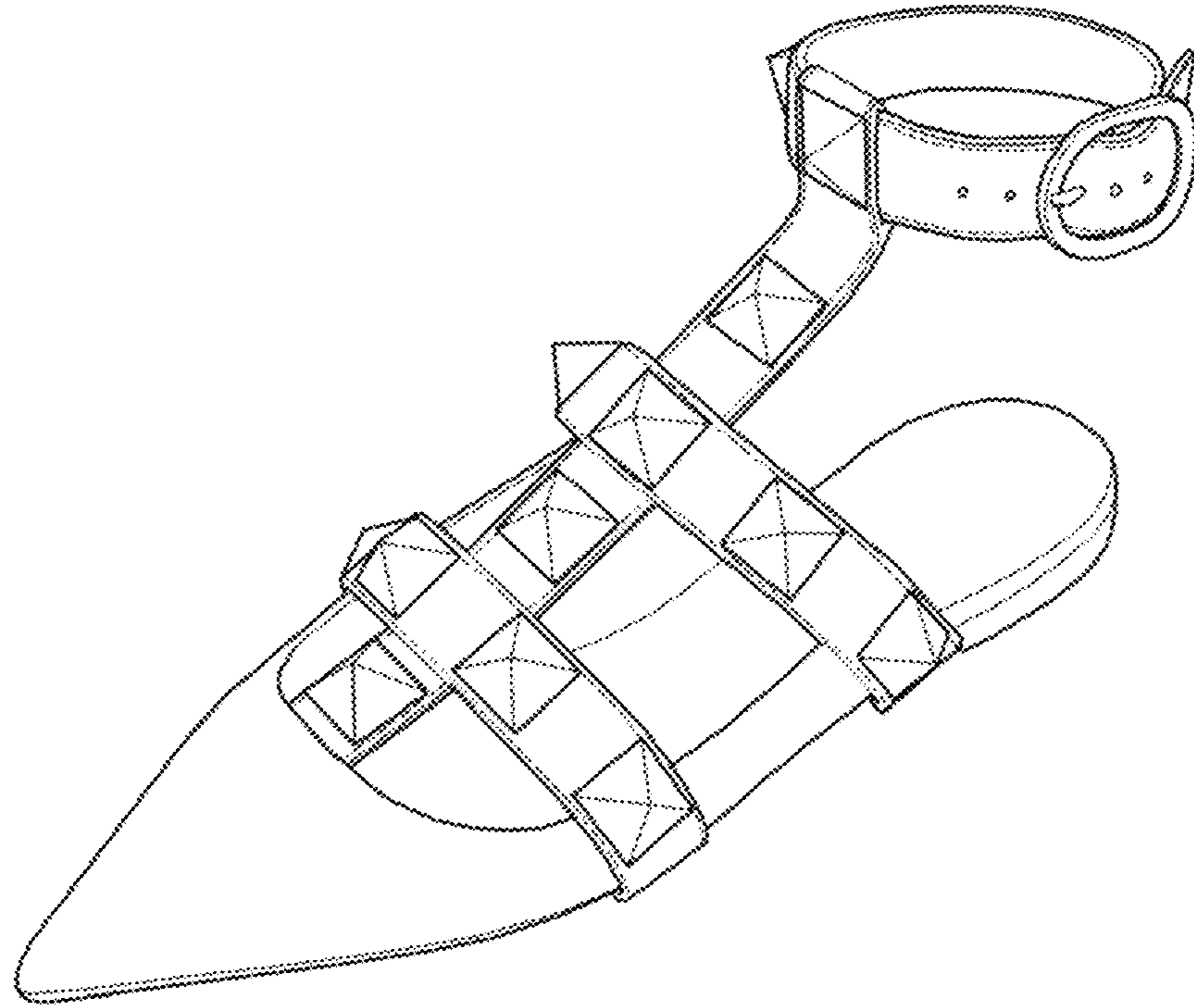


FIG. 1

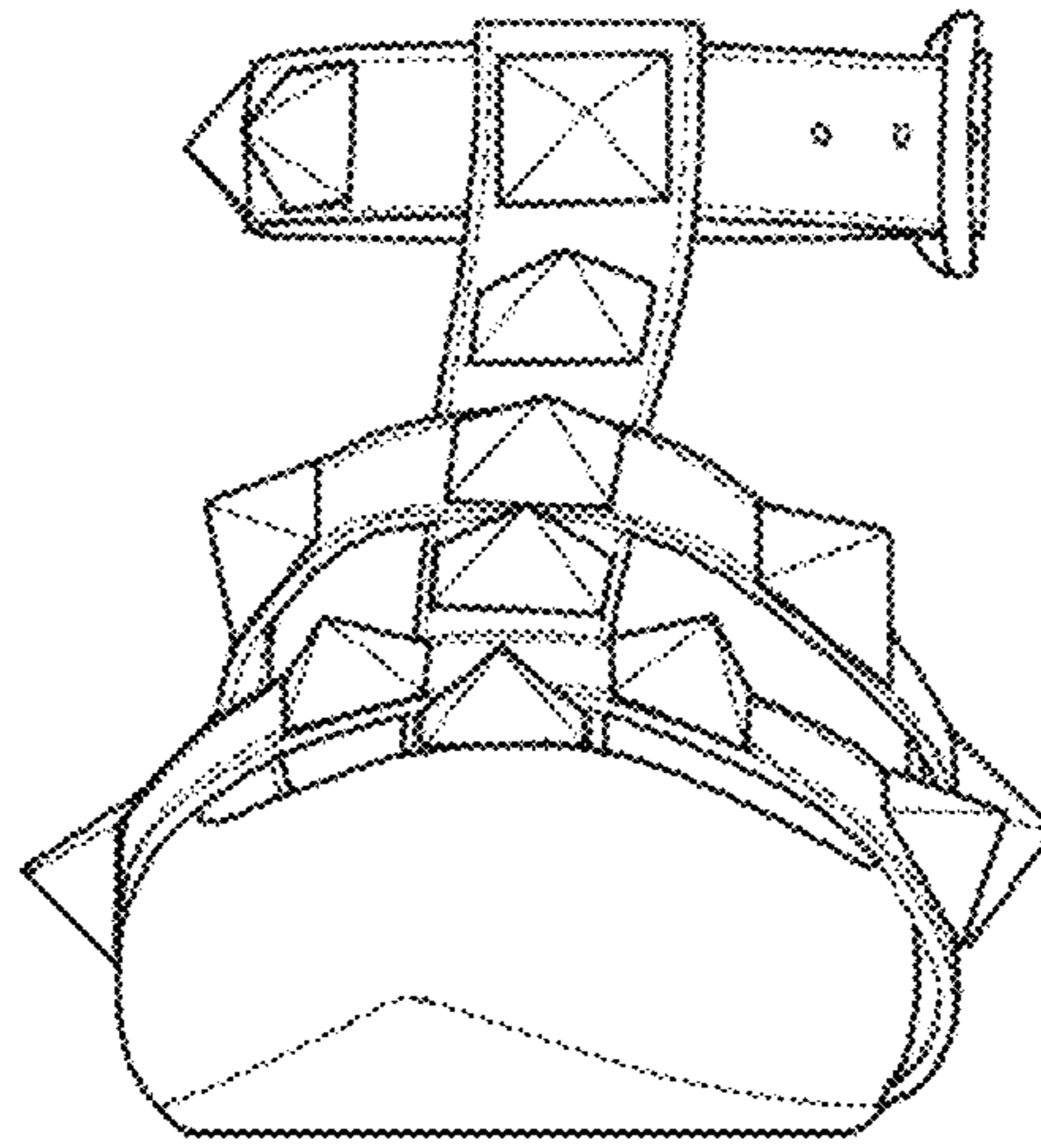


FIG. 2

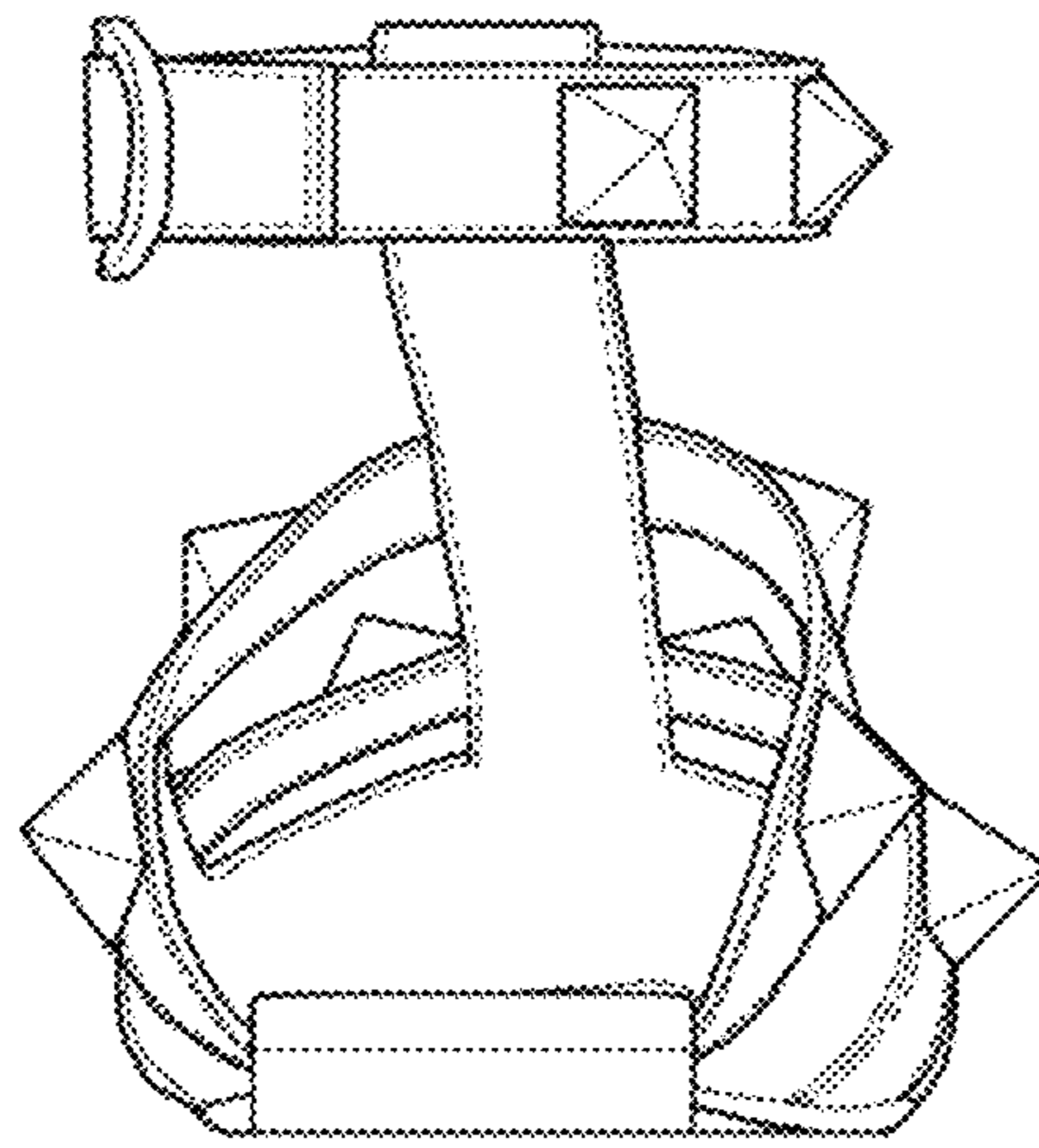


FIG. 3

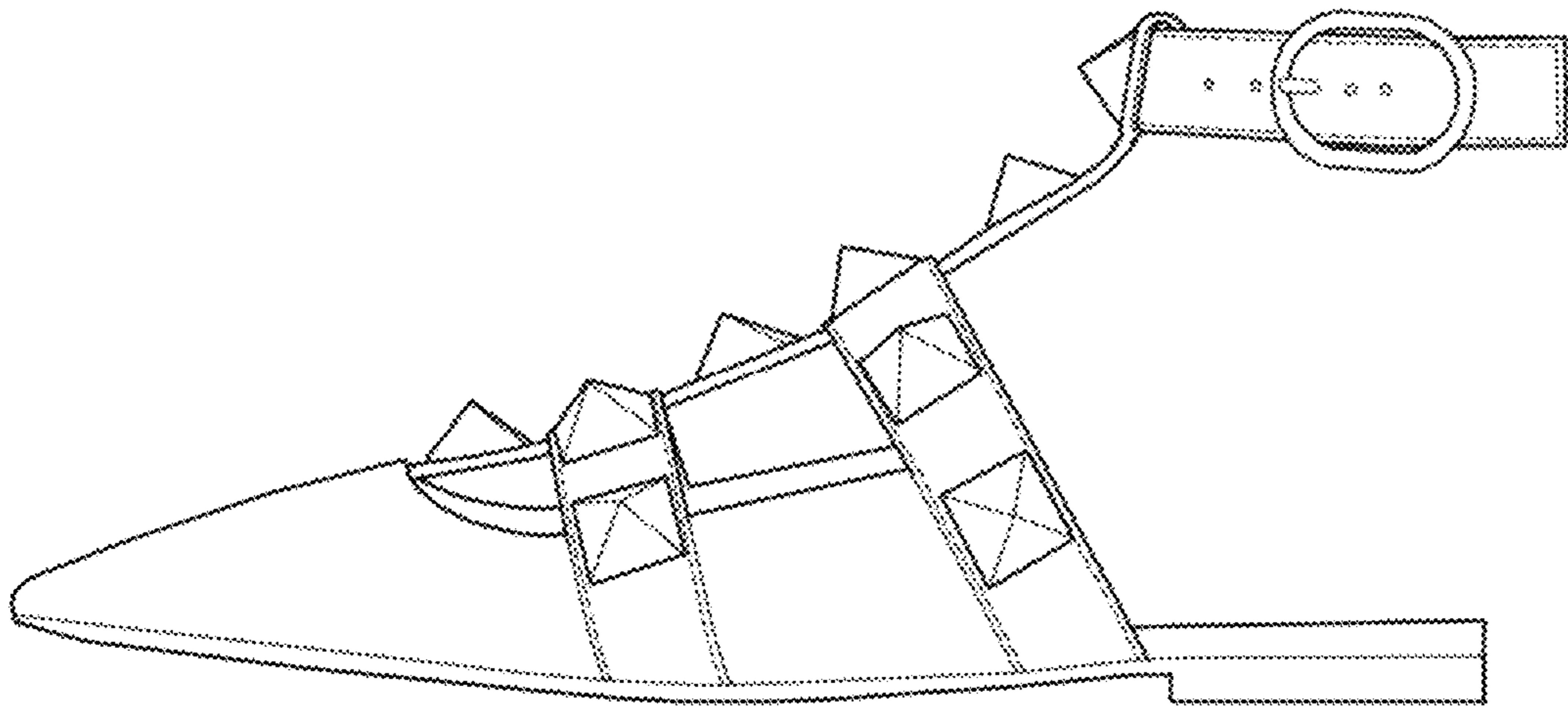


FIG. 4

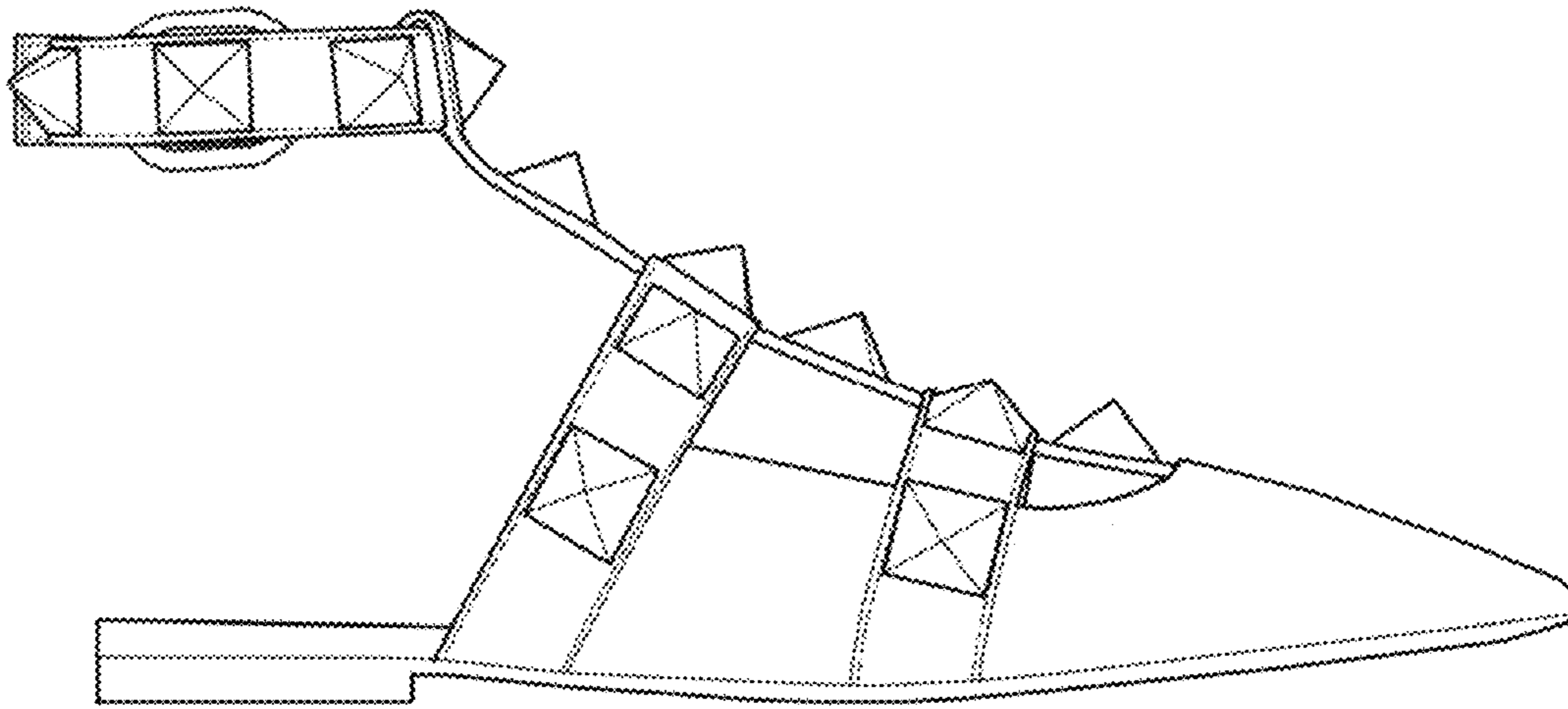


FIG. 5

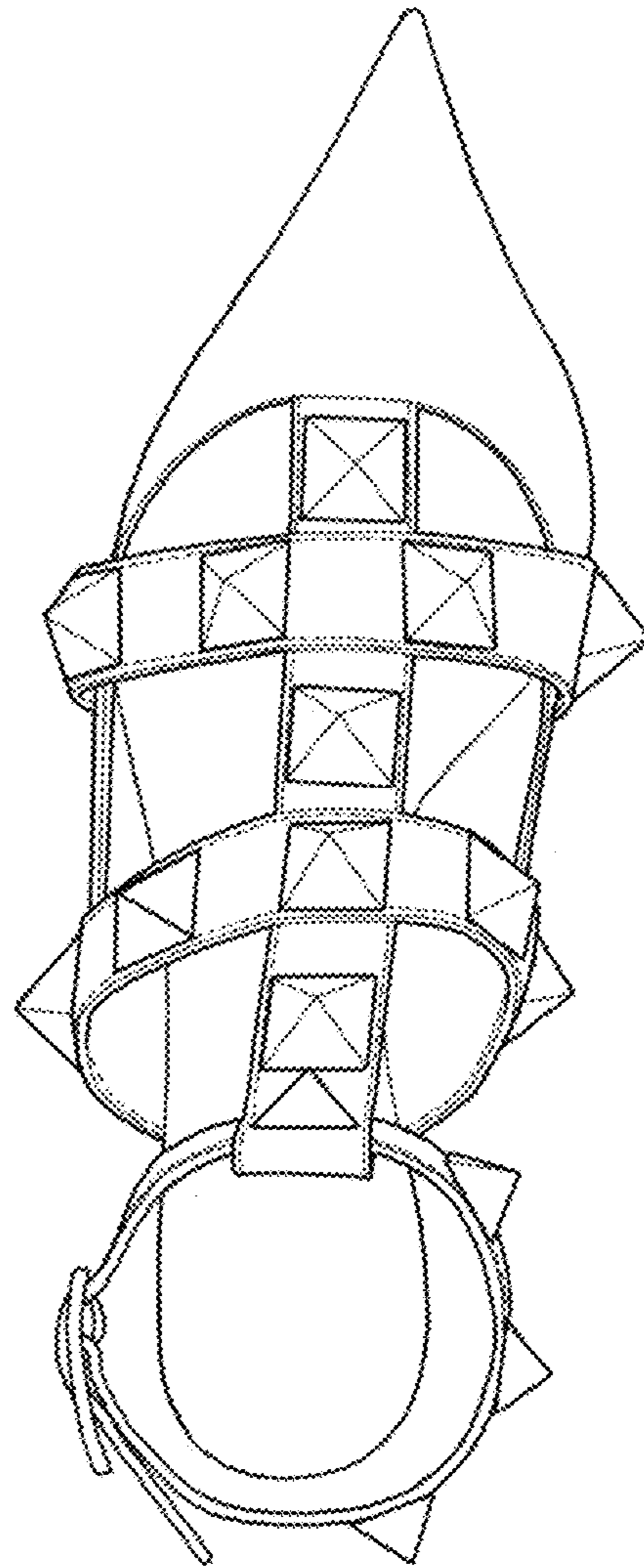


FIG. 6

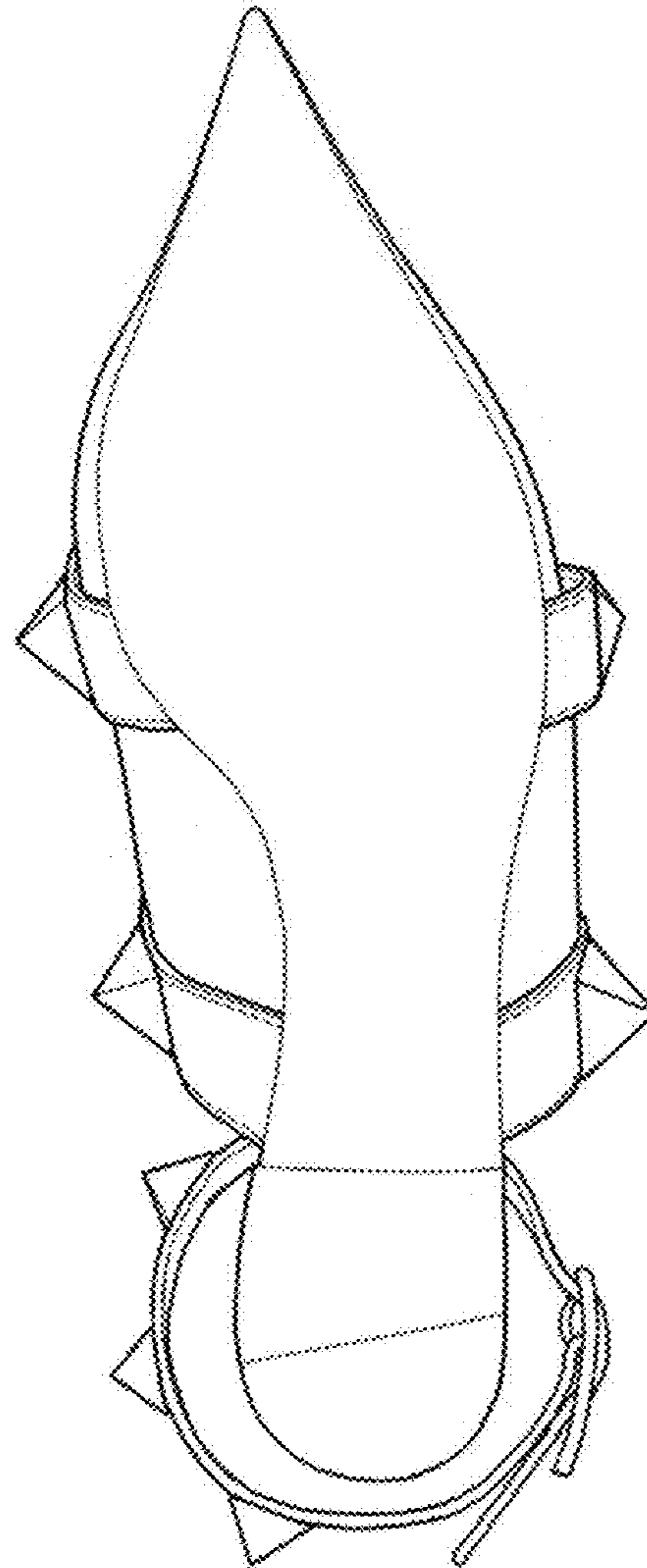


FIG. 7