



US00D974003S

(12) **United States Design Patent** (10) **Patent No.:** **US D974,003 S**
Palanacki (45) **Date of Patent:** **** Jan. 3, 2023**

(54) **SHORT SLEEVE SHIRT**

FOREIGN PATENT DOCUMENTS

(71) Applicant: **George Palanacki**, LaSalle (CA)

CN 2297071 * 11/1998
CN 205682626 * 11/2016

(72) Inventor: **George Palanacki**, LaSalle (CA)

(Continued)

(**) Term: **15 Years**

OTHER PUBLICATIONS

(21) Appl. No.: **29/712,064**

Tommy Hilfiger Makes Clothes for Kids With Disabilities, Thanks to a Mom's Dream, posted to lovethatmax.com. Available date: Feb. 23, 2016 [site visited Mar. 4, 2021] Available: <<https://www.lovethatmax.com/2016/02/clothing-for-kids-with-disabilities.html>> (Year: 2016).*

(22) Filed: **Nov. 5, 2019**

(51) **LOC (14) Cl.** **02-02**

(52) **U.S. Cl.**
USPC **D2/840**

(Continued)

(58) **Field of Classification Search**
USPC D2/840, 728, 849
CPC A41B 1/10
See application file for complete search history.

Primary Examiner — Kevin K Rudzinski
(74) *Attorney, Agent, or Firm* — David W Barman

(56) **References Cited**

(57) **CLAIM**

U.S. PATENT DOCUMENTS

The ornamental design for a short sleeve shirt, as shown and described.

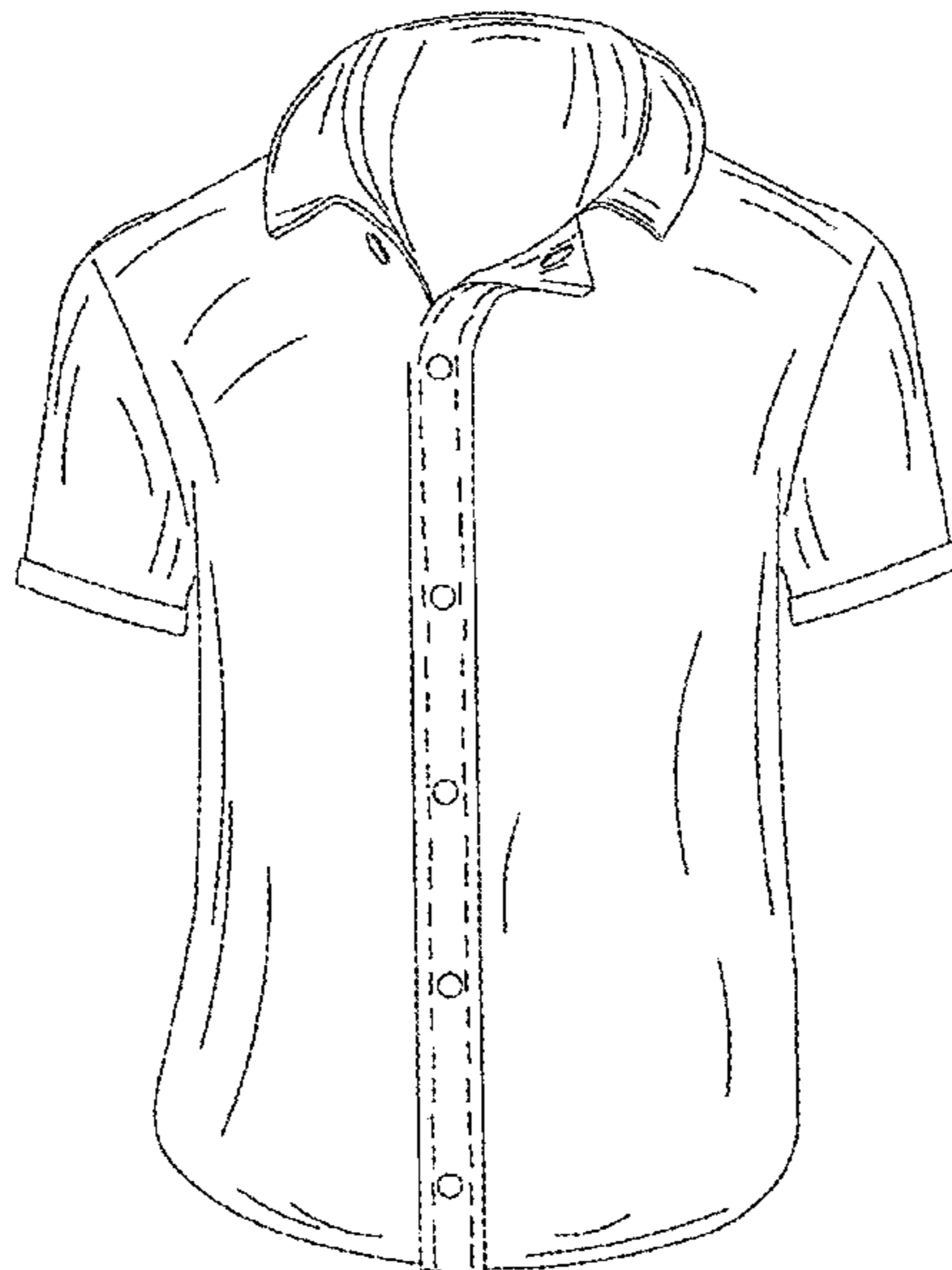
D101,818 S *	11/1936	Melville	D2/849
2,418,774 A *	4/1947	Katz	A41B 1/00 2/115
D158,416 S *	5/1950	Spector	D2/848
D174,426 S *	4/1955	Greenwald	D2/849
2,999,245 A *	9/1961	Lippman	A41B 1/00 2/115
3,286,277 A *	11/1966	Weiss	A41D 31/00 2/115
4,077,066 A *	3/1978	Weiss	A41B 3/00 2/129
D263,890 S *	4/1982	Dalton	D2/849
5,097,535 A *	3/1992	Dye	A41D 10/00 2/104
D395,539 S *	6/1998	DiPietro	D2/840
5,782,191 A *	7/1998	Wong	B29C 66/729 112/441
6,076,187 A *	6/2000	Wallerstein	A41B 1/00 2/115
D491,713 S *	6/2004	Wilson, II	D2/849

(Continued)

DESCRIPTION

FIG. 1 is front perspective view showing the short sleeve shirt of the present invention, shown with the top button unbuttoned;
FIG. 2 is a front perspective view thereof with the top button buttoned;
FIG. 3 is front perspective view with the top two buttons unbuttoned, the remaining buttons are non-functioning buttons applied to a fake placket;
FIG. 4 is a rear elevation view thereof;
FIG. 5 is a left side elevation thereof;
FIG. 6 is a top plan view thereof;
FIG. 7 is a right side elevation thereof; and,
FIG. 8 is a bottom plan elevation thereof.
The broken lines in the drawings illustrate portions of the shirt that form no part of the claimed design.

1 Claim, 8 Drawing Sheets



(56)

References Cited

U.S. PATENT DOCUMENTS

6,868,556 B1 * 3/2005 Jenkins A41B 1/10
2/77
D622,484 S * 8/2010 Kilgallen D2/861
D635,335 S * 4/2011 Eckman D2/849
7,992,222 B1 * 8/2011 Behrens A41B 1/10
2/128
D674,579 S * 1/2013 Grabowski D2/849
D679,894 S * 4/2013 D'Angelo D2/840
D680,304 S * 4/2013 Greenberg D2/840
D700,418 S * 3/2014 Borovicka D2/831
D701,368 S * 3/2014 Borovicka D2/831
D701,369 S * 3/2014 Borovicka D2/831
D714,527 S * 10/2014 Borovicka D2/839
D734,593 S * 7/2015 Borovicka D2/831
D745,769 S * 12/2015 Borovicka D2/750
D747,846 S * 1/2016 Borovicka D2/750
D775,457 S * 1/2017 Davis D2/849
9,750,285 B2 * 9/2017 Davis A41B 3/06
D811,042 S * 2/2018 Carey D2/728
D819,931 S * 6/2018 Nordin, Jr. D2/849
D824,145 S * 7/2018 Morisch D2/849
D827,254 S * 9/2018 Frierson, Sr. D2/831
D829,413 S * 10/2018 Lomax D2/840
D841,941 S * 3/2019 Zheng D2/840
D844,287 S * 4/2019 Pasko D2/720
D848,119 S * 5/2019 Litos D2/840
D853,684 S * 7/2019 Gillen D2/728
D862,041 S * 10/2019 Waldman D2/731
D867,724 S * 11/2019 Nordin, Jr. D2/840
D878,008 S * 3/2020 Mosley D2/847
D882,211 S * 4/2020 Lines D2/840
10,779,592 B2 * 9/2020 Horton A41D 1/18
D915,739 S * 4/2021 Alexander D2/840
D923,915 S * 7/2021 Speck D2/739

2005/0177985 A1 * 8/2005 Sjoquist A41F 1/002
24/104
2006/0242750 A1 * 11/2006 Vereen A41D 13/002
2/115
2009/0178245 A1 * 7/2009 Albert A41F 1/002
24/303
2012/0185994 A1 * 7/2012 Liu A41D 27/245
2/115
2014/0157482 A1 * 6/2014 Blauer A41B 1/08
2/69
2018/0084844 A1 * 3/2018 Amezcua A41D 27/20

FOREIGN PATENT DOCUMENTS

JP 2011235073 * 11/2011
JP 2014000136 * 1/2014
KR 20-2013-0000943 * 2/2013

OTHER PUBLICATIONS

Magnetic Buttoned Adaptive Shirts Deliver Style and Freedom for All by Cindy, posted to akronohiomoms.com. Available date: Apr. 1, 2019 [site visited Mar. 4, 2021] Available: <<https://www.akronohiomoms.com/reviews-and-shopping/reviews/magnetic-buttoned-adaptive-shirts-deliver-style-and-freedom-for-all/>> (Year: 2019).*

Bashina Stretch Poplin Shirt by Hugo Boss, posted to nordstrom.com. Available date: Nov. 19, 2015 [site visited Feb. 9, 2022] Available: <<https://www.nordstrom.com/s/boss-bashina-stretch-poplin-shirt-regular-petite/4014307>> (Year: 2015).*

How to Wear a Short Sleeve Button Down Shirt by Khoi Nguyen, posted to gentlemanwithin.com. Available date: Aug. 11, 2019 [site visited Feb. 9, 2022] Available: <<https://www.gentlemanwithin.com/how-to-wear-a-short-sleeve-button-up-shirt/>> (Year: 2019).*

* cited by examiner

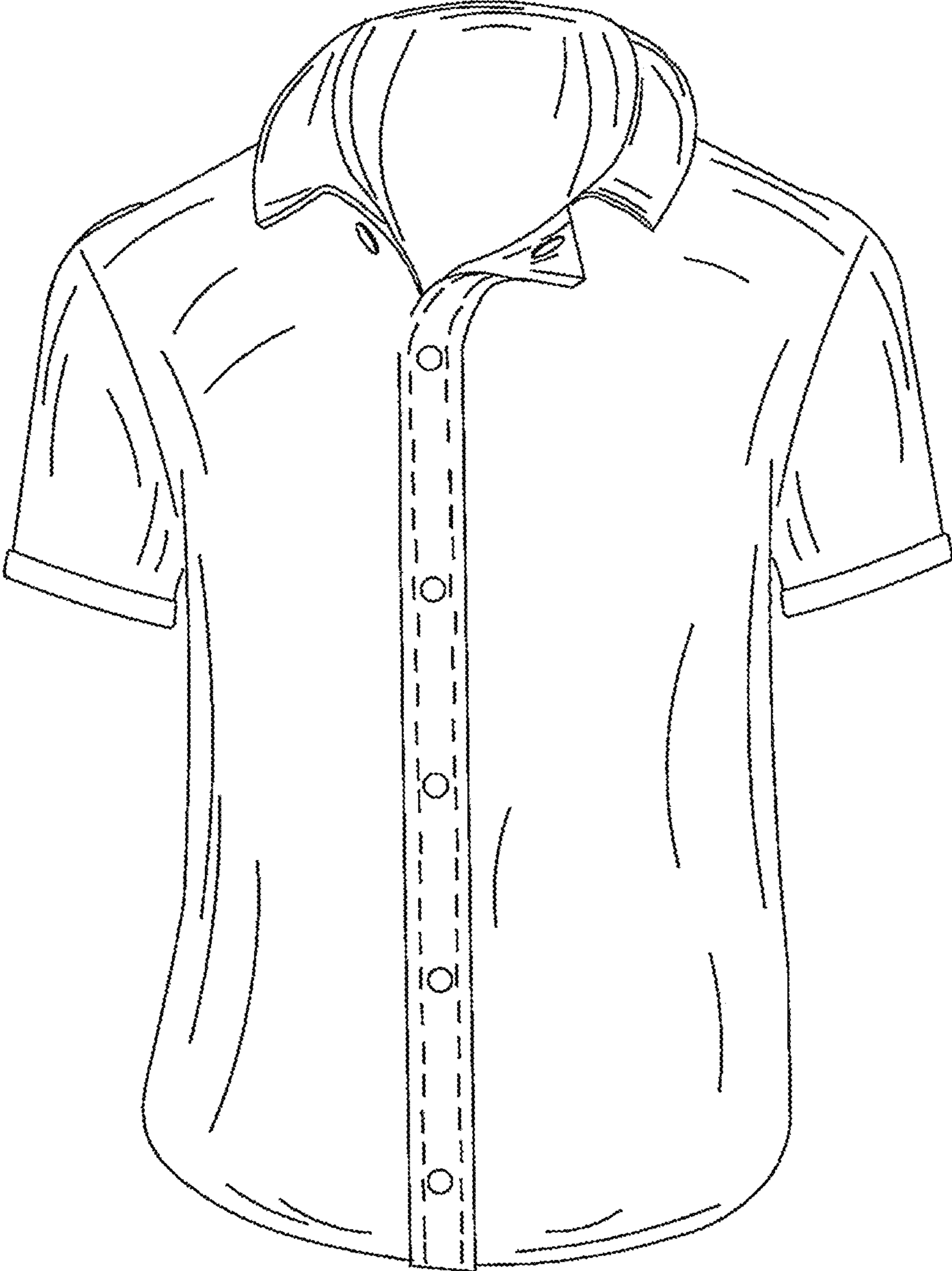


FIG. 1

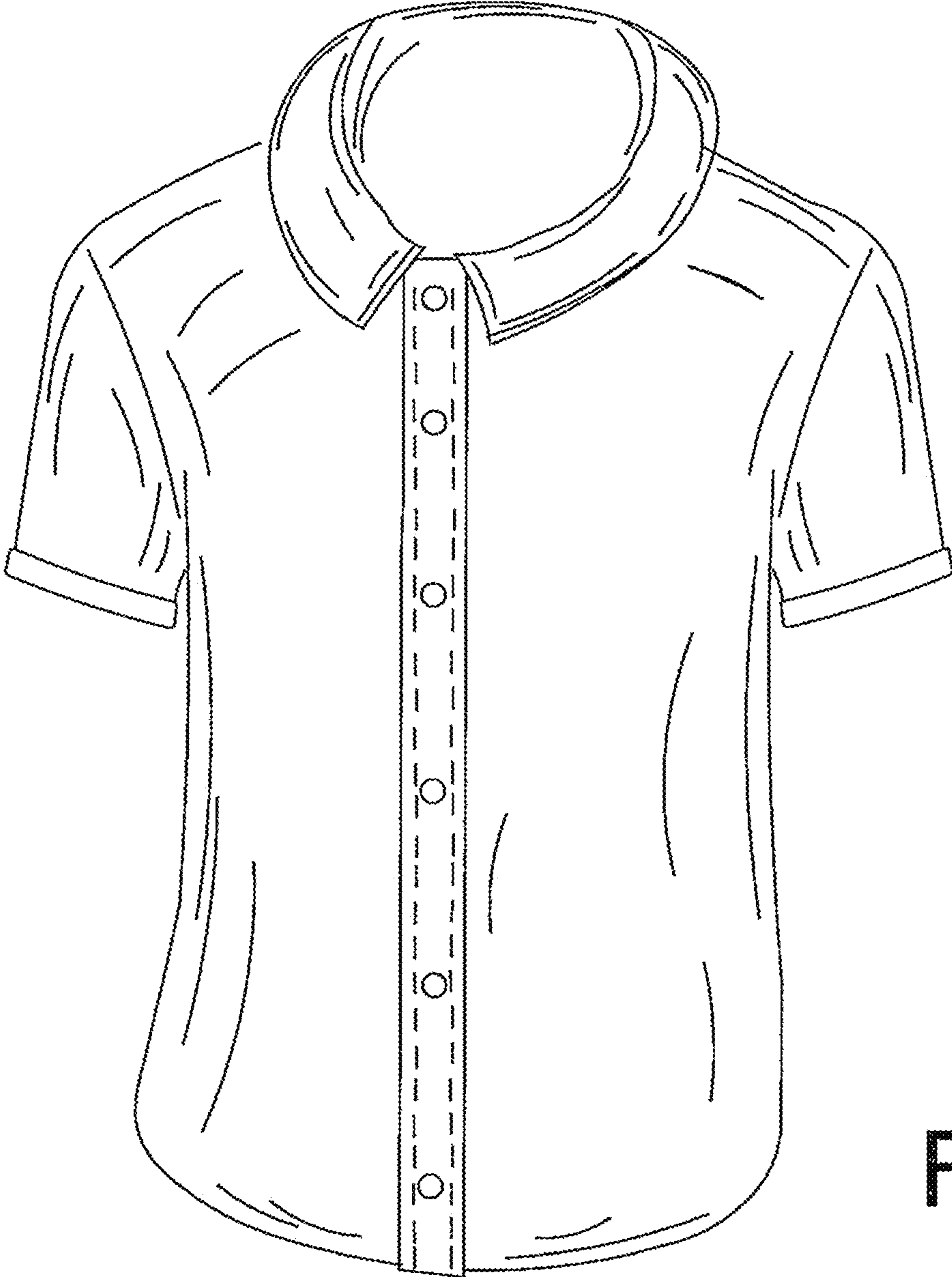


FIG.2



FIG.3

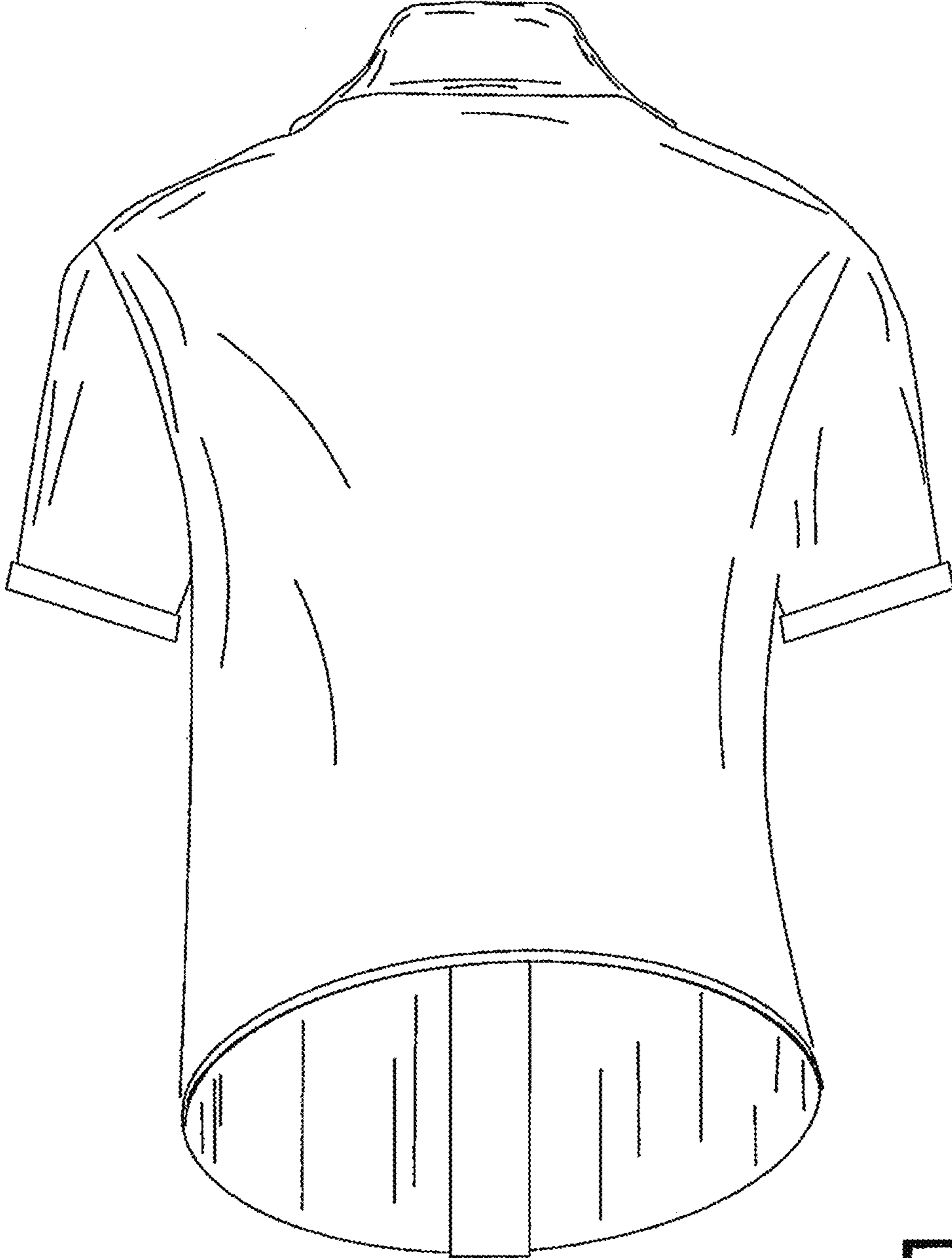


FIG.4

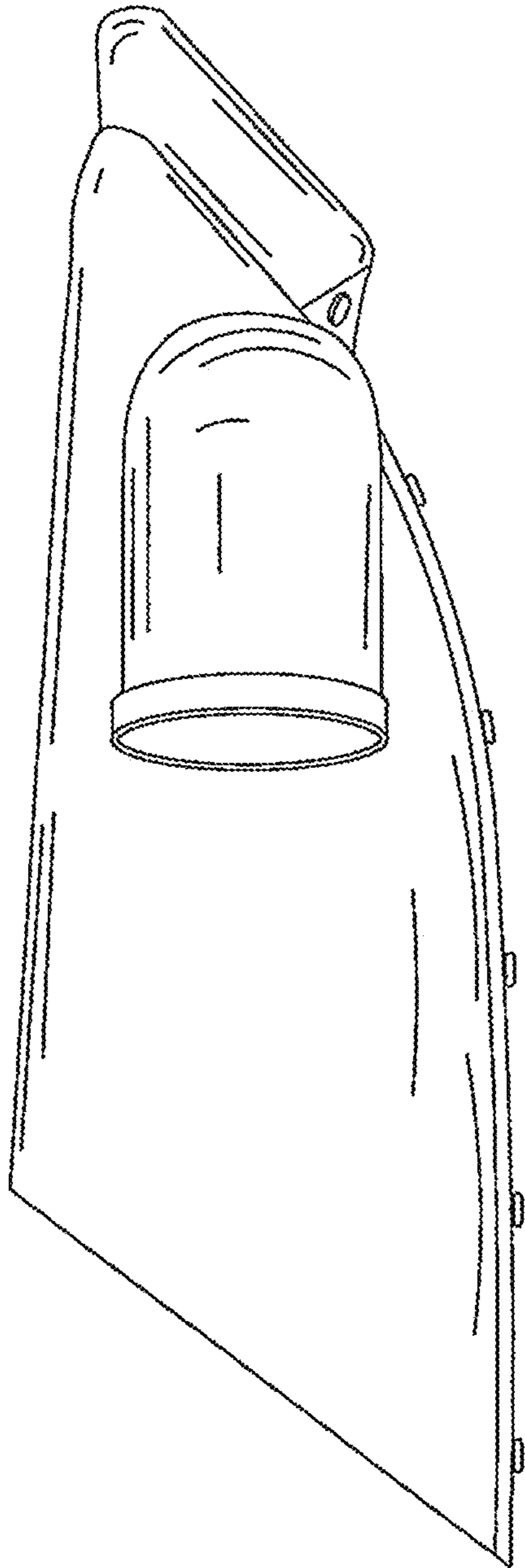


FIG.5

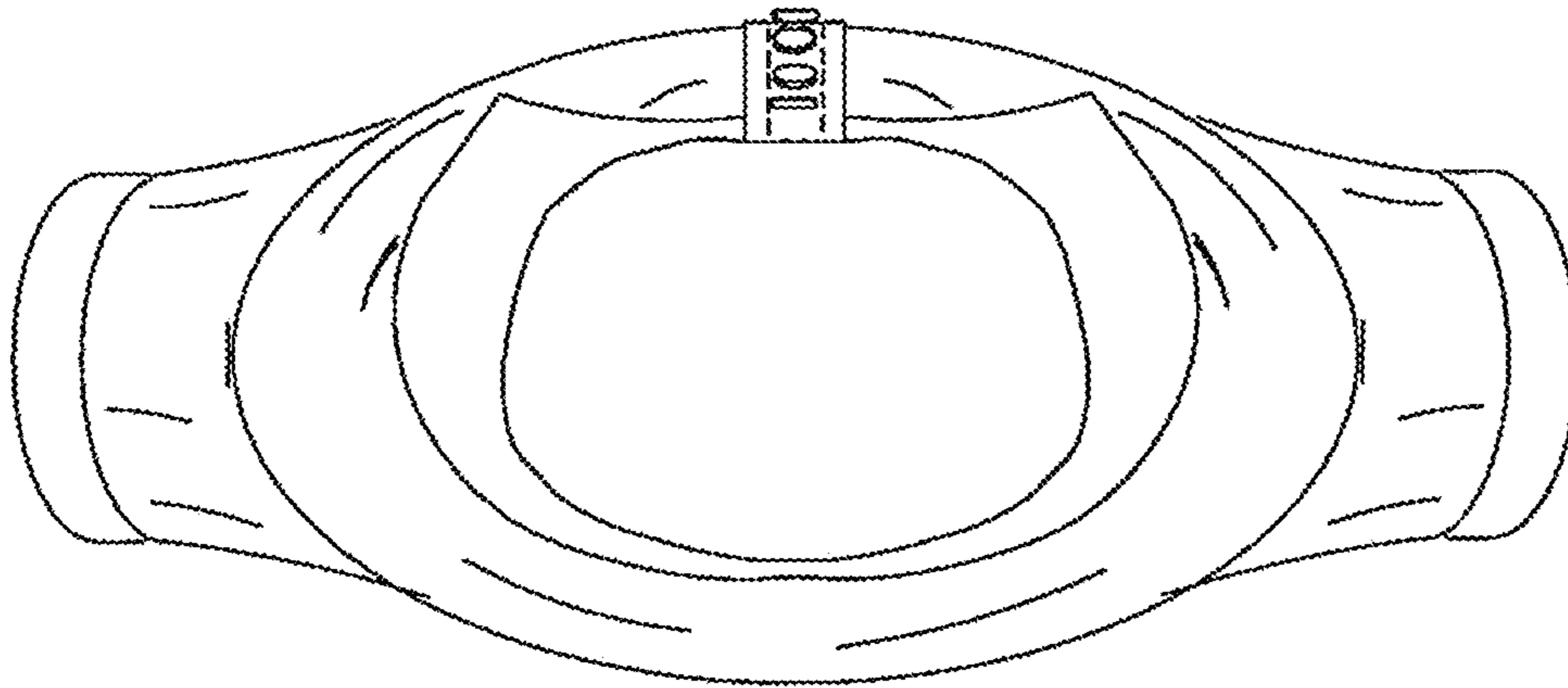


FIG.6

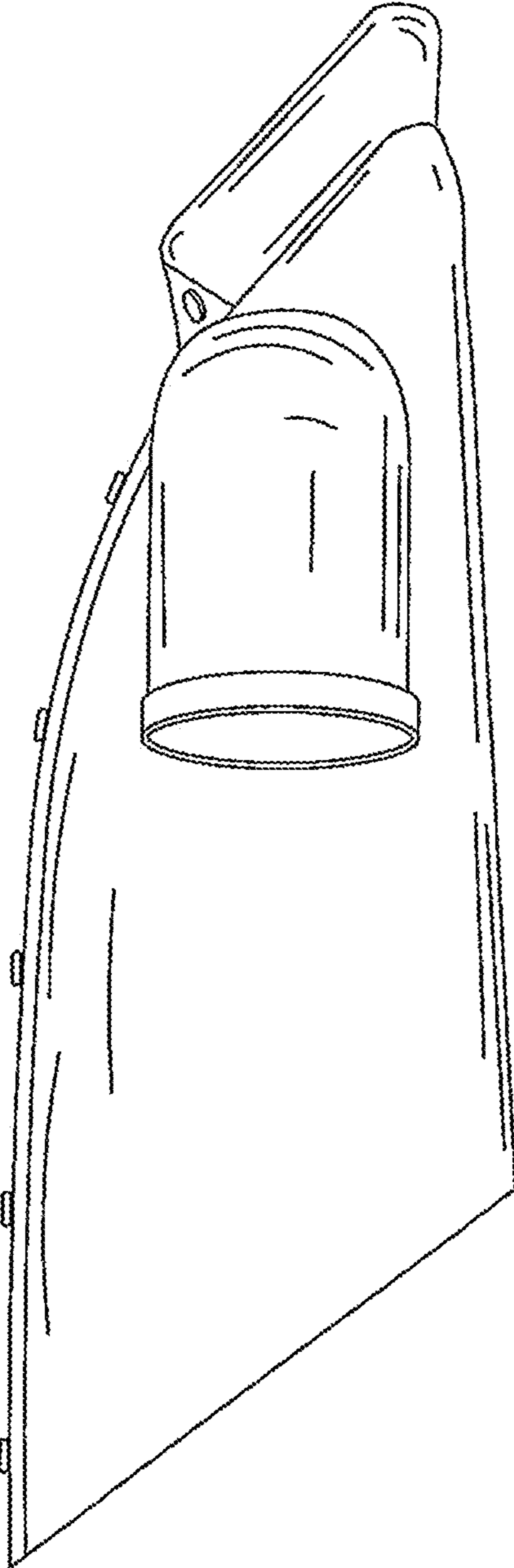


FIG.7

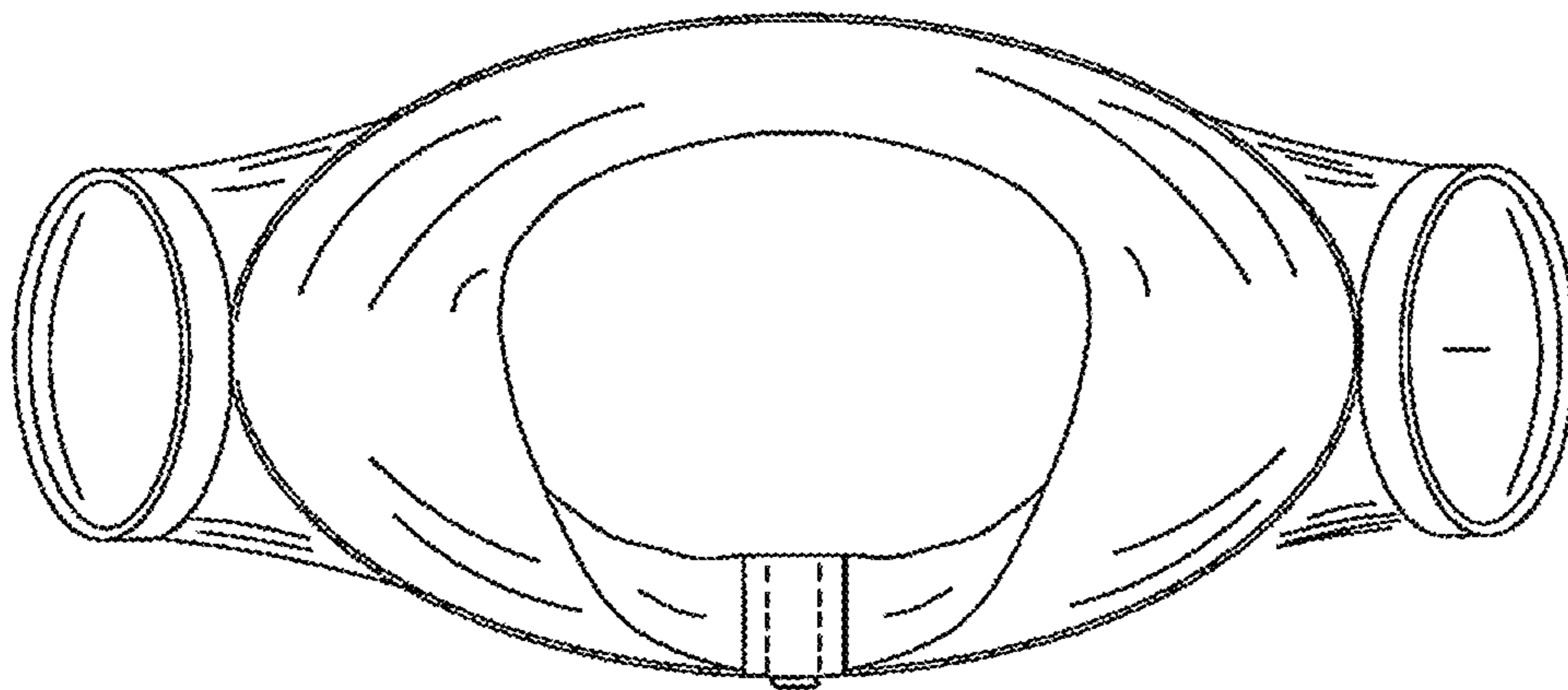


FIG.8