



US00D974002S

(12) **United States Design Patent** (10) **Patent No.:** **US D974,002 S**
Weed et al. (45) **Date of Patent:** **** Jan. 3, 2023**

(54) **GLOVE UPPER**

D873,500 S 1/2020 Champagne
D889,069 S * 7/2020 Butts D2/617
D918,482 S * 5/2021 Whiteside D2/617
2021/0401078 A1* 12/2021 Butts A41D 31/02

(71) Applicant: **THE HILLMAN GROUP, INC.**,
Cincinnati, OH (US)

(72) Inventors: **Christopher Matthew Weed**, Marietta,
GA (US); **Mark Lee Butts**, Atlanta,
GA (US); **Jarrold Thomas Streng**,
Atlanta, GA (US); **James Blake Fievet**,
Decatur, GA (US); **Jing Li**, Atlanta, GA
(US)

(73) Assignee: **THE HILLMAN GROUP, INC.**,
Cincinnati, OH (US)

(**) Term: **15 Years**

(21) Appl. No.: **29/739,336**

(22) Filed: **Jun. 24, 2020**

(51) **LOC (14) Cl.** **02-06**

(52) **U.S. Cl.**
USPC **D2/619**

(58) **Field of Classification Search**
USPC D2/617, 618, 619, 620, 621, 622, 623;
D29/113, 116.2, 117.1, 117.2, 118, 119,
D29/120.1
CPC A41D 19/015; A41D 13/081; A41D 19/00
See application file for complete search history.

(56) **References Cited**

U.S. PATENT DOCUMENTS

D44,890 S * 11/1913 Hutchens D5/53
D299,564 S 1/1989 Pierce, Jr.
D379,680 S * 6/1997 Fabry D29/123
D717,498 S 11/2014 Leach
D748,343 S 1/2016 Wyatt
D824,599 S 7/2018 Lim
D824,640 S 8/2018 Votel
D844,254 S 3/2019 Lim

OTHER PUBLICATIONS

Firm Grip Large Pro-Fit Flex Impact Gloves, posted at homedepot.com, posting date Sep. 8, 2019, [online], [site visited Apr. 21, 2022]. Available from Internet, URL: <https://www.homedepot.com/p/FIRM-GRIP-Large-PRO-Fit-Flex-Impact-Gloves-55322-06/308906592> (Year: 2019).*

Mad Grip F50 Thunderdome Impact Gloves, posted at walmart.com, posting date not given, [online], [site visited Apr. 21, 2022]. Available from Internet, URL: <https://www.walmart.com/ip/Mad-Grip-F50-Thunderdome-Impact-Gloves-Grey-Black-XX-Large/182014979> (Year: 2022).*

(Continued)

Primary Examiner — Maria J. Edwards

(74) *Attorney, Agent, or Firm* — Thompson Hine LLP

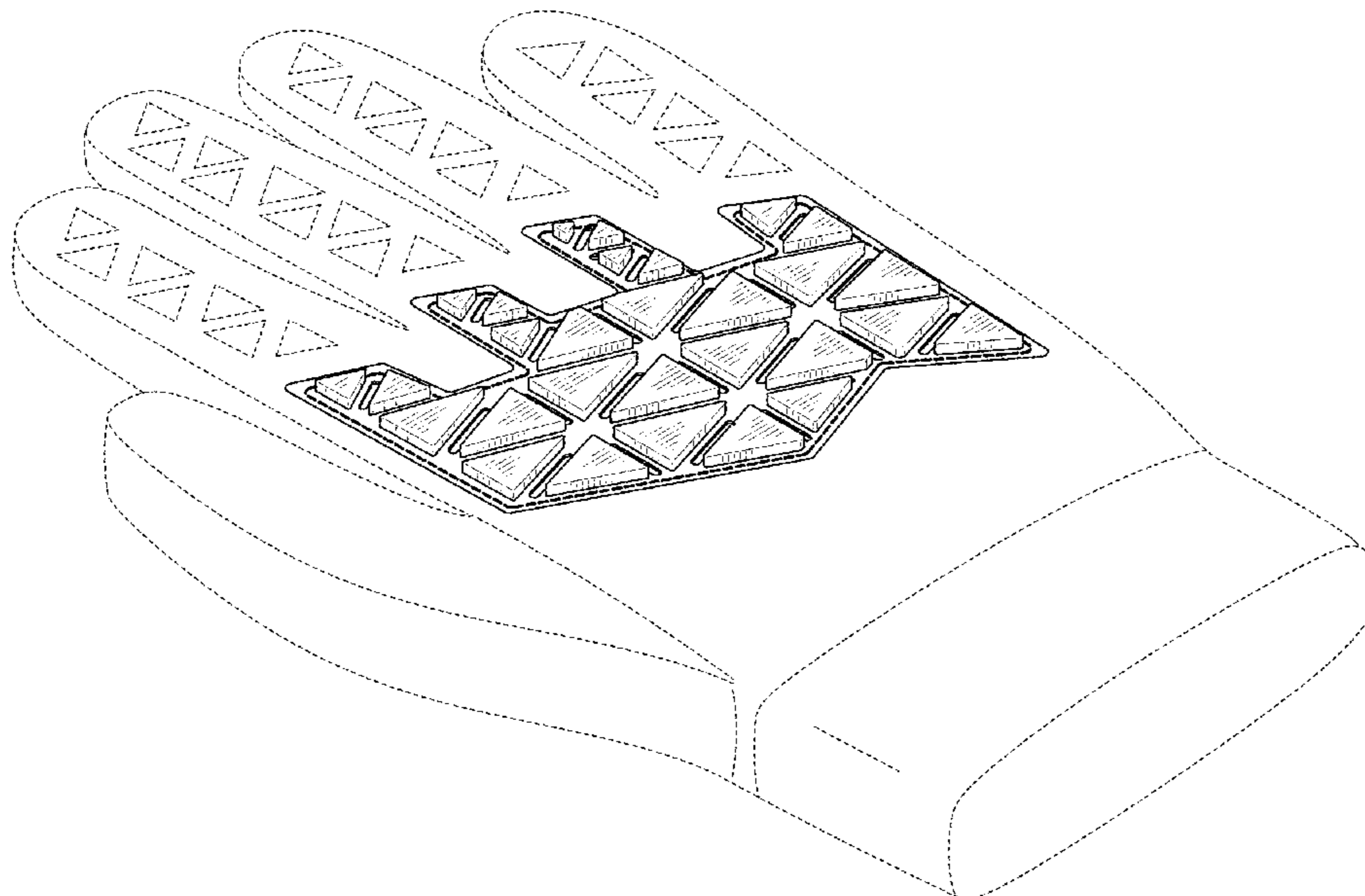
(57) **CLAIM**

The ornamental design for a glove upper, as shown and described.

DESCRIPTION

FIG. 1 is a perspective view of a glove upper; FIG. 2 is an end view of the glove upper; FIG. 3 is another end view of the glove upper; FIG. 4 is a side view of the glove upper; FIG. 5 is another side view of the glove upper; and, FIG. 6 is top plan view of the glove upper. The light dashed broken lines representing a glove depict environmental structure and form no part of the claimed design. The heavy dashed broken lines depict stitching and form part of the claimed design.

1 Claim, 4 Drawing Sheets



(56)

References Cited

OTHER PUBLICATIONS

Noble Equestrian Perfect Fit Gloves, posted at [doversaddlery.com](https://www.doversaddlery.com), posting date not given, [online], [site visited Apr. 21, 2022]. Available from Internet, URL: <https://www.doversaddlery.com/noble-perfect-fit-gloves/p/X1-39134/> (Year: 2022).*

Firm Grip Pro-Fit Flex Impact Gloves, posted at [homedepot.com](https://www.homedepot.com), posting date not given, [online], [site visited Jan. 29, 2020]. Available from Internet, URL: <https://www.homedepot.com/p/Firm-Grip-PRO-Fit-Flex-Impact-Gloves-X-Large-55323-06/308906987> (Year: 2020); 4 pages.

Ironclad Command Tactical Pro Gloves, posted at [amazon.com](https://www.amazon.com), posting date Mar. 21, 2019, [online], [site visited Jan. 29, 2020]. Available from Internet, URL: <https://www.amazon.com/Ironclad-Conductive-Suggested-Enforcement-Paintball/dp/B07PNBZSCG> (Year: 2019); 10 pages.

* cited by examiner

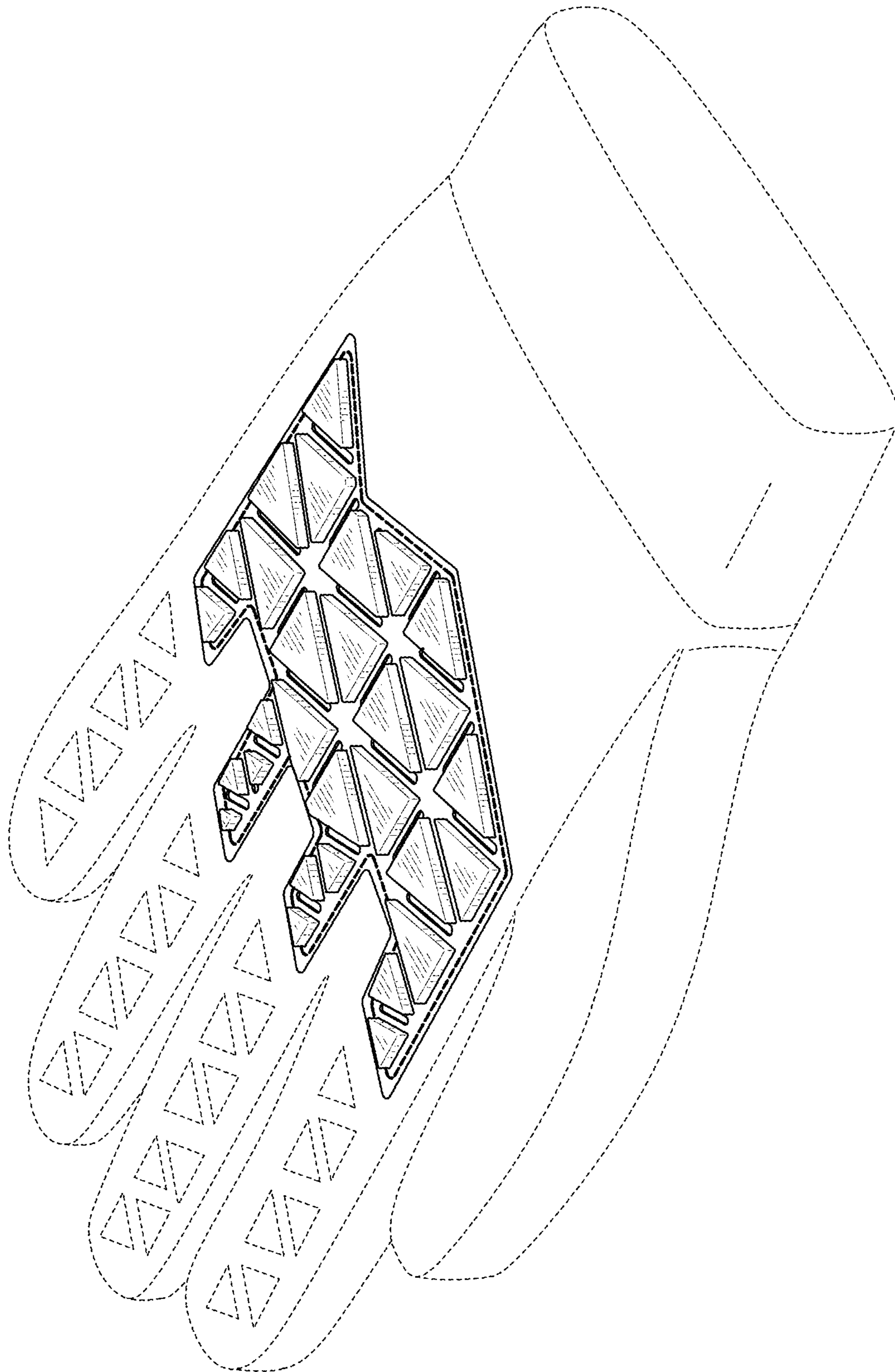


FIG. 1

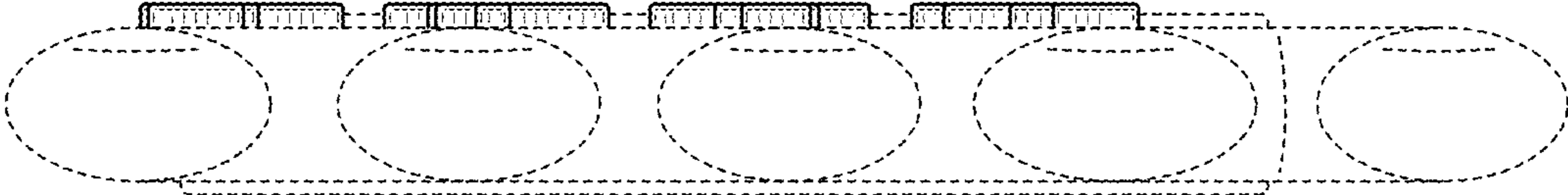


FIG. 2



FIG. 3

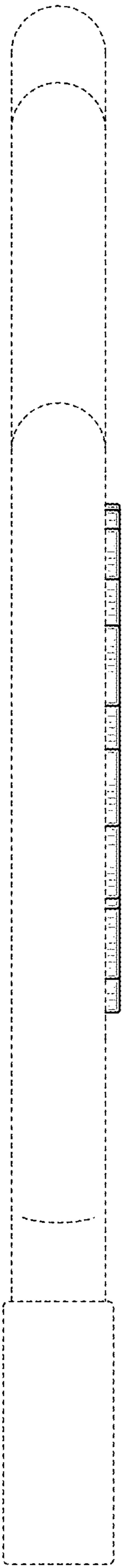


FIG. 4

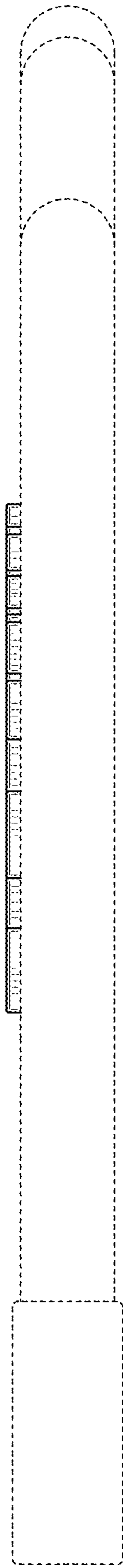


FIG. 5

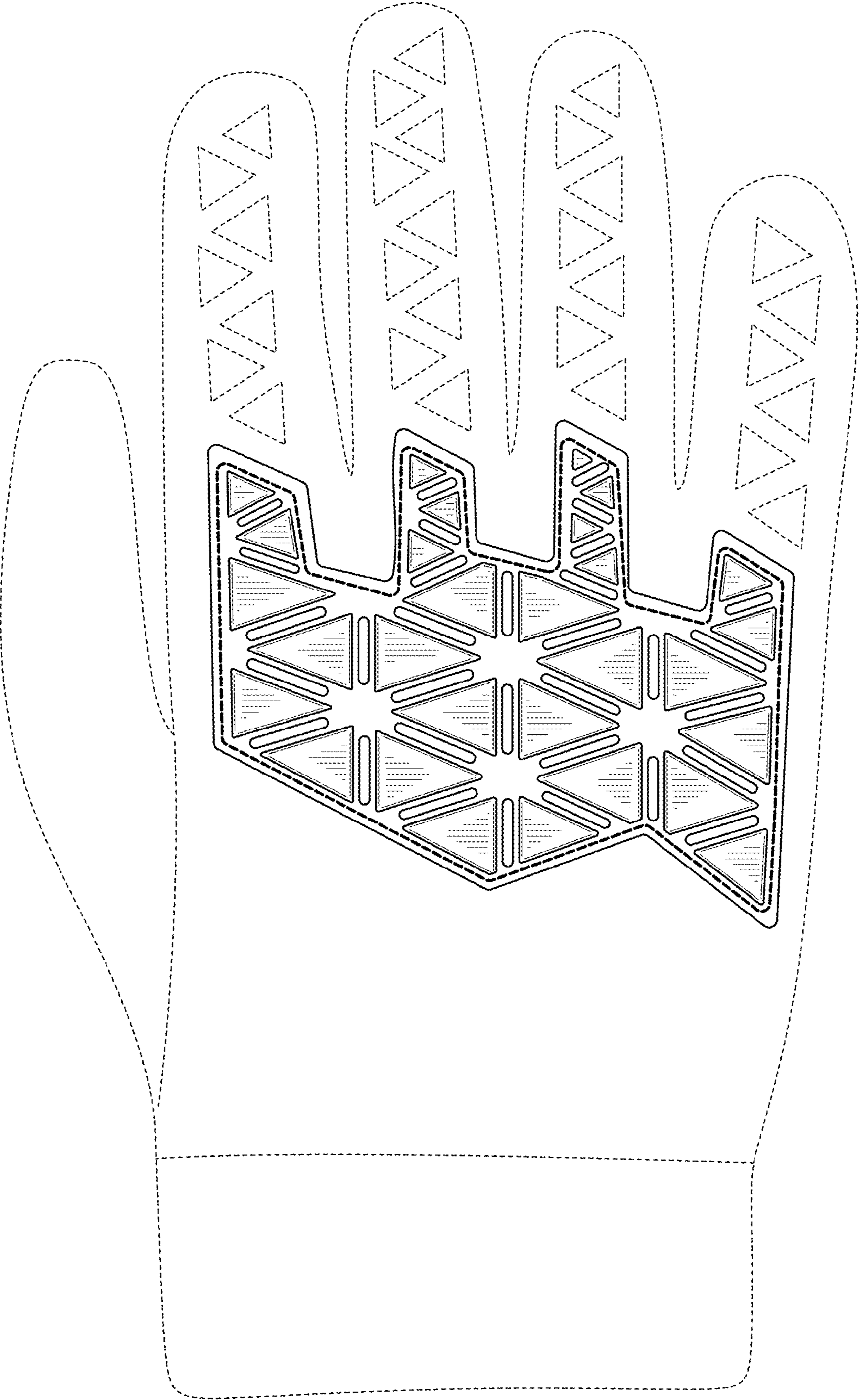


FIG. 6