



US00D973999S

(12) **United States Design Patent**
McCann et al.

(10) **Patent No.:** **US D973,999 S**
(45) **Date of Patent:** **** Jan. 3, 2023**

(54) **CHURRO-SHAPED PET TREAT**
(71) Applicant: **Spectrum Brands, Inc.**, Middleton, WI (US)

D381,185 S * 7/1997 Hauser D1/126
D478,705 S 8/2003 Dahl et al.
D515,275 S 2/2006 Leiweke et al.
(Continued)

(72) Inventors: **Allyse McCann**, Blacksburg, VA (US);
Tiffany Dawn Potter, Pearisburg, VA (US);
Erin VanTrease, Middleton, WI (US);
Stephanie Hullverson, St. Louis, MO (US)

FOREIGN PATENT DOCUMENTS

CN 301204716 5/2010
CN 301345136 9/2010
(Continued)

(73) Assignee: **Spectrum Brands, Inc.**, Middleton, WI (US)

Primary Examiner — Katie Jane Stofko
(74) *Attorney, Agent, or Firm* — Merchant & Gould P.C.

(**) Term: **15 Years**

(57) **CLAIM**

The ornamental design for a churro-shaped pet treat, as shown and described.

(21) Appl. No.: **29/769,808**

DESCRIPTION

(22) Filed: **Feb. 8, 2021**

(51) **LOC (14) Cl.** **01-01**

(52) **U.S. Cl.**
USPC **D1/125**

(58) **Field of Classification Search**
USPC D1/100–130, 199; 426/104, 115, 143,
426/144, 249, 274, 517, 518, 615, 805;
D21/386; D25/119, 121; D30/160;
D24/102, 103; D34/28, 29
CPC . A23G 9/503; A23G 9/48; B26D 3/26; B26D
3/11; A23L 1/217
See application file for complete search history.

FIG. 1 is a front, top and left side perspective view of a first embodiment of a churro-shaped pet treat according to the new design;
FIG. 2 is a left side elevation view thereof;
FIG. 3 is a right side elevation view thereof;
FIG. 4 is a front elevation view thereof;
FIG. 5 is a rear elevation view thereof;
FIG. 6 is a top plan view thereof;
FIG. 7 is a bottom plan view thereof;
FIG. 8 is a front, top and left side perspective view of a second embodiment of a churro-shaped pet treat according to the new design;
FIG. 9 is left side elevation view thereof;
FIG. 10 is a right side elevation view thereof;
FIG. 11 is a front elevation view thereof;
FIG. 12 is a rear elevation view thereof;
FIG. 13 is a top plan view thereof; and,
FIG. 14 is bottom plan view thereof.

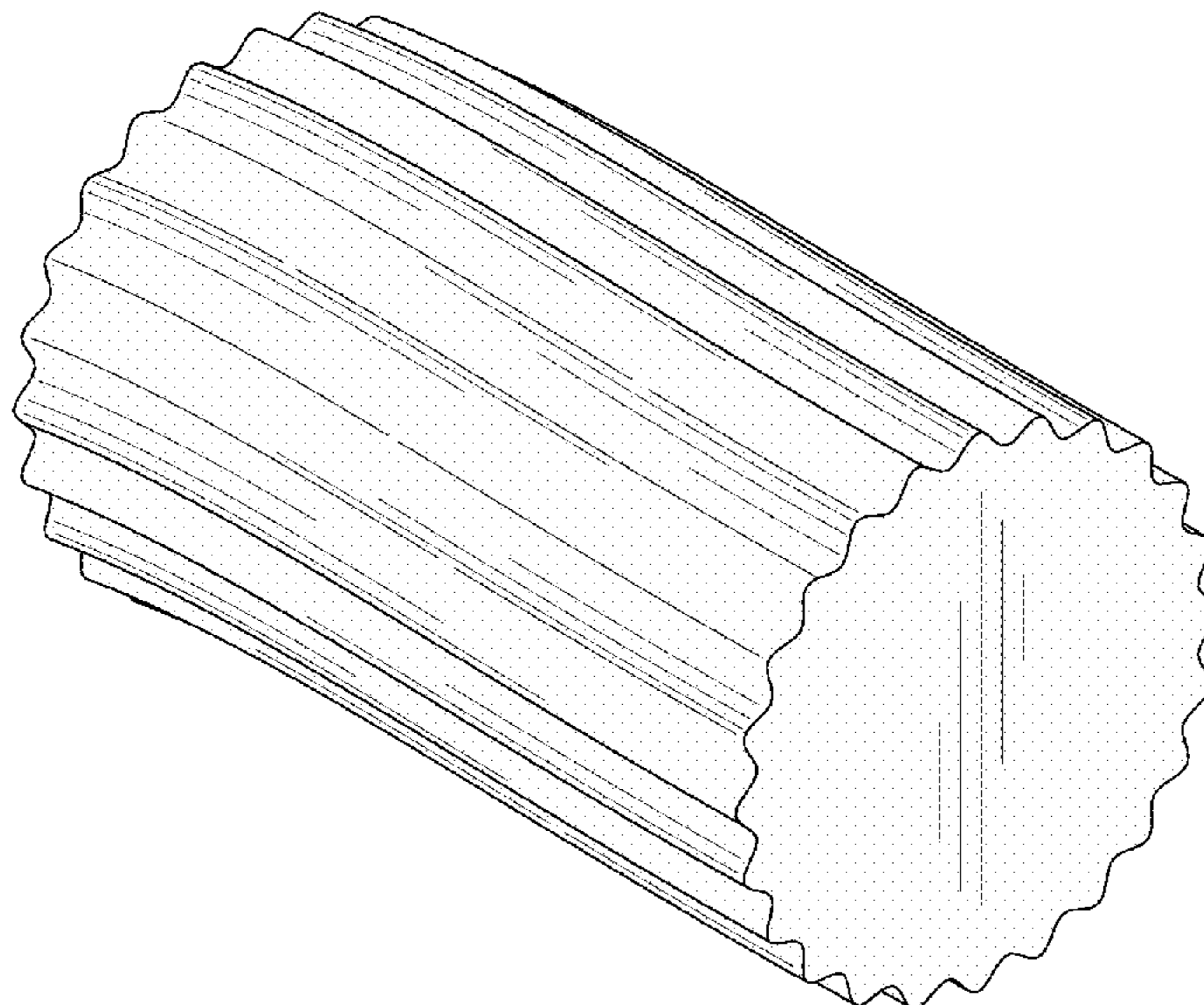
(56) **References Cited**

U.S. PATENT DOCUMENTS

1,802,306 A * 4/1931 Baker A23G 9/48
D1/101
3,541,946 A * 11/1970 Johnston A23P 30/25
222/129
4,273,788 A * 6/1981 Bone A23K 50/42
426/106
5,194,283 A * 3/1993 Dupas A23C 19/0908
426/282

The break lines shown in the middle portion of the churro-shaped pet treat in FIGS. 8-10 and 13-14 indicate that the appearance of any portion of the article between the break lines forms no part of the claimed design.

1 Claim, 8 Drawing Sheets



(56)

References Cited

U.S. PATENT DOCUMENTS

D517,774 S 3/2006 Jia et al.
 D538,506 S * 3/2007 Mendes D1/122
 D585,177 S 1/2009 Wylie
 D585,627 S 2/2009 Wylie
 D591,926 S 5/2009 Jia et al.
 D593,277 S 6/2009 Wylie
 D603,134 S 11/2009 Powell
 D603,135 S 11/2009 Unlu et al.
 D603,136 S 11/2009 Unlu et al.
 D603,578 S 11/2009 Townsend et al.
 D603,579 S 11/2009 Townsend et al.
 D609,477 S * 2/2010 Leppert D13/153
 D621,578 S 8/2010 Farkas et al.
 D633,277 S 3/2011 Freije
 D648,917 S 11/2011 Farkas et al.
 D658,847 S 5/2012 Wylie
 D661,868 S 6/2012 Takeda et al.
 D666,705 S * 9/2012 Andersen D23/366
 D701,666 S 4/2014 Stern et al.
 D705,516 S 5/2014 Slusarczyk et al.
 D714,016 S 9/2014 Slusarczyk et al.
 8,877,277 B2 * 11/2014 Ganjyal A23L 19/09
 426/450
 D747,068 S 1/2016 Walsh
 D752,317 S 3/2016 Baikie

D789,651 S 6/2017 Wilson et al.
 D793,650 S 8/2017 Herrenbruck
 D822,321 S * 7/2018 McGrath D1/125
 D822,334 S 7/2018 Baikie
 D876,046 S 2/2020 Shrestha
 D876,047 S 2/2020 Herrenbruck
 D878,618 S * 3/2020 Kafker D24/211
 D923,911 S * 7/2021 van Eyk D1/101
 2016/0205986 A1 * 7/2016 Walther A23J 3/16

FOREIGN PATENT DOCUMENTS

CN 302094644 10/2012
 CN 303162266 4/2015
 CN 303342193 8/2015
 CN 304364722 11/2017
 CN 304484676 2/2018
 CN 304574119 4/2018
 CN 305992144 8/2020
 EM 000309604-0006 6/2005
 EM 002183681-0002 4/2013
 EM 001244354-0002 5/2013
 EM 002513580-0001 8/2014
 EM 003142603-0001 7/2016
 EM 004046753-0061 8/2017
 EM 004046753-0089 8/2017
 EM 005296019-0001 6/2018

* cited by examiner

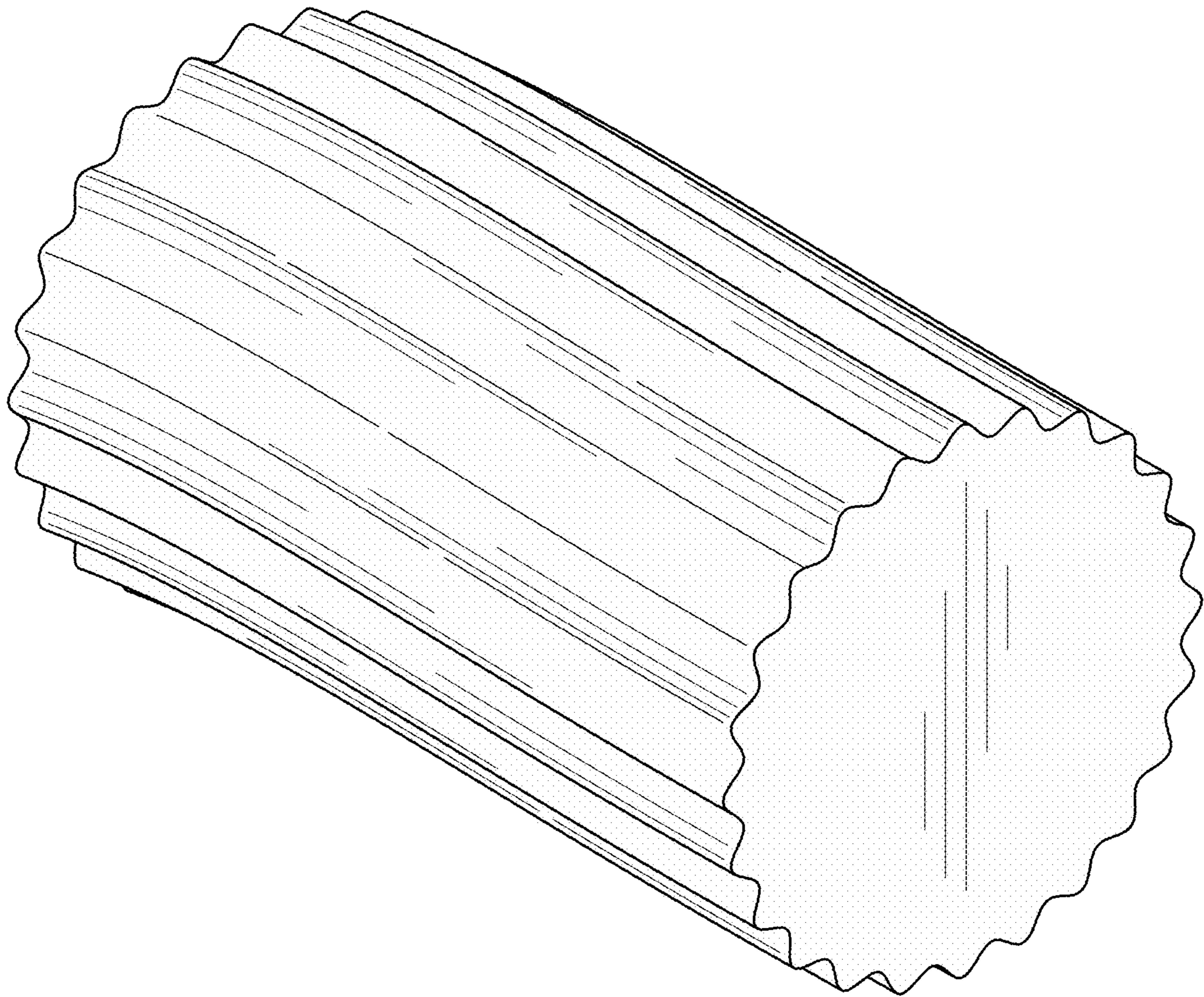


FIG. 1

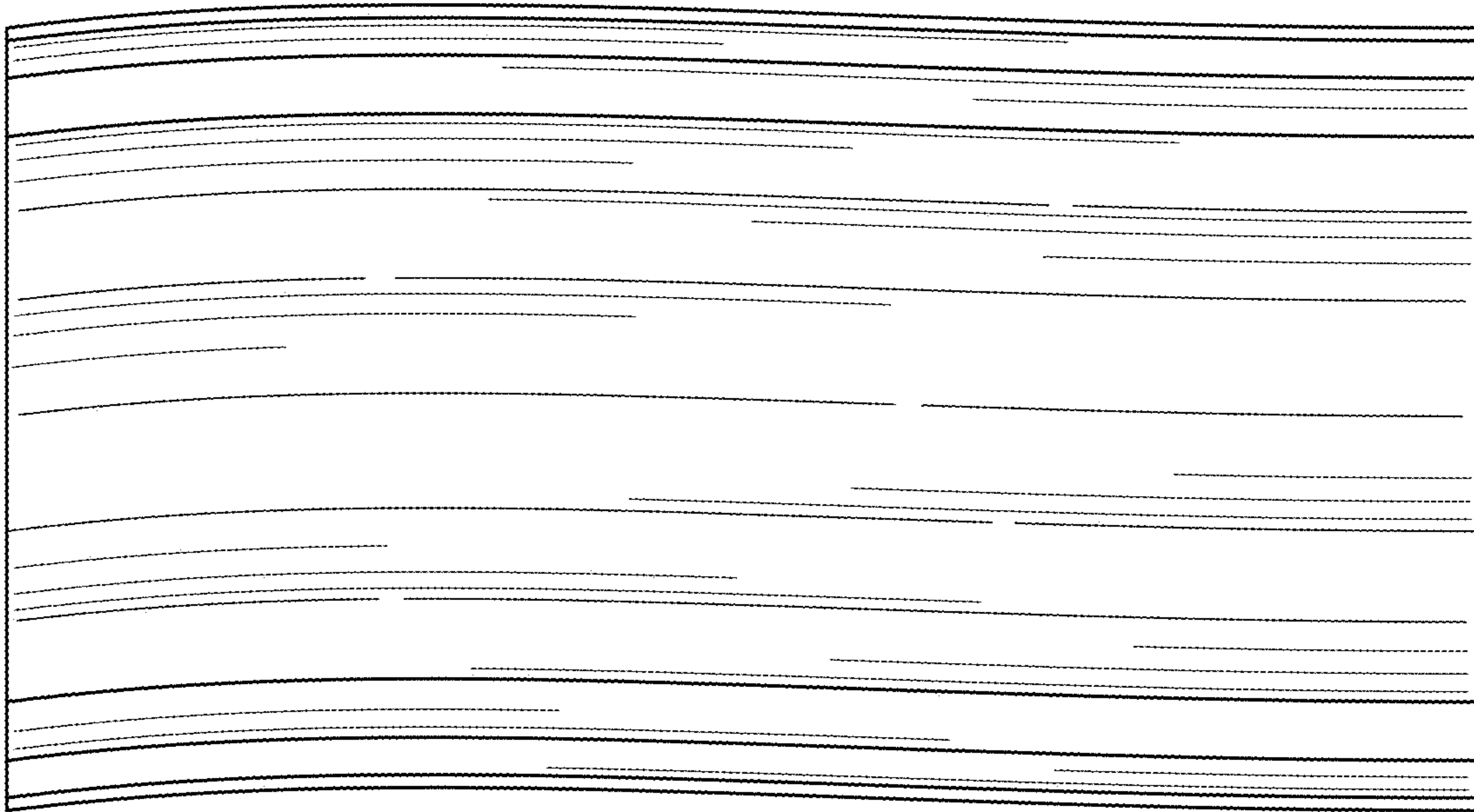


FIG. 2

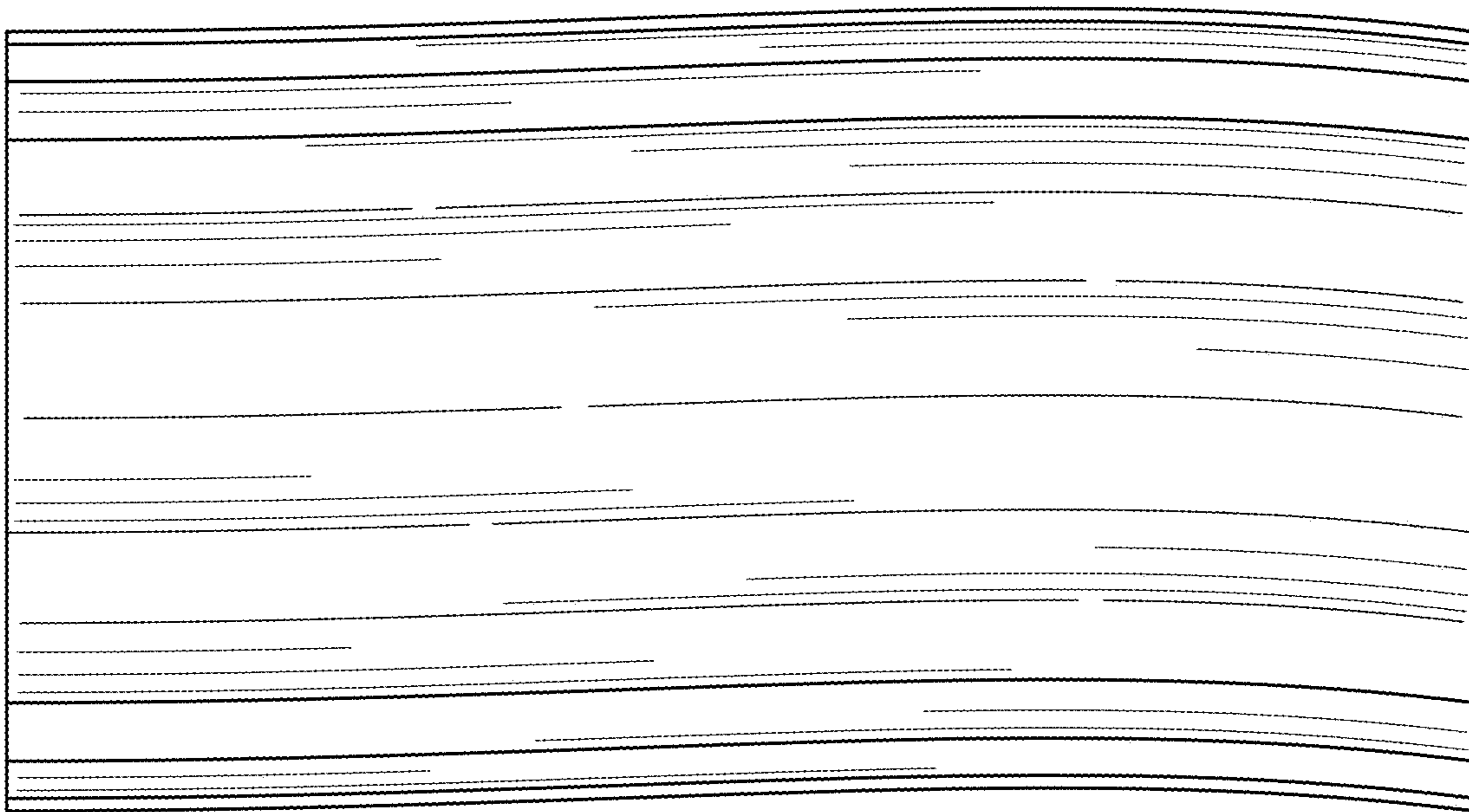


FIG. 3

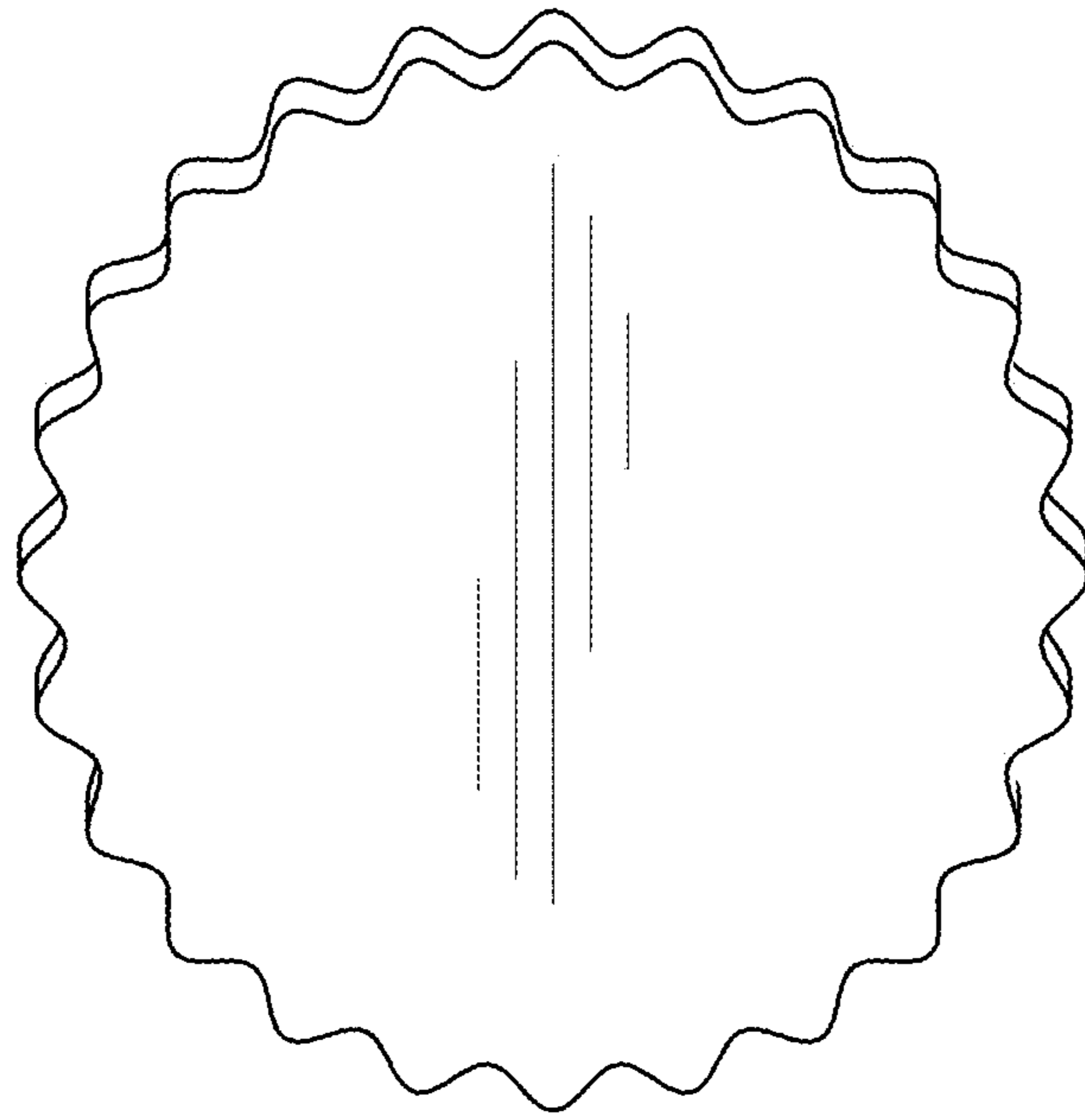


FIG. 4

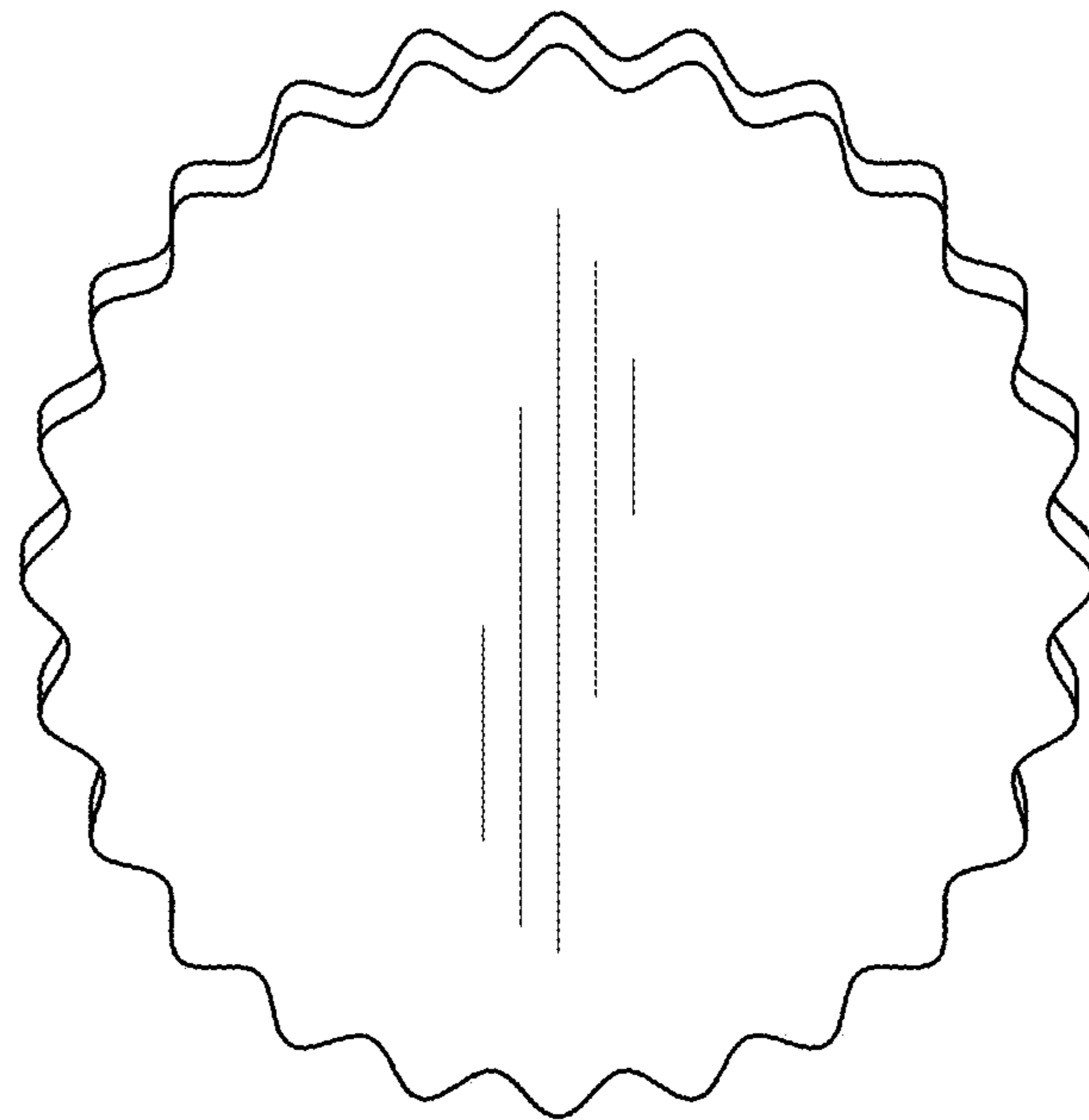


FIG. 5

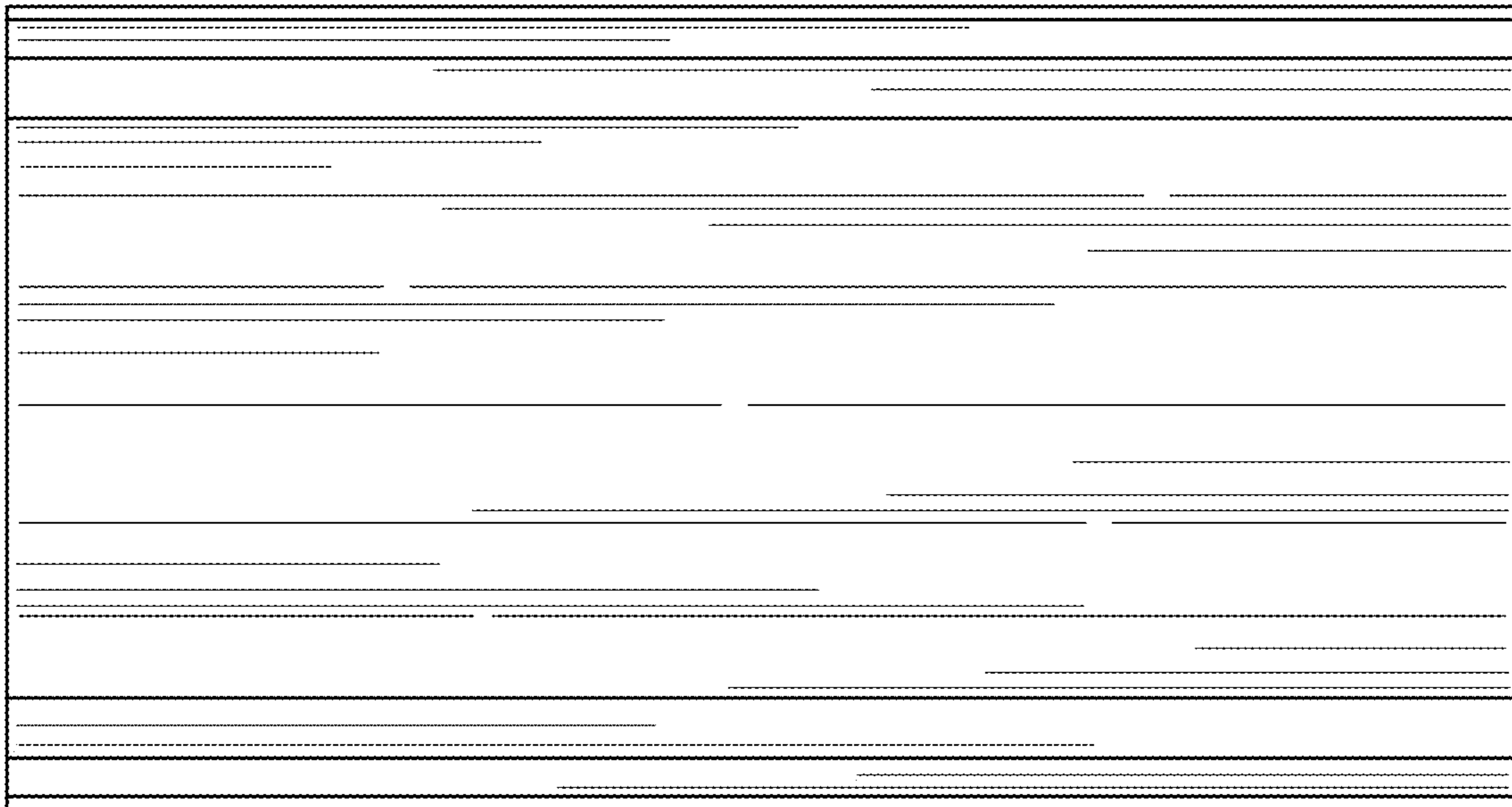


FIG. 6

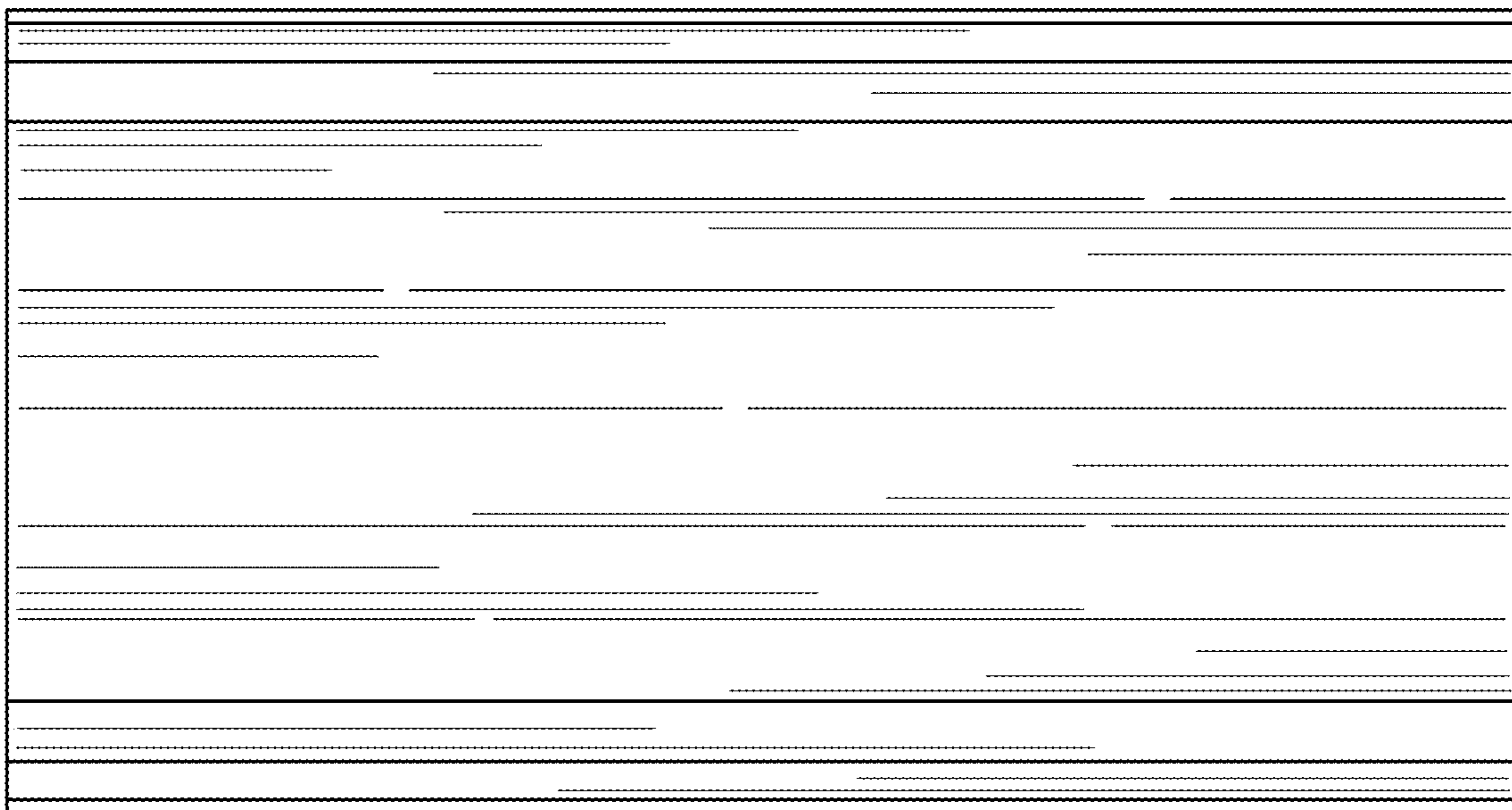


FIG. 7

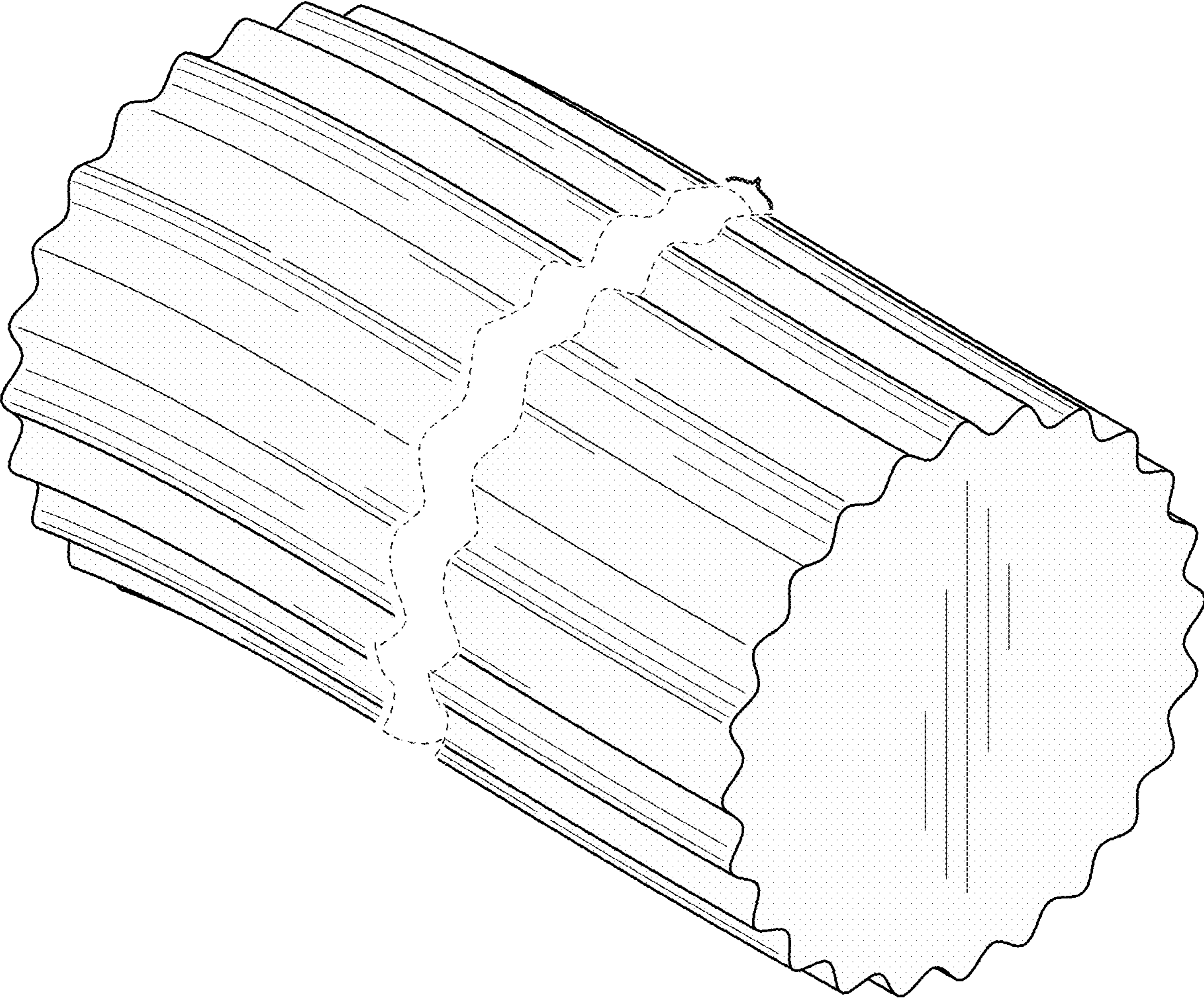


FIG. 8

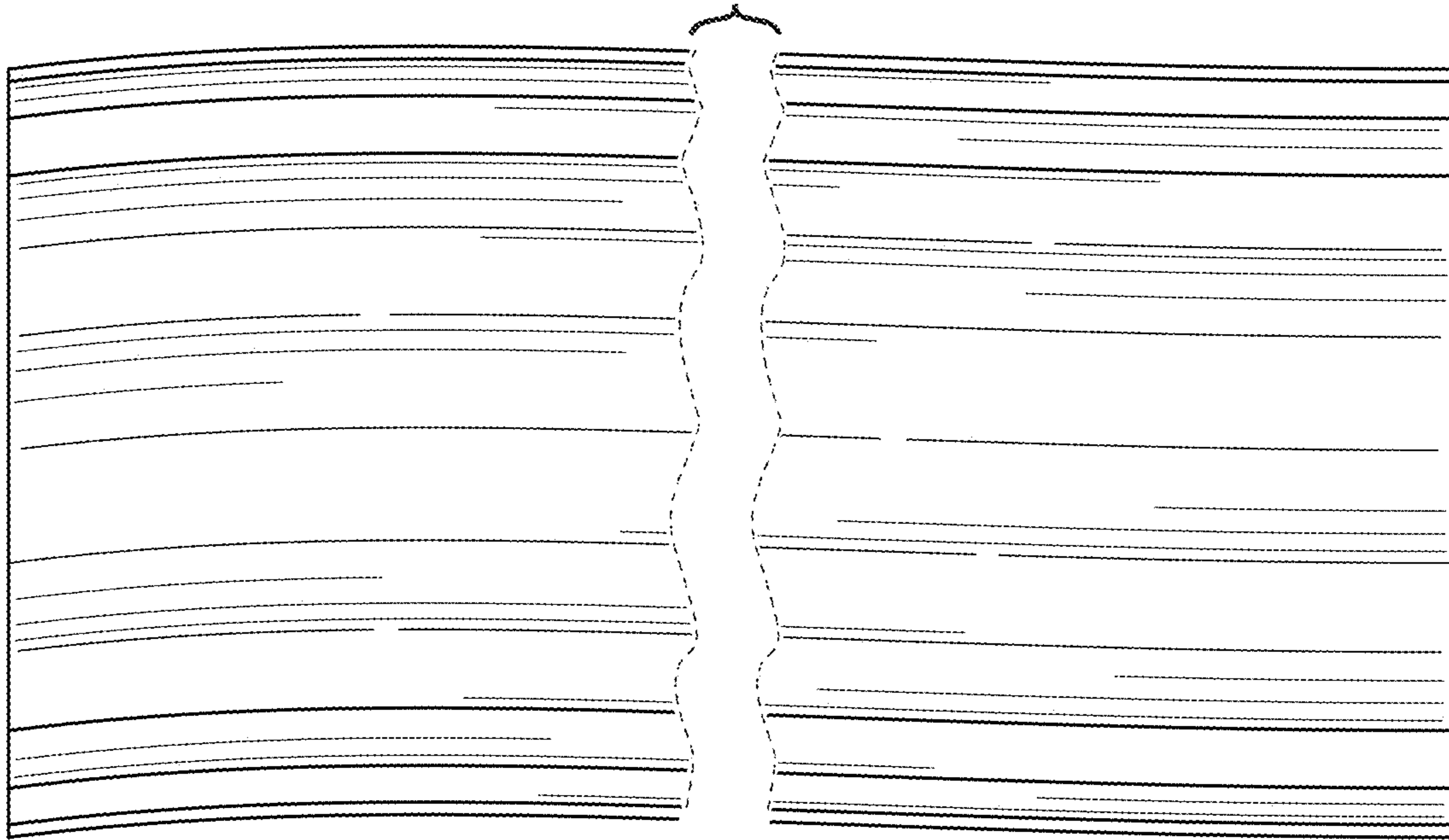


FIG. 9

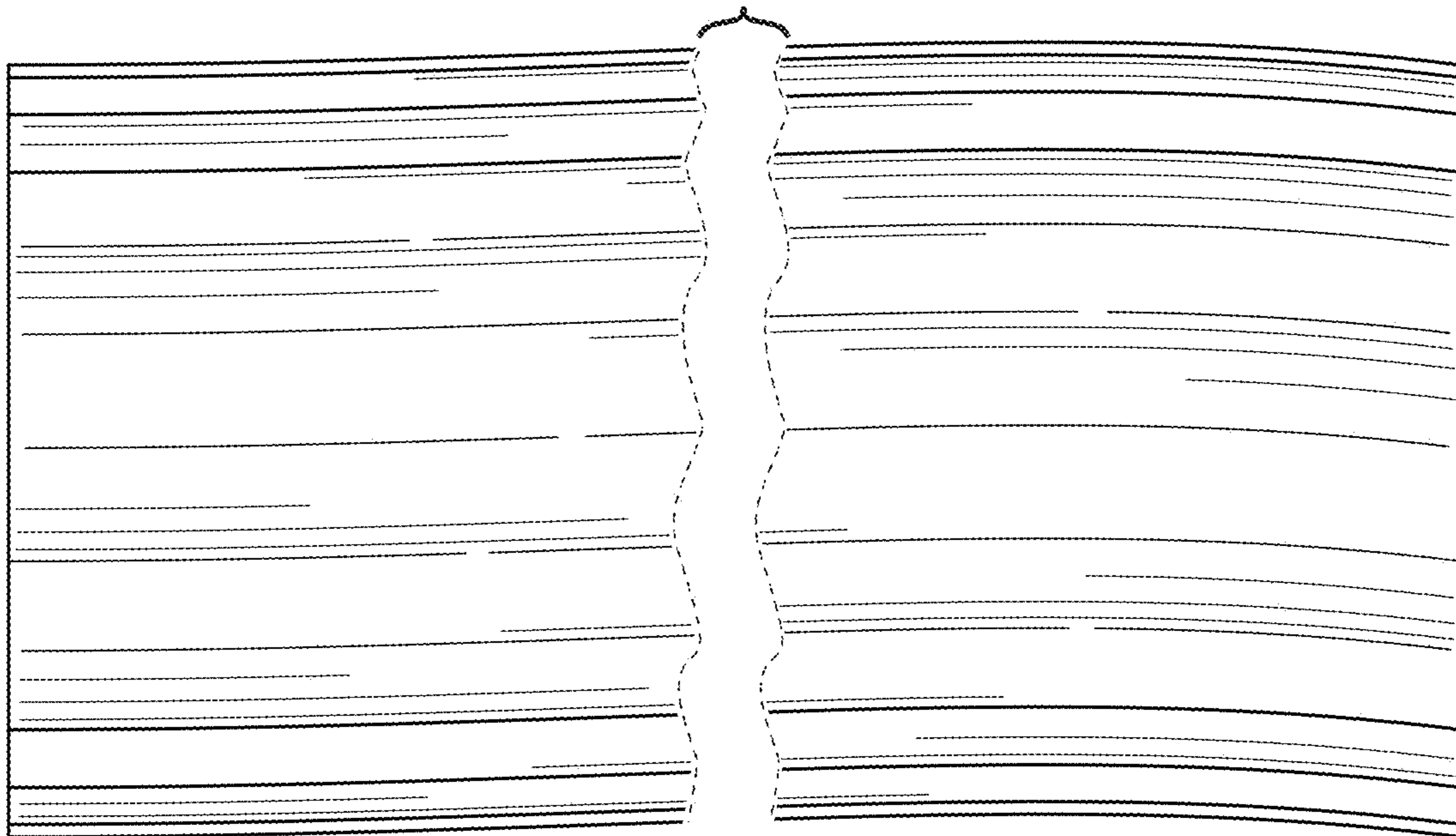


FIG. 10

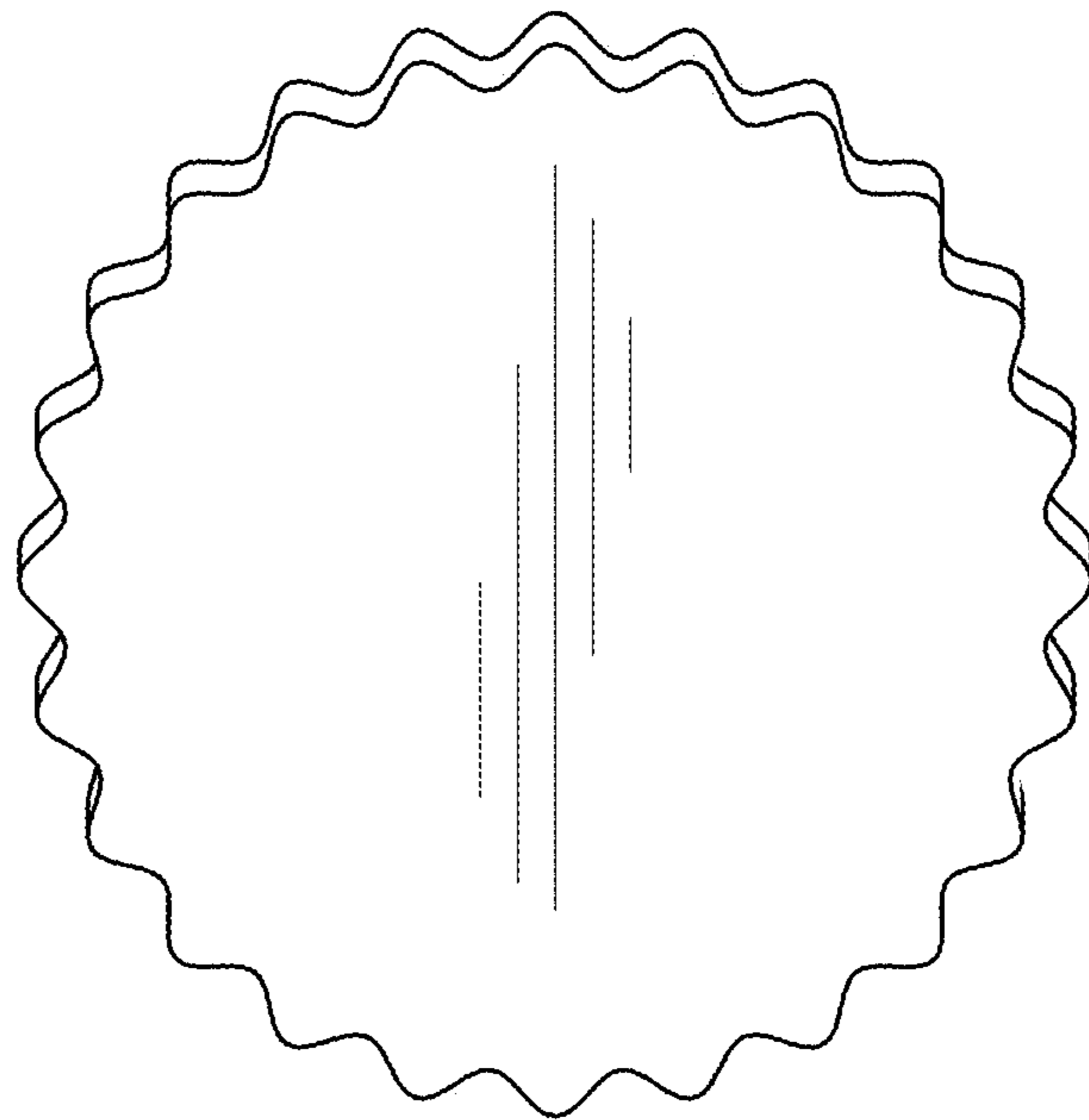


FIG. 11

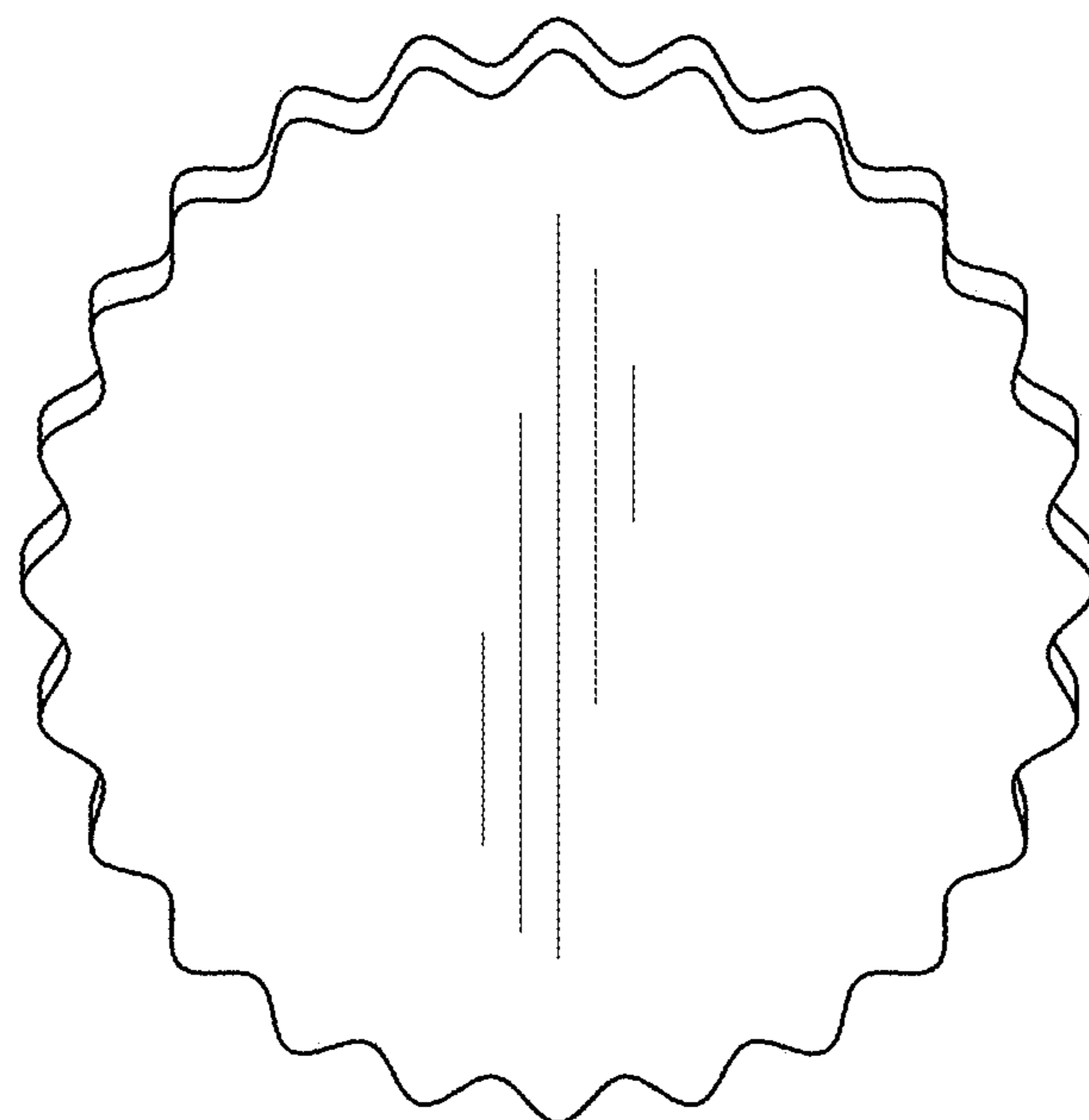


FIG. 12

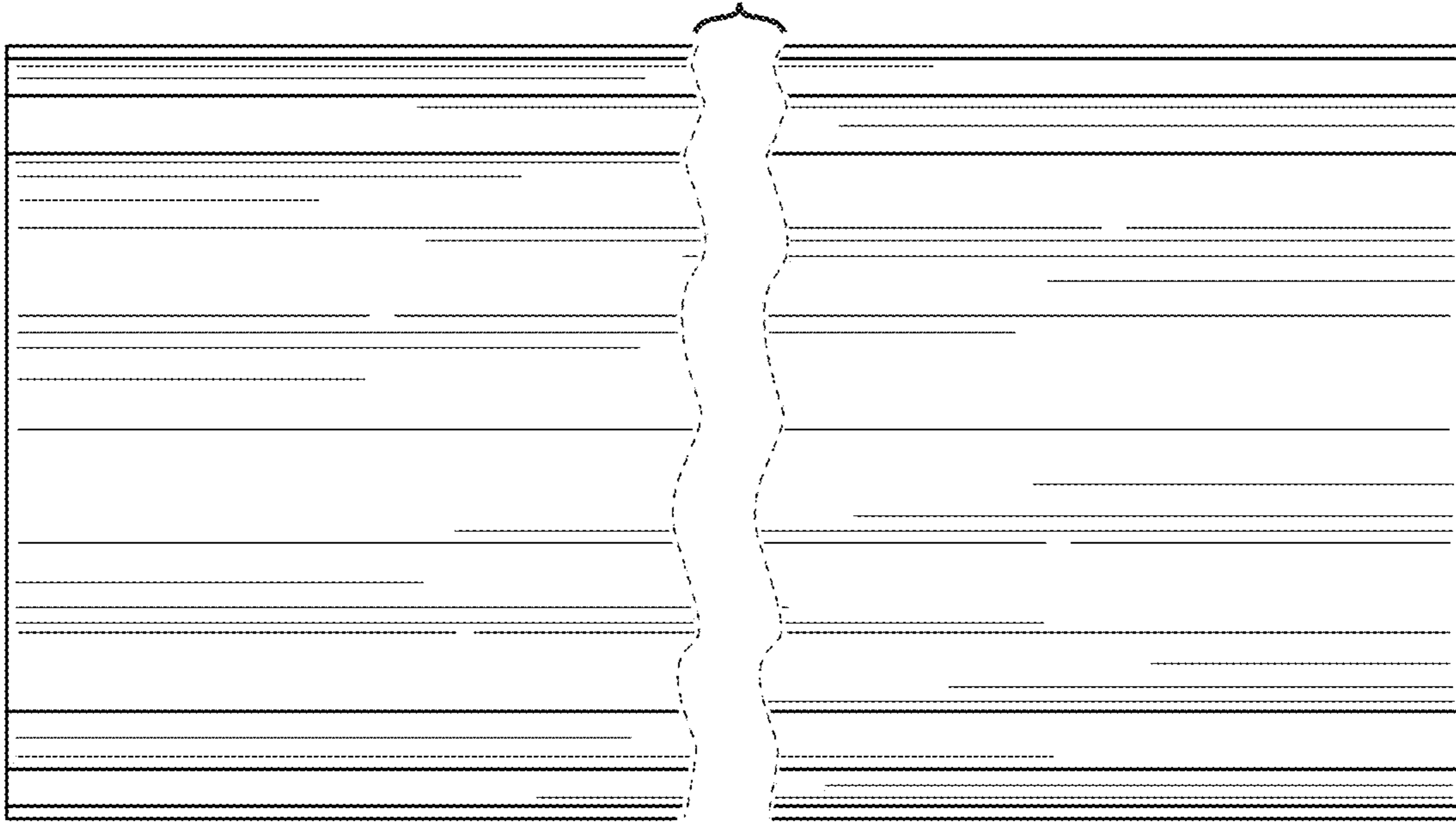


FIG. 13

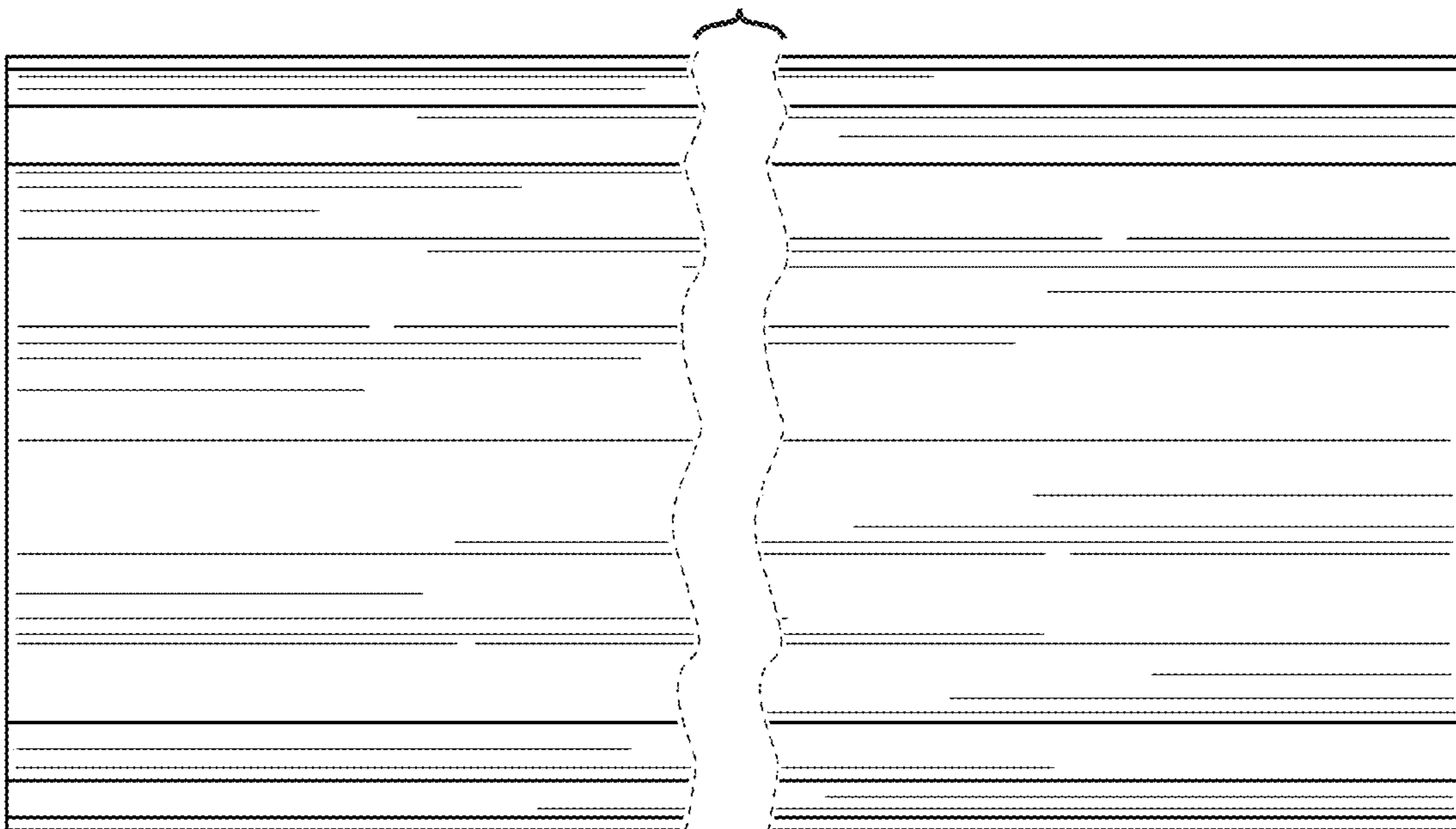


FIG. 14