



US00D973998S

(12) **United States Design Patent** (10) **Patent No.:** **US D973,998 S**  
**Güttinger et al.** (45) **Date of Patent:** **\*\* Jan. 3, 2023**

(54) **FRUIT GUM**

(56) **References Cited**

(71) Applicant: **Innutri AG**, Schlieren (CH)

U.S. PATENT DOCUMENTS

(72) Inventors: **Samuel Güttinger**, St. Gallen (CH);  
**Anja Aubert**, Thalwil (CH)

D220,330 S *	3/1971	Tripp	D1/110
D316,922 S *	5/1991	Alpers	D1/110
D318,556 S *	7/1991	Alpers	D1/110
D324,307 S *	3/1992	Lin	D7/710
D401,317 S *	11/1998	Gillies	D23/358
D627,183 S *	11/2010	Holdridge	D21/604
D731,142 S *	6/2015	Clement	D1/128
D772,710 S *	11/2016	Katopis	D9/451
D867,688 S *	11/2019	Crane	D21/659
D919,329 S *	5/2021	Oxnard	D6/598
D926,981 S *	8/2021	Farzin	D24/147
D944,038 S *	2/2022	Oxnard	D6/603
2003/0135926 A1 *	7/2003	Ong	A47G 9/083 5/639

(\*\*) Term: **15 Years**

(21) Appl. No.: **35/512,913**

(22) Filed: **Oct. 19, 2021**

(80) **Hague Agreement Data**

Int. Filing Date: **Oct. 19, 2021**

Int. Reg. No.: **DM/217117**

Int. Reg. Date: **Oct. 19, 2021**

Int. Reg. Pub. Date: **Nov. 12, 2021**

\* cited by examiner

*Primary Examiner* — Katie Jane Stofko

(51) **LOC (14) Cl.** ..... **01-01**

(57) **CLAIM**

The ornamental design for a fruit gum, as shown and described.

(52) **U.S. Cl.**

USPC ..... **D1/109; D1/127**

**DESCRIPTION**

(58) **Field of Classification Search**

USPC ..... D1/100–130, 199; 426/92, 94, 104, 134,  
426/138, 143, 275, 277, 279, 281–284,  
426/292, 295, 391, 496, 514, 566, 572,  
426/660; D21/577, 604, 605; D9/608;  
D24/102; D7/676; D11/31, 49, 82;  
D6/598; 446/369

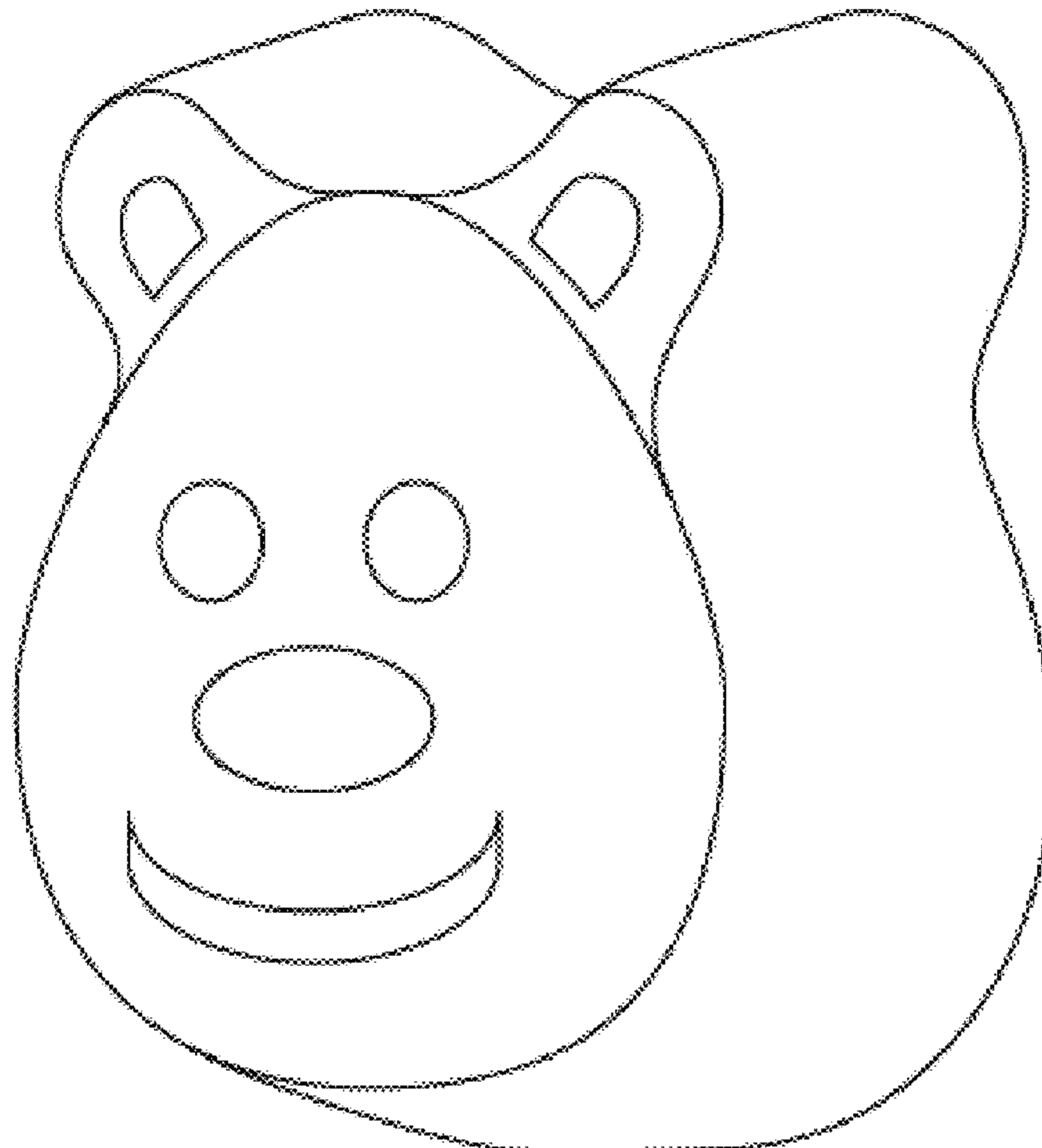
CPC ..... A23G 3/54; A61K 9/2072; A61K 9/0004;  
A61K 9/2095; A61K 9/209

1. Fruit gum

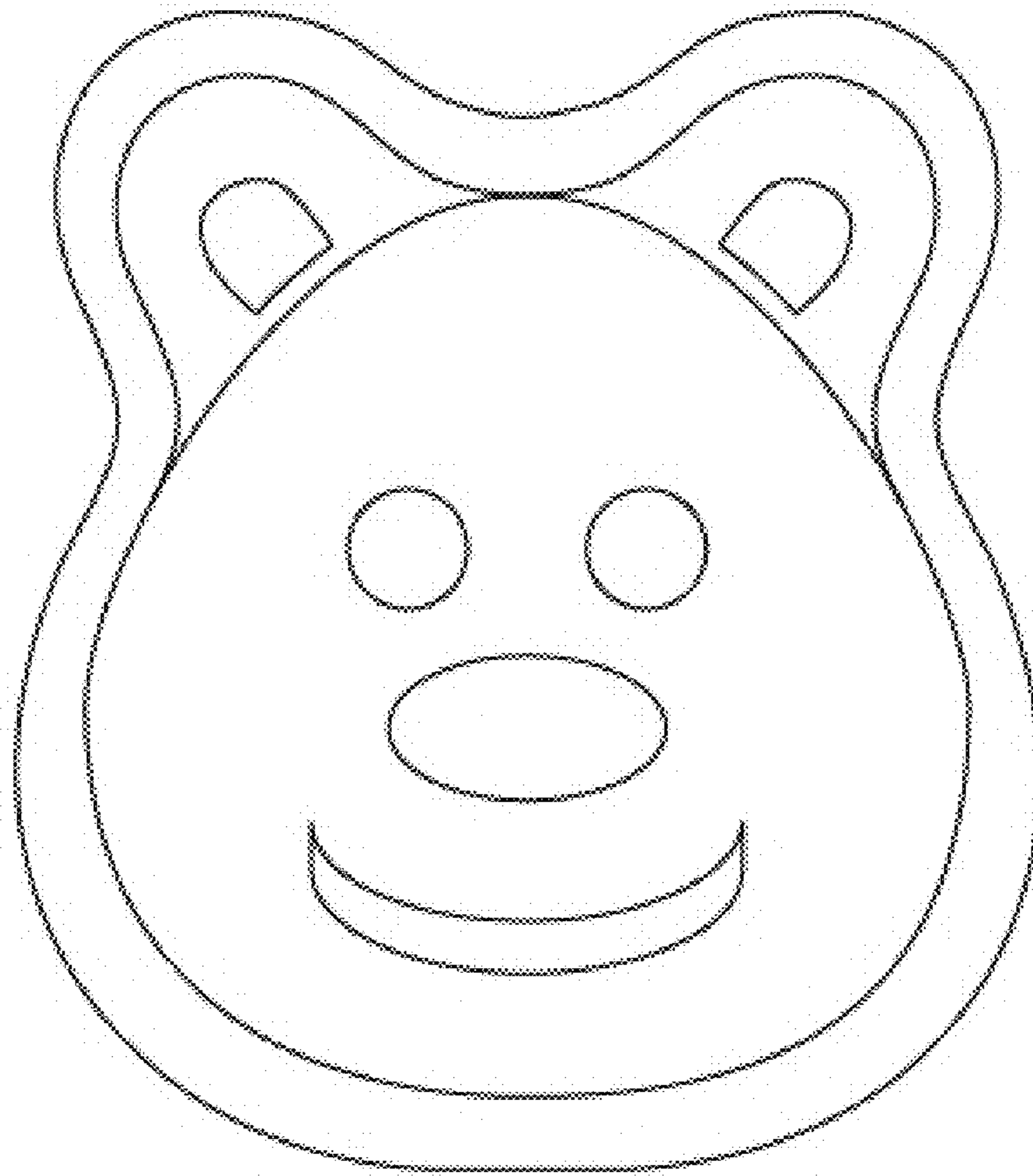
The design relates to a bear face made of fruit gums; fig. 1.1 shows an overall view from above; fig. 1.2 shows an overall view from the bottom; fig. 1.3 shows an overall view from the front; fig. 1.4 shows an overall view from the left side; fig. 1.5 shows an overall view from the right side; fig. 1.6 shows an overall view from the back; fig. 1.7 and 1.8 show overall perspective views.

See application file for complete search history.

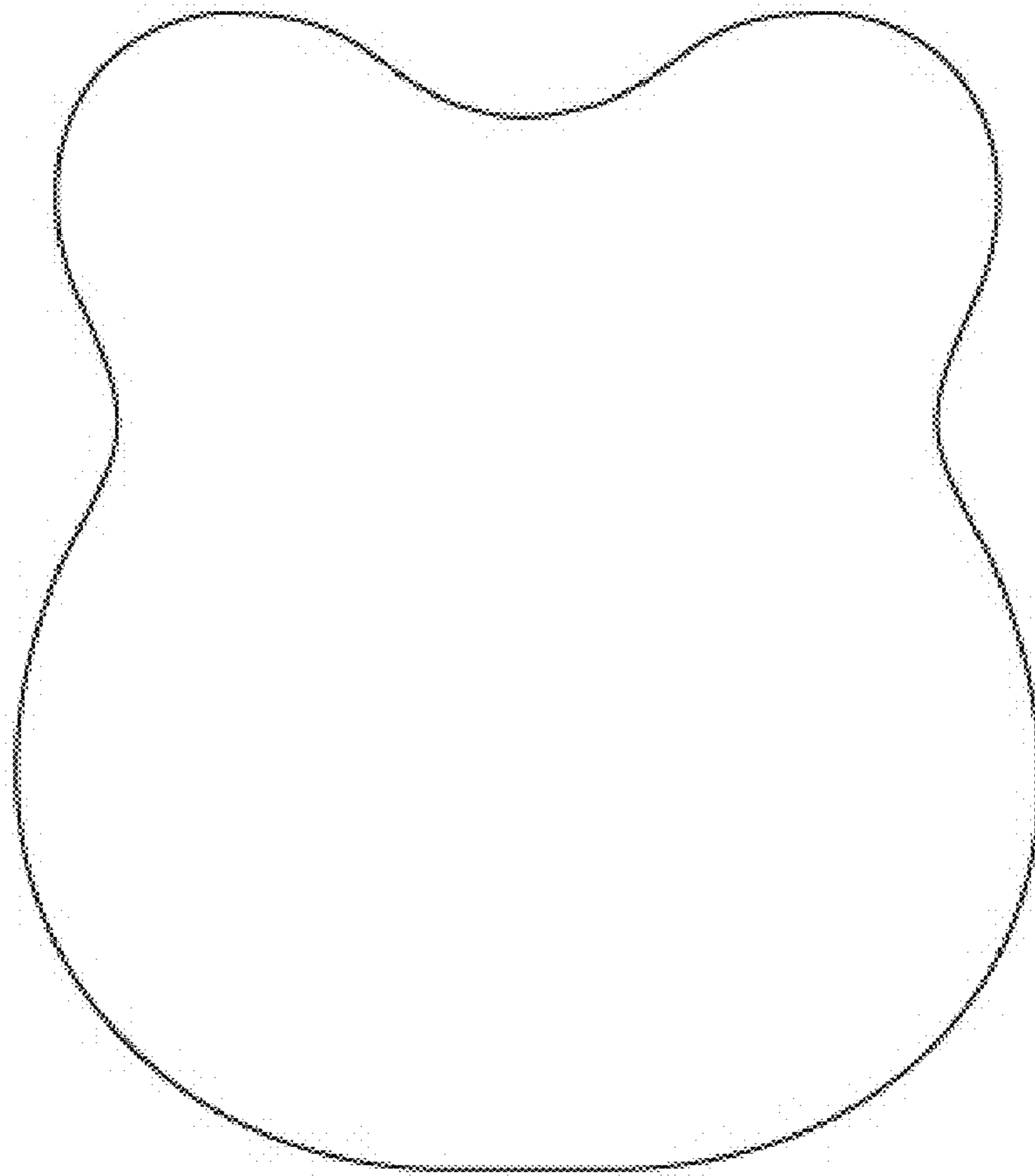
**1 Claim, 8 Drawing Sheets**



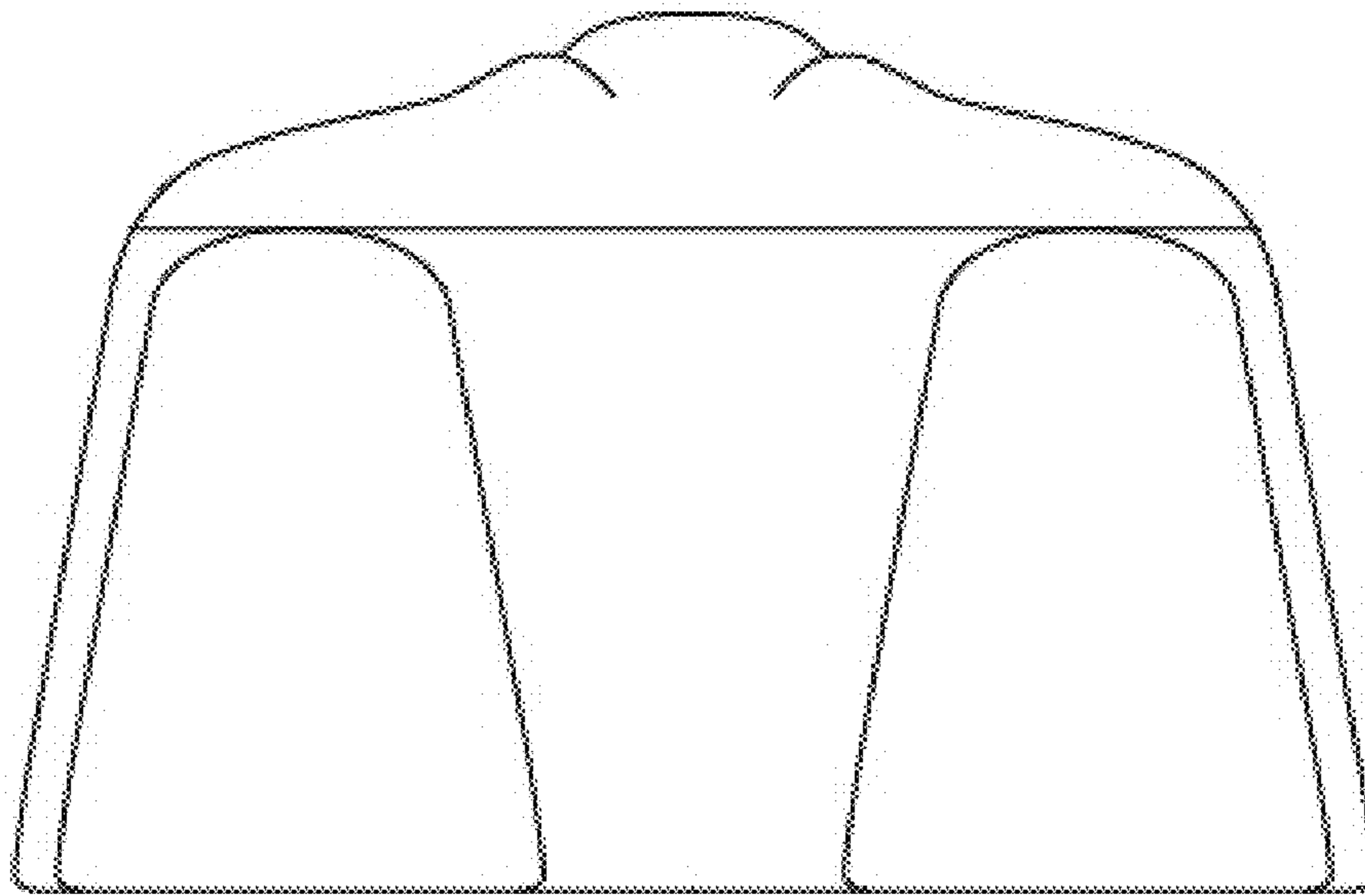
# 1.1



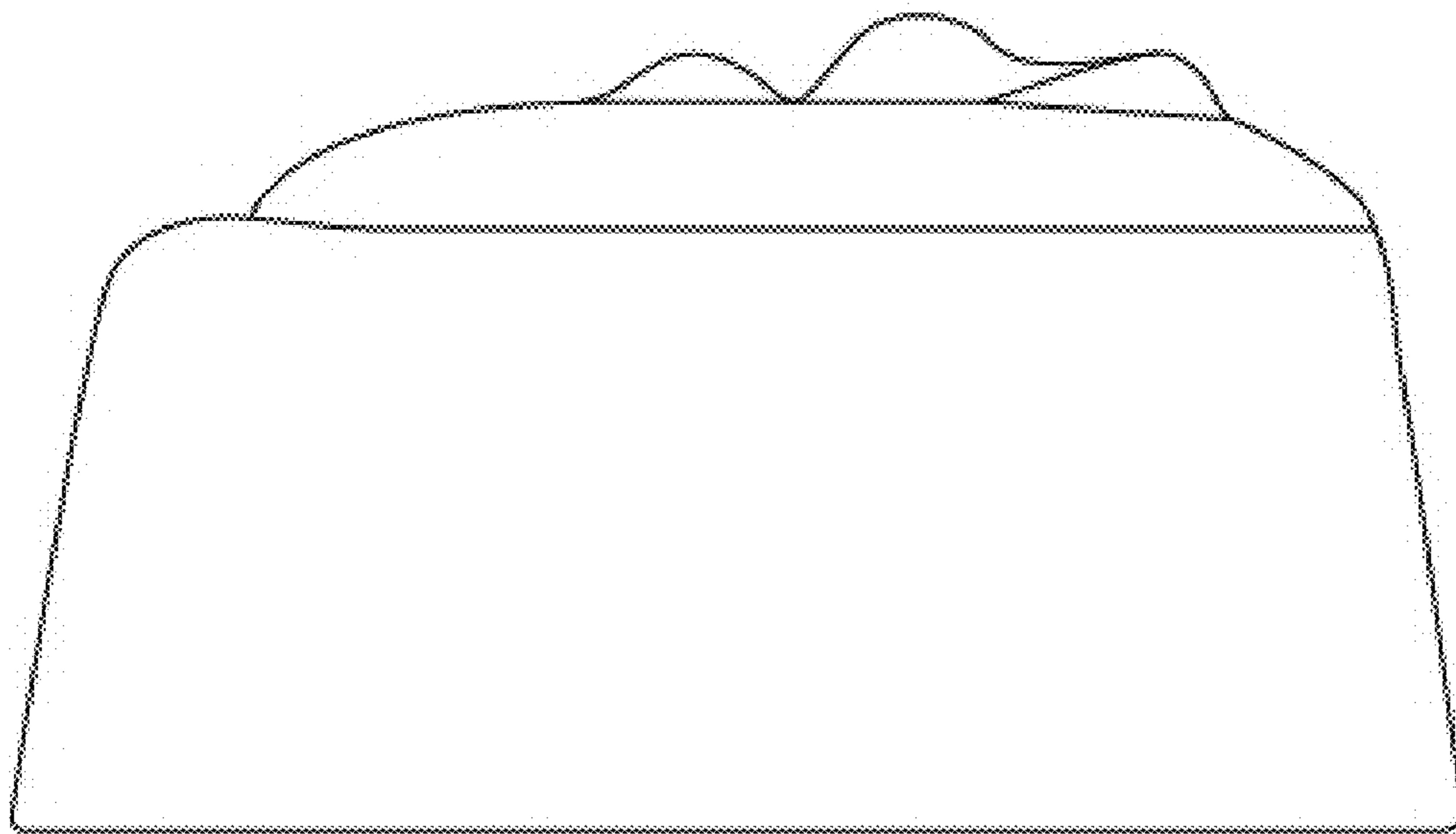
**1.2**



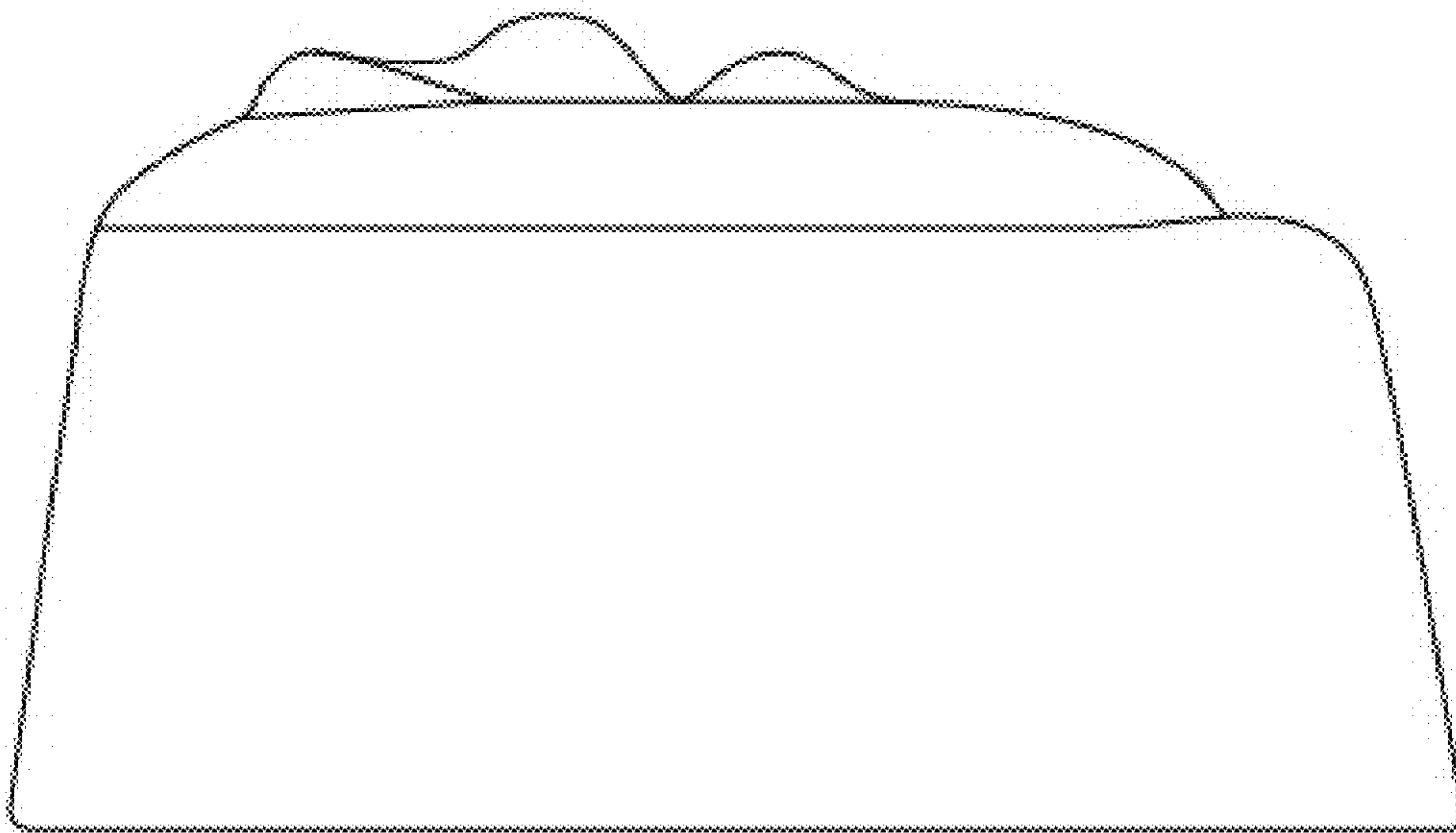
**1.3**



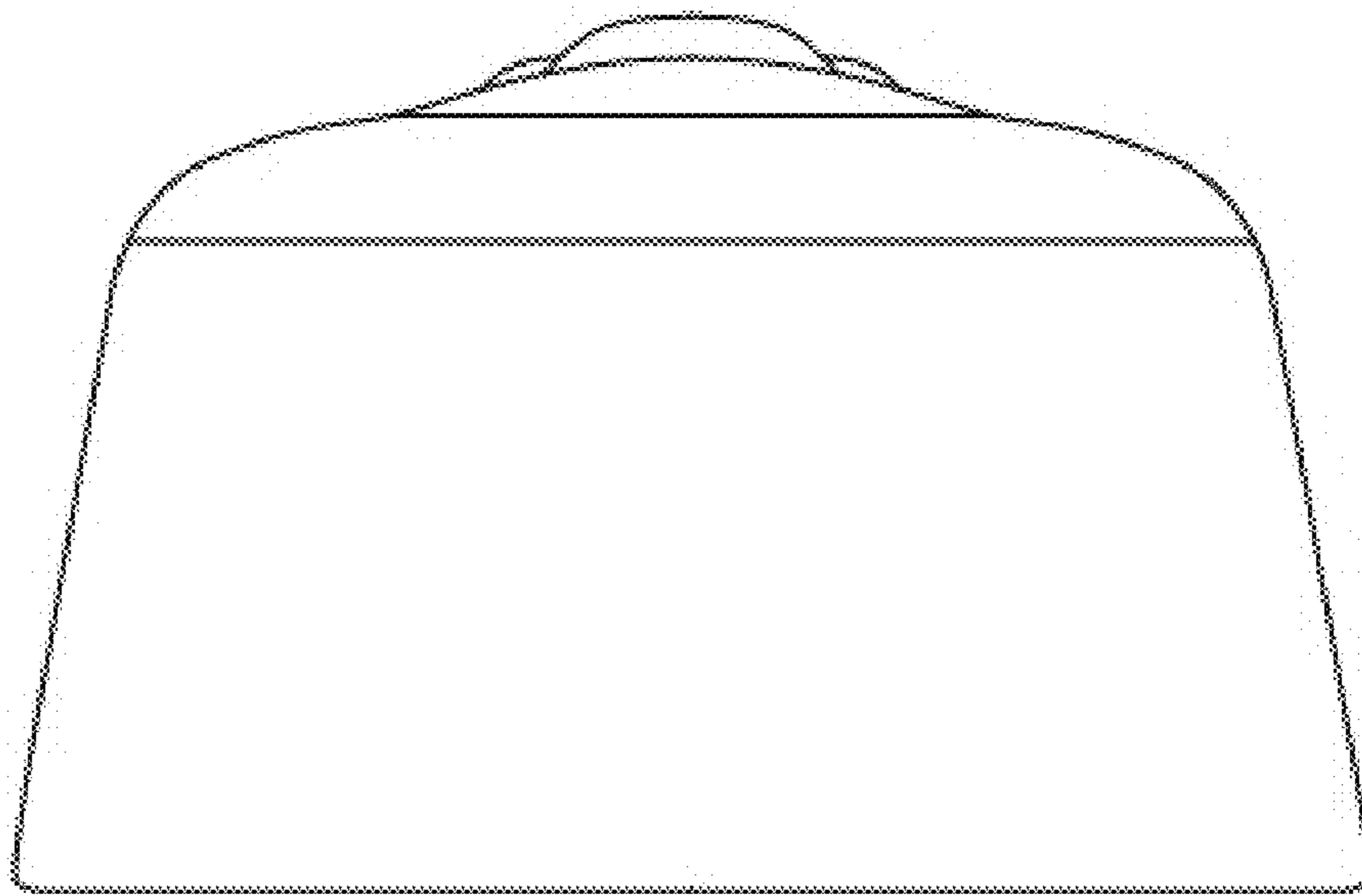
**1.4**



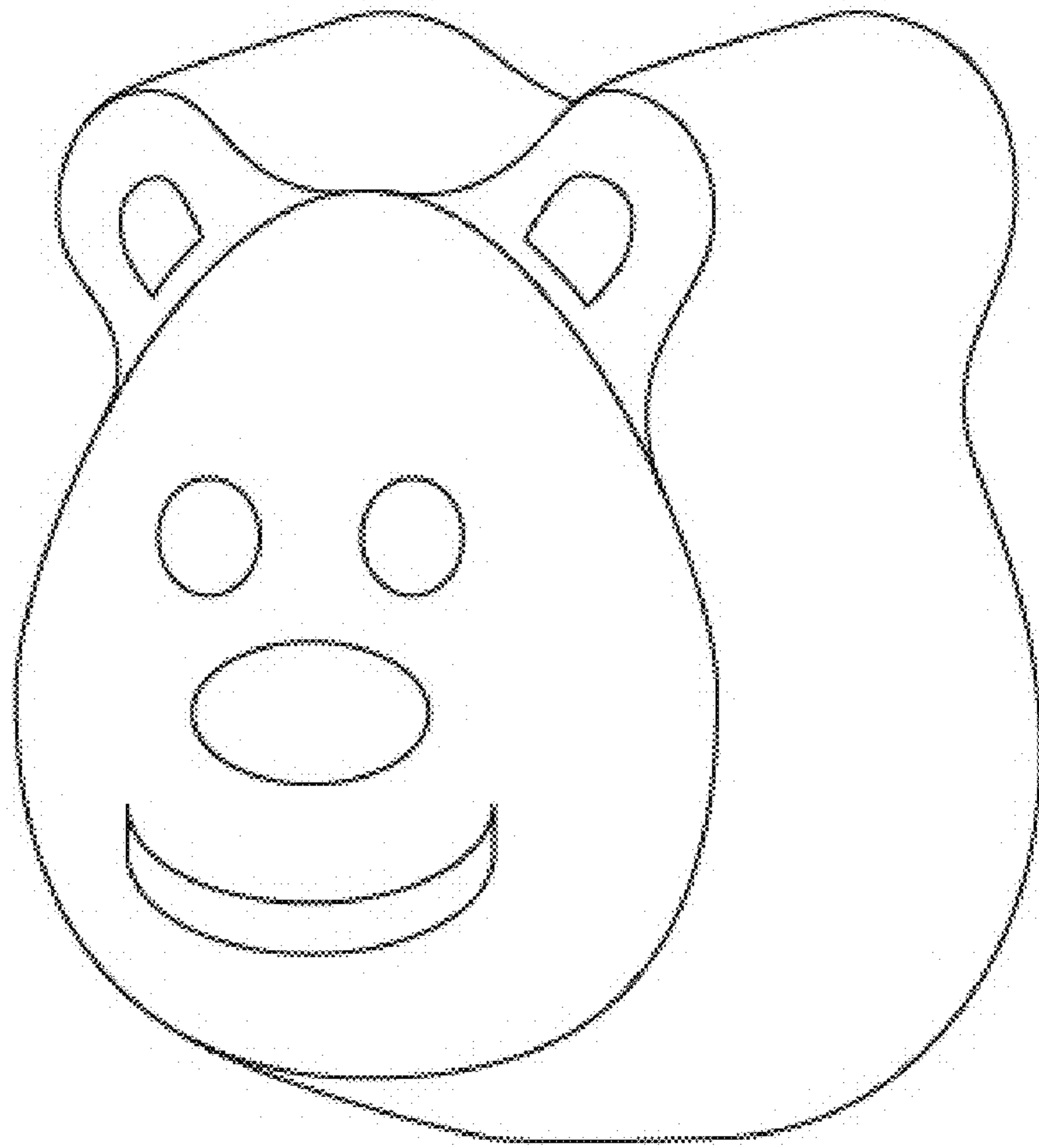
**1.5**



**1.6**

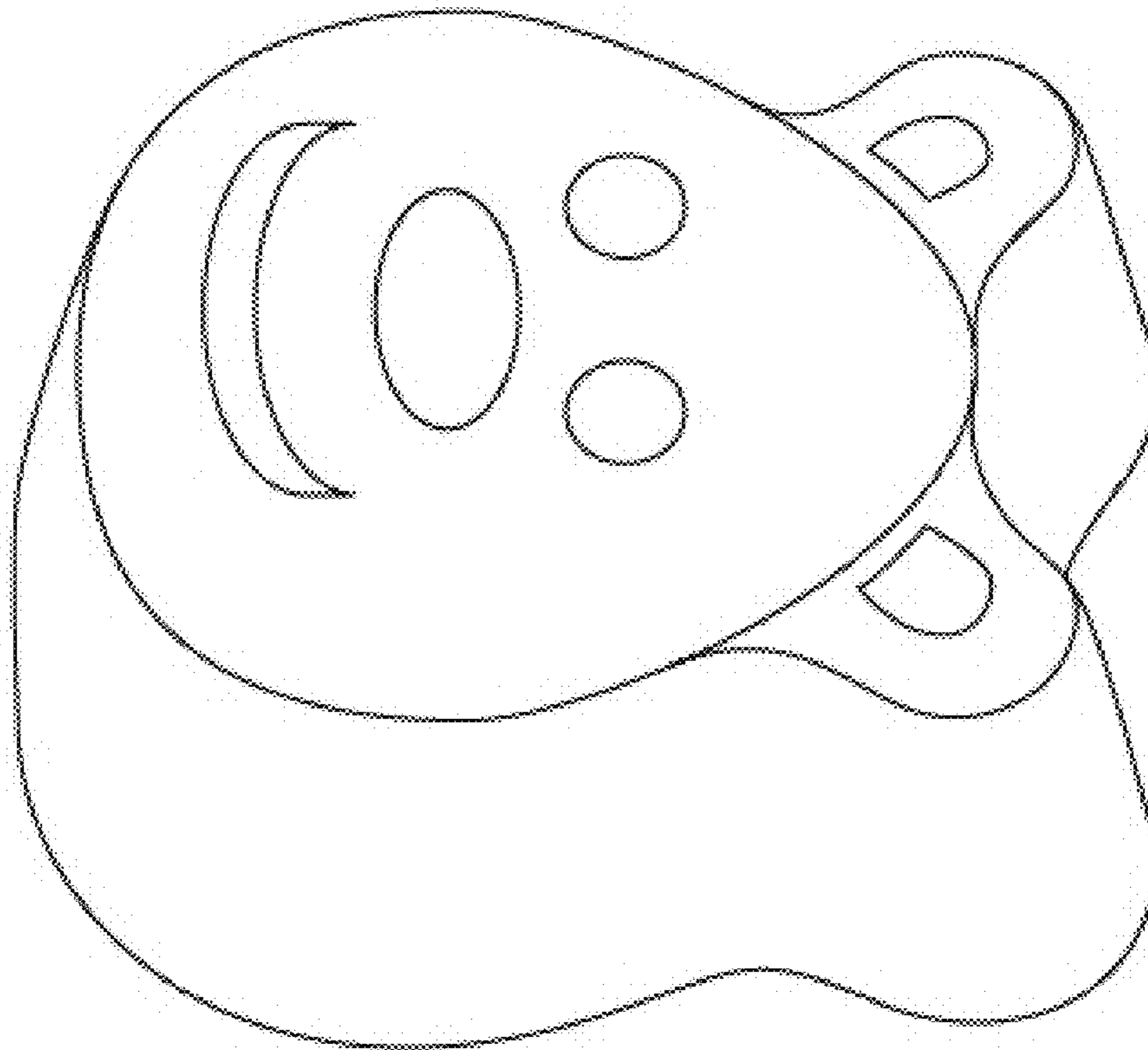


**1.7**





**1.8**



UNITED STATES PATENT AND TRADEMARK OFFICE  
**CERTIFICATE OF CORRECTION**

PATENT NO. : D973,998 S  
APPLICATION NO. : 35/512913  
DATED : January 3, 2023  
INVENTOR(S) : Samuel Güttinger

Page 1 of 1

It is certified that error appears in the above-identified patent and that said Letters Patent is hereby corrected as shown below:

On the Title Page

Please add the following foreign priority section:

Foreign Application Priority Data

June 24, 2021 (EP).....008589360

Signed and Sealed this  
Seventh Day of March, 2023



Katherine Kelly Vidal  
*Director of the United States Patent and Trademark Office*