



US00D973995S

(12) **United States Design Patent** (10) **Patent No.:** **US D973,995 S**
Dougherty (45) **Date of Patent:** **** Dec. 27, 2022**

- (54) **WHEELCHAIR SUPPORT PLATFORM**
- (71) Applicant: **Kimberly A. Dougherty**, Worth, IL (US)
- (72) Inventor: **Kimberly A. Dougherty**, Worth, IL (US)
- (**) Term: **15 Years**
- (21) Appl. No.: **29/773,851**
- (22) Filed: **Mar. 11, 2021**
- (51) **LOC (13) Cl.** **12-05**
- (52) **U.S. Cl.**
USPC **D34/32; D34/28**
- (58) **Field of Classification Search**
USPC D8/354; D12/52, 106, 131, 133;
D34/28, 31, 32
CPC B62B 2203/10; B62B 3/02; B66F 1/00;
B66F 3/00; B66F 5/00
See application file for complete search history.

(56) **References Cited**

U.S. PATENT DOCUMENTS

4,759,684	A *	7/1988	Lanzillotta	A61G 5/104 254/3 C
5,176,361	A *	1/1993	Ayala, III	B66F 7/243 254/88
5,542,811	A *	8/1996	Vartanian	A61G 3/062 414/921
6,009,587	A *	1/2000	Beeman	B65G 69/30 414/537
6,536,363	B1 *	3/2003	Carlberg	B63B 27/143 14/71.1
D494,336	S *	8/2004	Smith	D34/32
D494,726	S *	8/2004	Smith	D34/32
D596,368	S *	7/2009	Holicki	D34/32
D602,673	S *	10/2009	Allen	D34/32
D617,972	S *	6/2010	Lucht	D34/32
D634,503	S *	3/2011	Asfeld	D34/28
D644,402	S *	8/2011	Shoup	D34/32

8,382,126	B1 *	2/2013	Gantt	A61G 5/104 280/30
D783,923	S *	4/2017	Bernart	D34/32
D793,024	S *	7/2017	Bernart	D34/32
D797,396	S *	9/2017	Bettcher, III	D34/31
D829,402	S *	9/2018	Hendrickson	D34/32
D835,877	S *	12/2018	Hendrickson	D34/32
D861,279	S *	9/2019	Marmon	D34/32
D910,960	S *	2/2021	Marmon	D34/32
2002/0129452	A1 *	9/2002	Pelosi, Jr.	E04F 11/002 14/69.5

(Continued)

Primary Examiner — Keli L Hill
Assistant Examiner — Harold E Blackwell, II

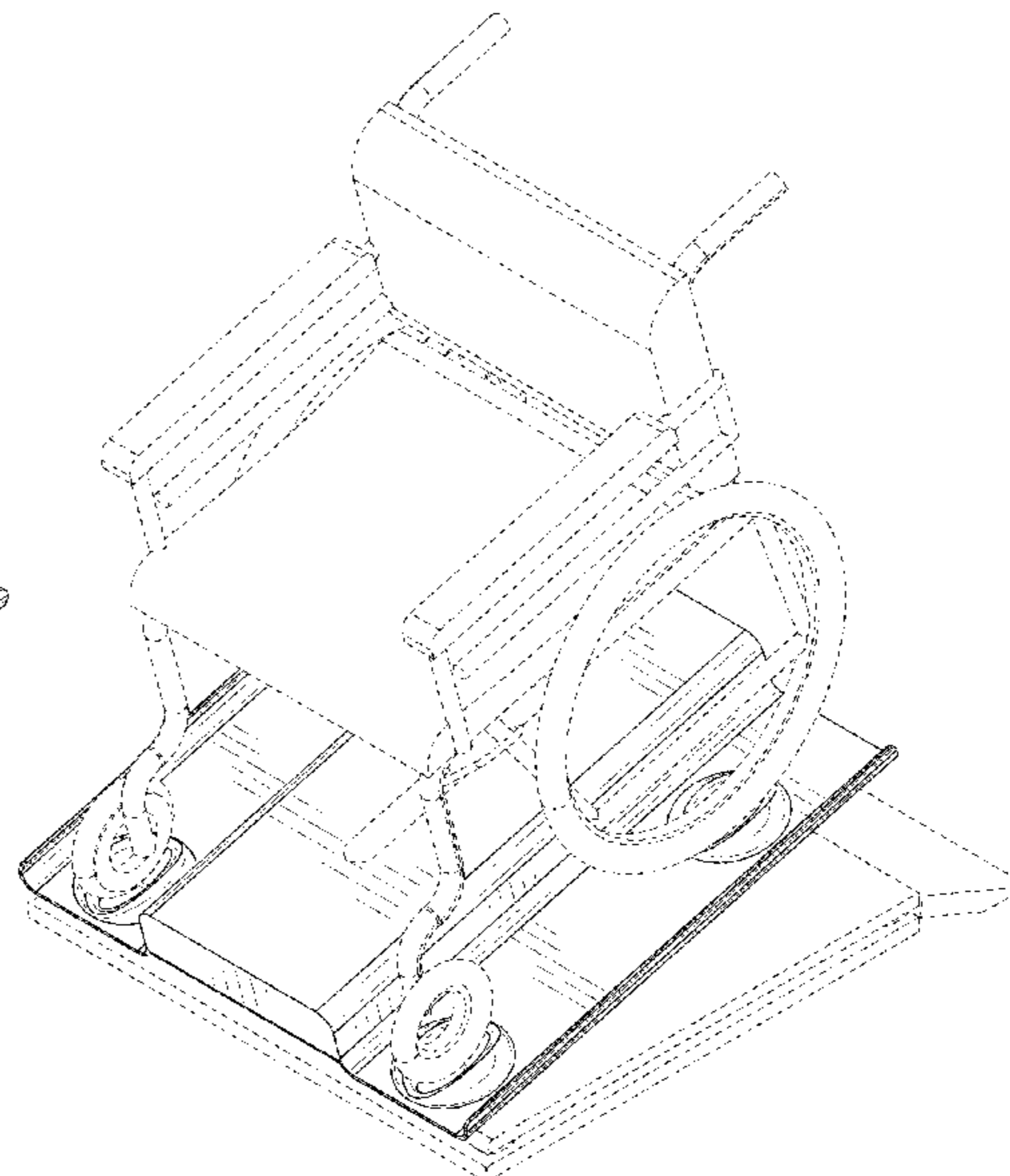
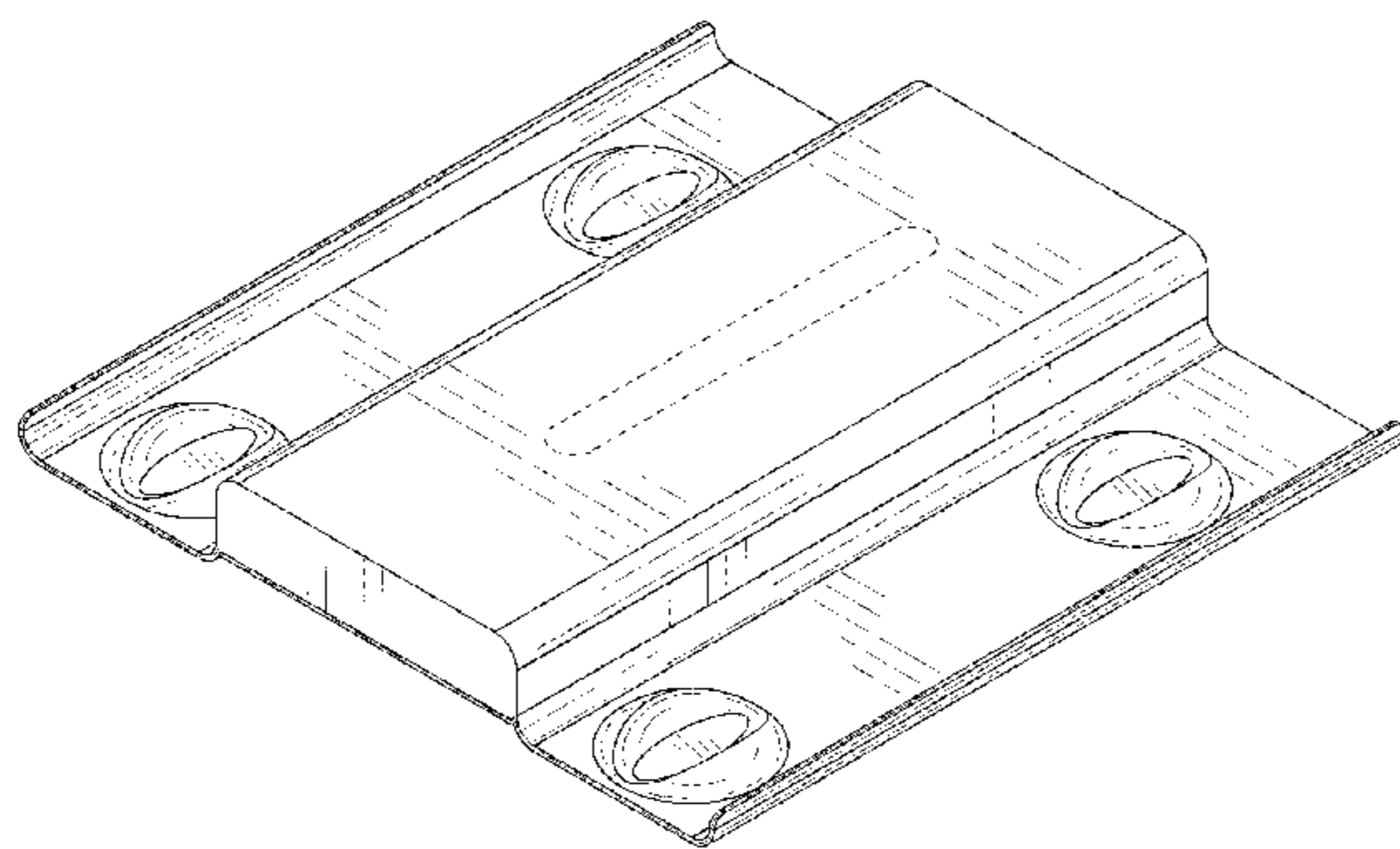
(57) **CLAIM**

The ornamental design for a wheelchair support platform, as shown and described.

DESCRIPTION

FIG. 1 is a top-front-left perspective view of a wheelchair support platform showing my new design; FIG. 2 is a bottom-rear-right perspective view thereof; FIG. 3 is a top plan view thereof; FIG. 4 is a bottom plan view thereof; FIG. 5 is a left-side elevational view thereof, the right-side elevational view being mirrored thereto; FIG. 6 is a front elevational view thereof, the rear elevational view being mirrored thereto; FIG. 7 is a top-front-left perspective view of the present invention, wherein the present invention is shown mounted to a tilt-actuator while retaining a wheelchair; and, FIG. 8 is top-front-left perspective view thereof, wherein the present invention is shown in a tilted configuration. The dashed line showing an exemplary retainer slot in FIGS. 1, 3, 7, and 8; and the exemplary tilt-actuator and wheelchair in FIGS. 7 and 8 is included for the purpose of illustrating environmental structure and forms no part of the claimed design.

1 Claim, 8 Drawing Sheets



(56)

References Cited

U.S. PATENT DOCUMENTS

2009/0158536 A1* 6/2009 Holicki A61G 5/104
14/69.5

* cited by examiner

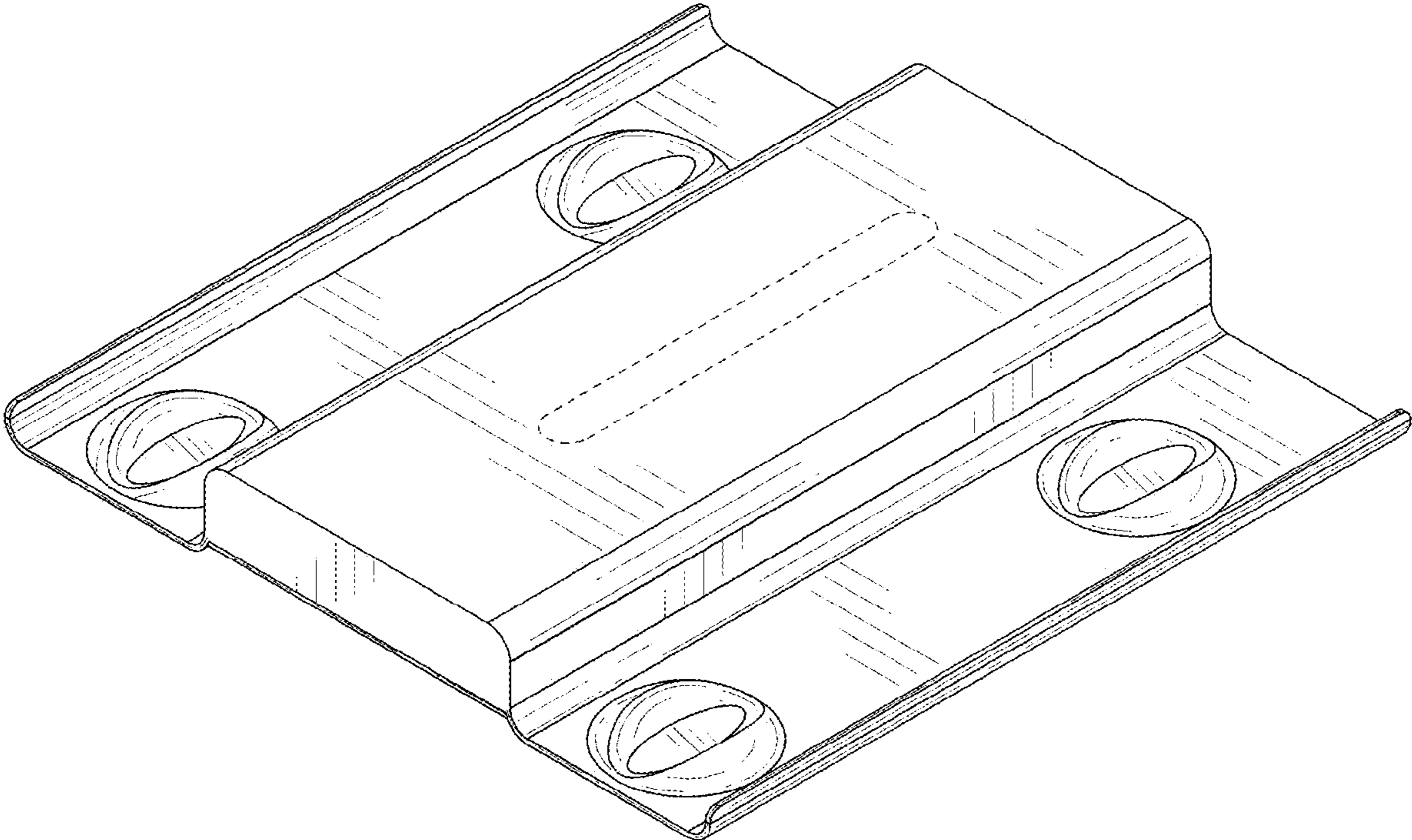


FIG. 1

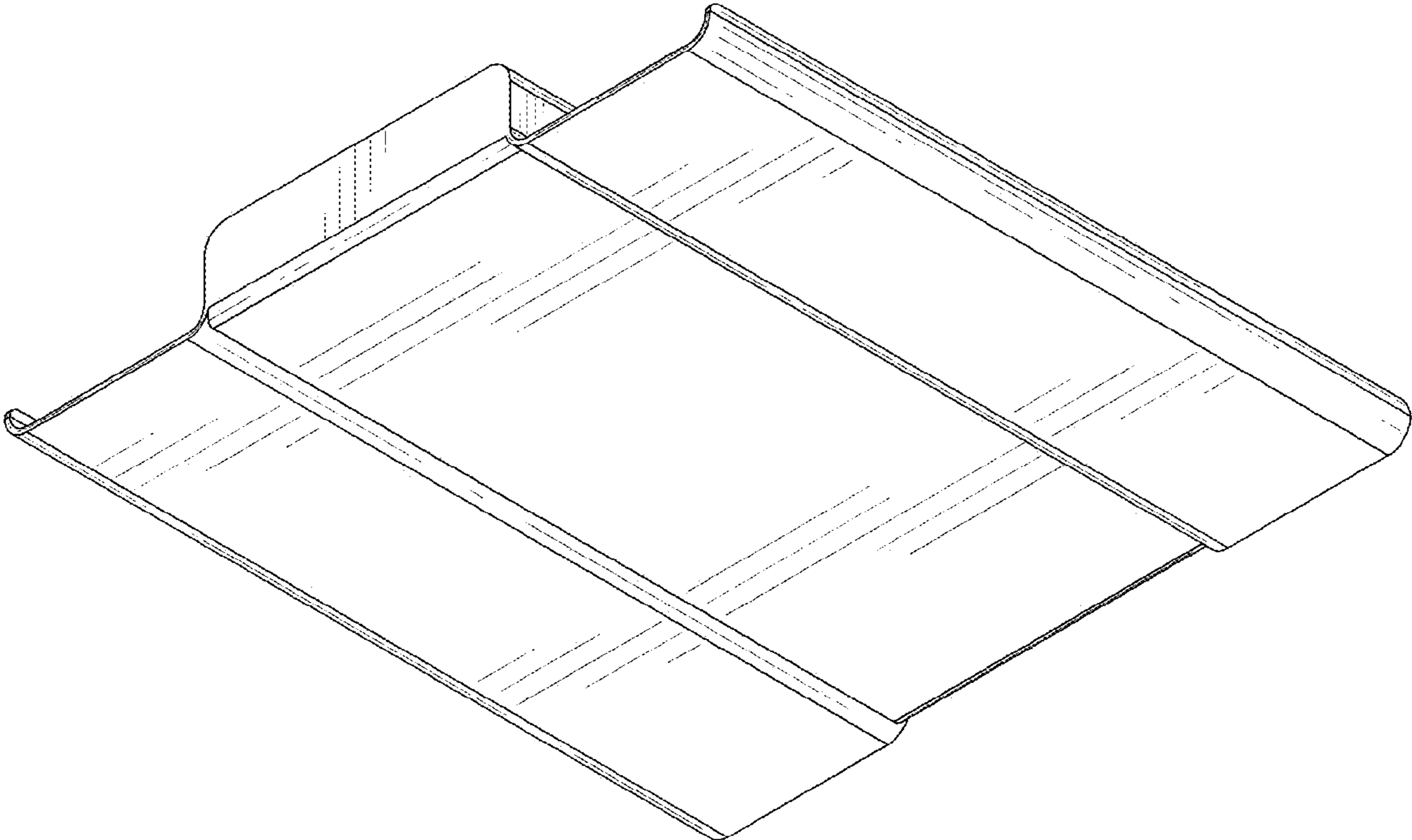


FIG. 2

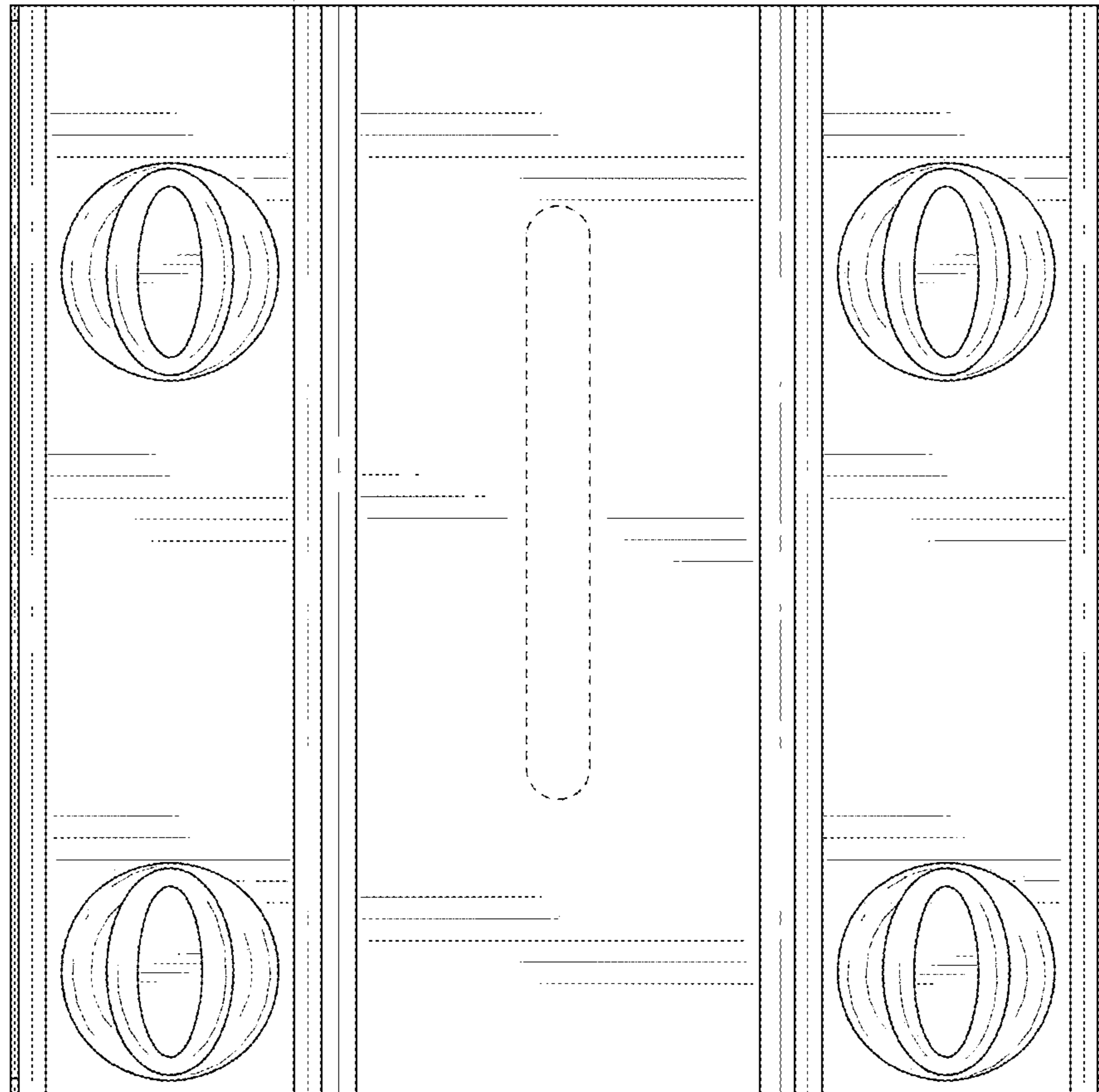


FIG. 3

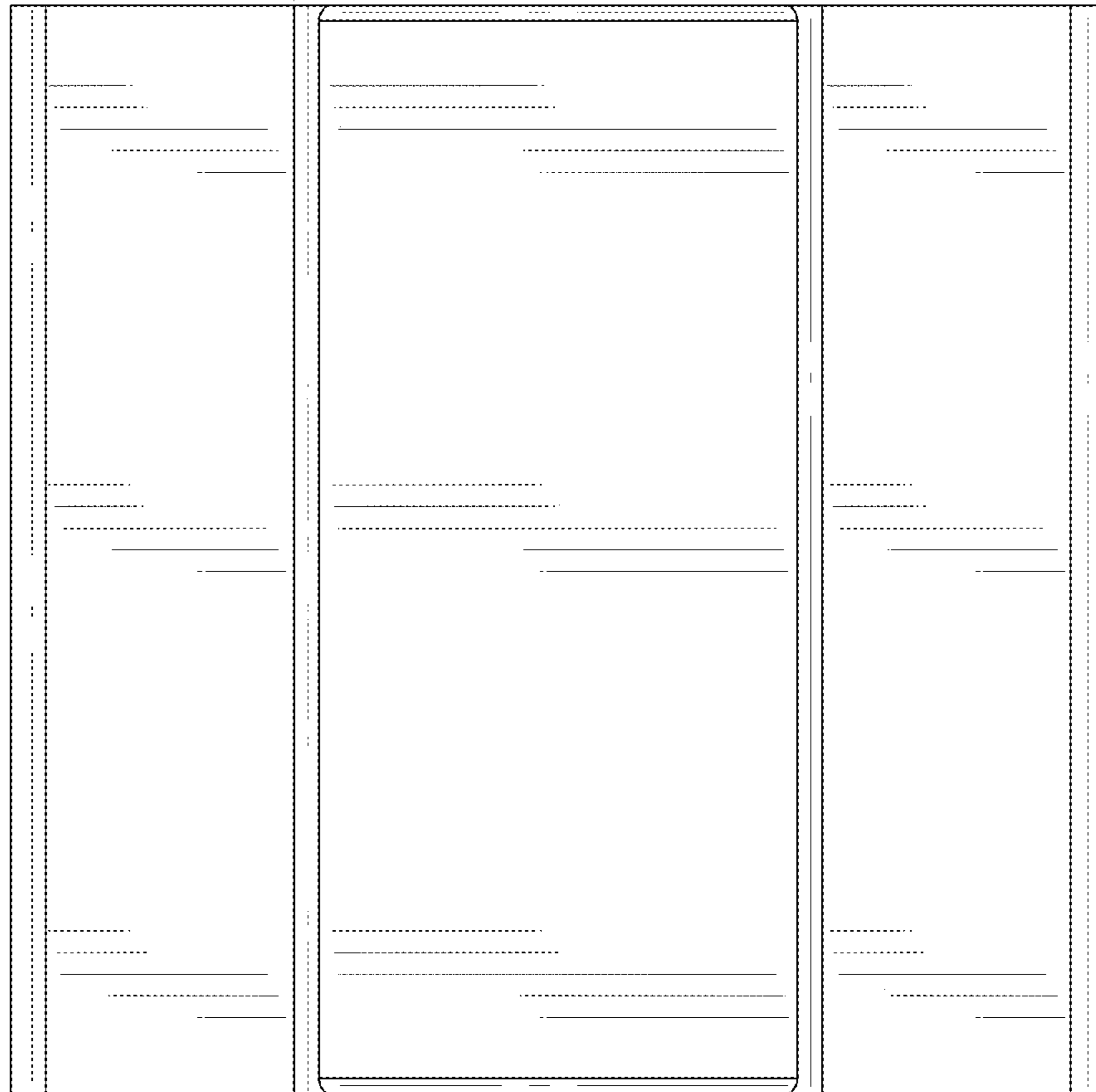


FIG. 4

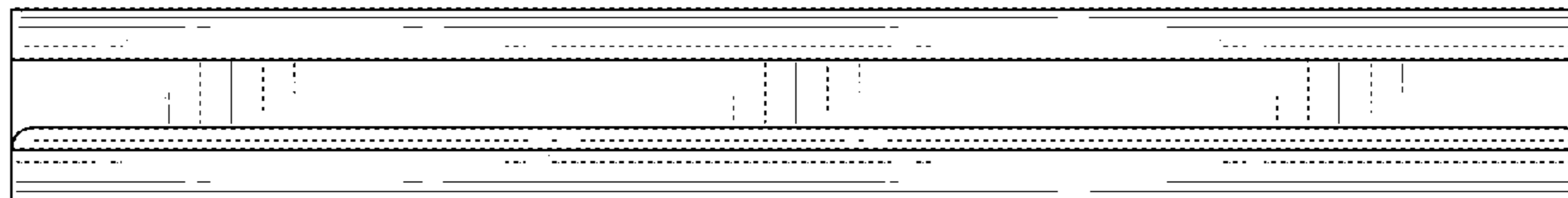


FIG. 5

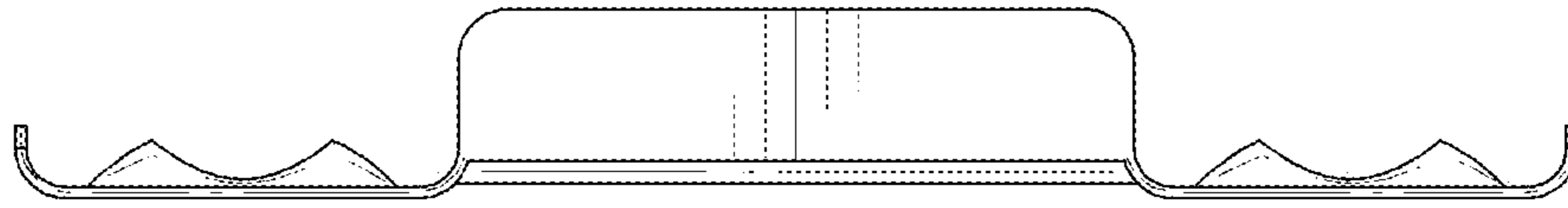


FIG. 6

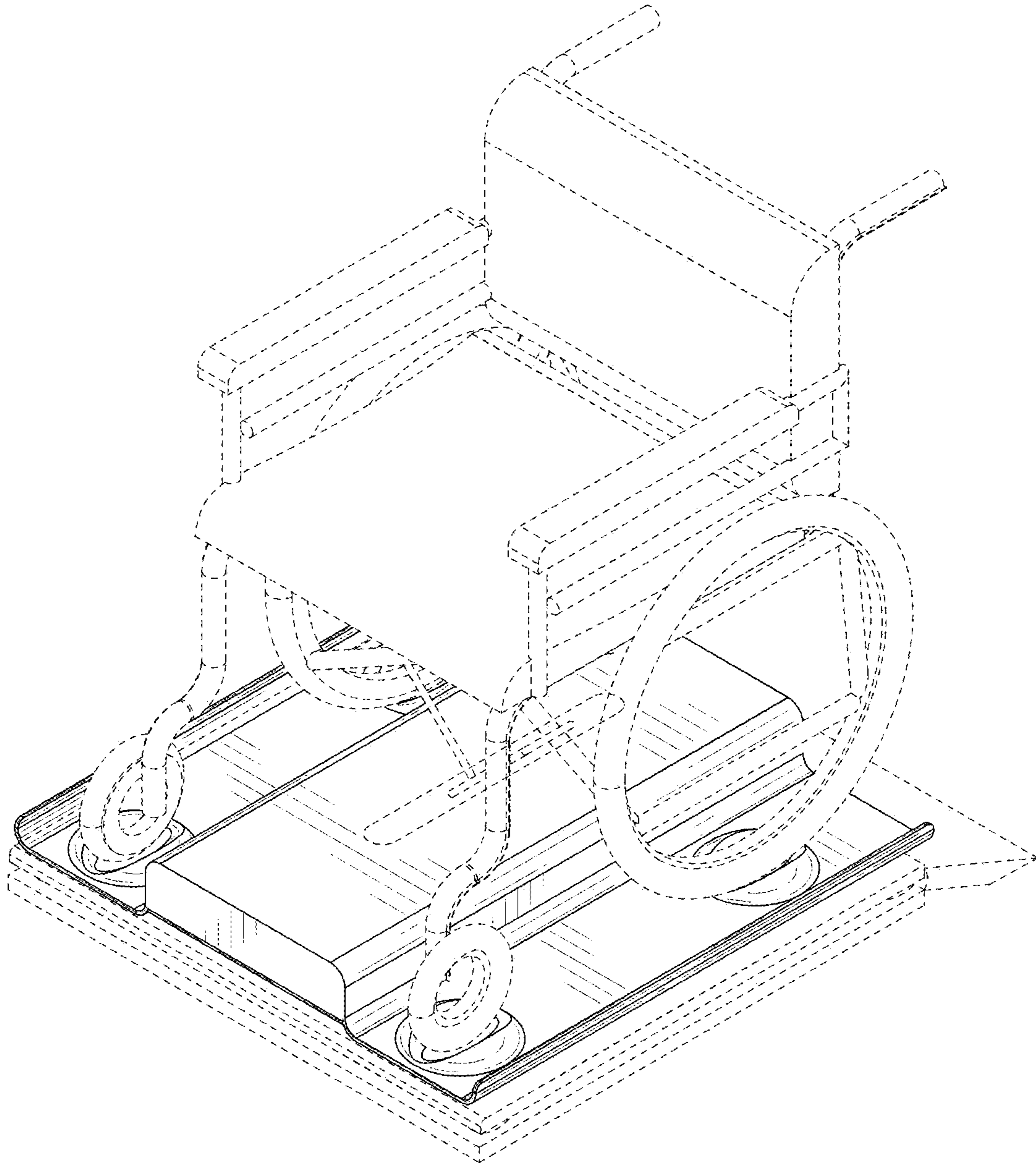


FIG. 7

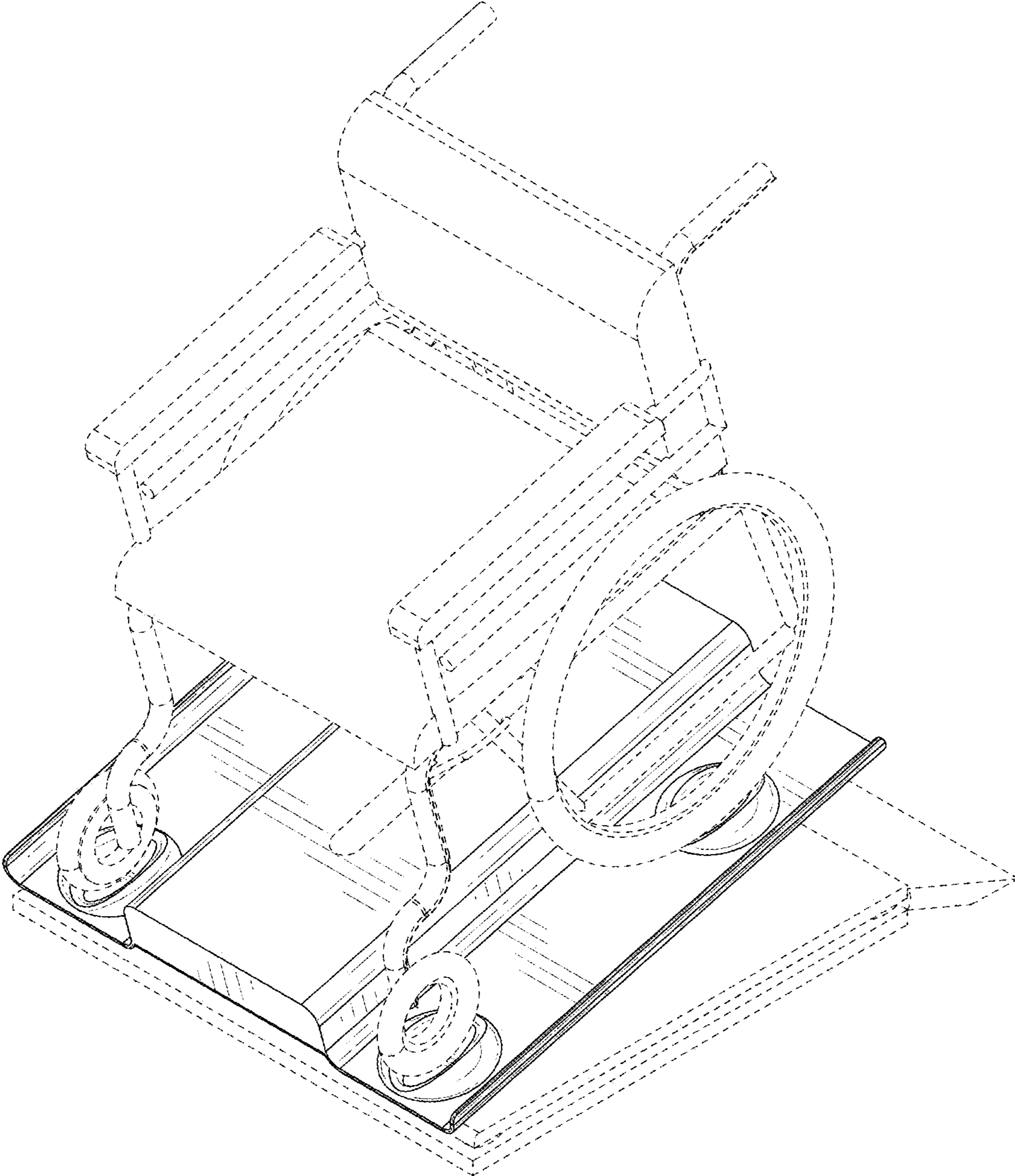


FIG. 8