



US00D973994S

(12) **United States Design Patent** (10) **Patent No.:** **US D973,994 S**
Andersen et al. (45) **Date of Patent:** **** Dec. 27, 2022**

(54) **JACK**

FOREIGN PATENT DOCUMENTS

(71) Applicant: **Snap-on Incorporated**, Kenosha, WI (US)

AU 201915329 11/2019
AU 201916427 12/2019

(Continued)

(72) Inventors: **Jonathan I. Andersen**, Mount Pleasant, WI (US); **James T. Rettler**, Kenosha, WI (US); **Benjamin T. Schulz**, Racine, WI (US)

OTHER PUBLICATIONS

2 Ton Low Profile Jack W1642 Owner's Manual, 2009, 5 pages.
(Continued)

(73) Assignee: **Snap-on Incorporated**, Kenosha, WI (US)

Primary Examiner — Cynthia Ramirez

Assistant Examiner — Tamara L Hahn

(**) Term: **15 Years**

(74) *Attorney, Agent, or Firm* — Seyfarth Shaw LLP

(21) Appl. No.: **29/833,224**

(22) Filed: **Apr. 1, 2022**

(57) **CLAIM**

The ornamental design for a jack, as shown and described.

Related U.S. Application Data

(62) Division of application No. 29/775,850, filed on Mar. 25, 2021, now Pat. No. Des. 952,284, which is a division of application No. 29/702,697, filed on Aug. 21, 2019, now Pat. No. Des. 933,928.

DESCRIPTION

(51) **LOC (13) Cl.** **12-05**

(52) **U.S. Cl.**
USPC **D34/31**

(58) **Field of Classification Search**
USPC D34/28, 29, 30, 31, 33, 34, 35
CPC B66F 5/04; B66F 5/00; B66F 5/02; B66F 3/42; B66F 3/44; B66F 1/06; B66F 19/00; B66F 2700/05
See application file for complete search history.

FIG. 1 is a perspective view of a jack in a lowered position, according to the present invention;
FIG. 2 is a first end view of the jack of FIG. 1;
FIG. 3 is a second end view of the jack of FIG. 1;
FIG. 4 is a first side view of the jack of FIG. 1;
FIG. 5 is a second side view of the jack of FIG. 1;
FIG. 6 is a top view of the jack of FIG. 1;
FIG. 7 is a bottom view of the jack of FIG. 1;
FIG. 8 is a perspective view of the jack of FIG. 1 in a raised position;
FIG. 9 is a first end view of the jack of FIG. 8;
FIG. 10 is a second end view of the jack of FIG. 8;
FIG. 11 is a first side view of the jack of FIG. 8;
FIG. 12 is a second side view of the jack of FIG. 8;
FIG. 13 is a top view of the jack of FIG. 8; and,
FIG. 14 is a bottom view of the jack of FIG. 8.
The broken lines in the drawings depict portions of the jack that form no part of the claimed design.

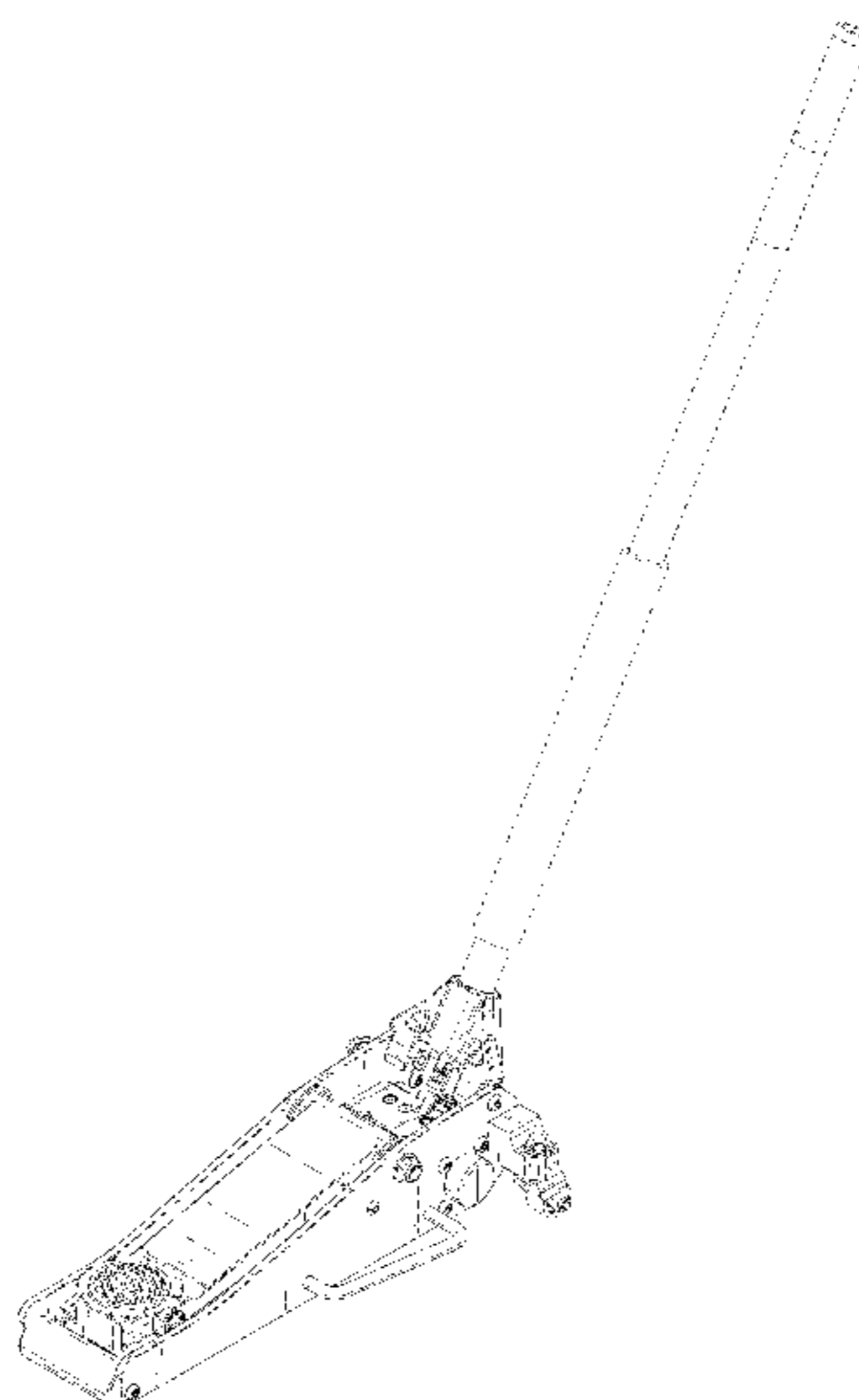
(56) **References Cited**

U.S. PATENT DOCUMENTS

2,231,047 A 2/1941 Ziska
D139,341 S 11/1944 Page
2,610,025 A 9/1952 Mueller
D216,034 S 11/1969 Gaarder et al.
D221,974 S 9/1971 Kincaid

(Continued)

1 Claim, 14 Drawing Sheets



(56)

References Cited

U.S. PATENT DOCUMENTS

4,018,421	A	4/1977	Tallman	
4,241,900	A	12/1980	Okuda	
D263,128	S	2/1982	Glover, Jr. et al.	
D272,670	S	2/1984	Tsujimura	
D284,417	S	6/1986	Yamagishi	
D285,855	S	* 9/1986	Persson	D34/31
D286,934	S	11/1986	Hung	
D296,598	S	7/1988	Hung	
D332,337	S	1/1993	Wang	
D358,923	S	5/1995	Hawkins	
D388,926	S	1/1998	Sorensen	
D416,370	S	* 11/1999	Hung	D34/31
D421,516	S	3/2000	Hung	
D423,750	S	4/2000	Hung	
D442,345	S	* 5/2001	Lee	D34/31
D444,606	S	7/2001	Hsu	
D452,597	S	12/2001	Hung	
6,435,477	B2	8/2002	Brunnhoezl	
6,505,816	B1	1/2003	Hung	
D480,196	S	9/2003	Hsu	
D482,838	S	11/2003	Tsai	
D485,412	S	1/2004	Hung	
6,722,634	B1	4/2004	Hsu	
6,848,673	B1	2/2005	McLaughlin, Sr.	
D514,768	S	2/2006	Ji	
7,036,796	B2	5/2006	Hsu	
7,036,797	B2	5/2006	Liu	
7,108,245	B2	9/2006	Lin	
D531,377	S	10/2006	Liu	
D538,502	S	3/2007	Hernandez	
D561,422	S	2/2008	Kuen	
7,334,774	B1	2/2008	Lin	
D564,725	S	3/2008	Caswell	
D582,623	S	12/2008	Qian et al.	
D590,121	S	4/2009	Shen	
7,588,341	B2	9/2009	Lin	
D604,025	S	11/2009	Lin	
7,637,479	B2	12/2009	Lautzenhiser	
7,845,614	B2	12/2010	Liu	
D646,453	S	10/2011	Zhou	
8,118,279	B2	2/2012	Lin	
8,366,074	B2	2/2013	Lin	
8,376,319	B2	2/2013	Chen et al.	
D682,501	S	5/2013	Shen et al.	
D688,845	S	8/2013	Hernandez et al.	
8,500,095	B1	8/2013	Salcedo	
8,608,131	B2	12/2013	Kania	
8,622,369	B2	1/2014	Kania	
8,845,263	B2	9/2014	Walsh	
D720,514	S	12/2014	Fox et al.	
D720,914	S	1/2015	Fox	
D720,915	S	1/2015	Fox	
D730,612	S	5/2015	James et al.	
9,701,524	B2	7/2017	Walsh	
D828,972	S	9/2018	Wu	
D940,988	S	1/2022	Andersen	
D952,284	S	* 5/2022	Andersen	D34/31
2004/0065871	A1	4/2004	Hsu	
2006/0278857	A1	12/2006	Brocchini	
2006/0278858	A1	12/2006	Brocchini, Jr.	
2008/0111117	A1	5/2008	Wu	

FOREIGN PATENT DOCUMENTS

CA	ID30962	11/1968
CA	ID101063	5/2003
CA	ID150583	1/2014
CN	03271938	1/2003
CN	300893545	3/2009

CN	301294388	7/2010
CN	202245915	5/2012
CN	102765675	11/2012
CN	304103126	4/2017
GB	606294	8/1948

OTHER PUBLICATIONS

3½-Ton Extra-Low Service Jack; <https://www.mactools.com/en-us/Shop-Equipment/Jacks/JSA350LR/3-1-2-Ton-Extra-Low-Service-Jack>, downloaded Feb. 9, 2021, 3 pages.

Jackco 3 Ton Low Profile Floor Jack (66300B); <https://tiresupplynetwork.com/products/jackco-66300b-3-ton-low-profile-floor-jack>; downloaded Feb. 11, 2021, 4 pages.

HeinWarner 2-Ton; <http://heinwerner-automotive.com/ProductDetails/Hein-WernerAutomotive/2TonServiceJack/HW93642/522>; downloaded Feb. 11, 2021; 1 page.

Pittsburgh Automotive 3 Ton Heavy Duty Ultra Low Profile Steel Floor Jack with Rapid Pump Quick Lift; https://www.google.com/shopping/product/2157288730203149697?q=Pittsburgh+Automotive+3+Ton+Heavy+Duty+Ultra+Low+Profile+Steel+Floor+Jack+with+R&prds=eto:18057317871259624158_0;10168886424154519413_0&sa=X&ved=0ahUKEwird6G7d_uAhWEG80KHacUBVcQ9pwGCA4; downloaded Feb. 11, 2021; 3 pages.

Arcan Ultra Low Lift Point Service Jack Model LL-35; Dec. 4, 2002, 7 pages.

CSESJS50A-3½ Ton “Big Blue Monster” Service Jack; <http://corporate.cornwelltools.com/webcat/products/CSESJ350A-%252d-3%252d1%7B47%7D2-Ton-%E2%80%9DBig-Blue-Monster%E2%80%9D-Service-Jack.html>, downloaded Feb. 9, 2021, 1 page.

Performance Tool W1627 3.5 Ton Capacity Low Profile Service Jack; <https://www.amazon.com/Performance-Tool-W1627-Capacity-Profile/dp/B008PAZ7VY>, downloaded Feb. 9, 2021, 11 pages.

Daytona 3 Ton Super Duty Floor Jack DJ3000 Owner’s Manual, 12 pages.

Australian Examination Report for Application No. 201916889 dated Nov. 2, 2020, 5 pages.

Australian Examination Report for Application No. 201916889 dated Dec. 10, 2020, 5 pages.

Australian Examination Report No. 1 for Application No. 201916889 dated Jul. 6, 2020, 4 pages.

Taiwan Office Action for Application No. 109300731 dated Jul. 20, 2020, 3 pages.

Taiwan Office Action for Application No. 109300732 dated Jul. 20, 2020, 3 pages.

Taiwan Office Action for Application No. 109300729 dated Jul. 20, 2020, 3 pages.

Taiwan Office Action for Application No. 109300730 dated Jul. 20, 2020, 3 pages.

Chinese Office Action for Application No. 202030024577.2 dated May 9, 2020, 1 page.

Canadian Office Action for corresponding Canadian Application No. 191590 dated May 14, 2021, 3 pages.

Snap On, announced 2021 [online], [site visited Dec. 10, 2021]. Available from internet, URL: <https://shop.snapon.com/product/Lightweight-Aluminum-Service-Jacks/1.75-Ton-Aluminum-High-Performance-Floor-Jack/FJ175> (Year: 2021).

Redline, announced 2021 [online], [site visited Dec. 10, 2021]. Available from internet, URL: https://www.redlinestands.com/catalog/shop-equipment-c-327/automotive-c-327_328/racing-floor-jacks-c-327_328_353/redline-15-ton-double-piston-racing-aluminum-floor-jack-p-2944 (Year: 2021).

Global Industries, announced 2021 [online], [site visited Dec. 10, 2021]. Available from internet, URL: <https://www.globalindustrial.com/p/vehicle-fleet-maintenance/automotive-service-jacks-lift/vehicle-hydraulic-jacks/3-ton-aluminum-service-jack-xd-kti63099> (Year: 2021).

* cited by examiner

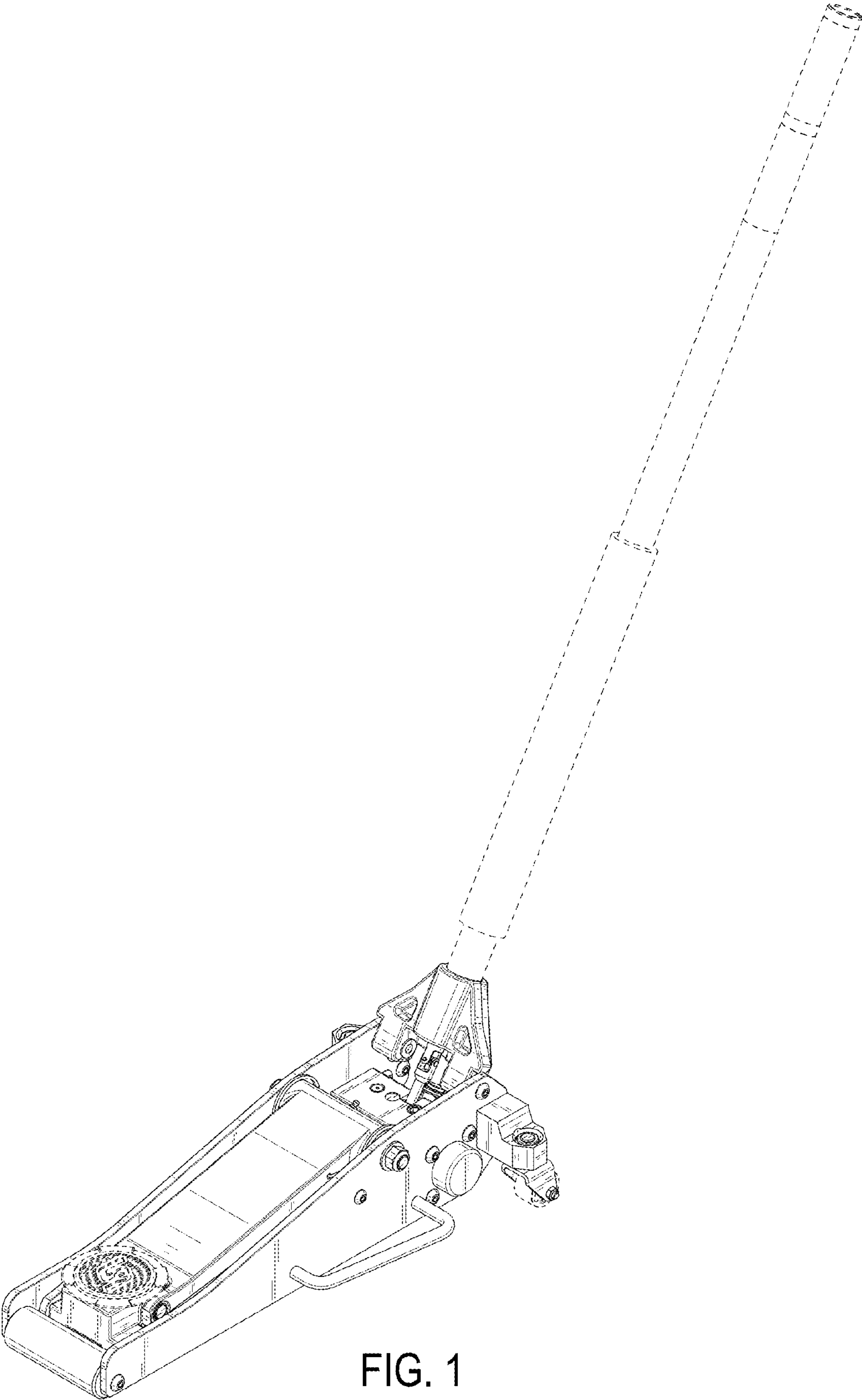


FIG. 1

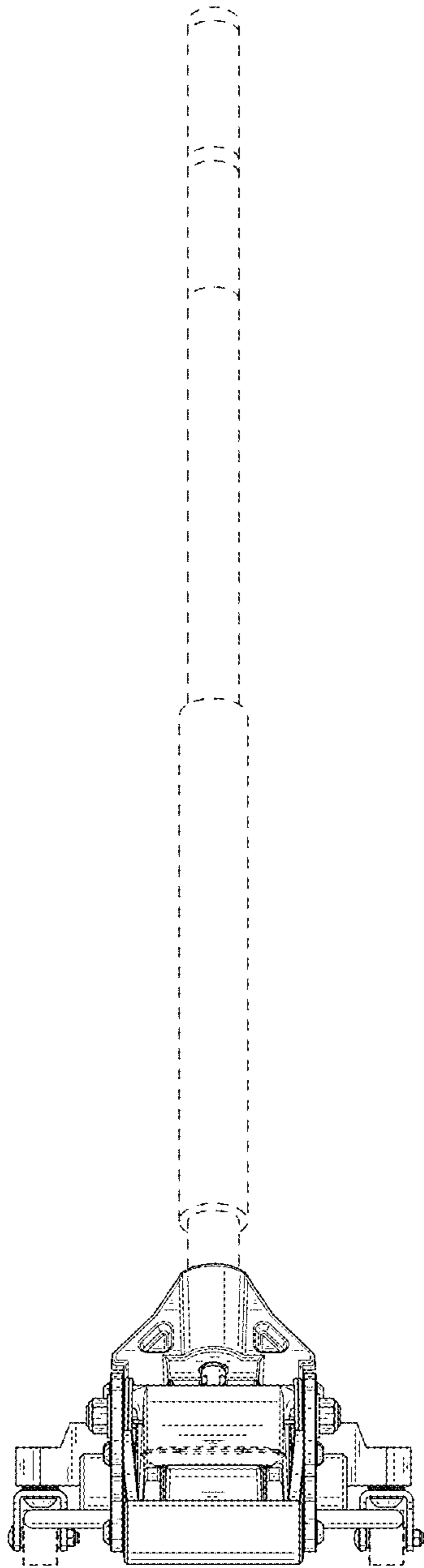


FIG. 2

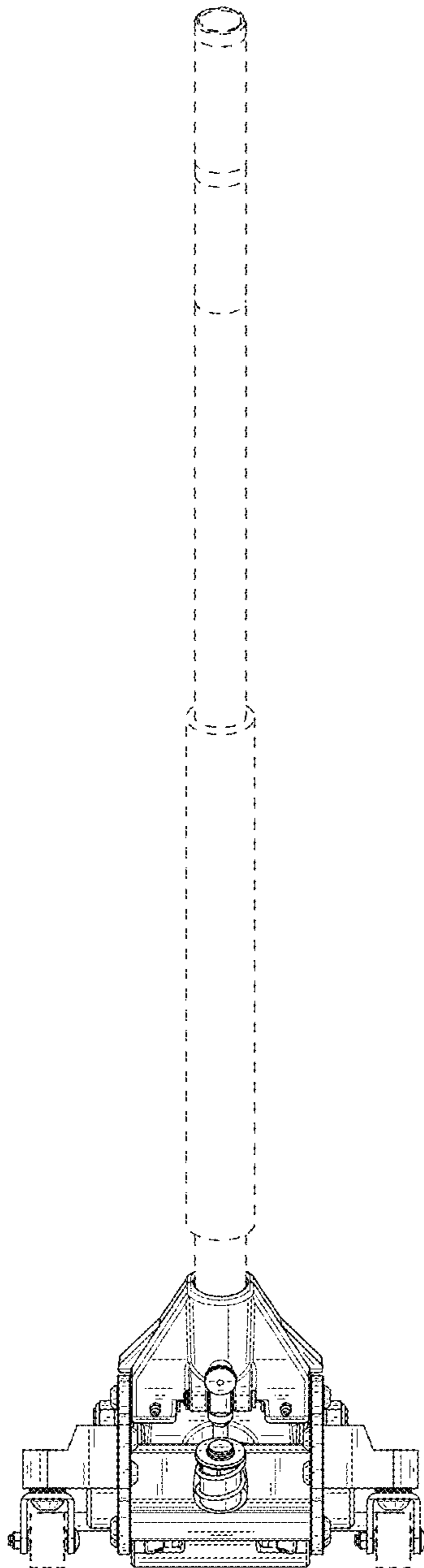


FIG. 3

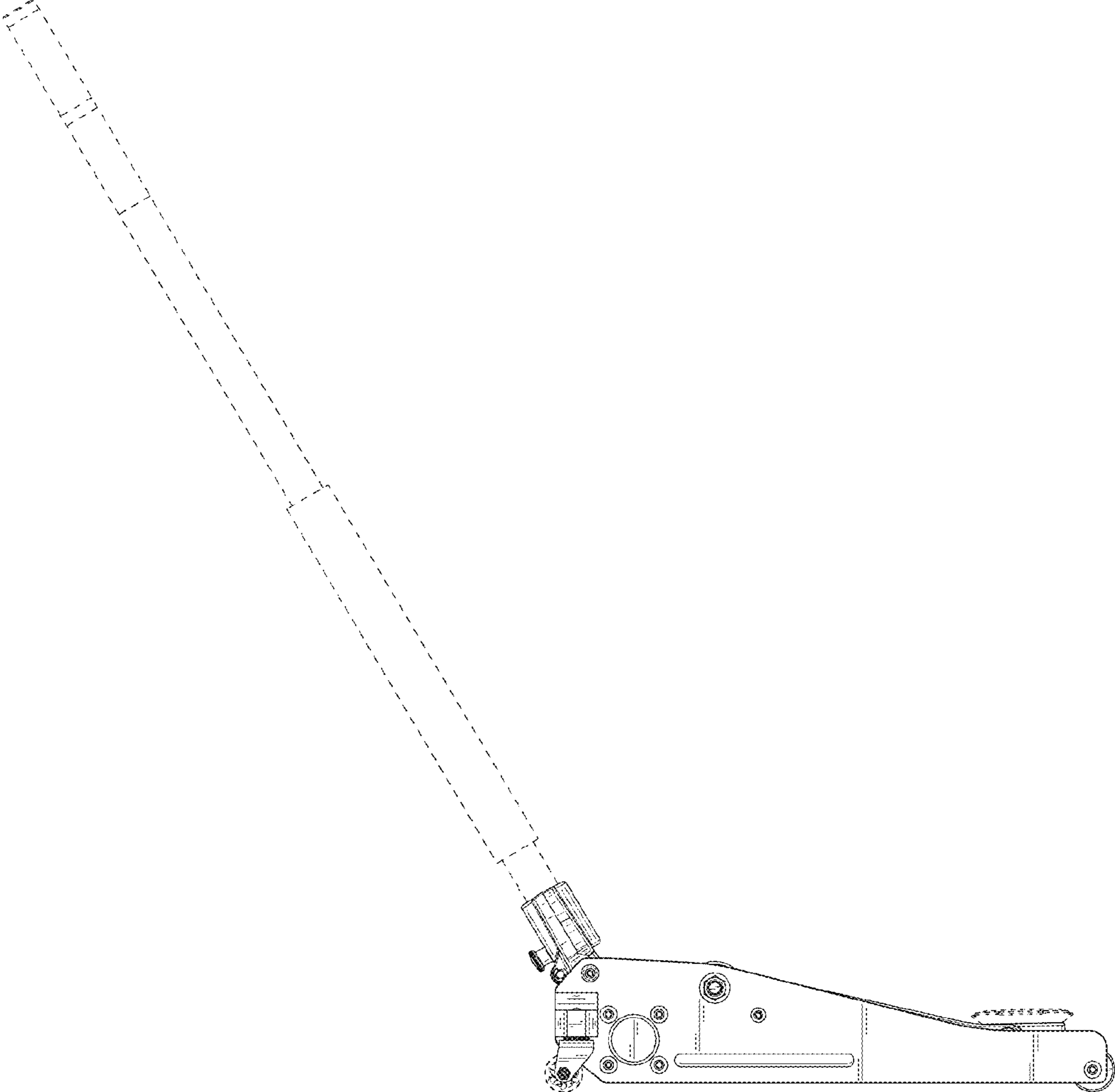


FIG. 4

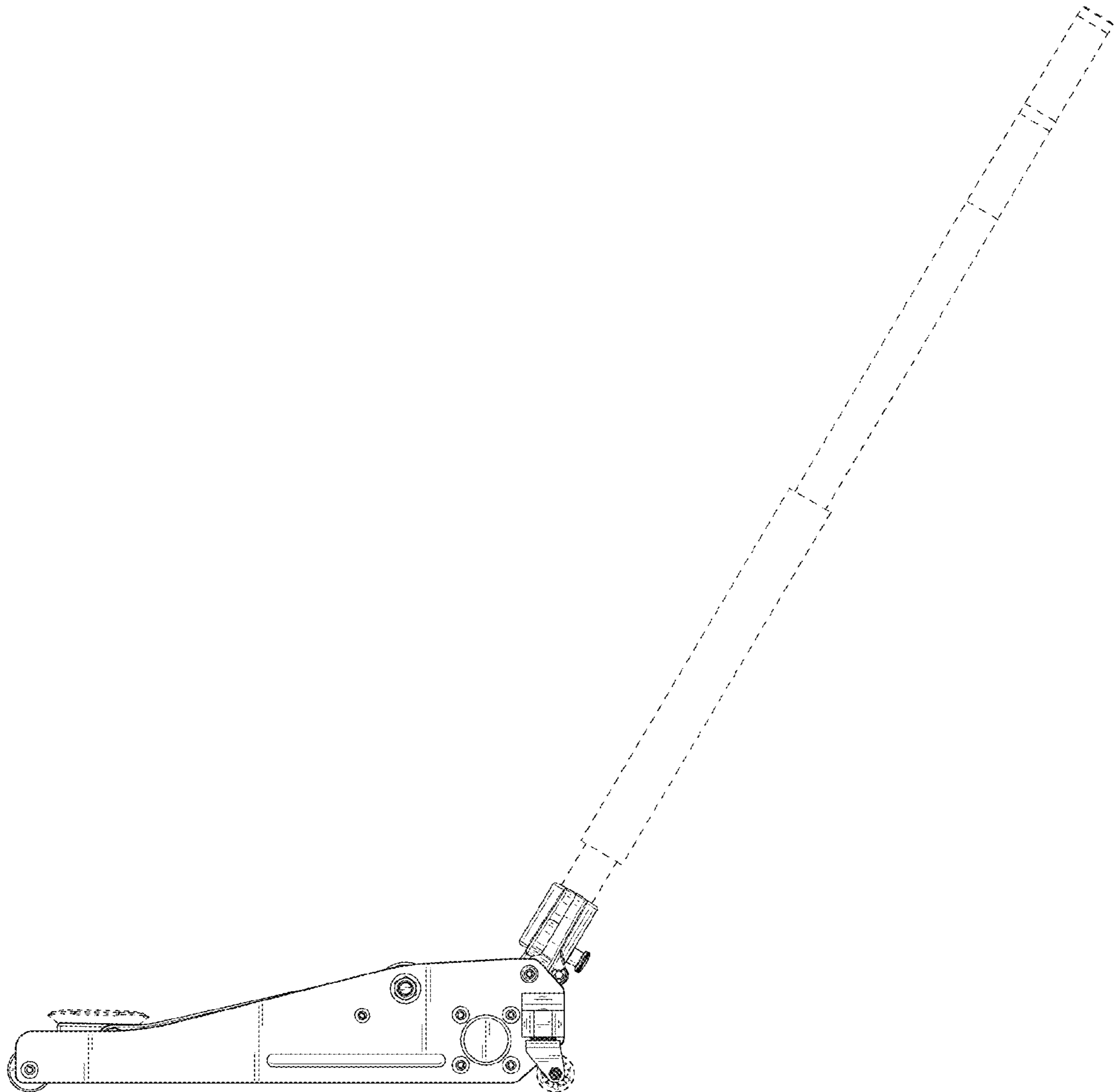


FIG. 5

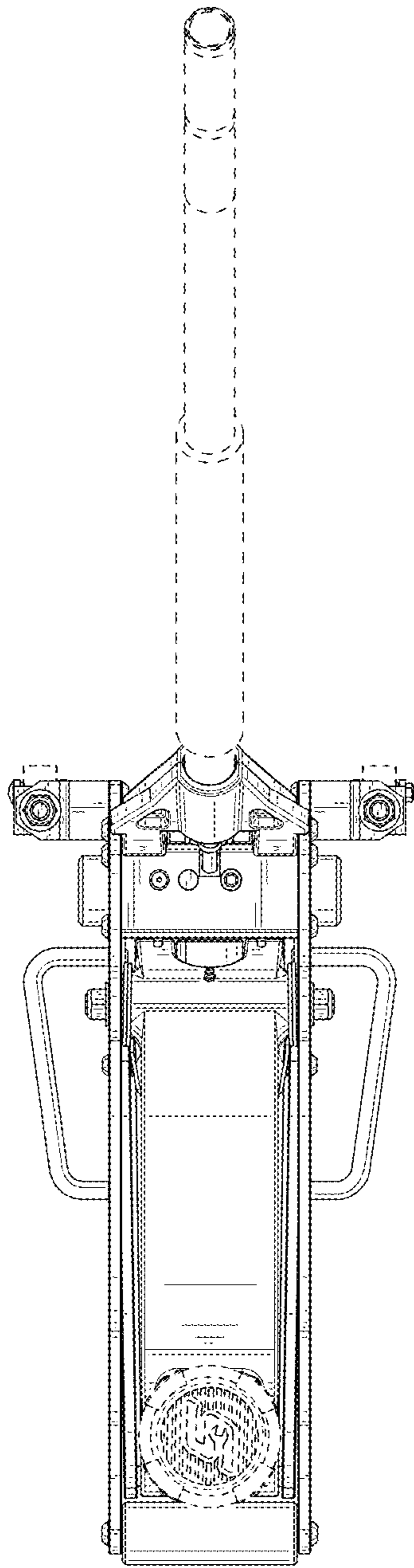


FIG. 6

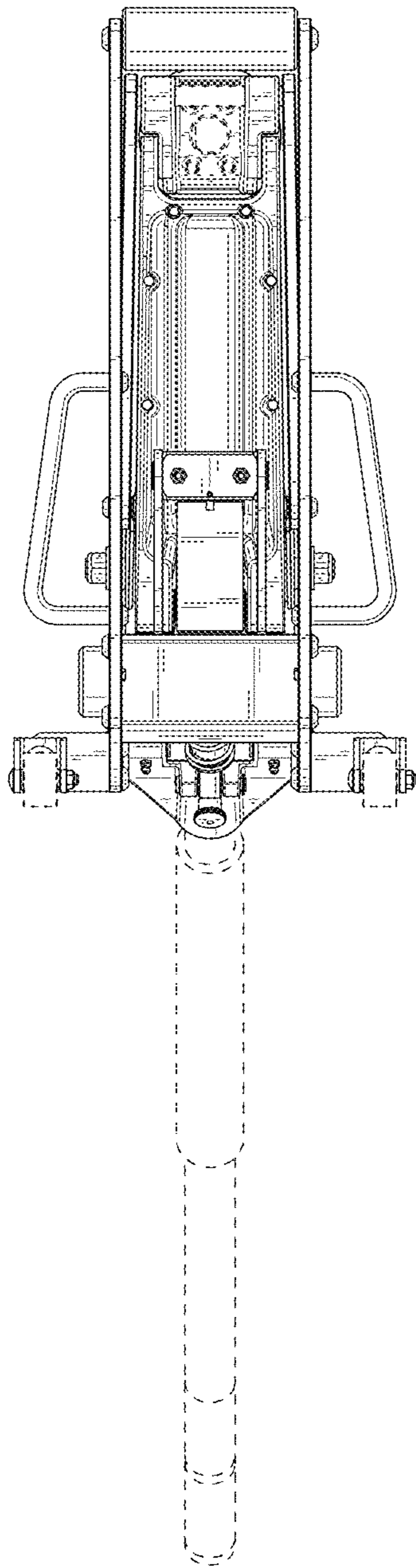


FIG. 7

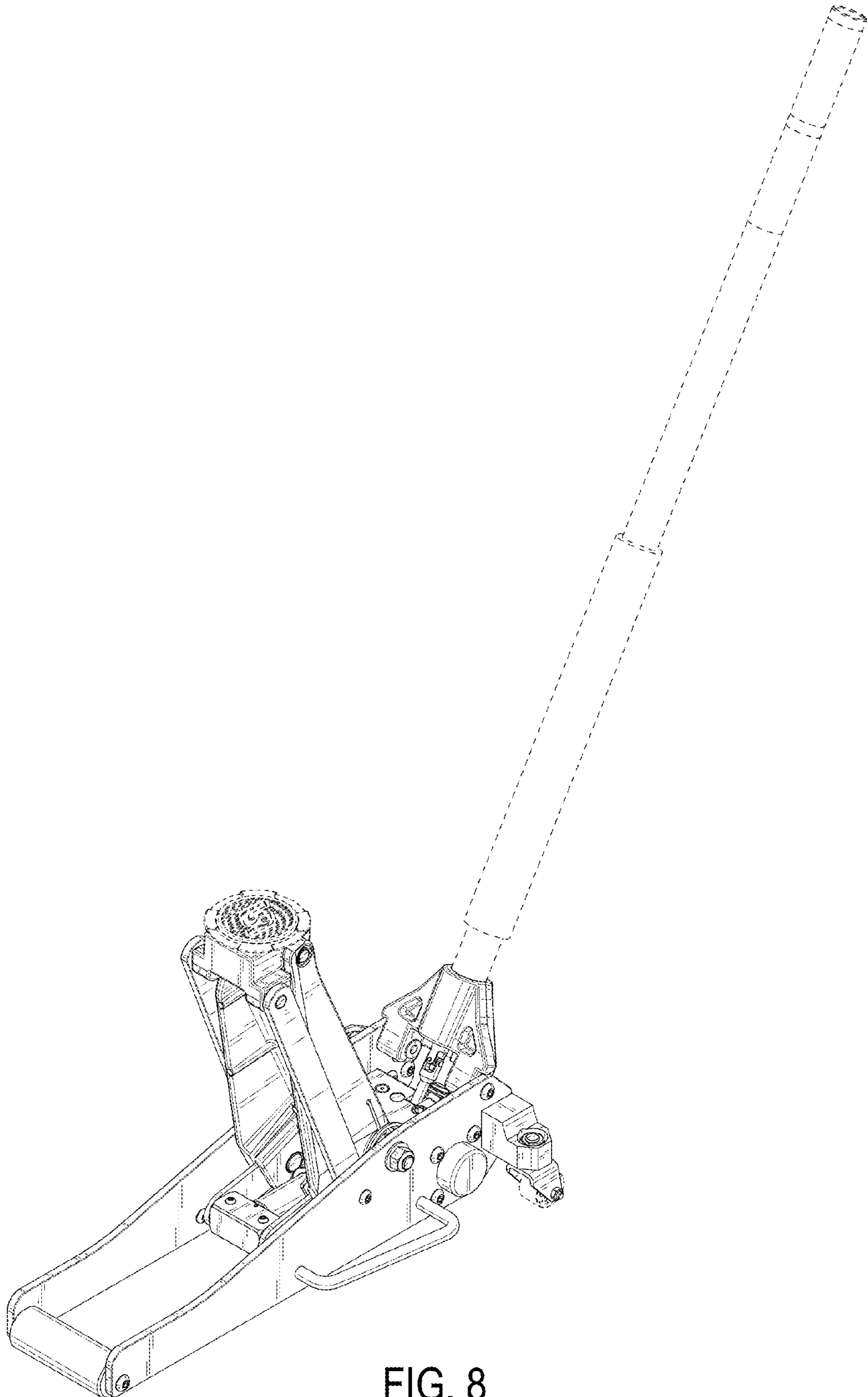


FIG. 8

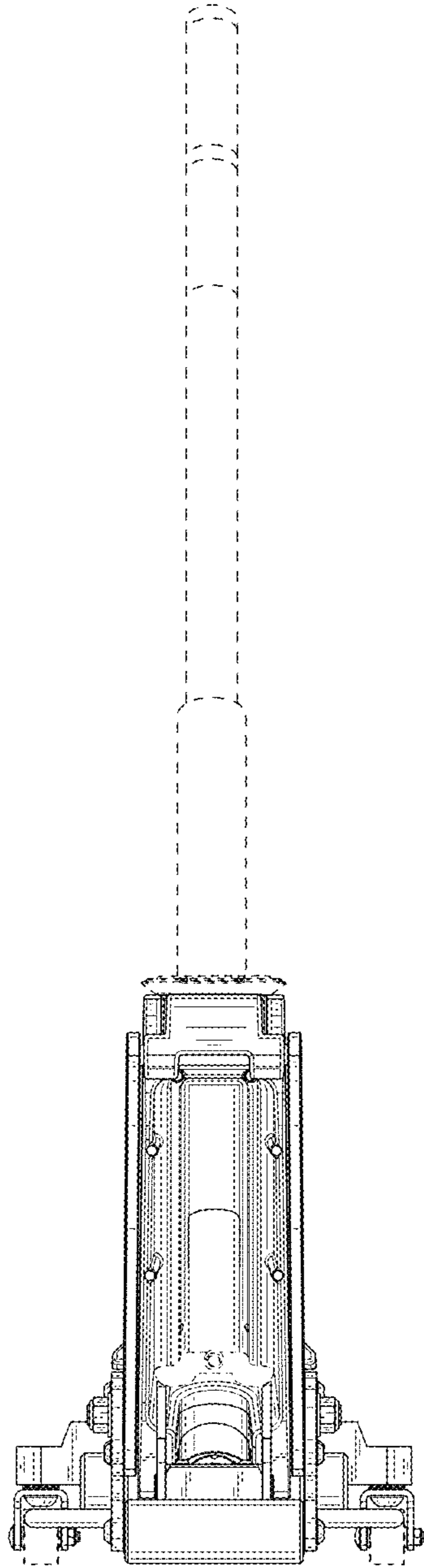


FIG. 9

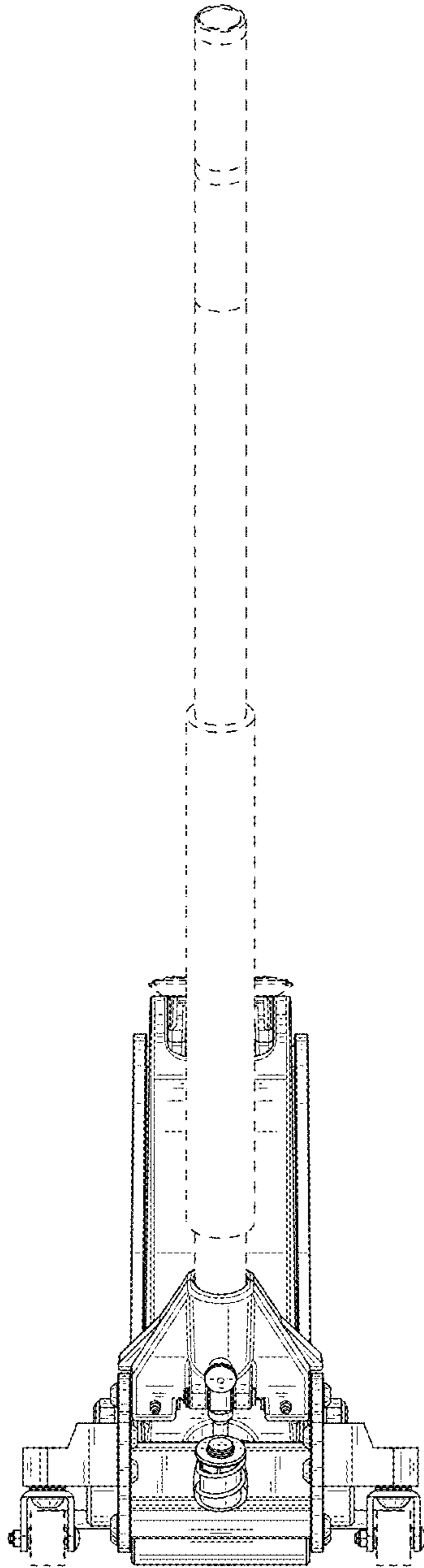


FIG. 10

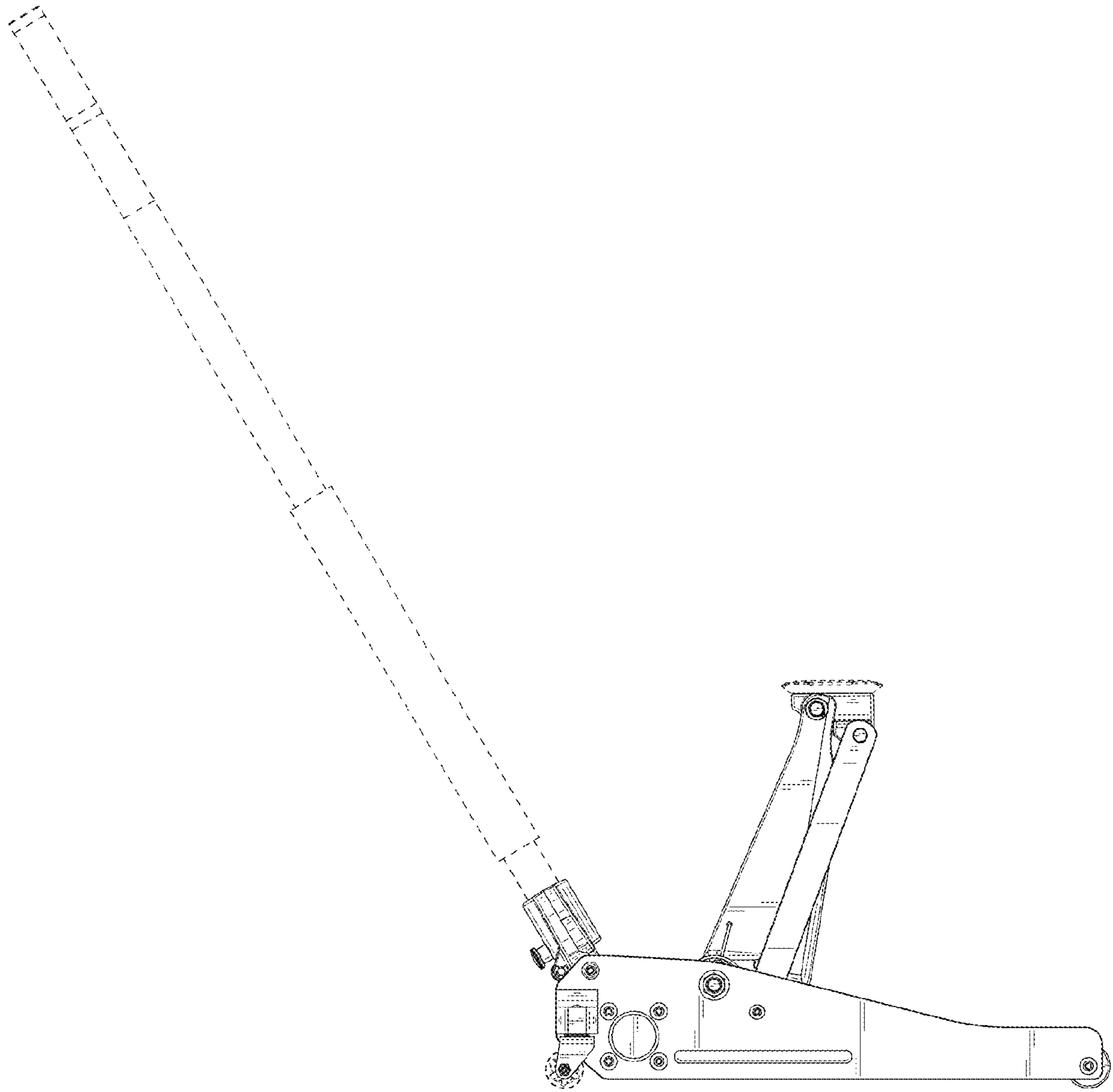


FIG. 11

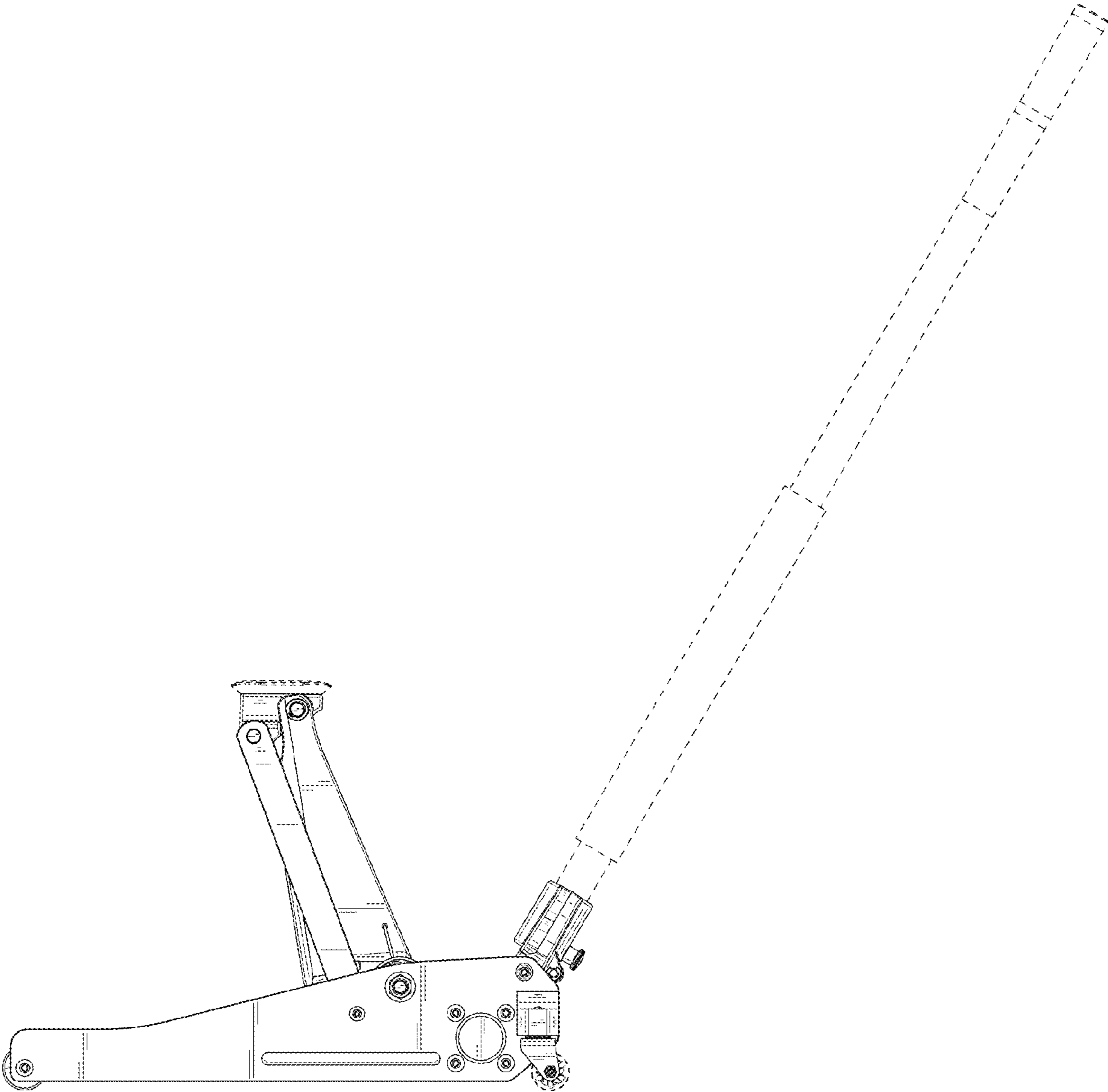


FIG. 12

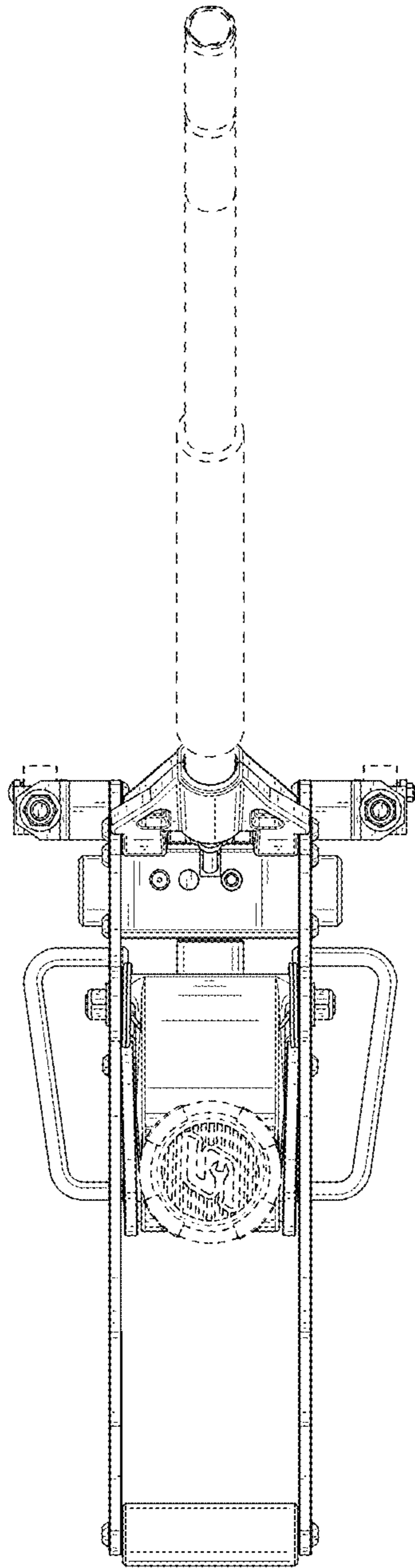


FIG. 13

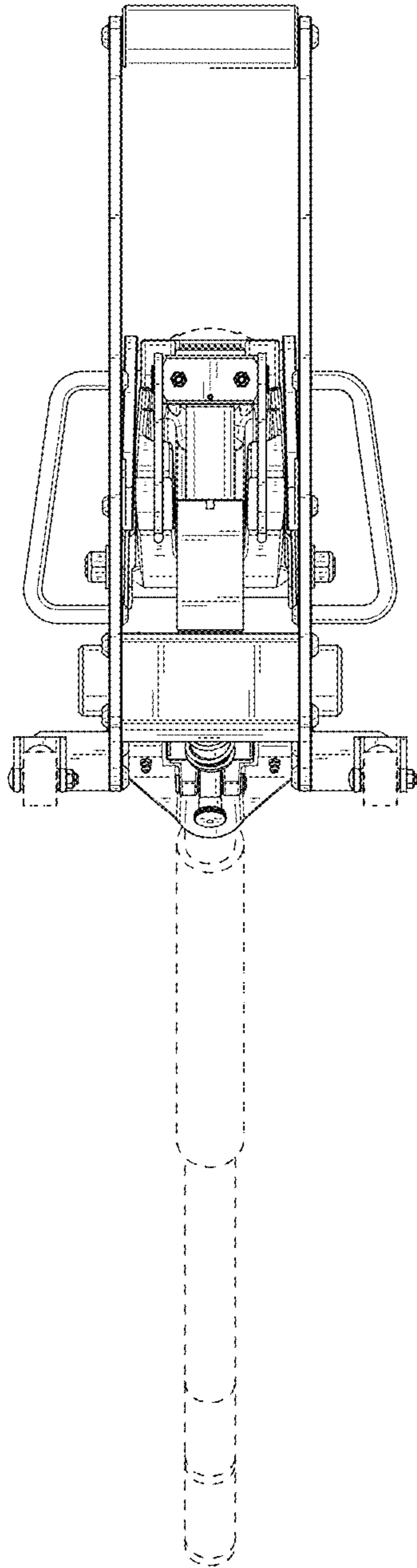


FIG. 14