



US00D973992S

(12) **United States Design Patent** (10) **Patent No.:** **US D973,992 S**
Li (45) **Date of Patent:** **** Dec. 27, 2022**

(54) **TOOL WAGON**
(71) Applicant: **LUOYANG DBIN OFFICE**
FURNITURE CO., LTD., Luoyang
(CN)

(72) Inventor: **Yingbin Li**, Luoyang (CN)

(73) Assignee: **LUOYANG DBIN OFFICE**
FURNITURE CO., LTD., Luoyang
(CN)

(**) Term: **15 Years**

(21) Appl. No.: **29/844,213**

(22) Filed: **Jun. 28, 2022**

(51) **LOC (13) Cl.** **12-02**

(52) **U.S. Cl.**
USPC **D34/14**

(58) **Field of Classification Search**
USPC D34/12, 14, 17, 20, 21, 27
CPC .. B62B 1/00; B62B 1/008; B62B 1/12; B62B
1/10; B62B 3/002; B62B 3/006; B62B
3/02; B62B 3/10; B62B 3/022; B62B
3/001; B62B 3/067; B62B 3/005; B62B
2205/02; B62B 2205/20; B62B 2205/26;
B62B 2205/33

See application file for complete search history.

(56) **References Cited**

U.S. PATENT DOCUMENTS

D301,178 S * 5/1989 Norman D34/21
D561,972 S * 2/2008 Roever D34/17
D625,071 S * 10/2010 Shigeno D24/185
D794,133 S 8/2017 Ostergaard et al.
D893,822 S 8/2020 Ohirko
2004/0129658 A1* 7/2004 LeClerc A47F 7/0028
312/902

2013/0026120 A1* 1/2013 Johnson B65H 67/085
211/85.5
2014/0217044 A1* 8/2014 Cole B25H 3/028
211/13.1
2018/0244293 A1* 8/2018 Murray A47F 13/00

OTHER PUBLICATIONS

dbinofficefurniture.com Oct. 31, 2022, Steel tool cabinet with two drawers, <https://www.dbinofficefurniture.com/steel-tool-cabinet-with-two-drawers.html> (Year: 2022).*

* cited by examiner

Primary Examiner — Cynthia Ramirez

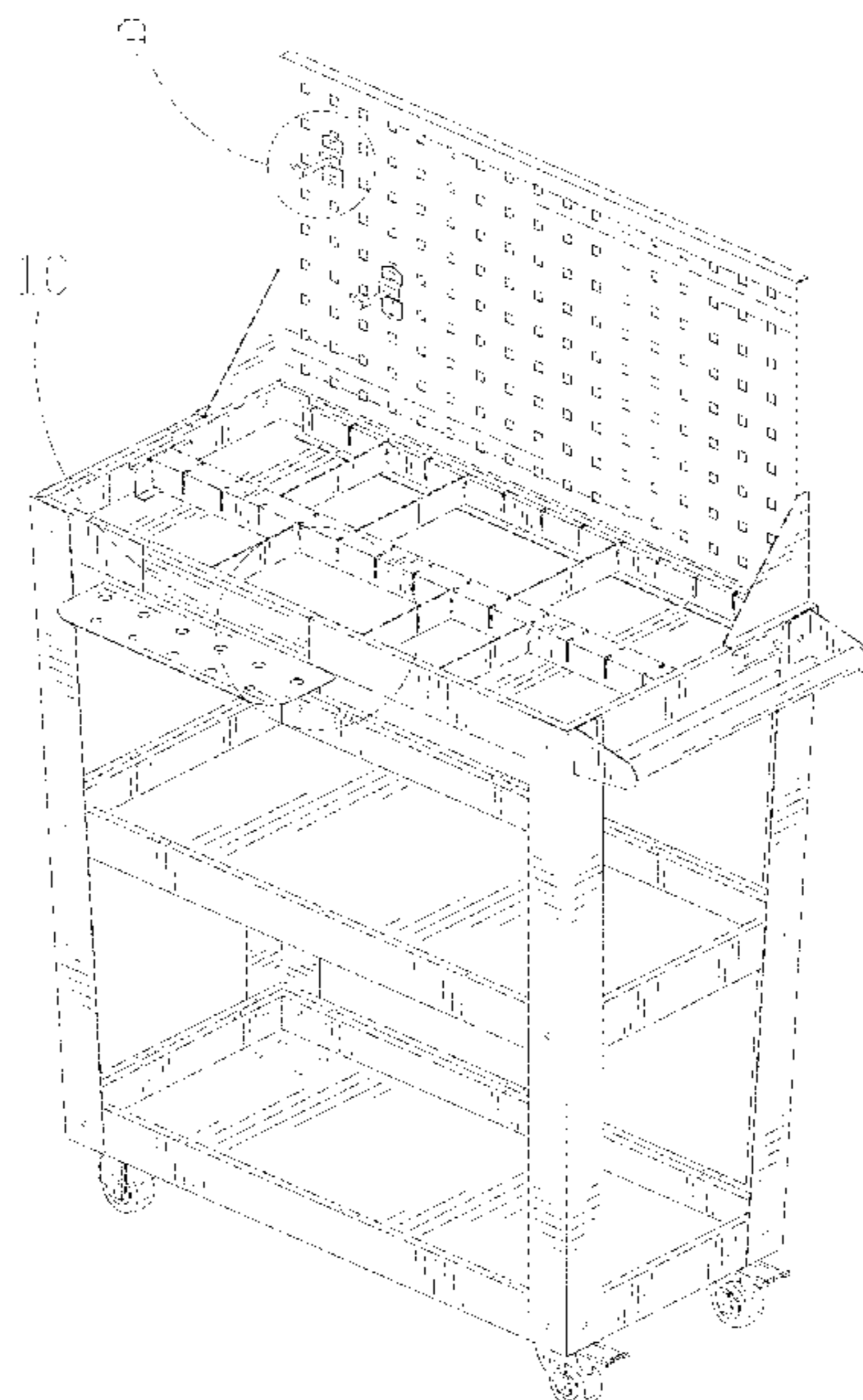
(57) **CLAIM**

The ornamental design for a tool wagon, as shown and described.

DESCRIPTION

FIG. 1 is a perspective view of a tool wagon showing my new design;
FIG. 2 is another perspective view thereof;
FIG. 3 is a front elevational view thereof;
FIG. 4 is a rear elevational view thereof;
FIG. 5 is a left side elevational view thereof;
FIG. 6 is a right side elevational view thereof;
FIG. 7 is a top plan view thereof;
FIG. 8 is a bottom plan view thereof;
FIG. 9 is an enlarged view of portion 9 shown in FIG. 1;
FIG. 10 is an enlarged view of portion 10 shown in FIG. 1;
and,
FIG. 11 is an enlarged view of portion 11 shown in FIG. 2.
The dash-dash broken lines in the drawings depict portions of the tool wagon that form no part of the claimed design. The dot-dash broken lines represent boundaries of the enlarged portions and form no part of the claimed design.

1 Claim, 11 Drawing Sheets



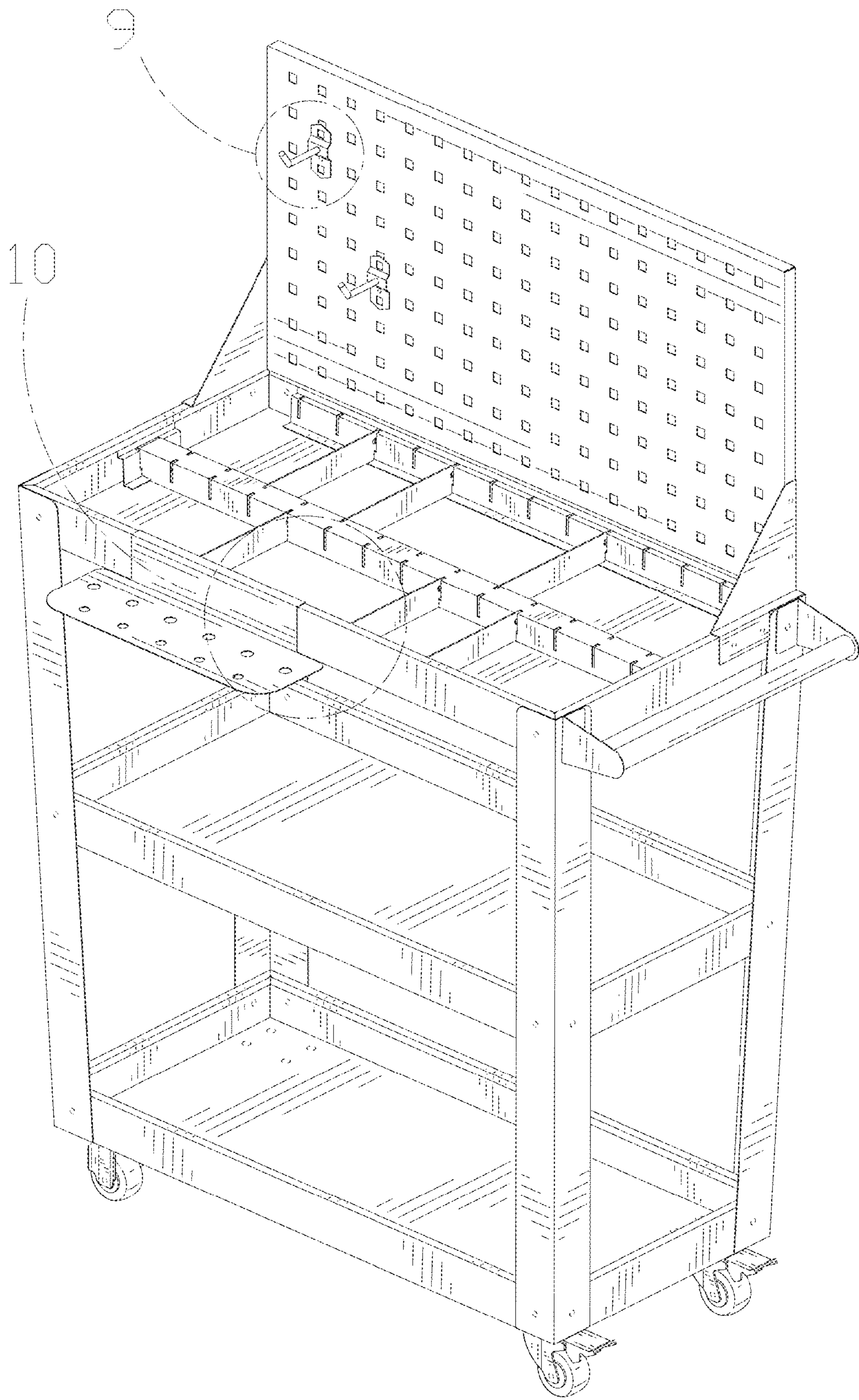


FIG. 1

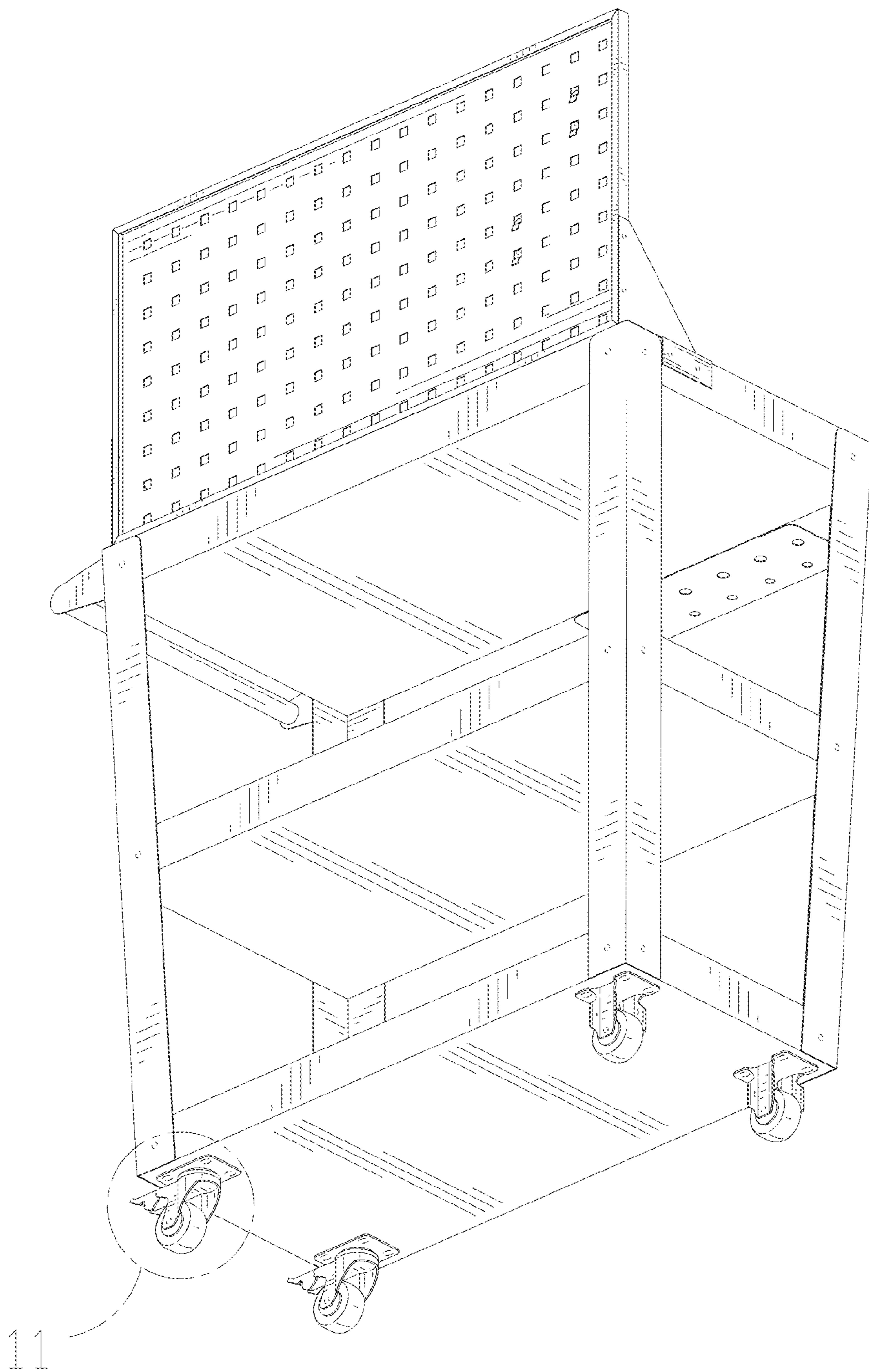


FIG. 2

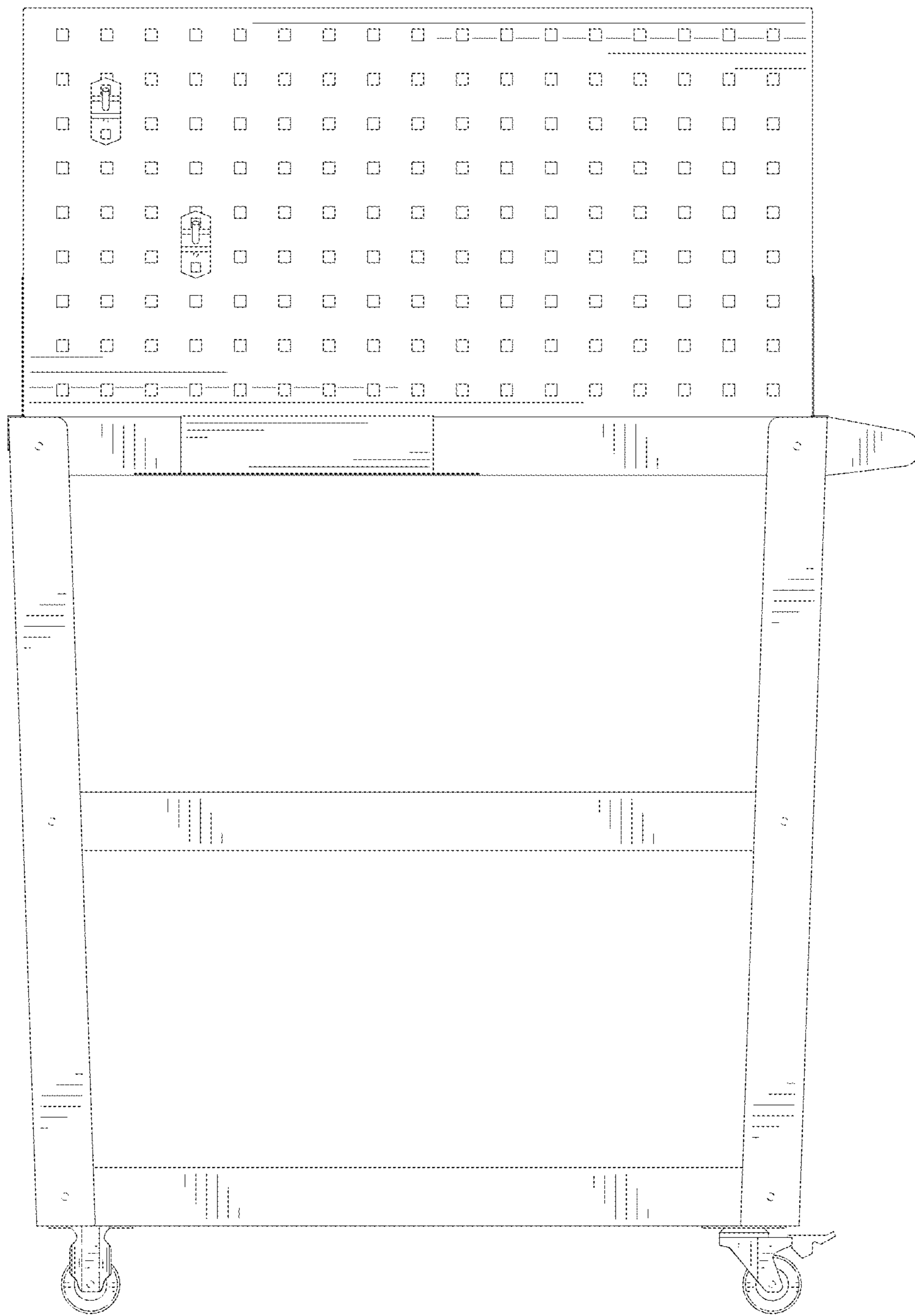


FIG. 3

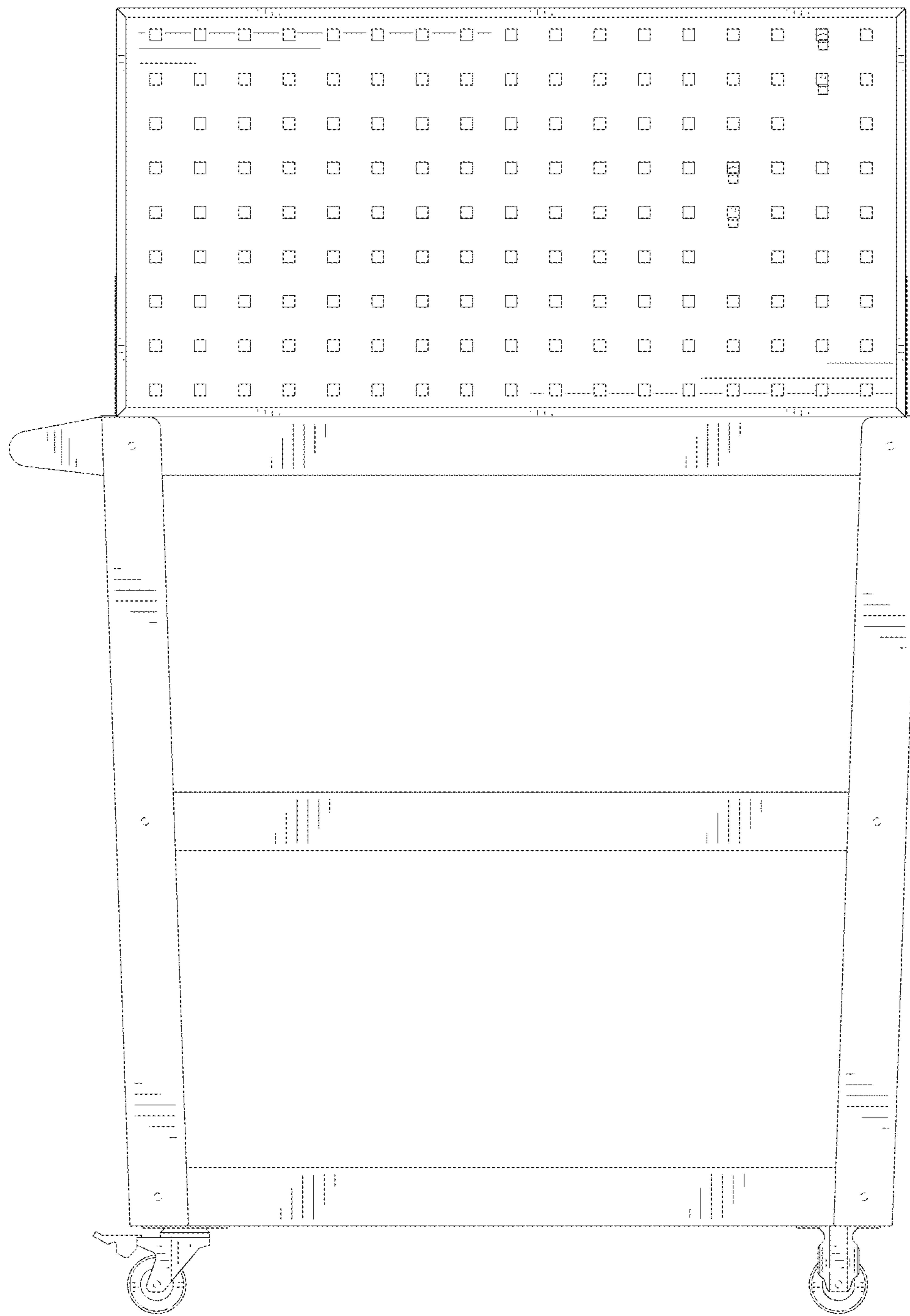


FIG. 4

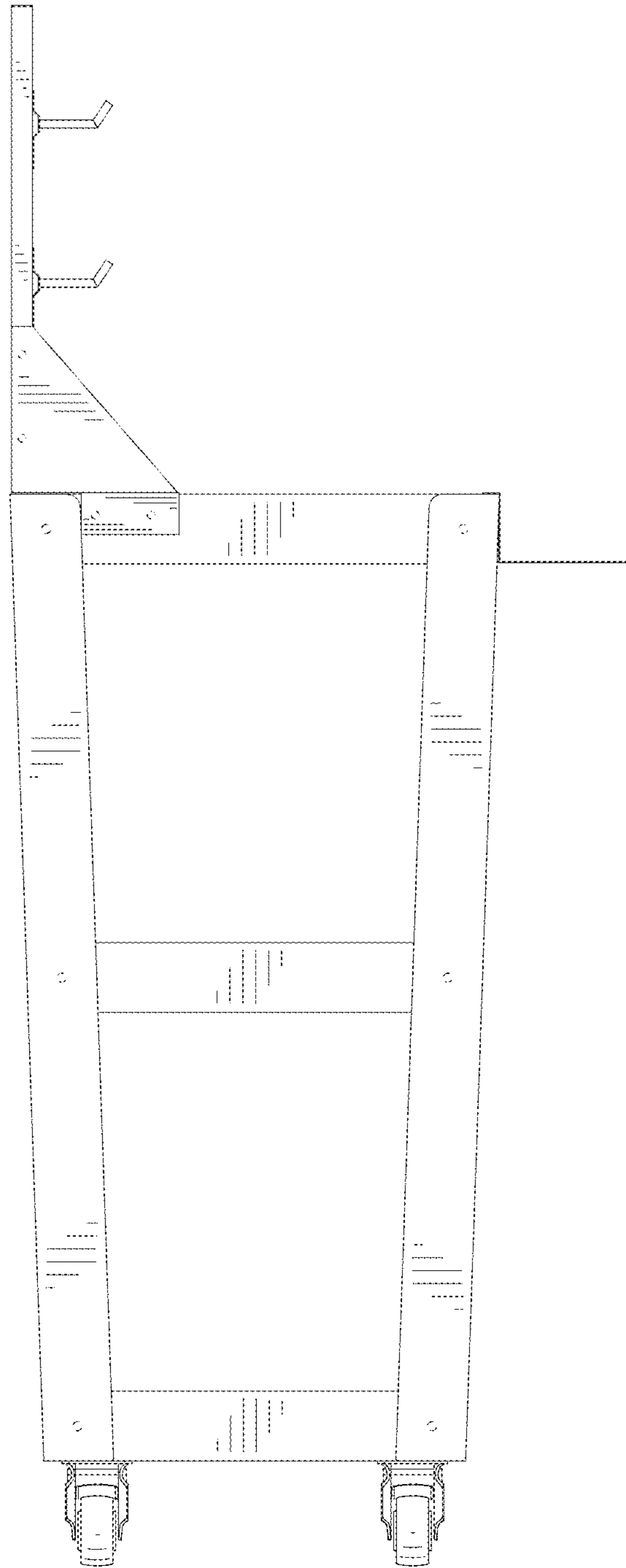


FIG. 5

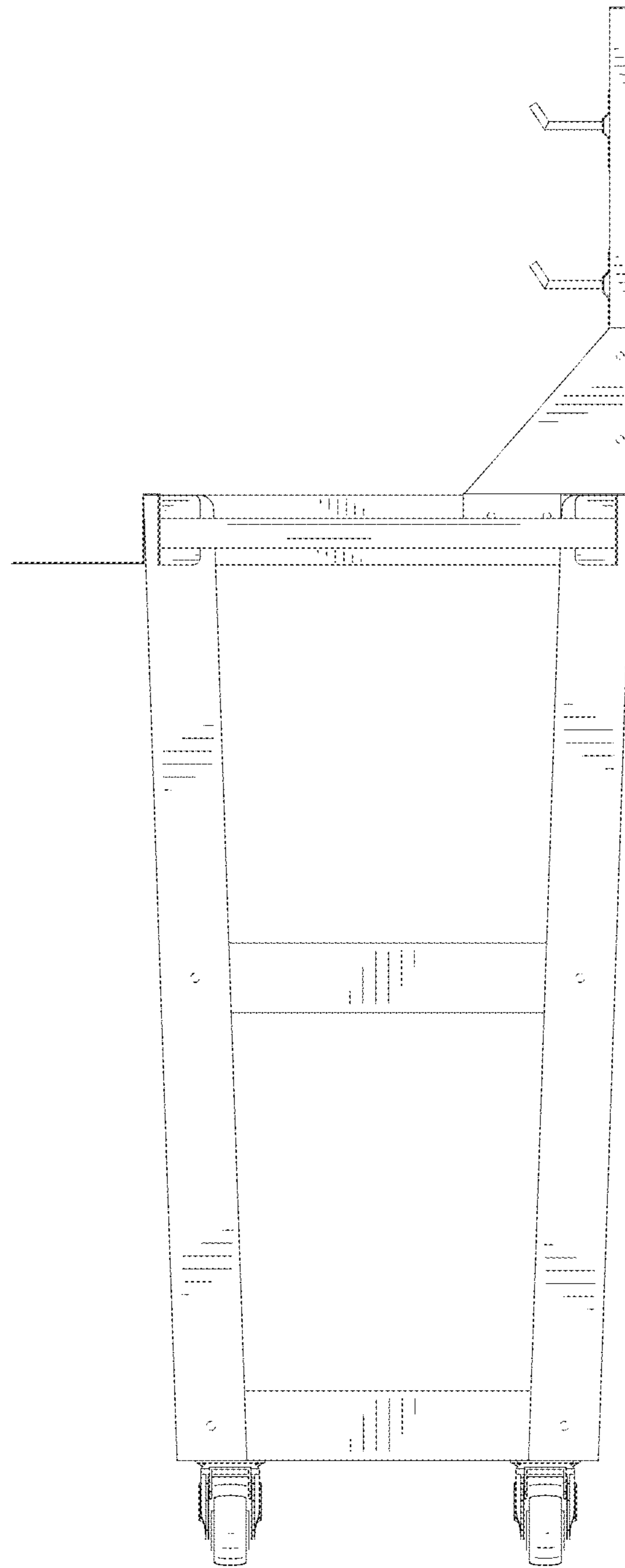


FIG. 6

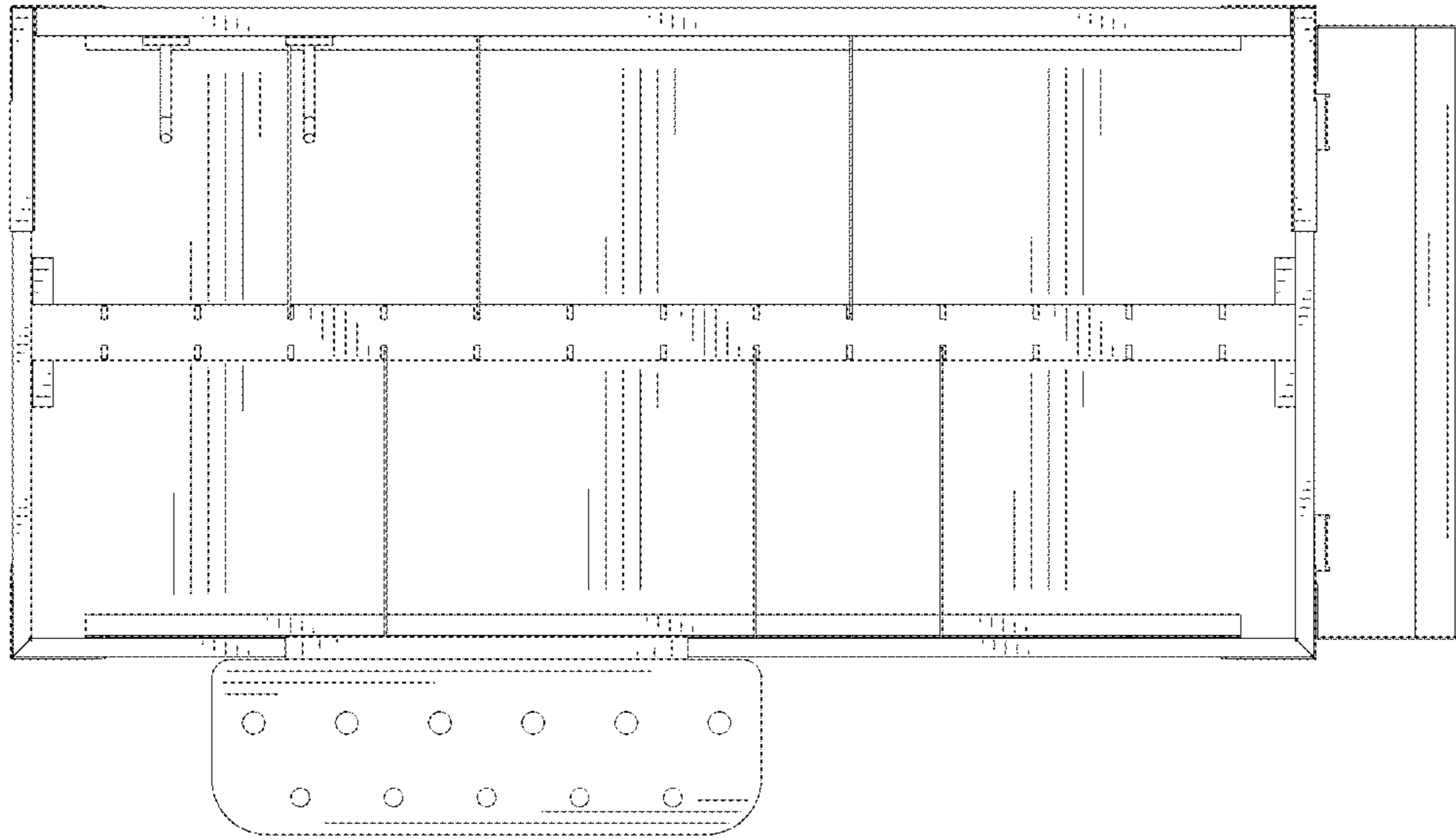


FIG. 7

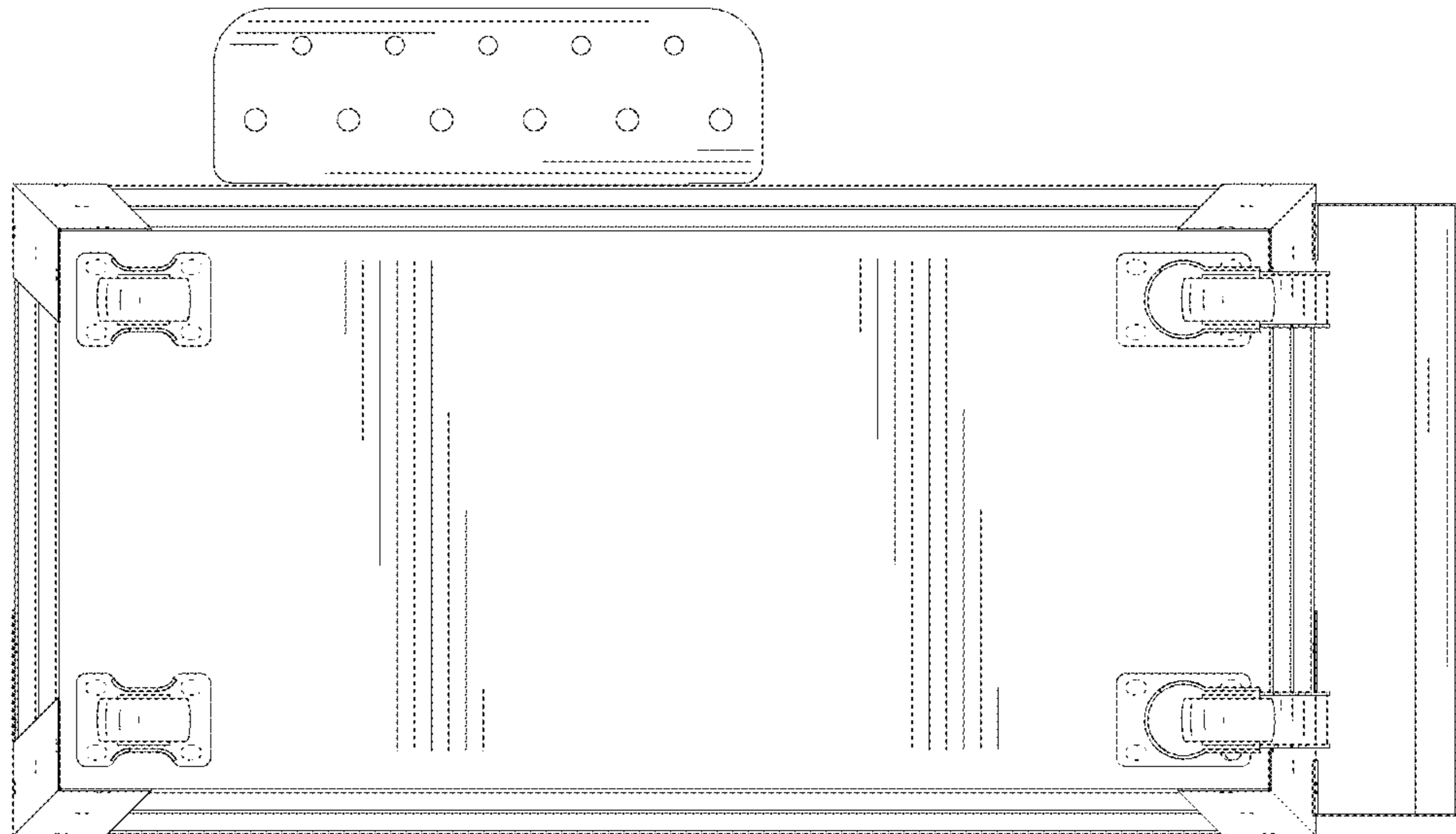


FIG. 8

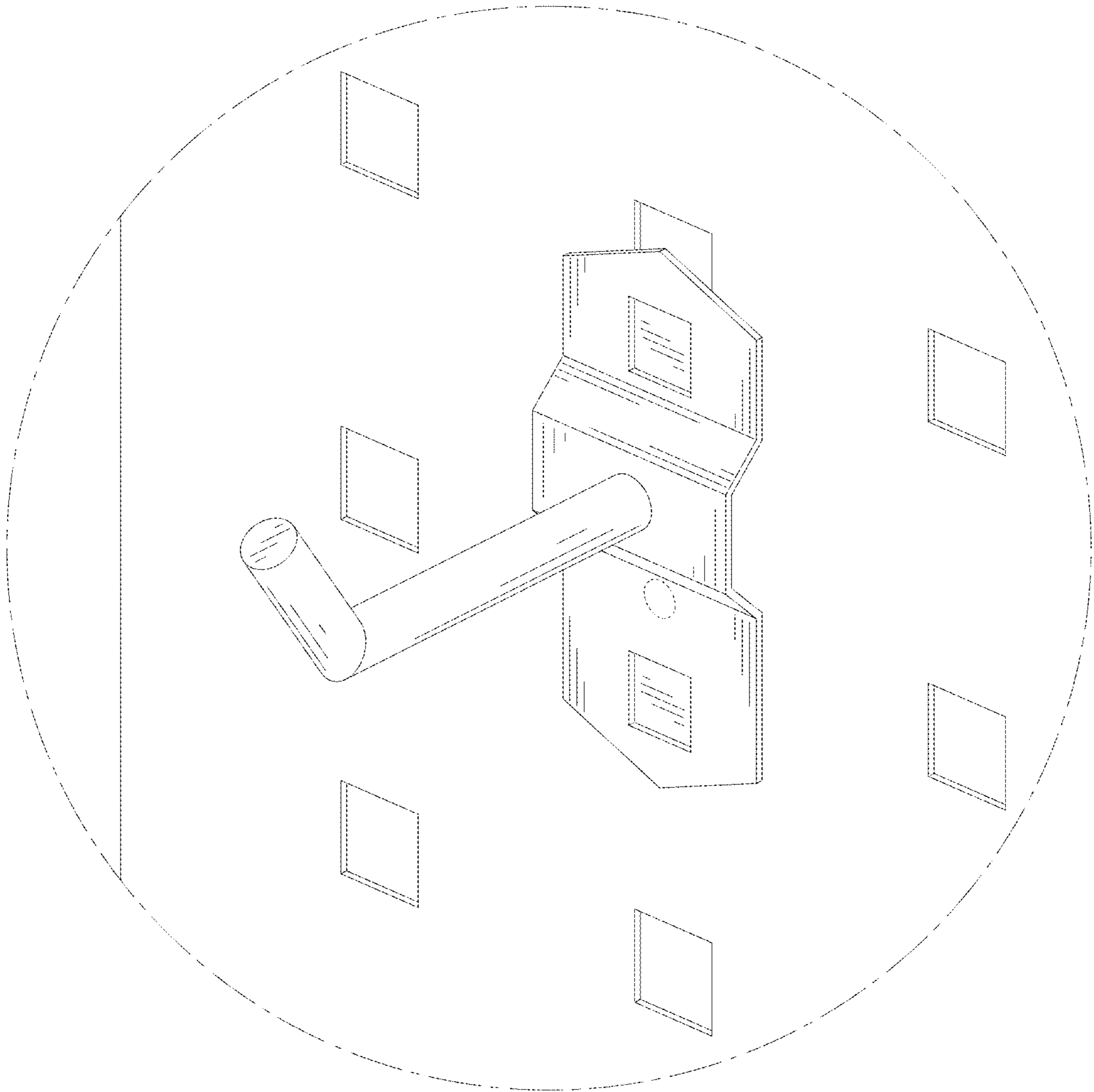


FIG. 9

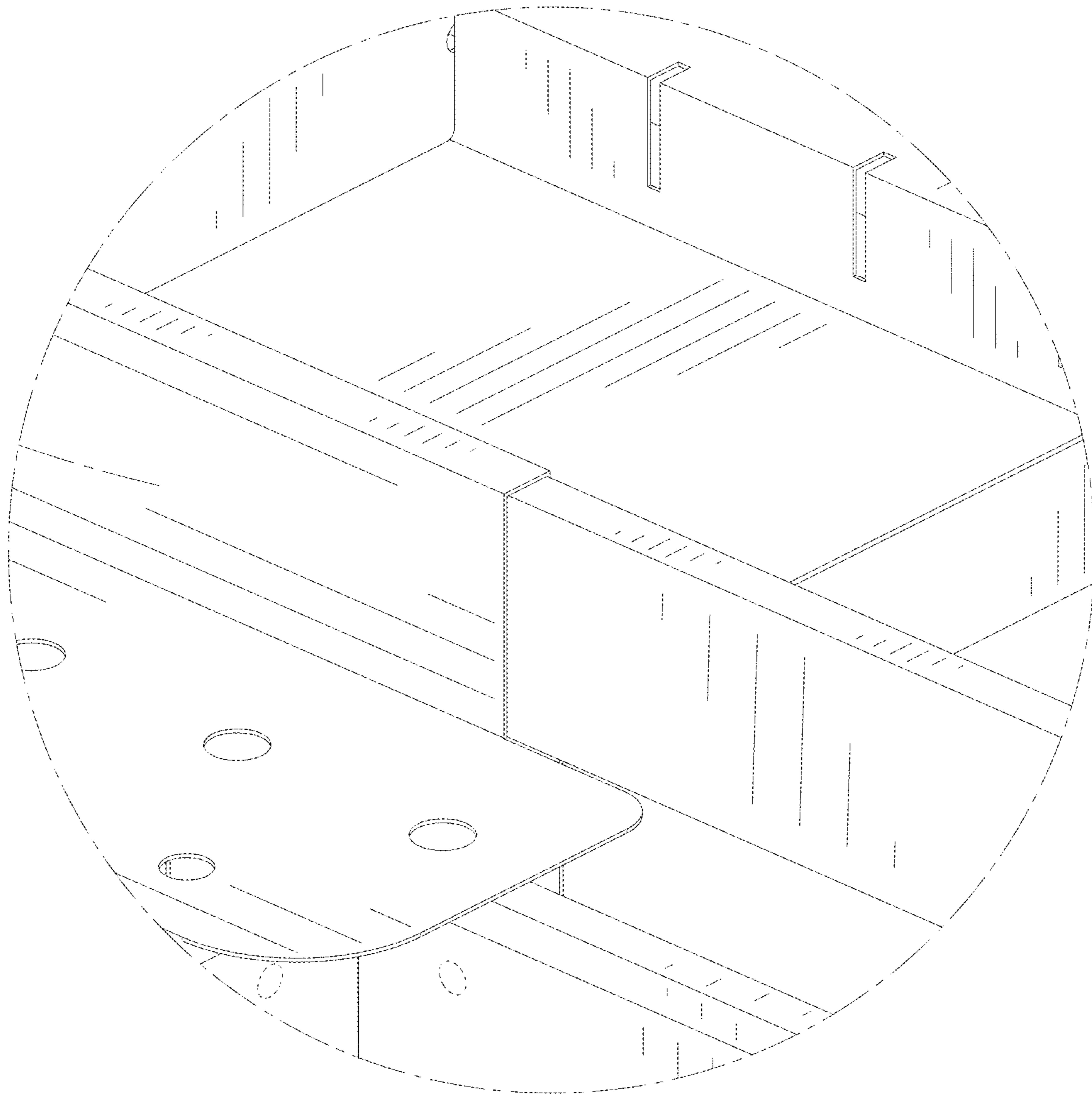


FIG. 10

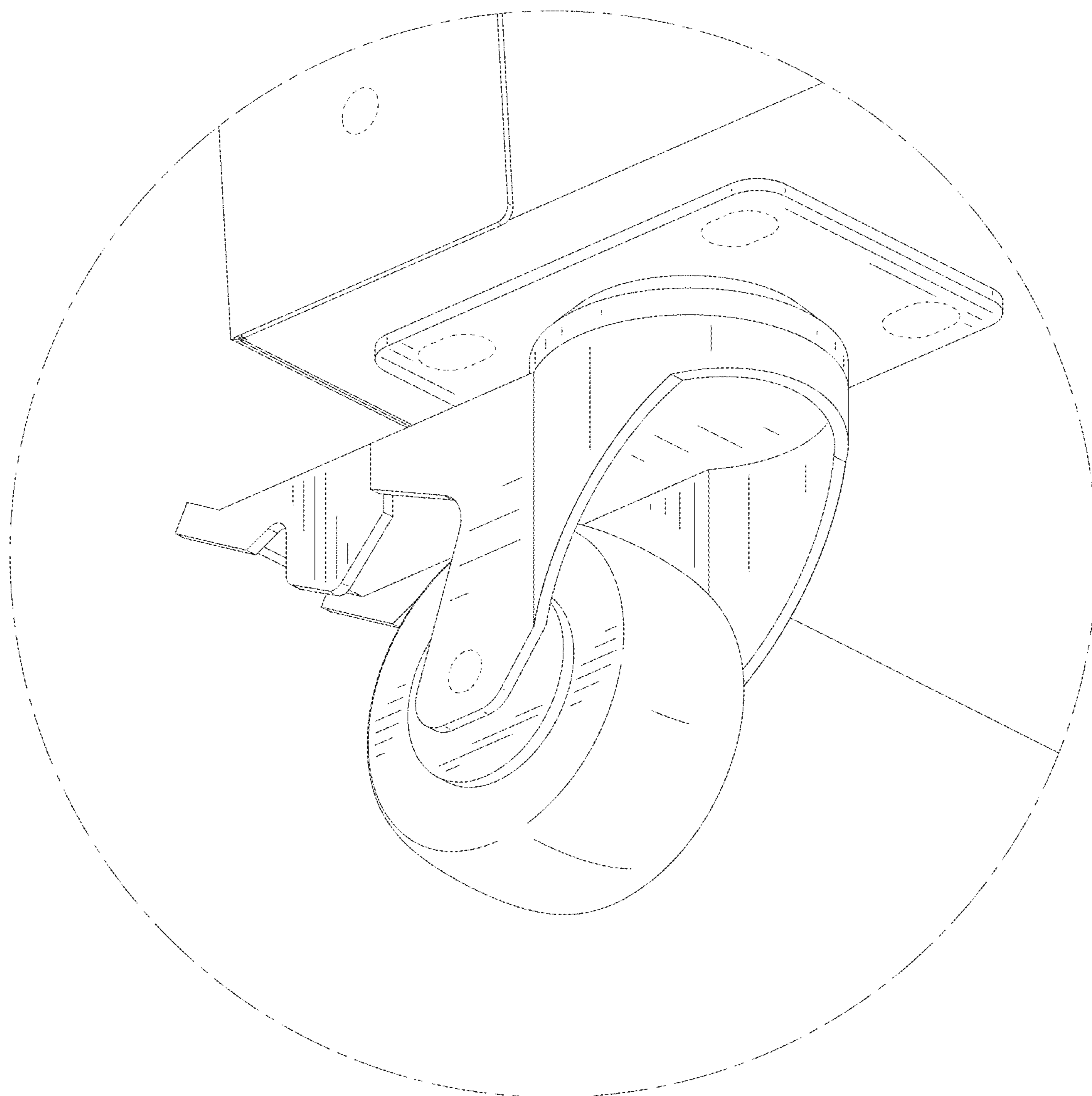


FIG. 11