



US00D973990S

(12) **United States Design Patent** (10) **Patent No.:** **US D973,990 S**
Lambertson, Jr. et al. (45) **Date of Patent:** **** Dec. 27, 2022**

(54) **COATING MATERIAL CONTAINER**

(71) Applicant: **SWIMC LLC**, Cleveland, OH (US)

(72) Inventors: **Michael C. Lambertson, Jr.**, Aurora, OH (US); **Joshua R. Robertson**, North Ridgeville, OH (US); **Yubing Lu**, Ningbo (CN)

(73) Assignee: **SWIMC LLC**

(**) Term: **15 Years**

(21) Appl. No.: **29/830,575**

(22) Filed: **Mar. 14, 2022**

Related U.S. Application Data

(63) Continuation of application No. 29/786,523, filed on Jun. 1, 2021, which is a continuation of application No. 29/726,239, filed on Mar. 2, 2020, now Pat. No. Des. 927,815.

(51) **LOC (13) Cl.** **07-05**

(52) **U.S. Cl.**
USPC **D32/53**

(58) **Field of Classification Search**
USPC D3/304, 307-315; D7/605, 701, D7/705-708; D32/37, 53, 53.1, 54
CPC B44D 3/123; B44D 3/128; B44D 3/126; B44D 3/127; B65D 2543/00092; B65D 71/0003; B65D 1/22; B65D 1/243; A47L 13/51; F25D 31/007; F25D 3/08
See application file for complete search history.

(56) **References Cited**

U.S. PATENT DOCUMENTS

2,277,739 A 3/1942 Worthington
D245,450 S 8/1977 Donlon
4,101,046 A 7/1978 Puntillo
D270,961 S 10/1983 Hawkins et al.

D305,467 S 1/1990 Dagge
D327,561 S * 6/1992 Hradisky D3/307
D353,241 S 12/1994 Breen
5,400,916 A 3/1995 Weber
D364,017 S 11/1995 Moffitt
5,493,751 A * 2/1996 Misiukowiec E06C 7/146
D32/53.1

(Continued)

FOREIGN PATENT DOCUMENTS

CA 2422885 C 9/2001
CA 2522230 C 10/2005

(Continued)

OTHER PUBLICATIONS

grainger.com <https://www.grainger.com/product/14A040> (Year: 2022).*

(Continued)

Primary Examiner — Kevin K Rudzinski
Assistant Examiner — Richard E Yenchesky
(74) *Attorney, Agent, or Firm* — Tucker Ellis LLP

(57) **CLAIM**

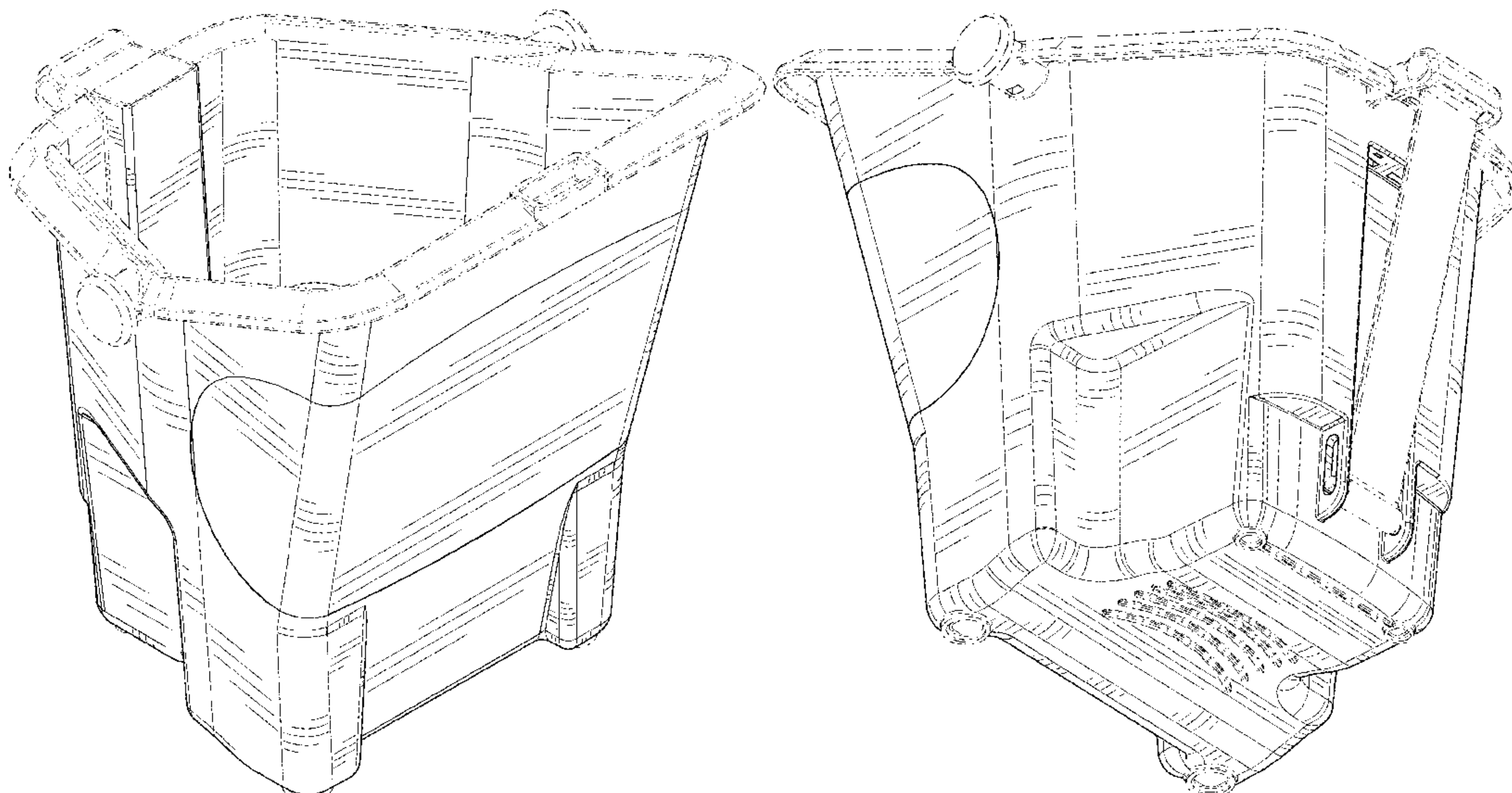
The ornamental design for a coating material container, as shown and described.

DESCRIPTION

FIG. 1 is a top perspective view of a coating material container showing a new design;
FIG. 2 is a bottom perspective view thereof;
FIG. 3 is a front view thereof;
FIG. 4 is a rear view thereof;
FIG. 5 is a left side view thereof;
FIG. 6 is a right side view thereof;
FIG. 7 is a top view thereof; and,
FIG. 8 is a bottom view thereof.

The broken lines show portions of the design that form no part of the claimed design.

1 Claim, 8 Drawing Sheets



(56)

References Cited

U.S. PATENT DOCUMENTS

5,511,279 A * 4/1996 Ippolito B44D 3/126
220/570

5,549,216 A 8/1996 Scholl
D395,531 S 6/1998 Mandell et al.
RE35,933 E 10/1998 Scholl
6,102,458 A 8/2000 Scace
6,138,963 A 10/2000 Malvasio
6,220,491 B1 4/2001 Wu
D444,929 S 7/2001 Cox
6,394,304 B1 5/2002 Bohne et al.
D458,723 S 6/2002 Malvasio
D460,845 S 7/2002 Bergman
6,419,106 B1 7/2002 Bebak
D461,608 S 8/2002 Davenport et al.
6,530,496 B2 3/2003 Moran
D472,684 S 4/2003 Bebak
D477,702 S 7/2003 Kohn
6,708,838 B2 3/2004 Bergman et al.
6,729,665 B1 5/2004 Posey et al.
D493,035 S 7/2004 Bergman
6,991,829 B2 1/2006 Bergman
D517,319 S * 3/2006 Wisnoski D3/304
D527,153 S * 8/2006 Morad D32/53
D528,706 S 9/2006 Jefferson
7,191,913 B2 3/2007 Byrne
D544,669 S * 6/2007 Casteel D32/53
D546,514 S * 7/2007 Byrne D32/53
D549,913 S * 8/2007 Bergman D32/53
7,387,323 B1 6/2008 Minnette et al.
7,410,074 B1 * 8/2008 Brunning B44D 3/126
220/570

D581,118 S 11/2008 Bergman
D581,119 S 11/2008 Bergman
7,527,164 B1 5/2009 Reichborn
D604,471 S 11/2009 Bergman
D607,624 S 1/2010 Bergman
7,644,835 B2 1/2010 Bergman
D611,307 S * 3/2010 Begin D7/603
D617,517 S 6/2010 Bergman
D627,119 S 11/2010 Bergman
D634,907 S 3/2011 Bergman
7,959,030 B2 6/2011 Bergman
D643,983 S 8/2011 Lockwood et al.
8,087,554 B2 1/2012 Gringer et al.
D661,855 S 6/2012 Bergman et al.
8,286,825 B2 10/2012 Billado, Jr.
8,308,341 B2 11/2012 Garcia
8,333,300 B2 12/2012 Diaz
D678,638 S 3/2013 Bergman et al.
D688,044 S * 8/2013 Brunner D3/304
8,505,788 B2 8/2013 Thibault
D690,482 S 9/2013 Bergman et al.
D692,198 S 10/2013 Bergman et al.
8,550,285 B2 10/2013 Bergman et al.
8,556,116 B2 10/2013 Bergman et al.
D694,975 S * 12/2013 Lambertson, Jr. D32/53
8,608,019 B2 12/2013 Wren
D697,281 S 1/2014 Bergman et al.
8,636,171 B1 1/2014 Dattilo
D702,907 S 4/2014 Bergman et al.
8,919,604 B2 12/2014 Bergman et al.
D723,235 S 2/2015 Bergman et al.
D728,884 S 5/2015 Waffensmith et al.
9,022,253 B2 5/2015 Oster et al.
D738,057 S 9/2015 Arvinte et al.
D744,186 S 11/2015 Gringer et al.
D744,711 S 12/2015 Gringer et al.
D756,049 S * 5/2016 Arvinte D32/53
D756,583 S * 5/2016 Arvinte D32/53
D761,511 S 7/2016 Malvasio
D762,033 S * 7/2016 Gooden D32/53
9,409,200 B2 8/2016 Bergman et al.
9,415,901 B2 8/2016 Beckman et al.
D769,561 S * 10/2016 Galbraith D32/53
D783,917 S 4/2017 Gringer et al.

D785,268 S 4/2017 Gringer et al.
D794,892 S 8/2017 Bergman et al.
D796,140 S 8/2017 Bergman et al.
D799,371 S 10/2017 Chan
D804,124 S 11/2017 Sagastume
D818,234 S * 5/2018 Luedke D32/53
D832,544 S 10/2018 Bergman et al.
D836,876 S 12/2018 Bergman et al.
D838,071 S * 1/2019 Robertson D32/53.1
D838,072 S 1/2019 Bergman et al.
D845,572 S 4/2019 Pollard
10,266,306 B2 4/2019 Bergman
D861,274 S 9/2019 Mitchell
D866,900 S 11/2019 Bergman et al.
D867,708 S 11/2019 Bergman et al.
10,501,989 B1 12/2019 McDonough et al.
D872,956 S * 1/2020 Young D32/53
D877,438 S 3/2020 Holding et al.
D887,097 S 6/2020 Holding et al.
D887,660 S 6/2020 Bergman et al.
D887,791 S * 6/2020 Yang D7/629
D908,999 S * 1/2021 Lambertson, Jr. D32/53.1
D916,411 S * 4/2021 Lænner D32/53
D927,815 S 8/2021 Lambertson, Jr. et al.
D933,921 S 10/2021 Nelson et al.
2002/0036206 A1 3/2002 Bergman et al.
2003/0184103 A1 10/2003 Cauchy
2004/0206761 A1 10/2004 Frantz
2006/0065668 A1 3/2006 Whitaker et al.
2006/0175362 A1 8/2006 Gringer et al.
2006/0201951 A1 9/2006 Cingel
2006/0226154 A1 10/2006 Lundy et al.
2006/0243732 A1 11/2006 Bergman
2007/0012705 A1 1/2007 Bergman
2007/0295768 A1 12/2007 Gringer et al.
2008/0223810 A1 9/2008 Garcia
2008/0251525 A1 10/2008 Fontaine et al.
2010/0140275 A1 6/2010 Billado, Jr.
2011/0163104 A1 7/2011 Hagen
2011/0315700 A1 12/2011 Macdonald et al.
2012/0132558 A1 * 5/2012 Busch B65D 21/062
206/503

2013/0119064 A1 5/2013 MacKay et al.
2013/0175281 A1 7/2013 Dattilo
2013/0341341 A1 12/2013 Giedroyce
2014/0043732 A1 2/2014 McKay et al.
2015/0217595 A1 8/2015 Piatek et al.
2015/0298496 A1 10/2015 Payne
2016/0229591 A1 8/2016 Bajuyo
2017/0057697 A1 3/2017 Fee et al.
2017/0113838 A1 4/2017 Bergman
2017/0129277 A1 5/2017 Rogowski et al.
2017/0253380 A1 9/2017 Boyer et al.
2018/0043731 A1 2/2018 Cheng
2018/0043732 A1 2/2018 Gringer et al.
2019/0217991 A1 7/2019 Bergman et al.
2019/0365159 A1 * 12/2019 Young B65D 25/2888
2020/0276859 A1 9/2020 Lambertson, Jr. et al.

FOREIGN PATENT DOCUMENTS

CA 2800172 C 10/2005
CA 2800164 C 4/2006
CA 2508552 A1 10/2006
CA 2959636 A1 3/2017
DE 60127156 T2 11/2007
EP 1792834 A2 6/2007
EP 1332095 B1 7/2007
EP 2565049 A1 6/2013
EP 3213655 A1 6/2017
GB 881203 11/1961
GB 1190428 5/1970
GB 2404608 A 9/2005
WO 9118810 A1 12/1991
WO 0027719 A1 5/2000

(56)

References Cited

FOREIGN PATENT DOCUMENTS

WO	0224537 A1	3/2002
WO	2010036606 A1	4/2010

OTHER PUBLICATIONS

“Disposable Liner”, https://www.amazon.com/Werner-AC27-L-Lock-Paint-Liner/dp/B003Z6QBPY/ref=asc_df_B003Z6QBPY/, (2014).

* cited by examiner

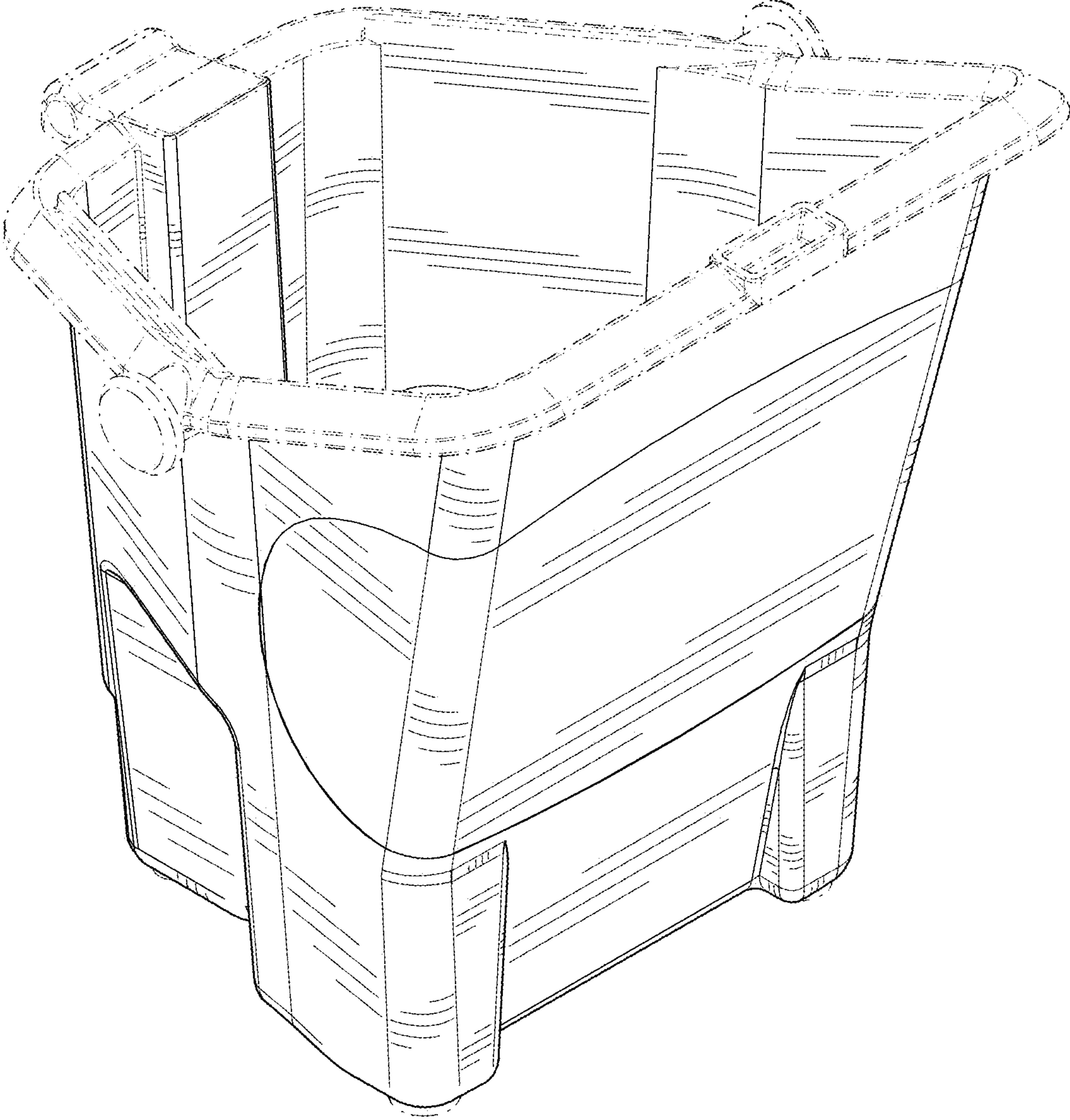


FIG. 1

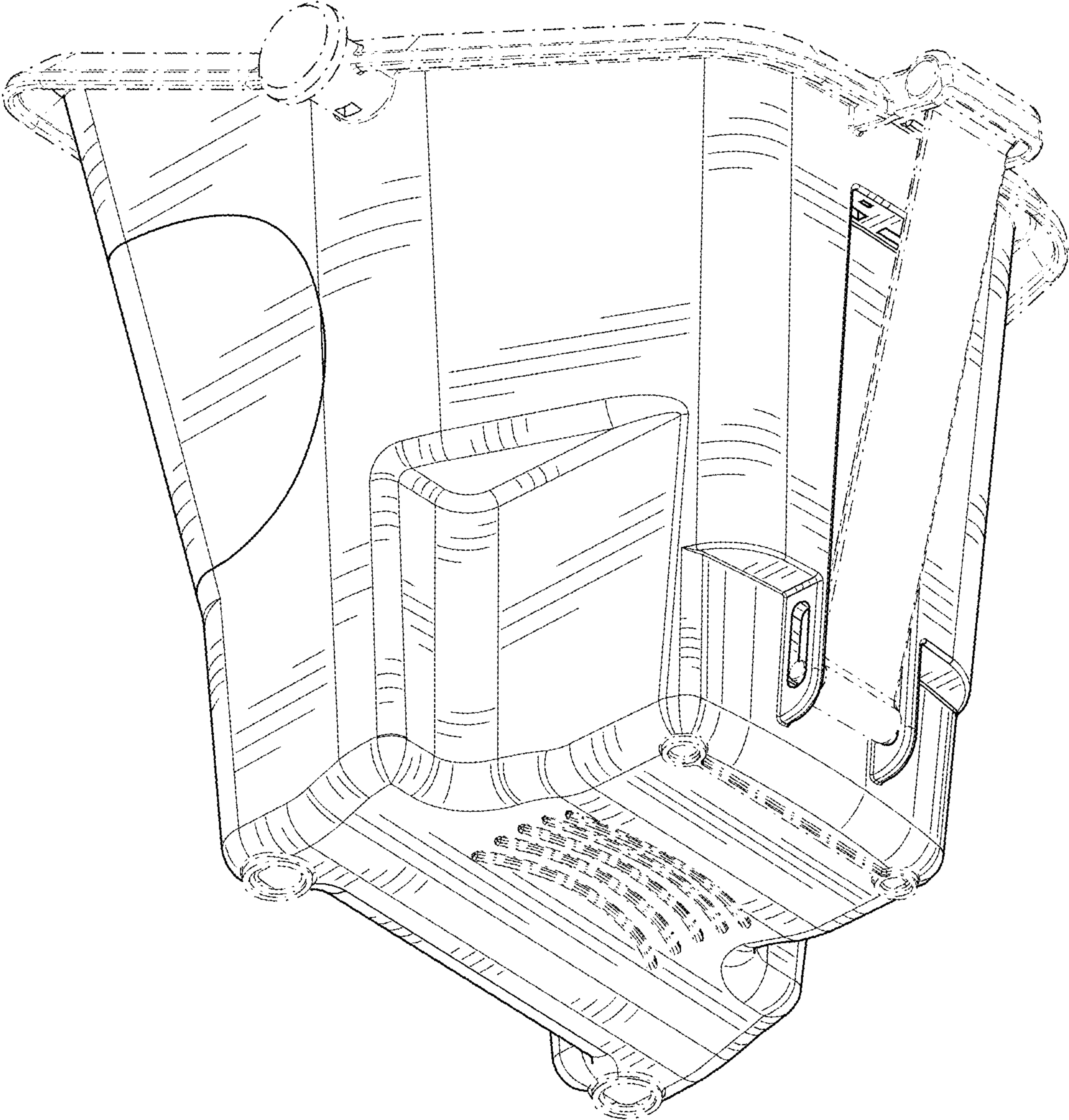


FIG. 2

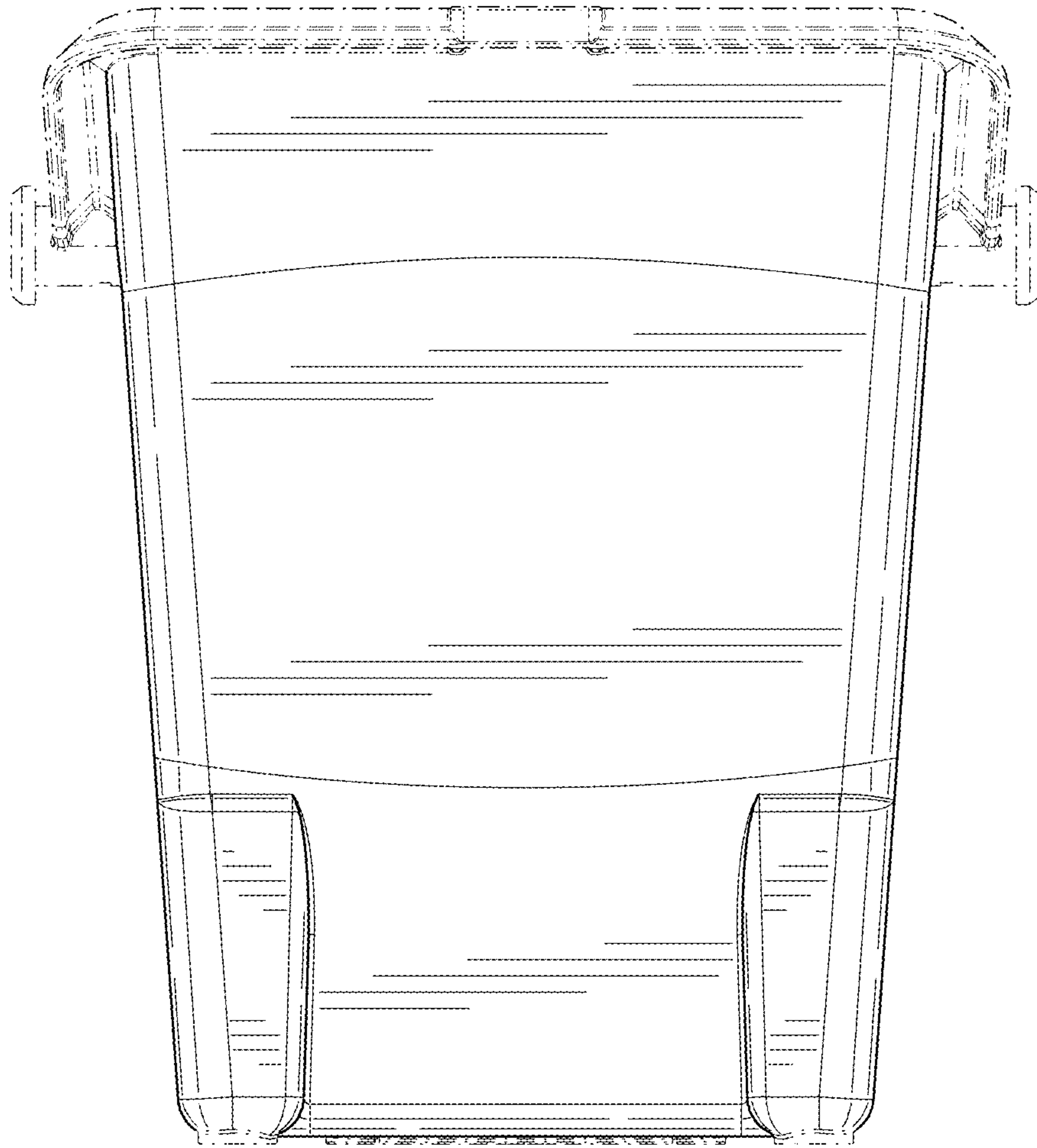


FIG. 3

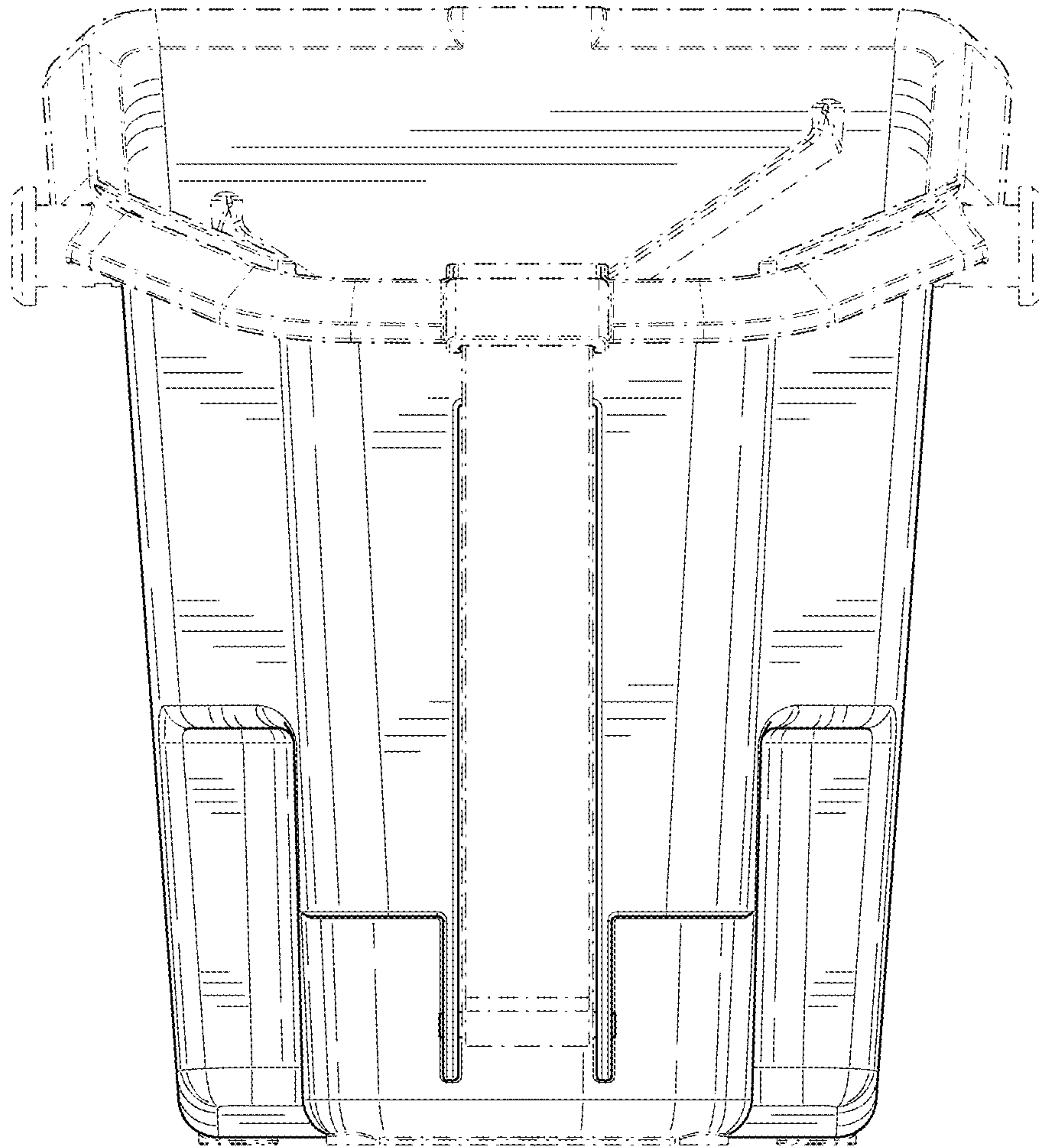


FIG. 4

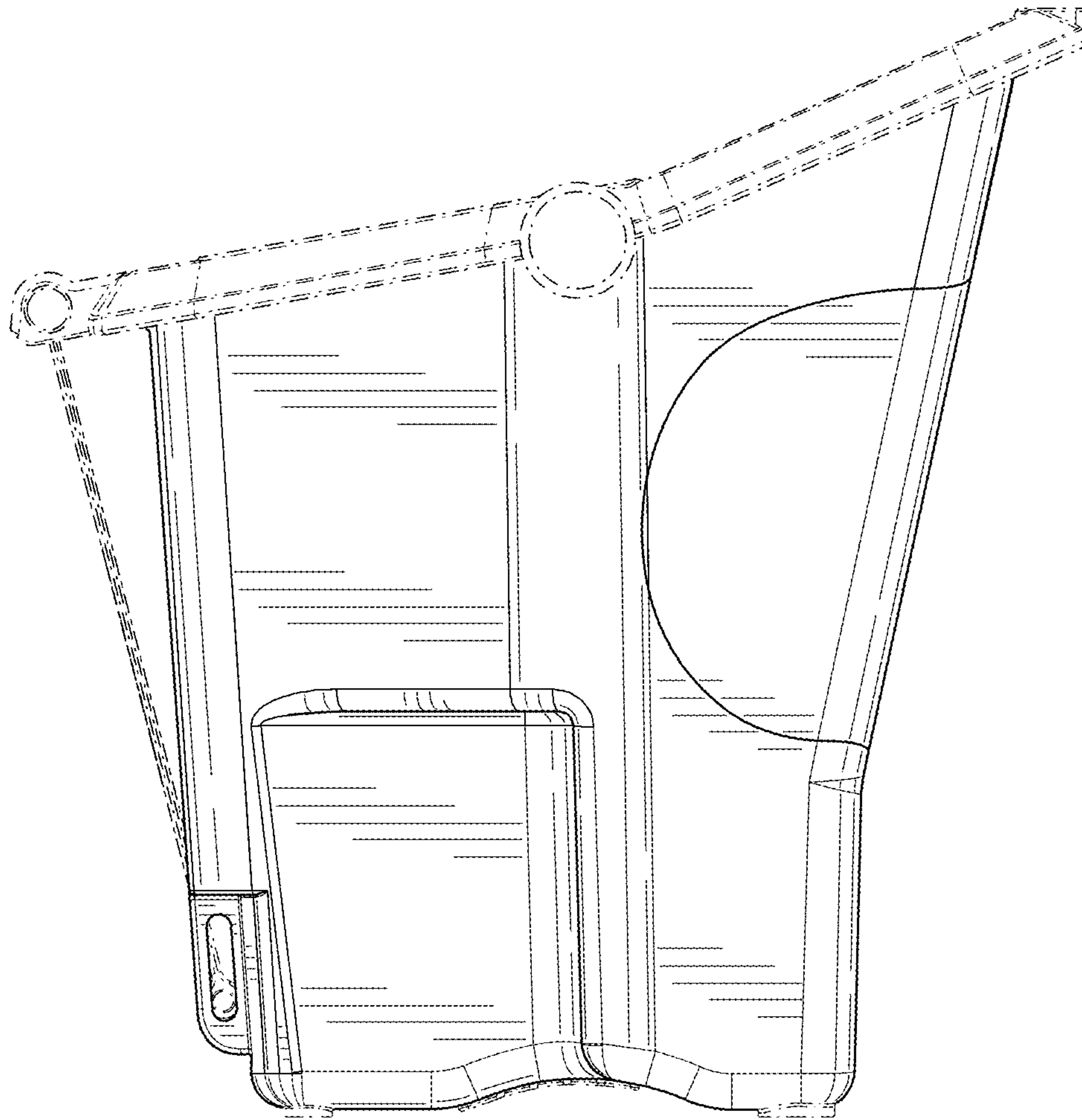


FIG. 5

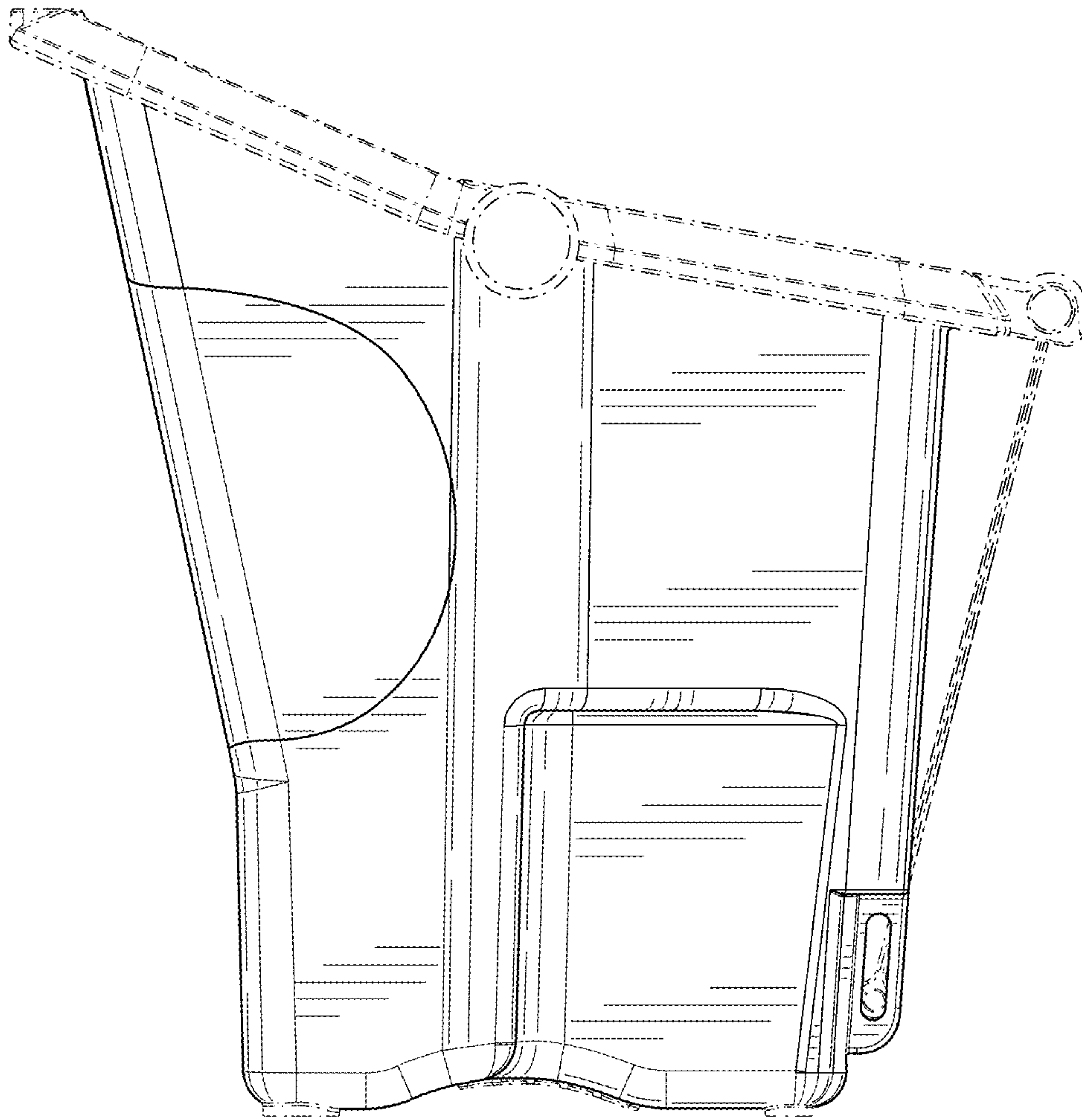


FIG. 6

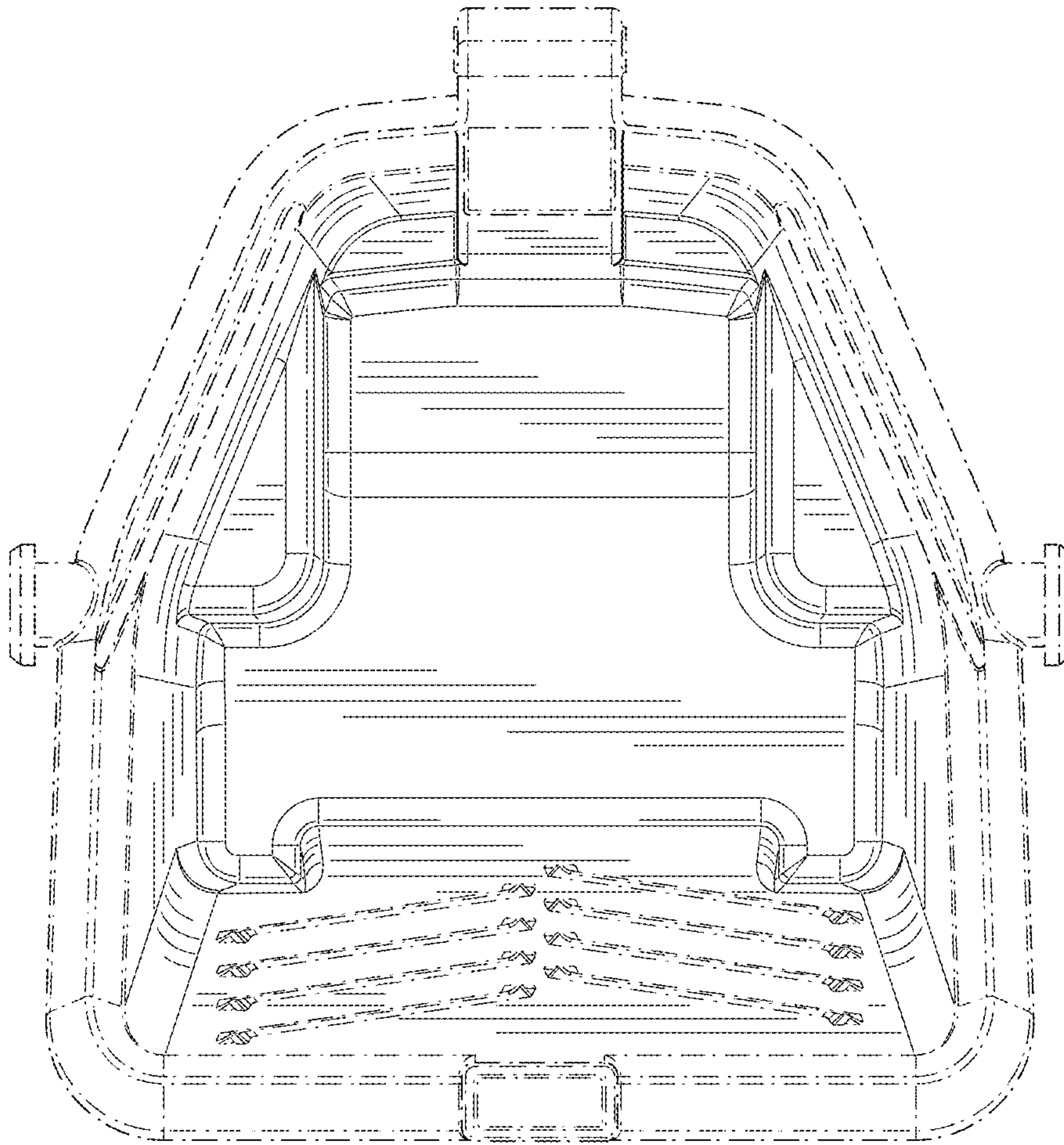


FIG. 7

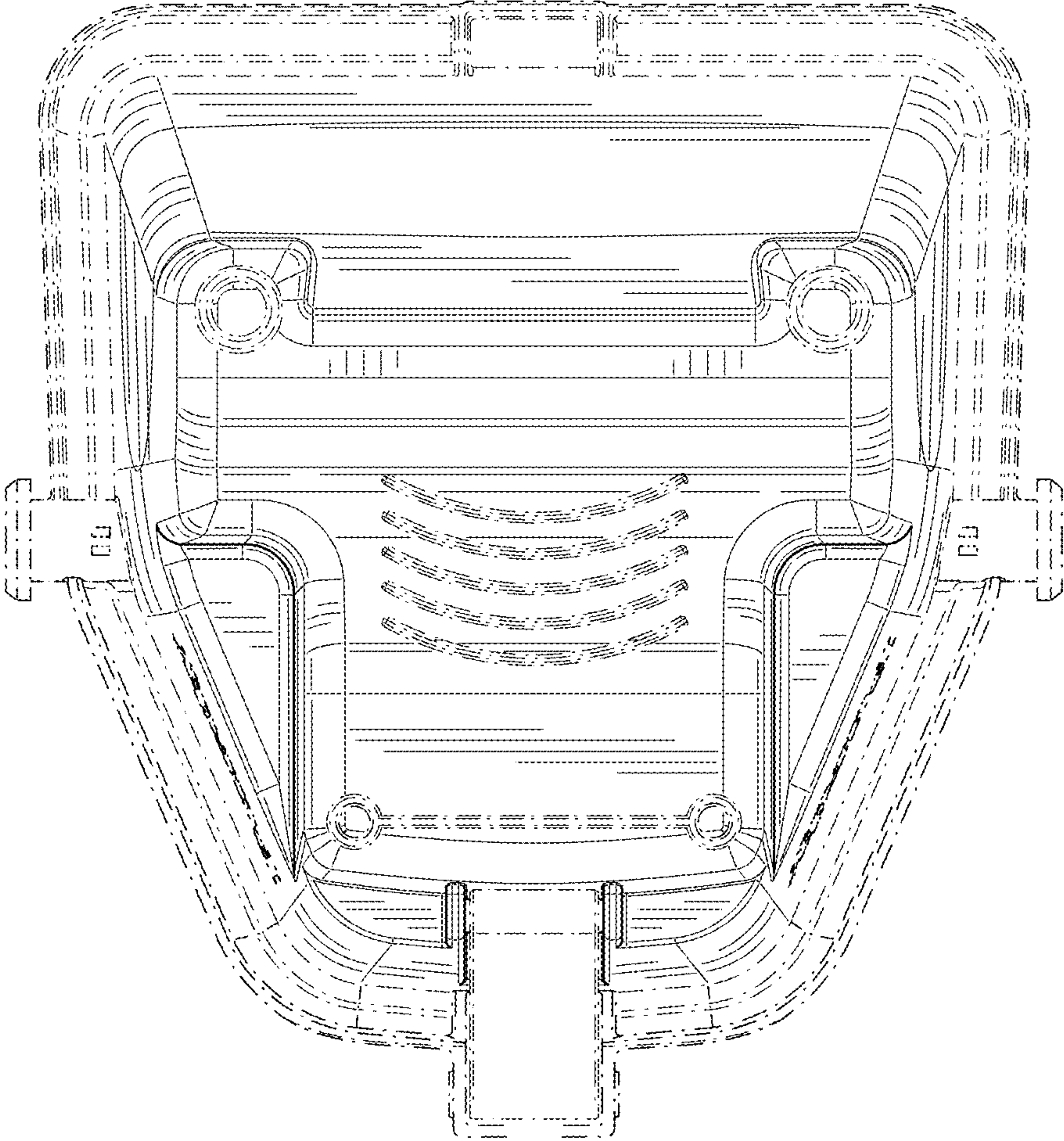


FIG. 8