



US00D973989S

(12) **United States Design Patent** (10) **Patent No.:** **US D973,989 S**
Harrington et al. (45) **Date of Patent:** **** Dec. 27, 2022**

(54) **EXTENDABLE WINDOW CLEANING TOOL**

(71) Applicant: **Unger Marketing International, LLC**,
Bridgeport, CT (US)

(72) Inventors: **William Harrington**, Newtown, CT
(US); **Kai Hirsch**, Cologne (DE);
Cristian Siems, Westphalia (DE)

(73) Assignee: **UNGER MARKETING
INTERNATIONAL, LLC**, Bridgeport,
CT (US)

(**) Term: **15 Years**

(21) Appl. No.: **29/766,694**

(22) Filed: **Jan. 18, 2021**

(51) **LOC (13) Cl.** **07-05**

(52) **U.S. Cl.**
USPC **D32/41**

(58) **Field of Classification Search**
USPC D32/15-16, 25, 32-35, 40-42, 46-52;
D4/114-116; D8/107
CPC . A47L 1/16; A47L 13/46; A47L 13/06; A47L
13/23; A47L 1/00; A47L 13/51; A47J
43/288; A63B 49/08; B25G 1/10; B25G
3/30; A01G 3/06
See application file for complete search history.

(56) **References Cited**

U.S. PATENT DOCUMENTS

2,789,298 A 4/1957 Peterson
D258,908 S 4/1981 Satoh
4,325,157 A 4/1982 Balint et al.

(Continued)

FOREIGN PATENT DOCUMENTS

CN 303965693 * 12/2016
CN 304798729 * 9/2018

(Continued)

OTHER PUBLICATIONS

https://www.buyjanitorialdirect.com/Products/Unger-HydroPower-Ultra-Professional-Kit-55-UHPK4_UN-lbpc-UHPK4.aspx?gclid=Cj0KCQjwyMiTBhDKARIsAAJ-9VvBgYaK7jdpIgySX8_hKztGM1O6NXNN1hqXV7SYNYSPTcUNHrrmfgaAqMjEALw_wcB&onatalp=2546991091&fph=0_11c87ed69eb70e520d7eca519d1a3e27&mxxh=21.*

(Continued)

Primary Examiner — John R Yeh

(74) *Attorney, Agent, or Firm* — Cantor Colburn LLP

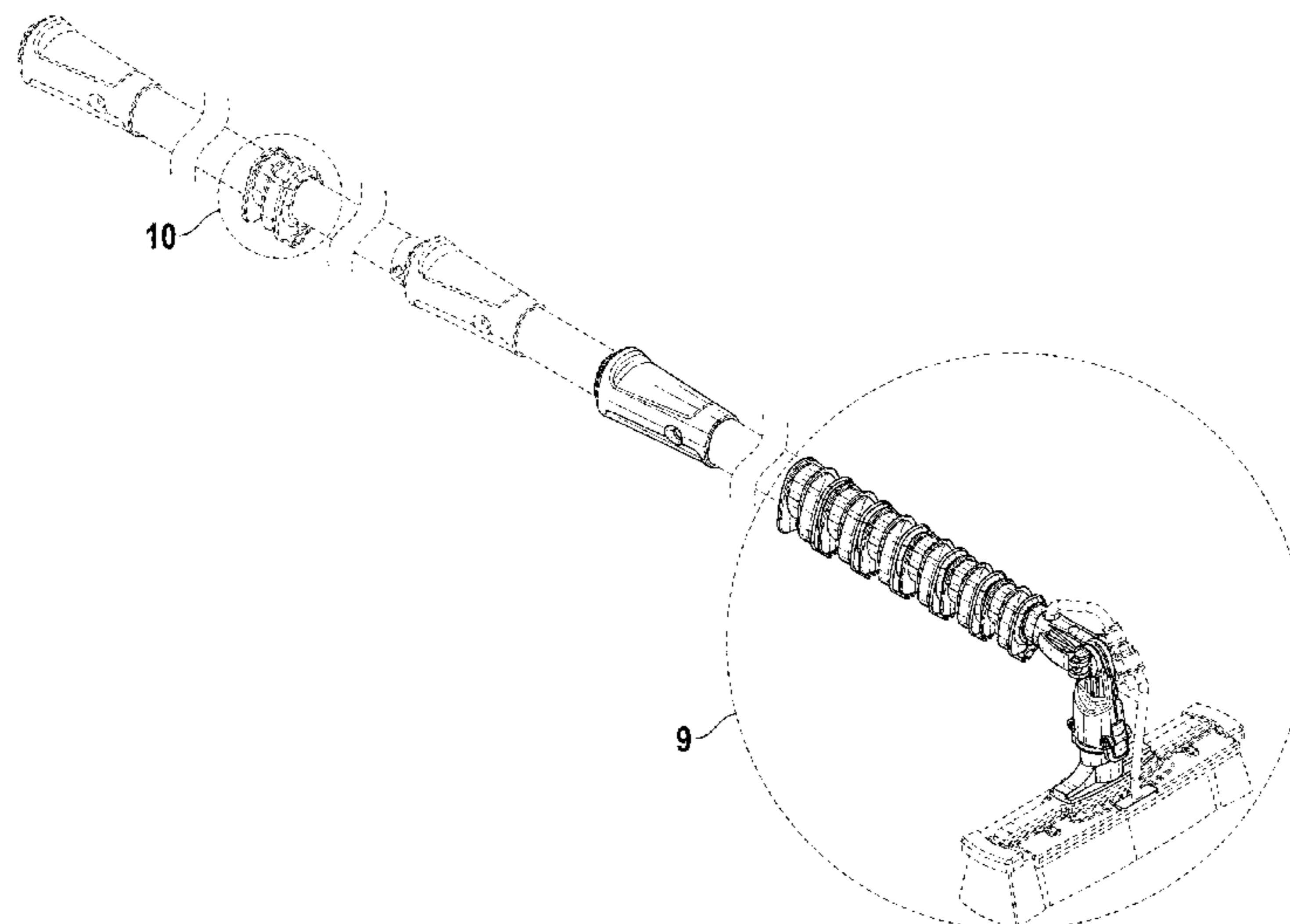
(57) **CLAIM**

The ornamental design for an extendable window cleaning tool, as shown and described.

DESCRIPTION

FIG. 1 is a top, front, left-side perspective view of an extendable window cleaning tool, showing our new design; FIG. 2 is a front elevation view thereof; FIG. 3 is a rear elevation view thereof; FIG. 4 is a right-side elevation view thereof; FIG. 5 is a left-side elevation view thereof; FIG. 6 is a top plan view thereof; FIG. 7 is a bottom plan view thereof; FIG. 8 is an enlarged bottom, rear, right-side perspective view of the front portion of the extendable window cleaning tool; FIG. 9 is an enlarged top, front, left-side perspective view of the front portion taken from the indicated section in FIG. 1; FIG. 10 is an enlarged top, front, left-side perspective view of the portion taken from the indicated section in FIG. 1; and, FIG. 11 is an enlarged rear, bottom, right-side view of the middle portion of the extendable window cleaning tool. The wavy lines shown at portions of the extendable window cleaning tool are intended to show indeterminate length and form no part of the claimed design. All other broken lines depict portions of the extendable window cleaning tool that form no part of the claimed design.

1 Claim, 7 Drawing Sheets



(56)

References Cited

U.S. PATENT DOCUMENTS

4,335,481 A * 6/1982 Slayman A47L 11/4075
15/97.1
D274,273 S * 6/1984 Auerbach D32/35
4,461,057 A 7/1984 Unger
4,517,700 A * 5/1985 Pinto B44D 3/162
16/110.1
4,575,270 A 3/1986 Hammond
D284,897 S 7/1986 Rubio
D287,896 S 1/1987 Genoa et al.
4,653,142 A 3/1987 Upton
D290,553 S * 6/1987 Clivio D4/115
D292,949 S * 12/1987 Vetter D4/118
4,717,180 A 1/1988 Roman
4,720,883 A 1/1988 Sanchez
D300,660 S 4/1989 Harada
D303,026 S 8/1989 Kilakis
D311,189 S 10/1990 Lazzeroni et al.
D316,318 S * 4/1991 Cheang D32/45
D329,948 S * 10/1992 Hanner D21/613
5,213,432 A 5/1993 Chappell
D338,090 S * 8/1993 Kamiyama D32/45
5,316,264 A 5/1994 Newman, Sr. et al.
5,332,090 A 7/1994 Tucker
D350,772 S 9/1994 Figueroa
5,375,938 A 12/1994 Bartlow
D357,098 S 4/1995 Caligiuri
D359,148 S 6/1995 Henrie
D364,948 S * 12/1995 Hunt D32/45
5,487,529 A 1/1996 Newville
5,502,864 A 4/1996 Sorenson
D386,852 S * 11/1997 Viner D32/45
5,702,194 A 12/1997 Hsu
5,823,592 A * 10/1998 Kalidindi G01N 1/02
15/210.1
D404,924 S 2/1999 Schmidt
5,875,509 A 3/1999 Facca
D414,405 S 9/1999 Tompkins
D417,141 S 11/1999 Senninger
5,983,455 A 11/1999 Polzin et al.
6,010,267 A 1/2000 Vito
D424,767 S * 5/2000 Shea D32/49
D433,816 S * 11/2000 Viner D4/114
6,254,153 B1 7/2001 Poppa
6,336,764 B1 1/2002 Liu
6,371,686 B1 4/2002 Wu
6,413,002 B1 7/2002 Delaine, Jr.
6,550,727 B2 4/2003 Butterfield et al.
6,609,847 B1 8/2003 Wang
D496,512 S 9/2004 Treacy
7,001,095 B1 2/2006 Chen
7,008,130 B1 3/2006 Hill
D518,934 S * 4/2006 Williams D32/49
D526,102 S 8/2006 Adams
D531,367 S * 10/2006 Hay D32/44
D547,508 S * 7/2007 Thomas D4/138
7,407,336 B2 8/2008 Giacomo
7,416,361 B1 8/2008 Ostrobrod
D585,616 S * 1/2009 Libman D32/51
7,670,072 B2 3/2010 Tella et al.
7,694,387 B1 4/2010 Huang

7,802,340 B2 9/2010 Knopow et al.
D636,661 S 4/2011 Marmas
8,006,711 B2 8/2011 Pietrzak et al.
D658,053 S 4/2012 Okun
D658,891 S * 5/2012 Green D4/114
D661,981 S 6/2012 Melino, Sr. et al.
8,276,605 B2 10/2012 Heathcote et al.
8,347,443 B1 1/2013 Conrad
D703,406 S 4/2014 Meyer
9,060,470 B1 6/2015 Donaldson
9,241,560 B1 1/2016 Angel
9,561,520 B2 2/2017 Metaxatos et al.
D793,640 S 8/2017 Buckley et al.
9,877,631 B2 1/2018 Patterson et al.
D821,188 S 6/2018 Smullen
D838,925 S 1/2019 Qiu et al.
D850,899 S 6/2019 Gridley
10,352,344 B2 7/2019 Muirhead
D906,096 S 12/2020 Larouche
D917,121 S 4/2021 Enning et al.
D923,268 S 6/2021 Reed et al.
2005/0123344 A1 * 6/2005 Bensussan F16B 7/042
403/109.2
2006/0230581 A1 10/2006 Richardson et al.
2006/0282988 A1 12/2006 Lin
2008/0109975 A1 5/2008 Park et al.
2011/0056035 A1 3/2011 Burbacki
2011/0164919 A1 * 7/2011 Bensussan B25G 3/30
403/374.1
2013/0125325 A1 5/2013 Brancovsky
2016/0113375 A1 4/2016 Lim

FOREIGN PATENT DOCUMENTS

CN 208221272 U 12/2018
EP 3148391 B1 8/2018
GB 2549812 B 4/2018
GB 2557661 A 6/2018
JP D1471370 * 6/2013
JP D1706406 12/2020
WO 2018051141 A1 3/2018

OTHER PUBLICATIONS

https://www.cleaningspot.co.uk/water-fed-equipment/water-fed-poles/fibre-glass/spot-lite-v2-complete-glass-fibre-water-fed-pole#/3667-size-4ft/3952-connector-21ftf06_rectus_21_type.*
Aubret Distribution, "Aubriject systeme, Etudie et teste par des professionnels du nettoyage", concepteur fabricant de systemes innovants, 2015, 24 pages.
Exel Composites Plc, "Exel Extender Telescopic System" Brochure, 2011, 2 pages.
Exel Composites, "Tool Handles and Telescopes" Brochure, 2012, 12 pages.
Godfrey Systems International, Inc. Manufacturer & Distributer of Aerospace Lighting, "Telescopic Systems, Telescopic Handles, Telescopic Products : G. S. I. Inc." available at: www.gsilight.com/EXELTELE.html, Updated Feb. 3, 2013, Accessed Jun. 19, 2020, 4 pages.

* cited by examiner

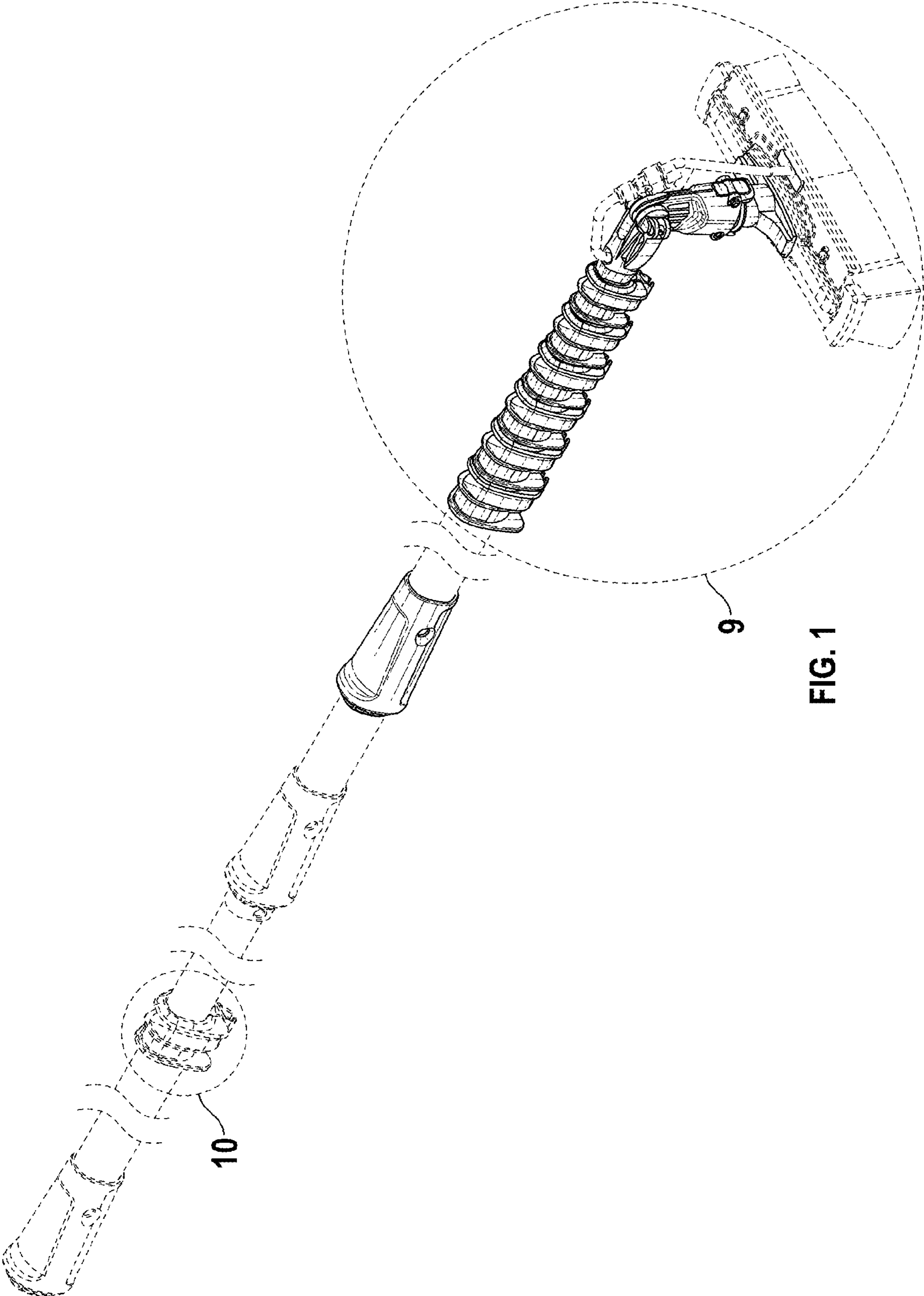


FIG. 1

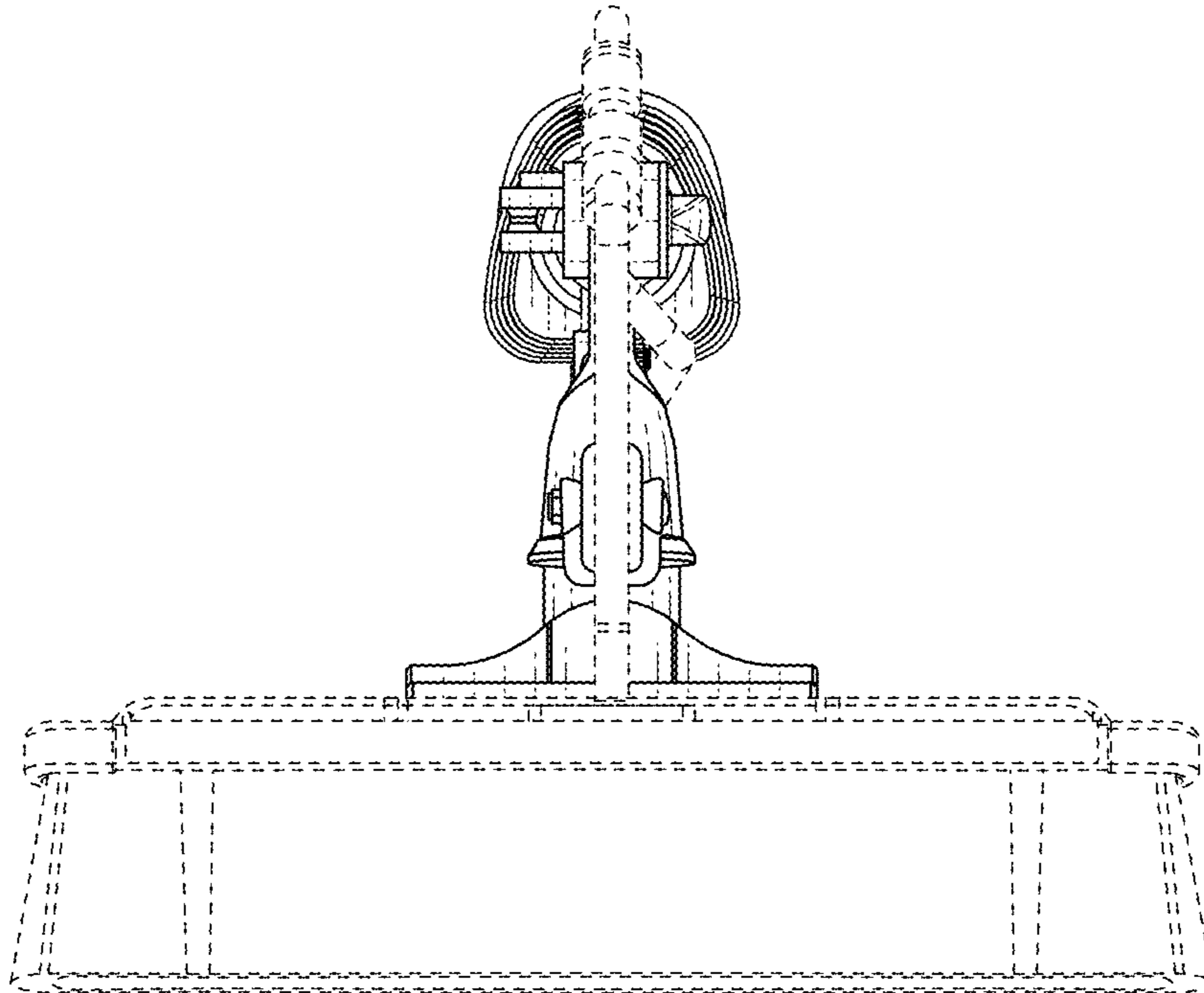


FIG. 2

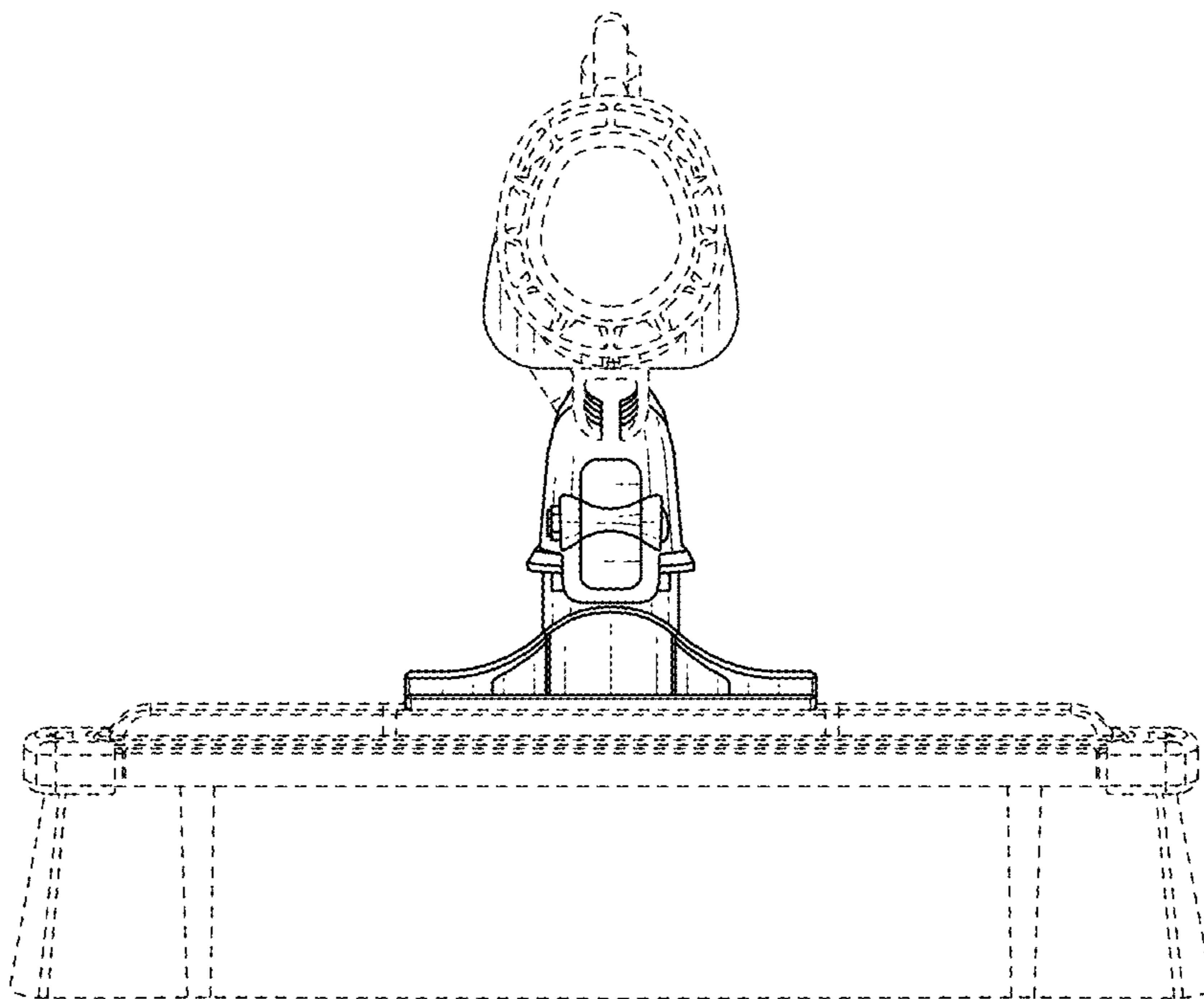


FIG. 3

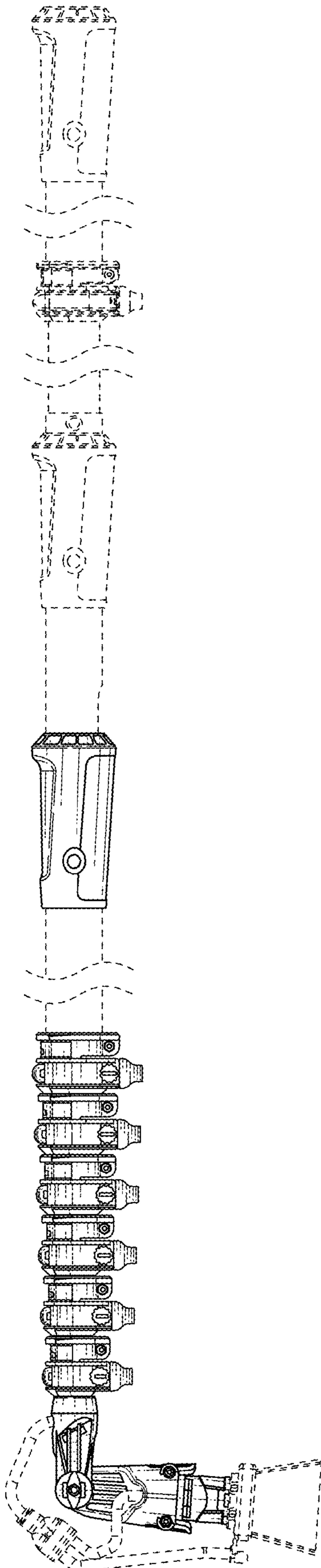


FIG. 4

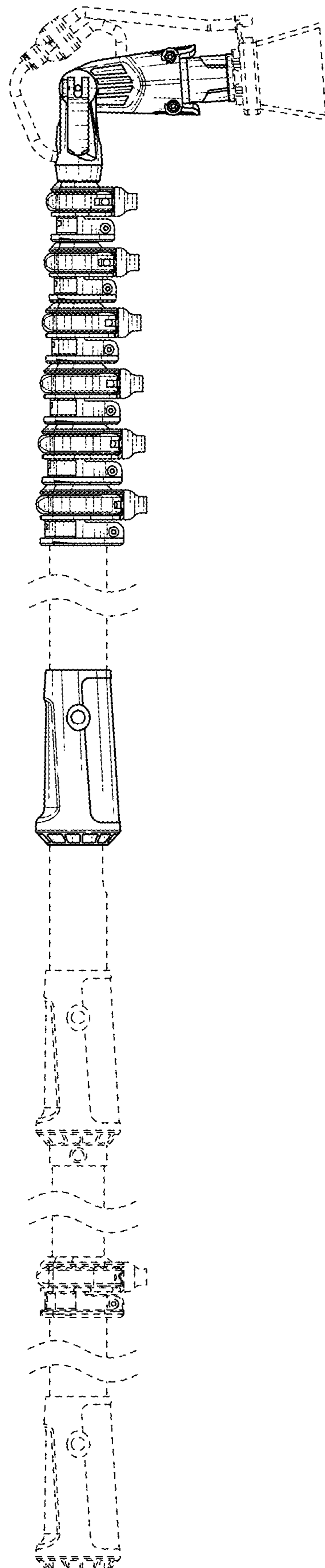


FIG. 5

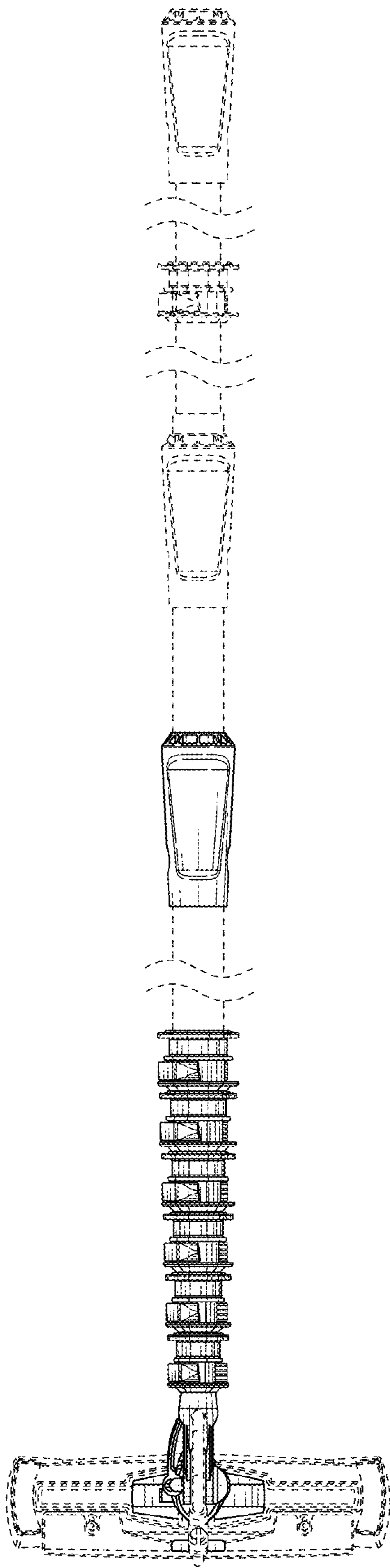


FIG. 6

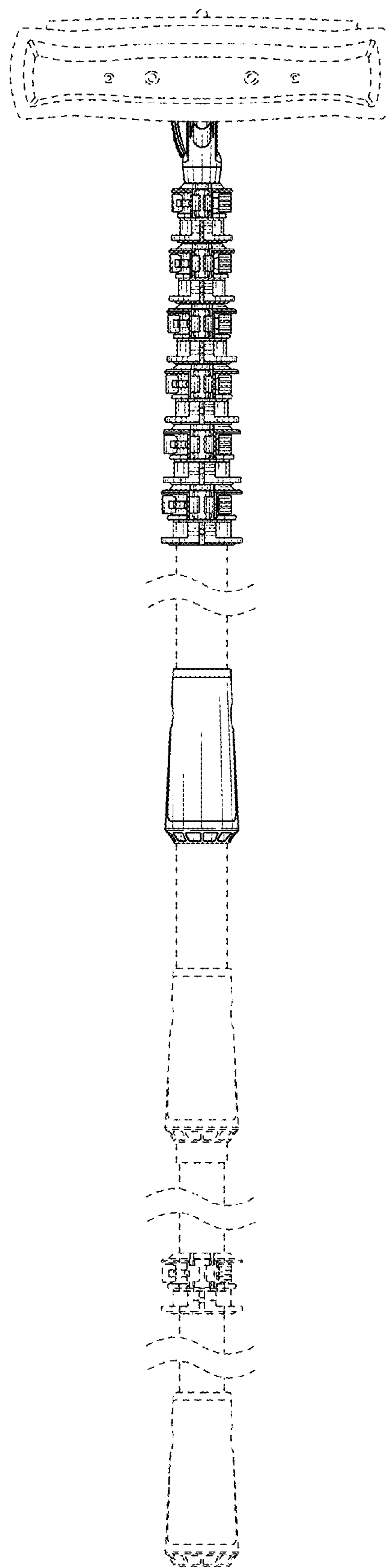


FIG. 7

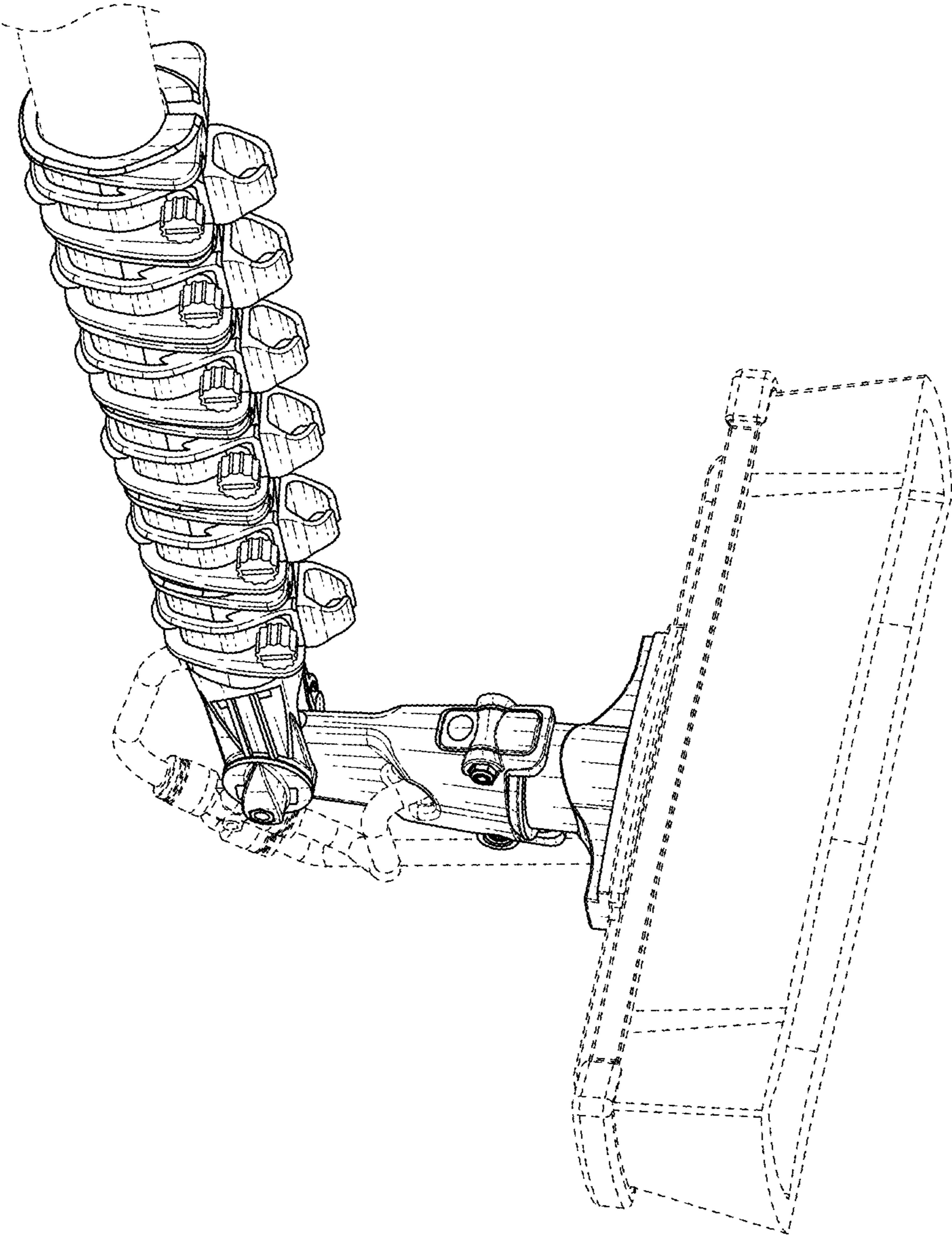


FIG. 8

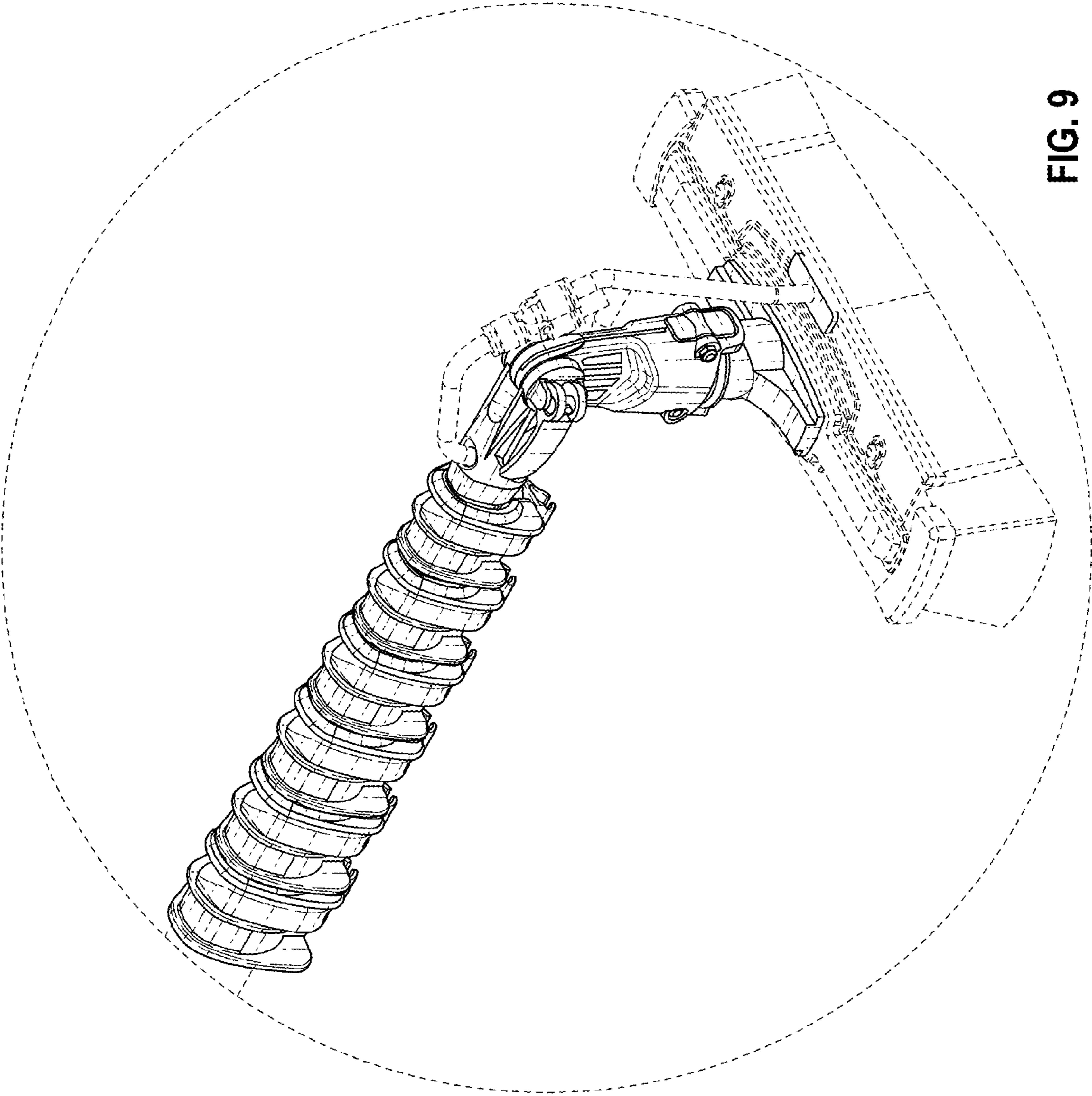


FIG. 9

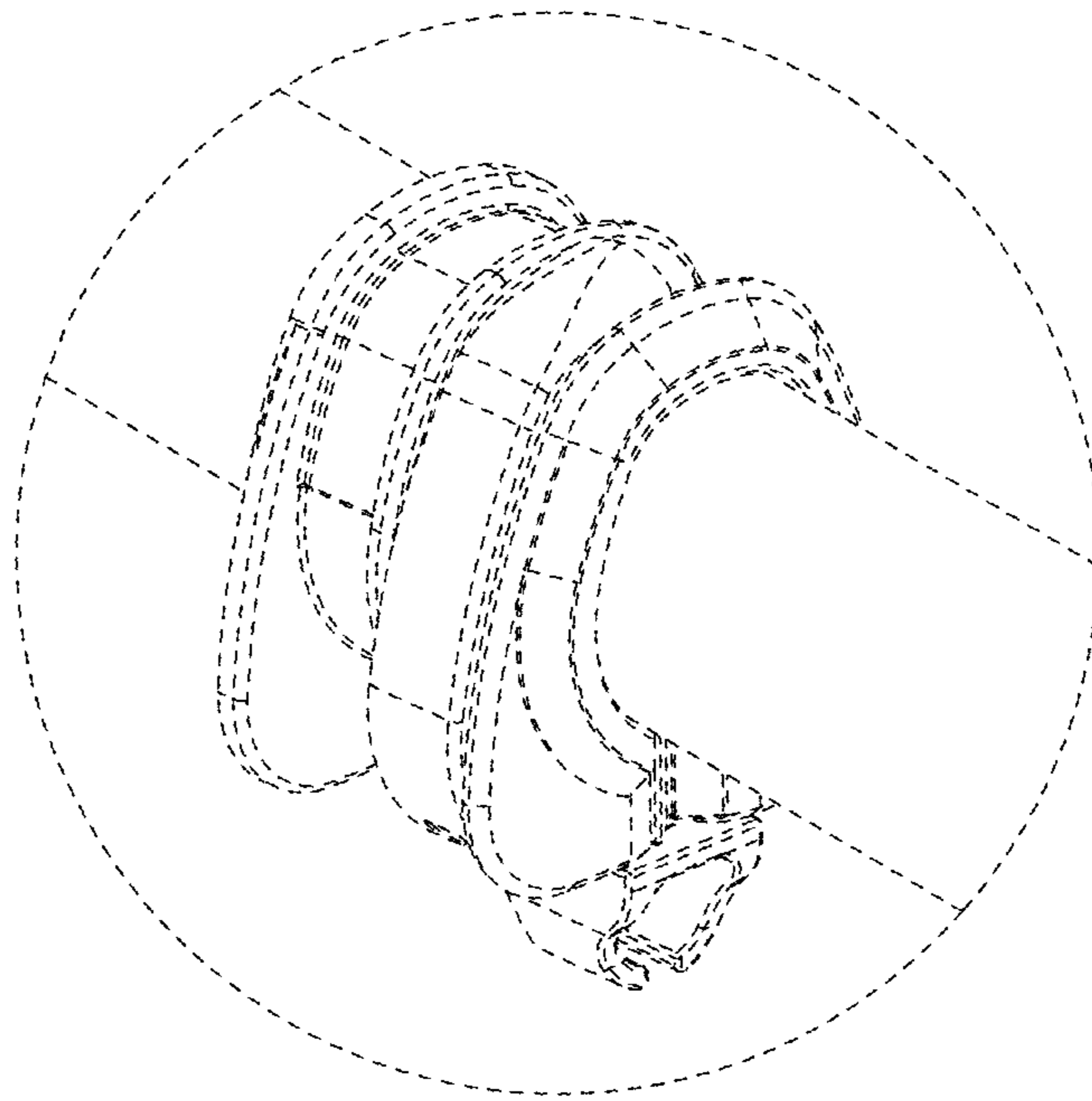


FIG. 10

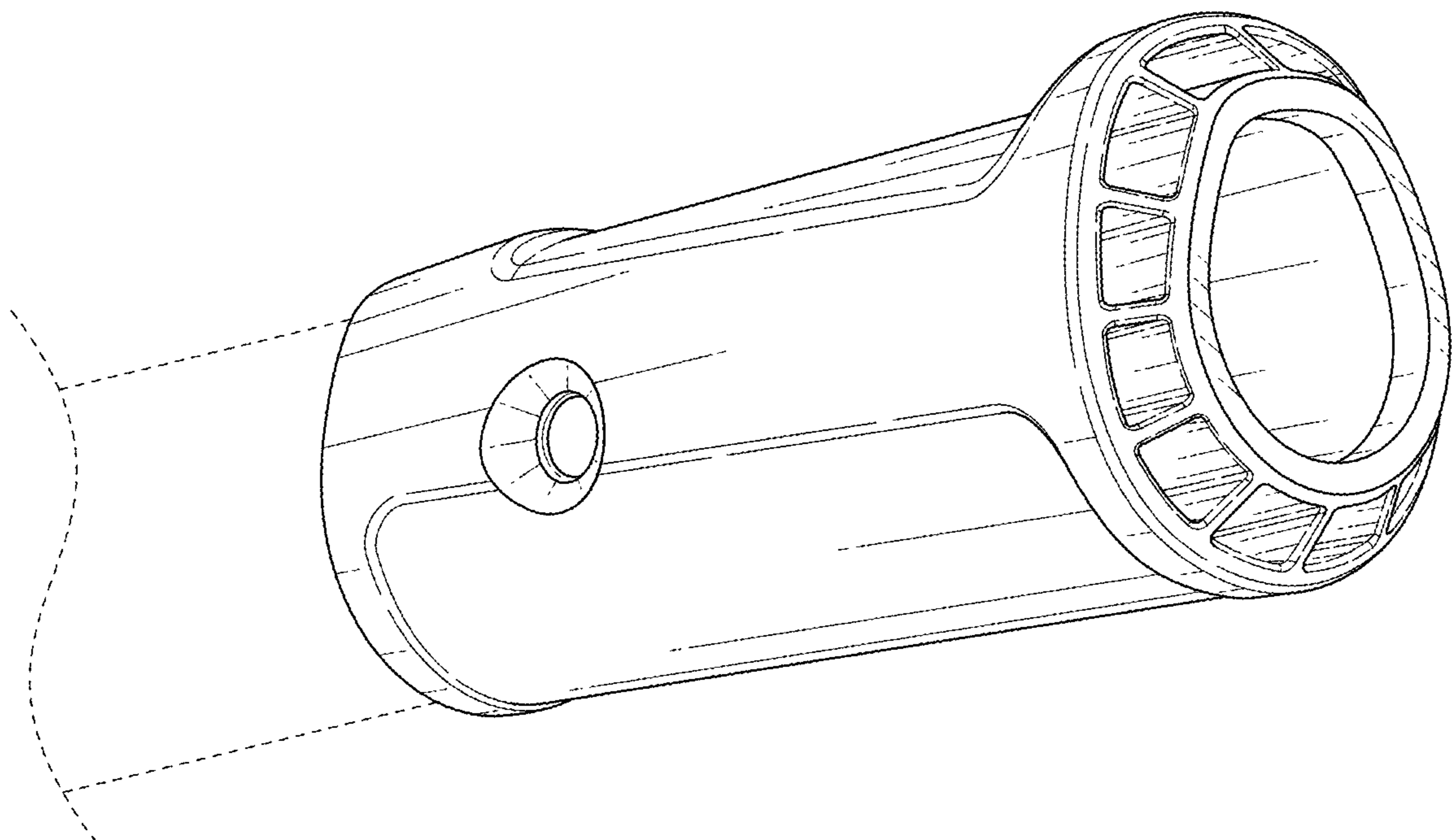


FIG. 11