



US00D973988S

(12) **United States Design Patent** (10) **Patent No.:** **US D973,988 S**
Li (45) **Date of Patent:** **** Dec. 27, 2022**

(54) **VACUUM CLEANER**
(71) Applicant: **SHENZHEN DIMENGYUAN TECHNOLOGY CO., LTD.**, Shenzhen (CN)
(72) Inventor: **Zhenggang Li**, Shenzhen (CN)
(**) Term: **15 Years**
(21) Appl. No.: **29/755,627**
(22) Filed: **Oct. 21, 2020**
(51) **LOC (13) Cl.** **15-05**
(52) **U.S. Cl.**
USPC **D32/21**
(58) **Field of Classification Search**
USPC D8/70; D15/199; D16/230; D32/1, 21, D32/31
CPC A47L 9/009; A47L 2201/00; A47L 13/10; A47L 13/00; A47L 11/32; A47L 11/24; A47L 11/00; A47L 11/02
See application file for complete search history.

D743,645 S * 11/2015 Lee D32/21
D871,694 S * 12/2019 Casini D32/21
D874,079 S * 1/2020 Ebrahimi Afrouzi D32/21
D902,508 S * 11/2020 Ebrahimi Afrouzi D32/21
D902,509 S * 11/2020 Ebrahimi Afrouzi D32/21
D920,493 S * 5/2021 Alexander D23/366
2020/0397207 A1 * 12/2020 Shin A47L 11/4061
2021/0068524 A1 * 3/2021 VanTongeren A47L 9/0472
2021/0093146 A1 * 4/2021 Pastore A47L 9/2889
2021/0141387 A1 * 5/2021 Zhou A47L 11/4008

* cited by examiner

Primary Examiner — Kevin K Rudzinski
Assistant Examiner — Richard E Yenchesky

(57) **CLAIM**

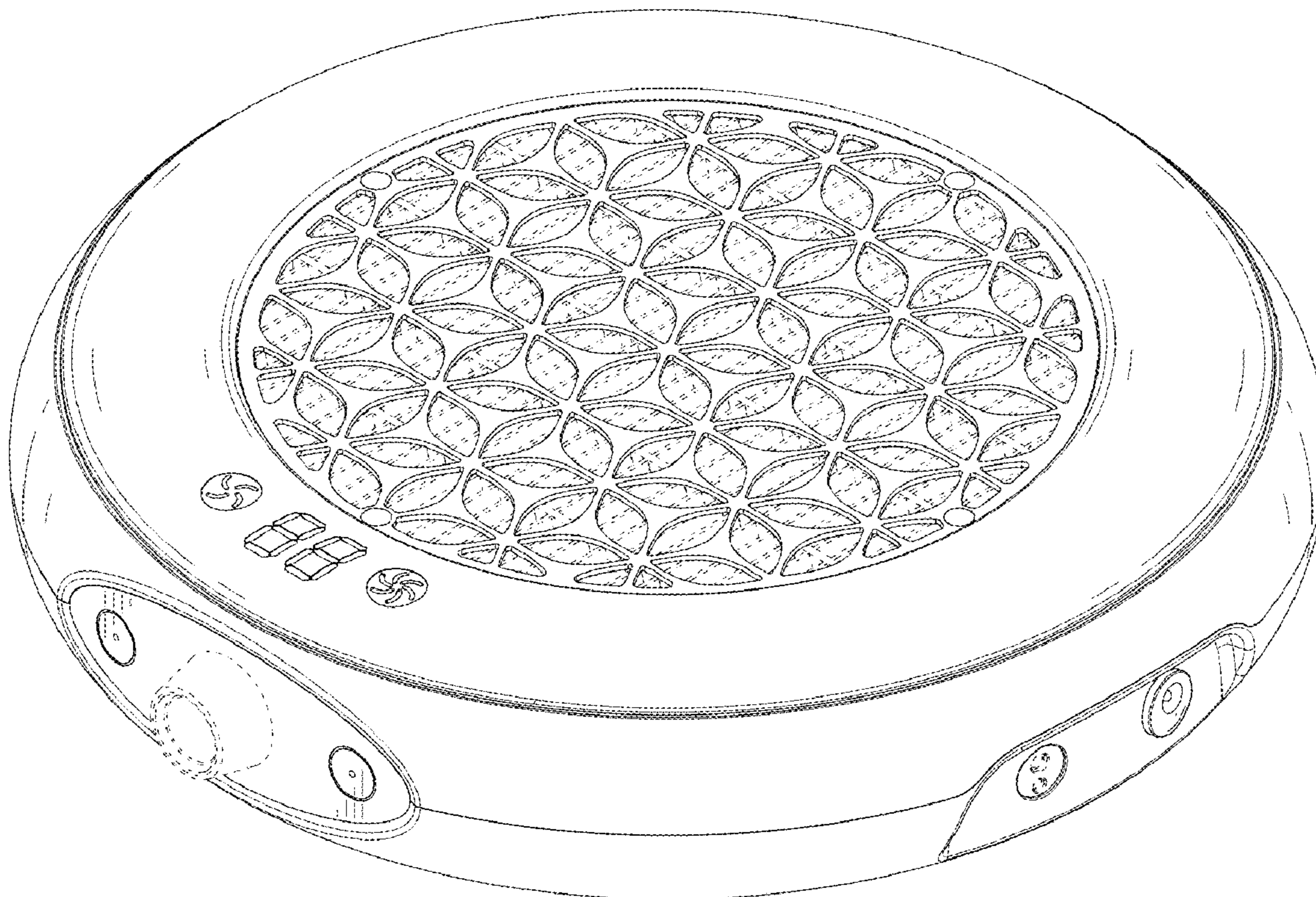
The ornamental design for a vacuum cleaner, as shown and described.

DESCRIPTION

FIG. 1 is a front, right side, top perspective view of a vacuum cleaner showing my new design; FIG. 2 is a rear, right side, bottom perspective view thereof; FIG. 3 is a front elevational view thereof; FIG. 4 is a rear elevational view thereof; FIG. 5 is a right side elevational view thereof; FIG. 6 is a left side elevational view thereof; FIG. 7 is a top plan view thereof; and, FIG. 8 is a bottom plan view thereof. The broken lines depict portions of the vacuum cleaner that form no part of the claimed design.

1 Claim, 8 Drawing Sheets

(56) **References Cited**
U.S. PATENT DOCUMENTS
D596,815 S * 7/2009 Baek D32/21
D660,530 S * 5/2012 Geringer D32/21
8,505,158 B2 * 8/2013 Han A47L 7/02
15/52.1
D703,397 S * 4/2014 Sungkyung D32/21
D714,002 S * 9/2014 Casini D32/21



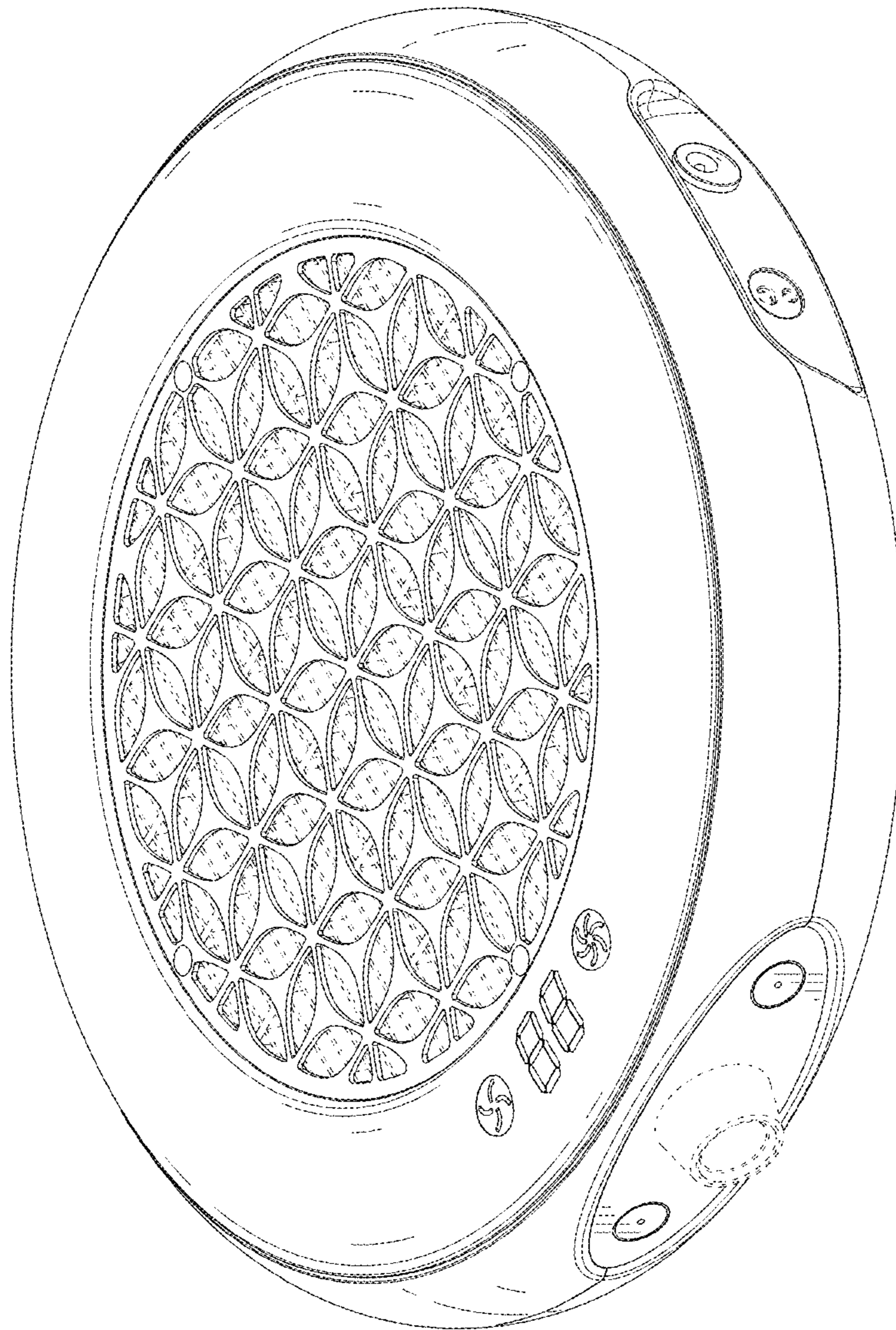


FIG. 1

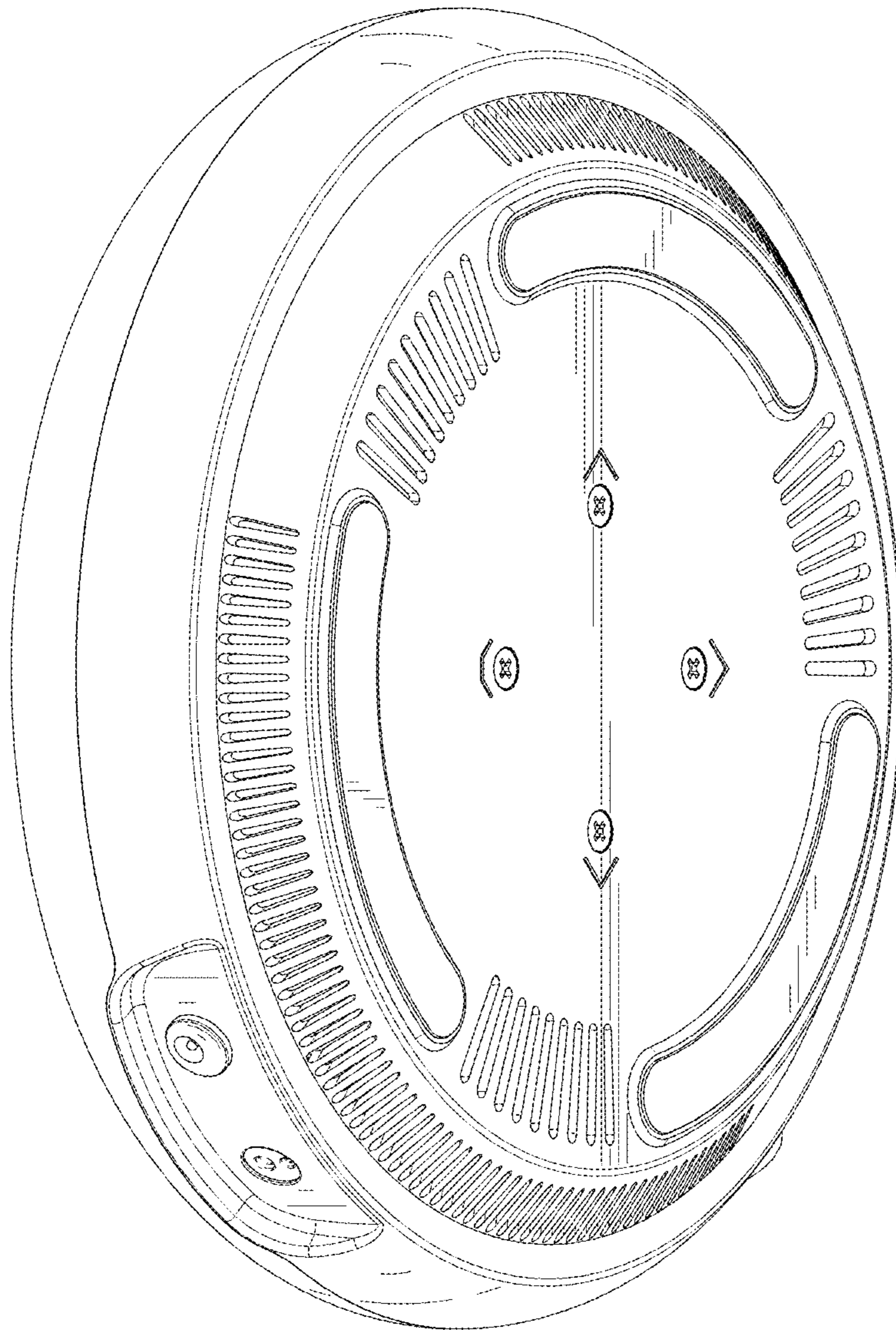


FIG. 2

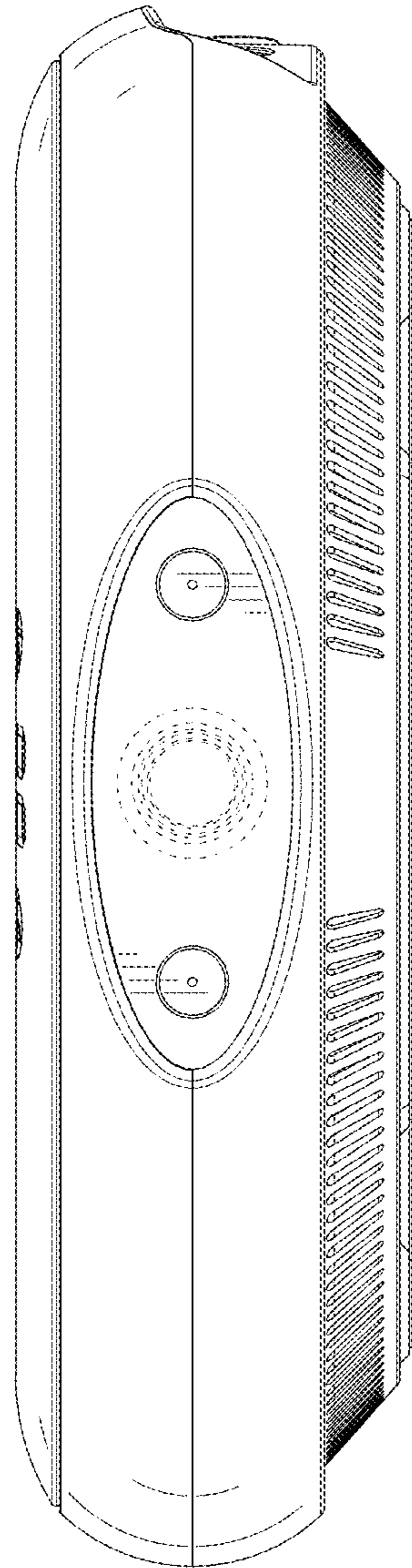


FIG.3

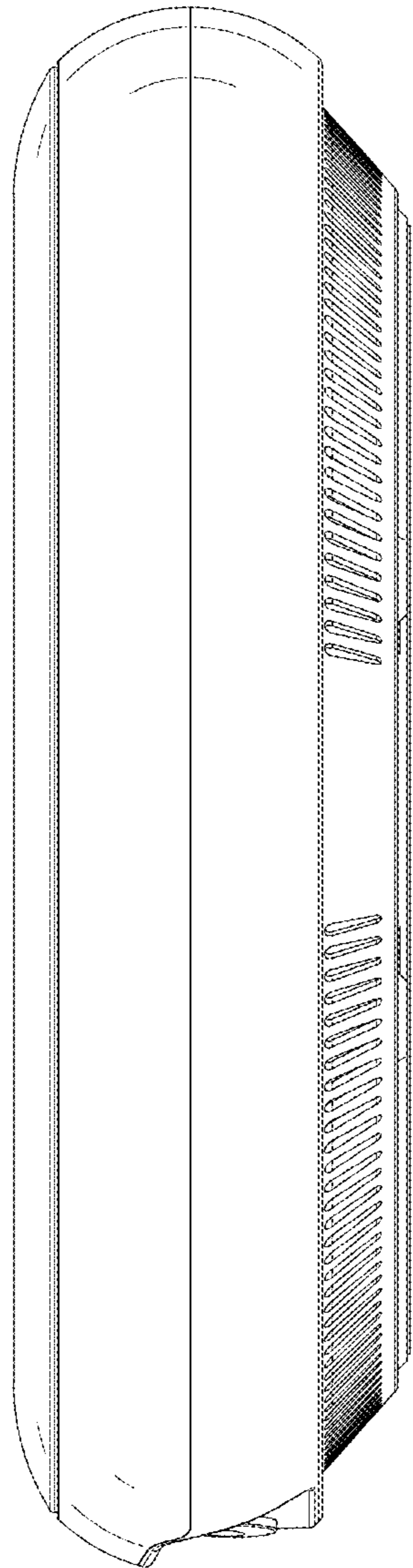


FIG.4

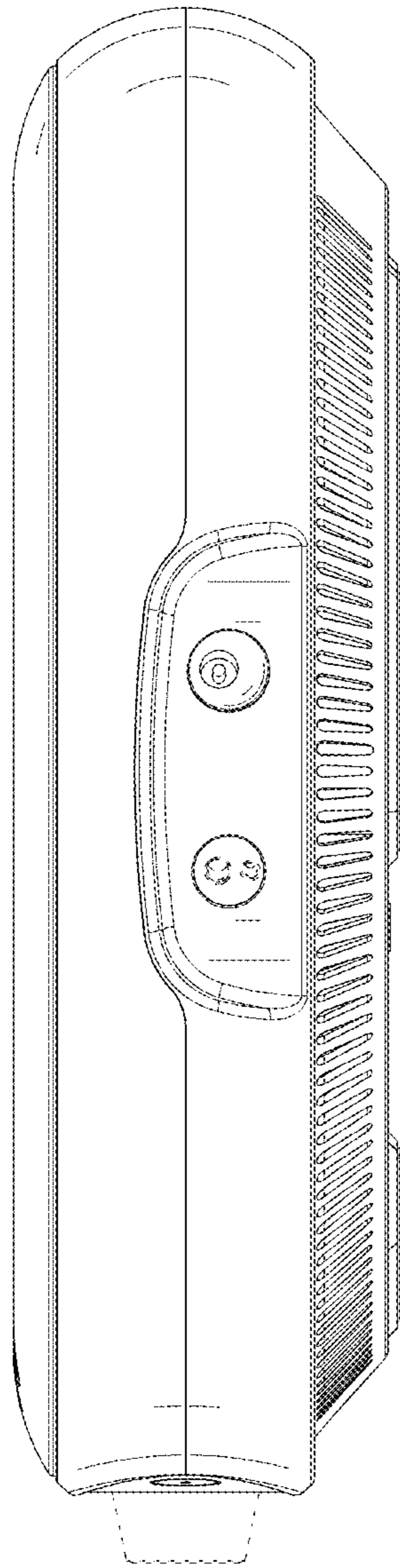


FIG.5

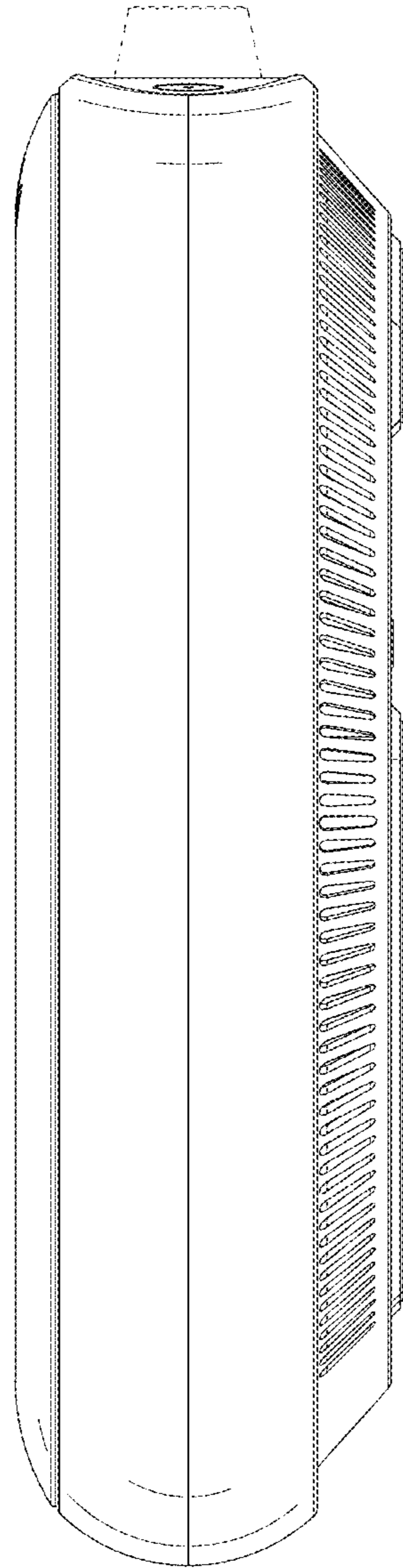


FIG.6

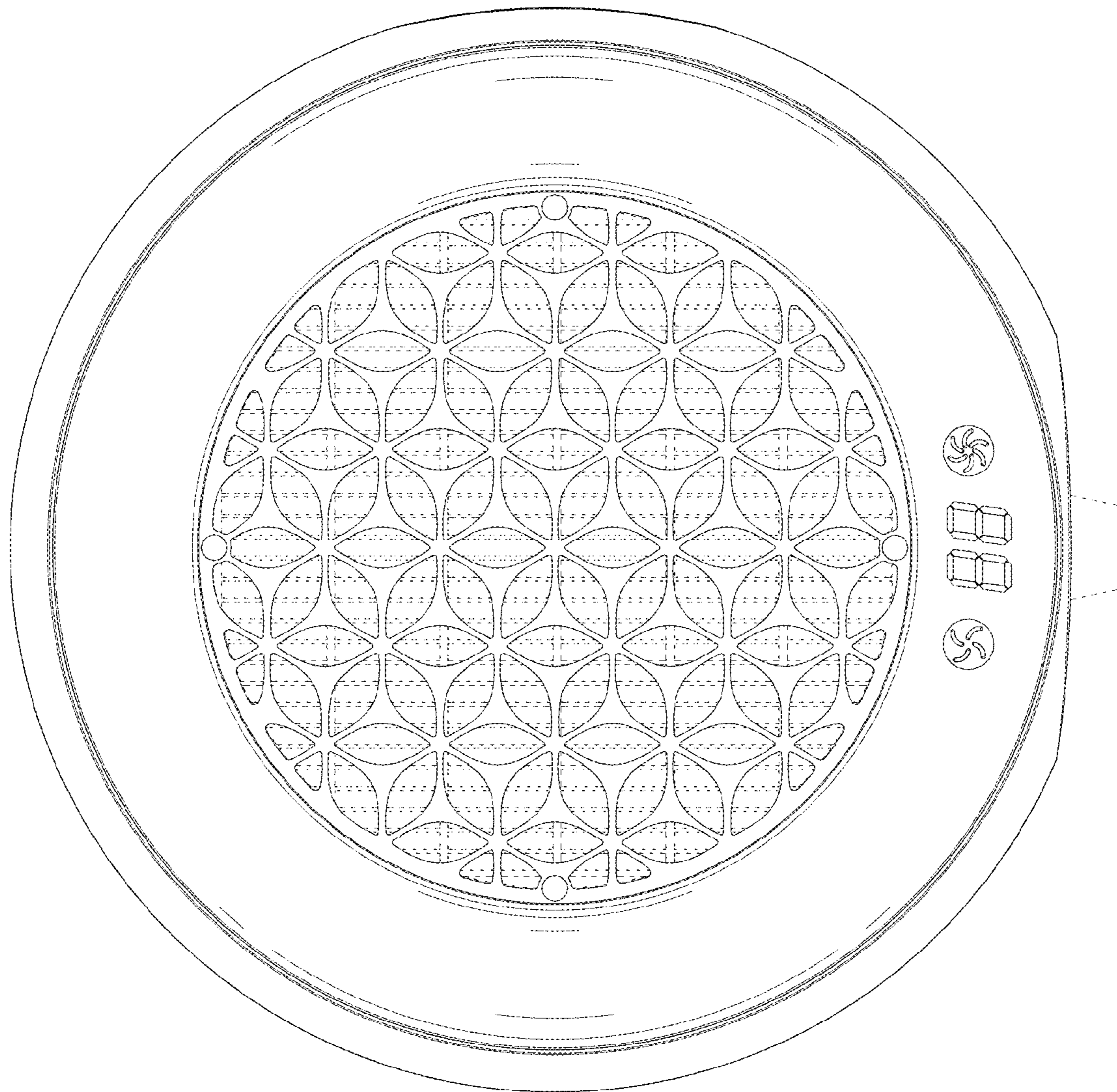


FIG. 7

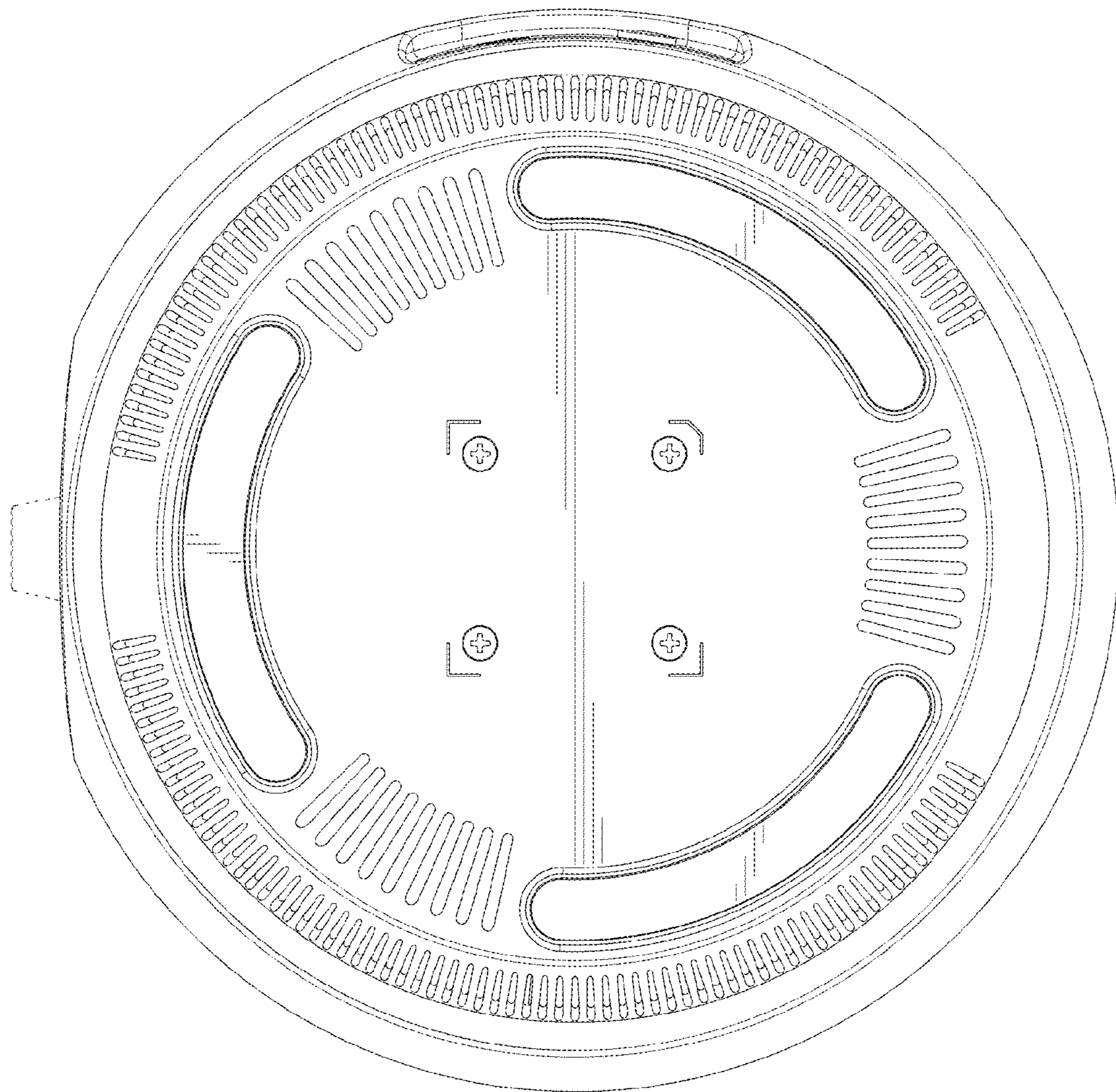


FIG. 8