



US00D973987S

(12) **United States Design Patent** (10) **Patent No.:** **US D973,987 S**
Ma (45) **Date of Patent:** **** Dec. 27, 2022**

(54) **HANDHELD VACUUM CLEANER**
(71) Applicant: **Shenzhen Shermon Technology Co., Limited**, Shenzhen (CN)
(72) Inventor: **Chaoliang Ma**, Shenzhen (CN)
(73) Assignee: **SHENZHEN SHERMON TECHNOLOGY CO., LIMITED**, Shenzhen (CN)
(**) Term: **15 Years**
(21) Appl. No.: **29/769,716**
(22) Filed: **Feb. 8, 2021**
(51) **LOC (13) Cl.** **15-05**
(52) **U.S. Cl.**
USPC **D32/18; D32/22**
(58) **Field of Classification Search**
USPC D32/17-18, 21-22, 31; D21/526; D30/158
CPC ... A47L 5/24; A47L 5/28; A47L 5/225; A47L 9/2884; A47L 9/1683; A47L 9/2857; A47L 9/2842; A47L 9/322; A47L 9/165; A47L 9/1666; A47L 9/106; A47L 9/127; A47L 9/1691; A47L 9/102; A47L 9/32; A47L 9/2873; A47L 9/327; A47L 11/30; A47L 11/4005; A47L 11/4008; A47L 2201/02; A47L 2201/022; B01D 2279/55; B01D 50/20; B04C 5/185; B08B 5/04; B23Q 11/0046; B23Q 11/0071; B60S 1/64; E04H 4/1636; G05D 2201/0215; Y10S 55/03; Y10S 292/63
See application file for complete search history.

(56) **References Cited**
U.S. PATENT DOCUMENTS
D861,268 S * 9/2019 Meyer D32/22
D868,400 S * 11/2019 Niedzwecki D32/18
D901,109 S * 11/2020 Chen D32/18
D907,315 S * 1/2021 Tokoi D32/22

D912,344 S * 3/2021 Choi D32/22
D922,010 S * 6/2021 Lin D32/18
D924,503 S * 7/2021 Xu D32/18
D932,122 S * 9/2021 Xu D32/18
D933,320 S * 10/2021 Bloemendaal D32/18
D939,793 S * 12/2021 Liu D32/18
2010/0229325 A1 * 9/2010 Conrad A47L 5/24
15/347

(Continued)

FOREIGN PATENT DOCUMENTS

CN 304651523 * 5/2018
CN 305131641 * 4/2019

(Continued)

OTHER PUBLICATIONS

Eureka Stylus Lightweight Cordless Vacuum Cleaner, available in Amazon.ca, date first available May 20, 2020 [online], [site visited Jun. 2, 2021], Available from the internet URL: https://www.amazon.ca/dp/B0867GC2SB/ref=cm_sw_em_r_mt_imm_awdb_M3QMDJX6XV941V9HZT3W (Year: 2020).*

(Continued)

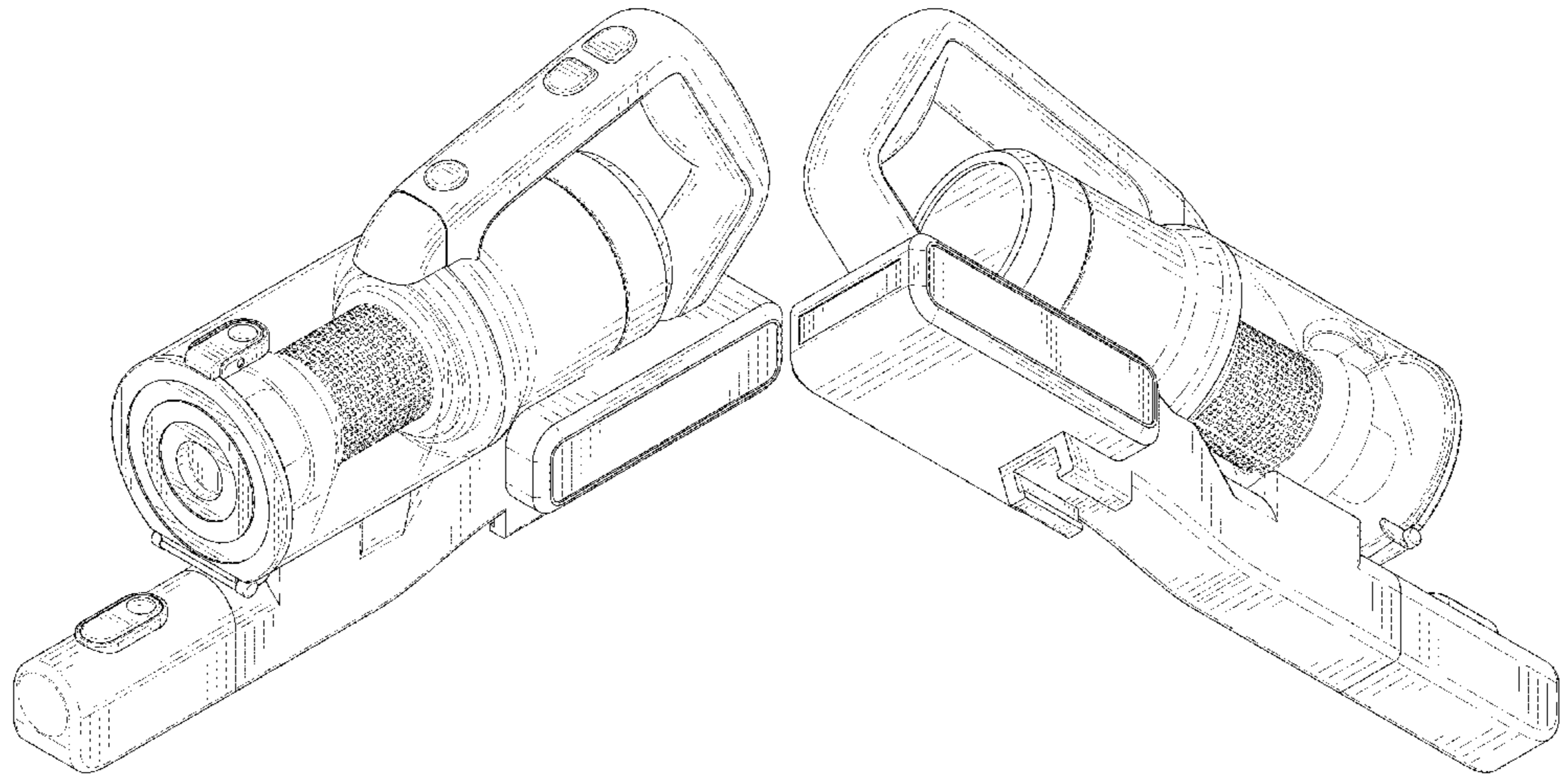
Primary Examiner — Jennifer Rivard
Assistant Examiner — Jennylou M Binas

(57) **CLAIM**
The ornamental design for a handheld vacuum cleaner, as shown and described.

DESCRIPTION

FIG. 1 is a perspective view of a handheld vacuum cleaner showing my new design;
FIG. 2 is another perspective view thereof;
FIG. 3 is a front elevational view thereof;
FIG. 4 is a rear elevational view thereof;
FIG. 5 is a left side elevational view thereof;
FIG. 6 is a right side elevational view thereof;
FIG. 7 is a top plan view thereof; and,
FIG. 8 is a bottom plan view thereof.
The broken lines in the drawings are for the purpose of illustrating portions of the handheld vacuum cleaner that form no part of the claimed design.

1 Claim, 8 Drawing Sheets



(56)

References Cited

U.S. PATENT DOCUMENTS

2018/0289227 A1* 10/2018 Takano A47L 5/24
 2019/0208974 A1* 7/2019 Oka A47L 9/1666
 2021/0045605 A1* 2/2021 Conrad A47L 9/16

FOREIGN PATENT DOCUMENTS

| | | | |
|----|-----------|---|--------|
| CN | 305928716 | * | 7/2020 |
| GB | 6162926 | * | 9/2021 |
| JP | D1567160 | * | 1/2017 |
| JP | D1567165 | * | 1/2017 |
| JP | D1655467 | * | 3/2020 |
| JP | D1668019 | * | 9/2020 |
| JP | D1681729 | * | 3/2021 |
| JP | D1693981 | * | 8/2021 |

OTHER PUBLICATIONS

8 Best Stick Vacuums of 2021, available in [goodhousekeeping.com](https://www.goodhousekeeping.com), announced Nov. 18, 2020 [online], [site visited Feb. 25, 2022], Available from the internet URL: <https://www.goodhousekeeping.com/appliances/vacuum-cleaner-reviews/g1222/best-stick-vacuums/> (Year: 2020).*

Eureka Rapid Clean, available in Amazon.com, customer review oldest date Feb. 16, 2019 [online], [site visited Feb. 22, 2021], Available from the internet URL: https://www.amazon.com/dp/B07SMJJTL7/ref=cm_sw_r_em_apa_fabc_6E27GFNGZ3AAWYD6394?_encoding=UTF8&psc=1 (Year: 2019).*

Iris Ohyama IC-SLDCP10-R Cordless, available in Amazon.co.jp, date first available Feb. 26, 2020 [online], [site visited Feb. 22, 2021], Available from the internet URL: https://www.amazon.co.jp/dp/B0856B39L9/ref=cm_sw_em_r_mt_imm_awdb_NRDC6NE4VDN965J2F08R (Year: 2020).*

Midea Cordless Vacuum Cleaner MCS1825GB Pro, available in Amazon.com, date first available Mar. 9, 2021 [online], [site visited Oct. 22, 2021], Available from the internet URL: https://www.amazon.co.uk/Midea-MCS1825GB-Pro-Lightweight-Headlights/dp/B08YFSYRSZ/ref=psdc_770072031_t2_B08YFQ1R6X (Year: 2021).*

P7 Flex Handheld Cordless Vacuum Cleaner, available in [ifworld-designguide.com](https://www.ifworld-designguide.com), launched Year 2020 [online], [site visited Oct. 22, 2021], Internet URL: <https://ifworlddesignguide.com/entry/317765-p7-flex-handheld-cordless-vacuum-cleaner> (Year: 2020).*

* cited by examiner

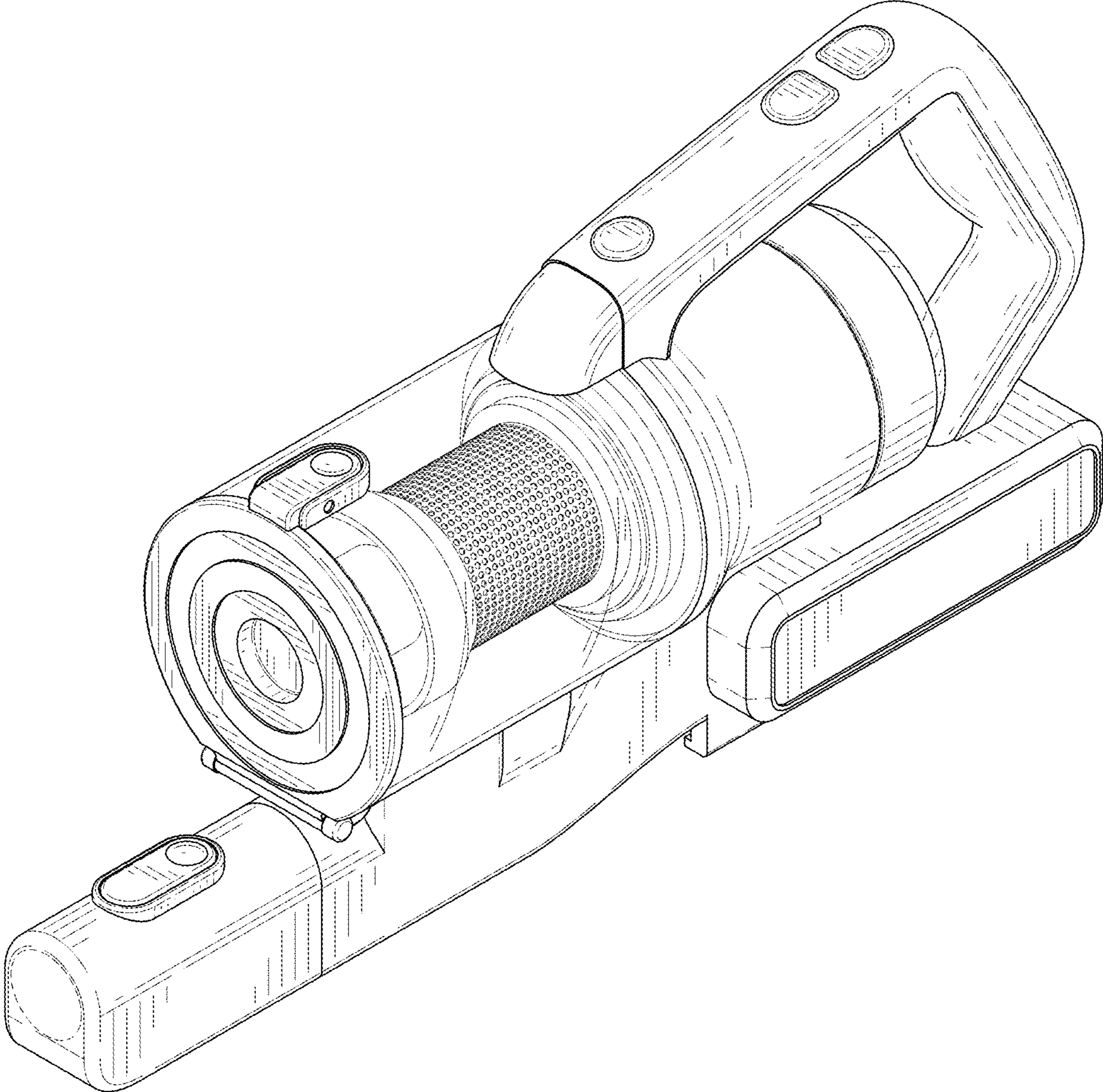


FIG. 1

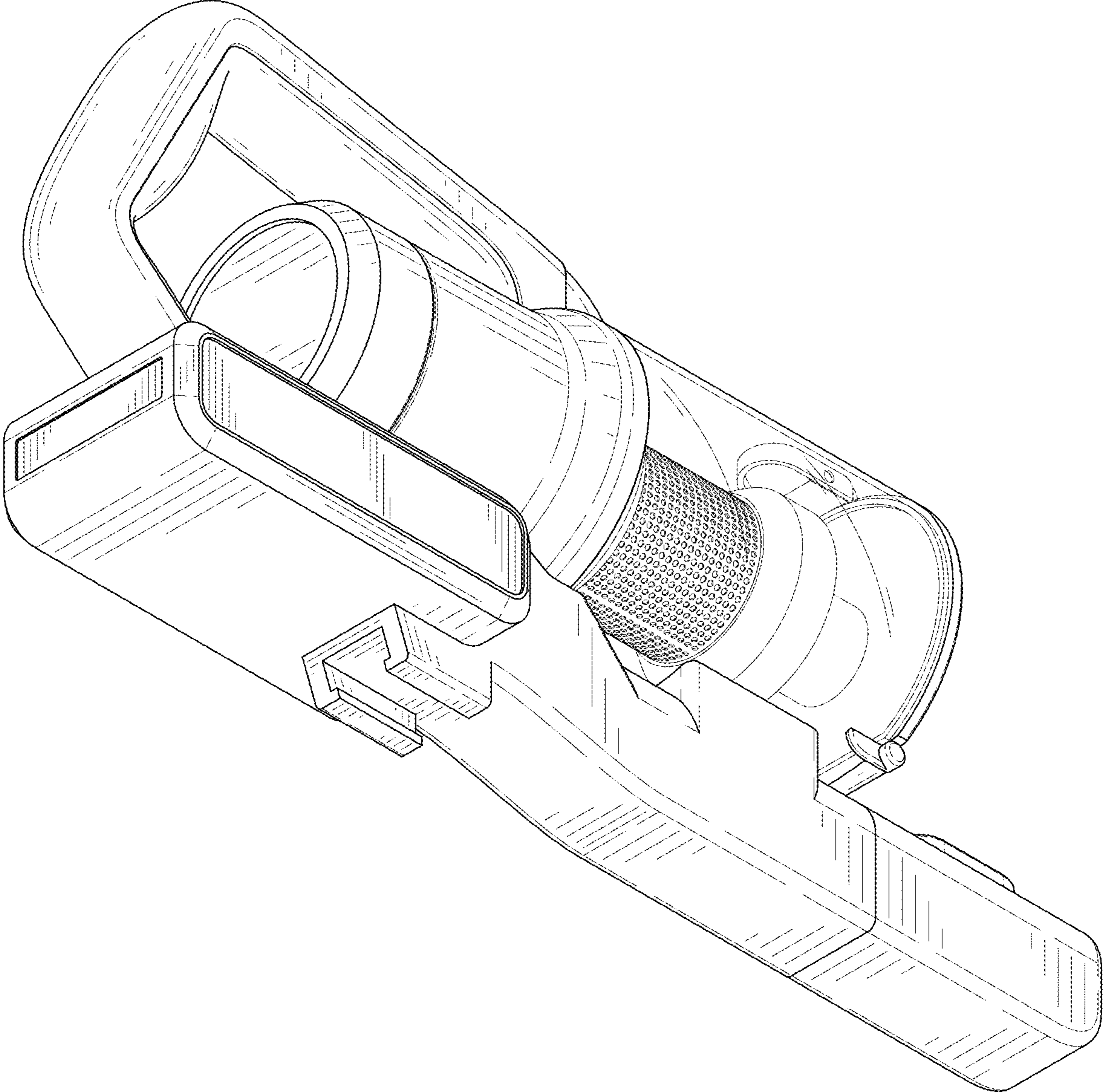


FIG. 2

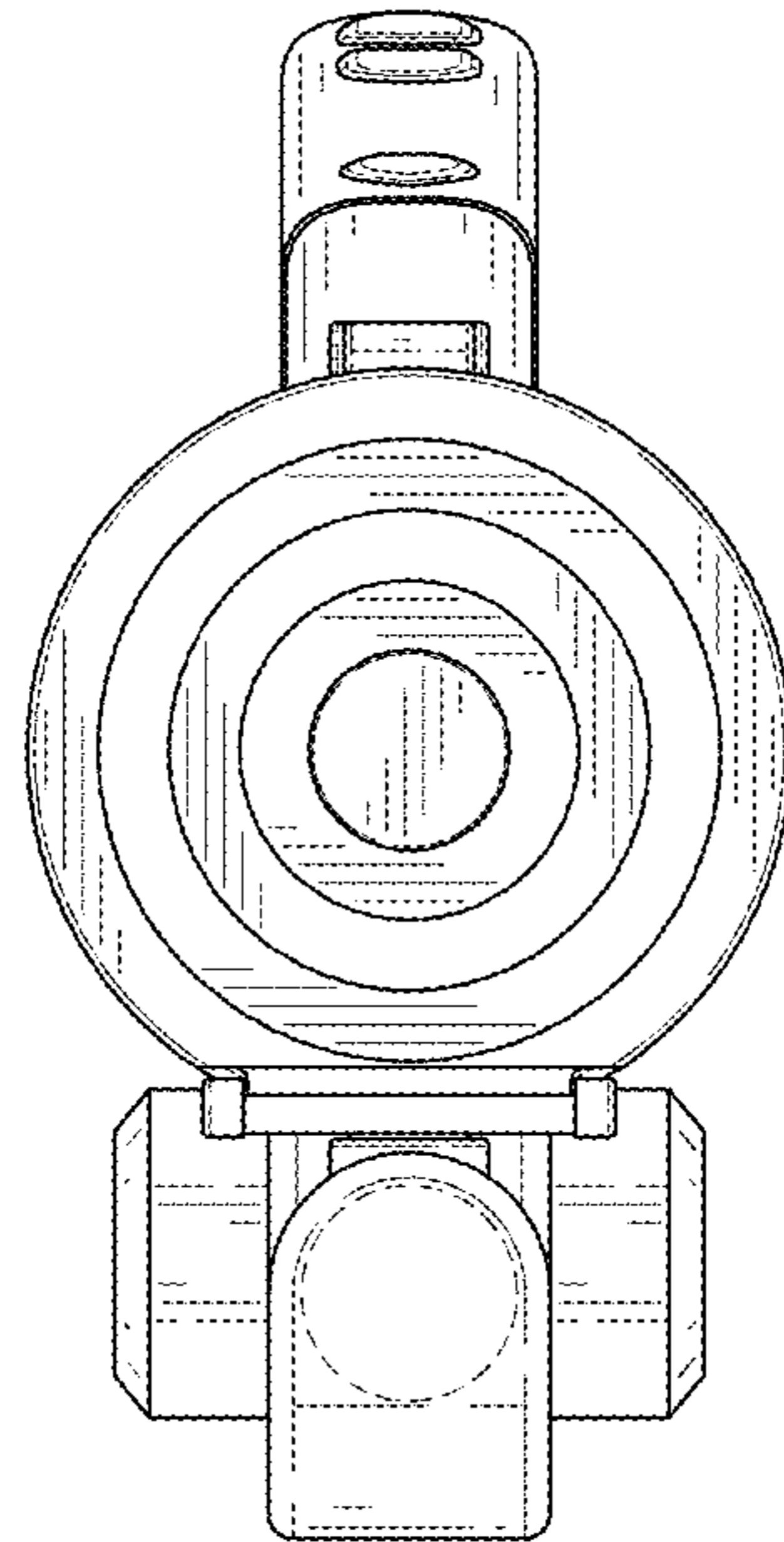


FIG. 3

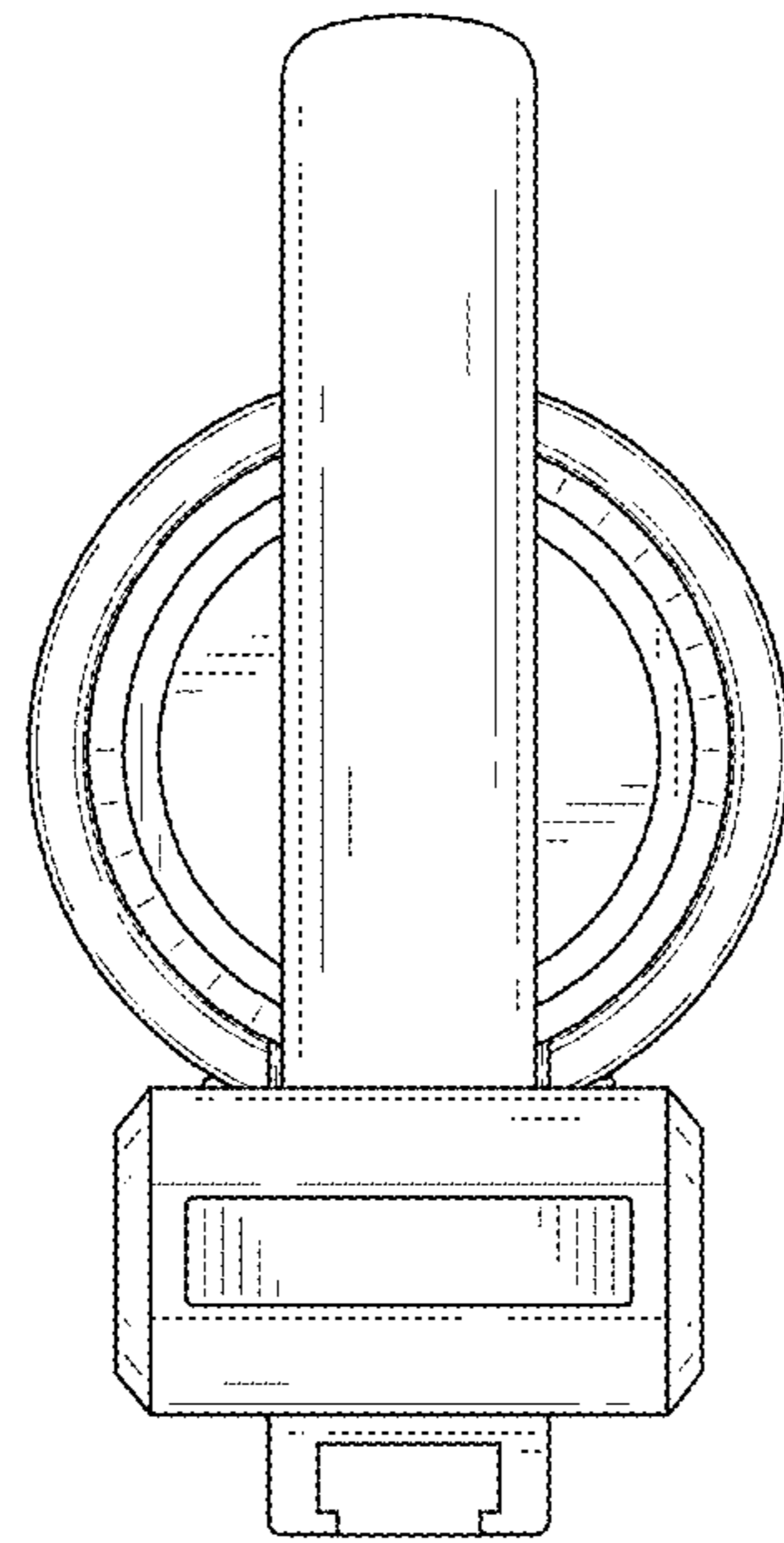


FIG. 4

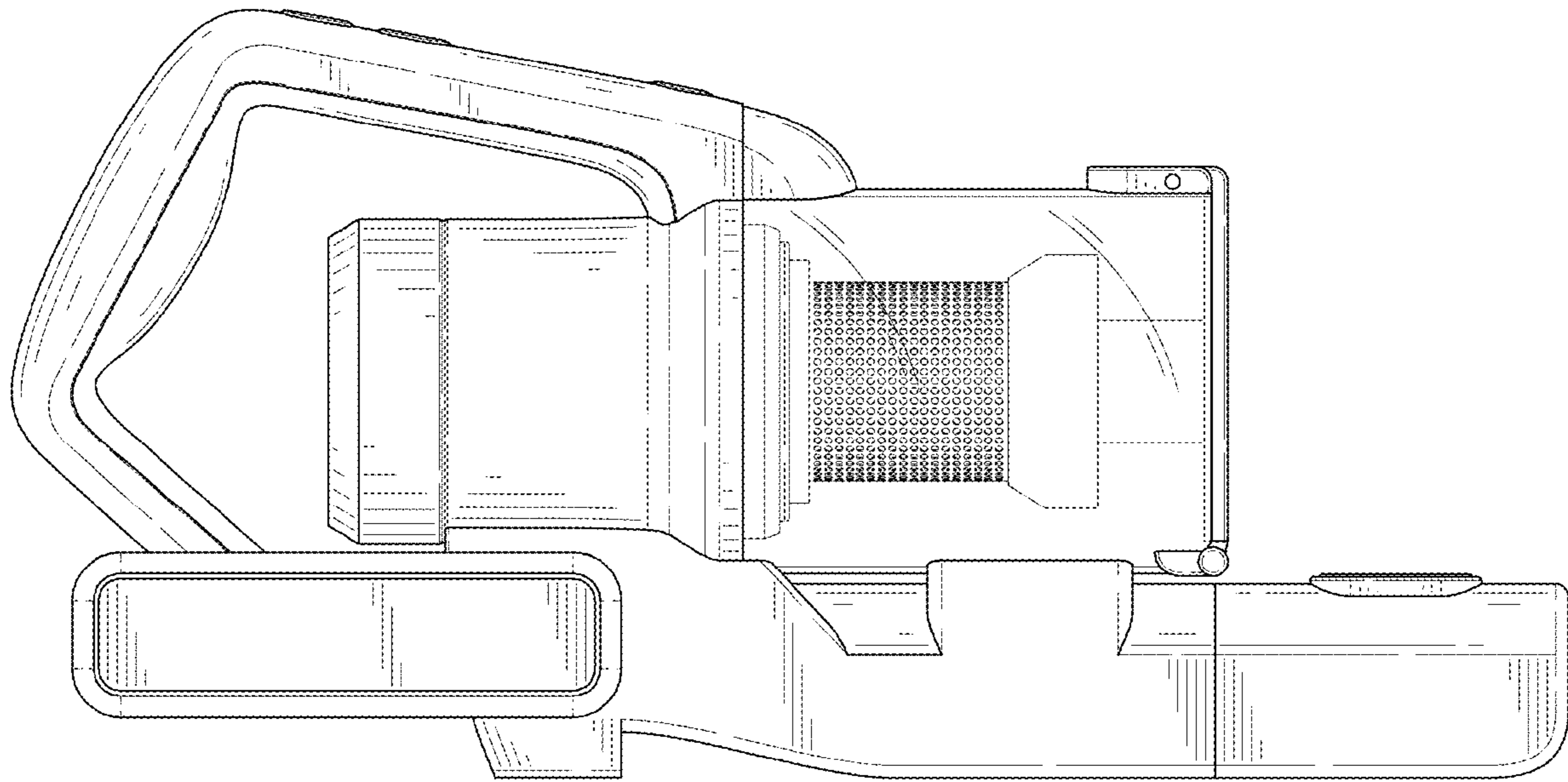


FIG. 5

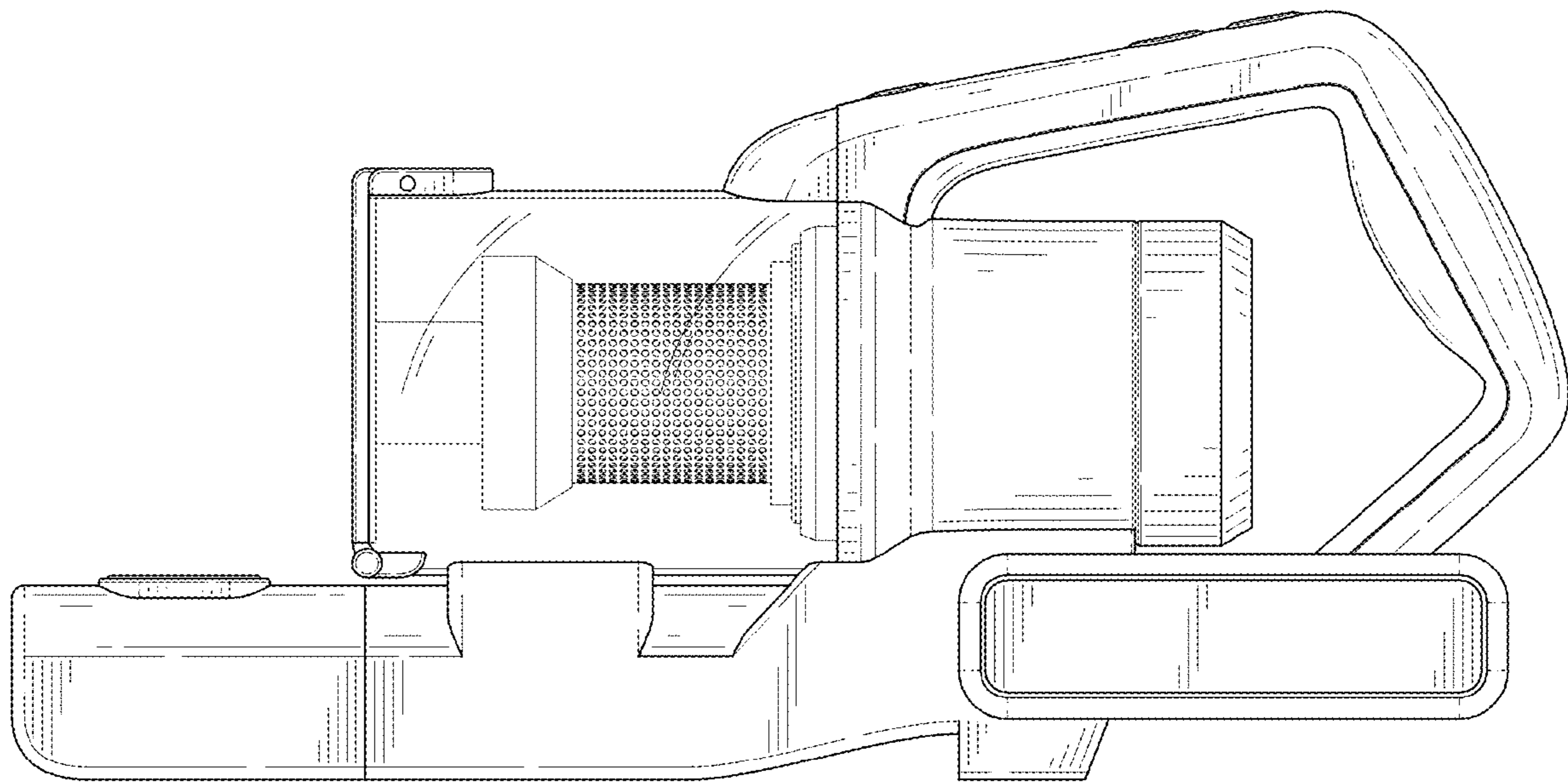


FIG. 6

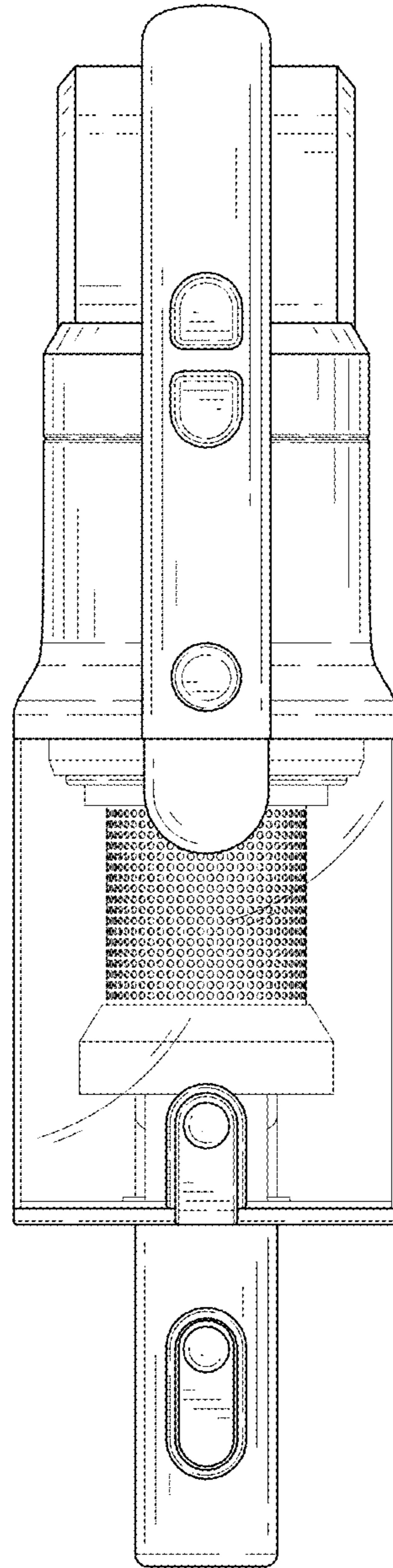


FIG. 7

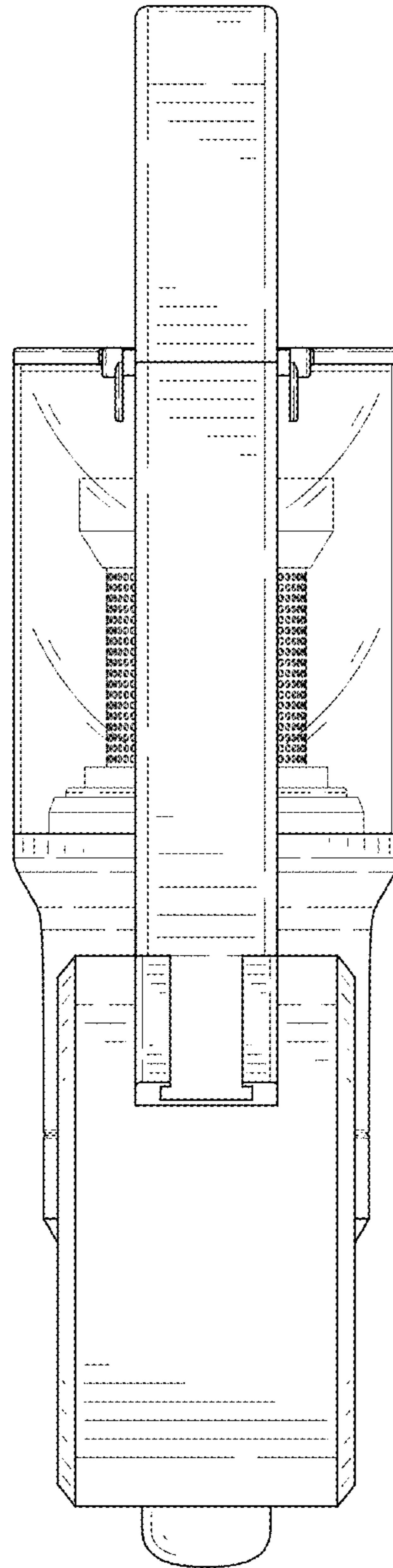


FIG. 8