

US00D973986S

(12) **United States Design Patent**
Lundbaeck

(10) **Patent No.:** **US D973,986 S**

(45) **Date of Patent:** **** Dec. 27, 2022**

(54) **VACUUM CLEANER**

(71) Applicant: **Robert Bosch GmbH**, Stuttgart (DE)

(72) Inventor: **Andreas Lundbaeck**, Stockholm (SE)

(73) Assignee: **Robert Bosch GmbH**, Stuttgart (DE)

(**) Term: **15 Years**

(21) Appl. No.: **29/671,596**

(22) Filed: **Nov. 28, 2018**

(30) **Foreign Application Priority Data**

May 29, 2018 (EM) 005287232

(51) **LOC (13) Cl.** **15-05**

(52) **U.S. Cl.**
USPC **D32/18**

(58) **Field of Classification Search**

USPC ... D32/17, 18, 21, 22, 31-34, 68, 70, 71, 73
CPC . A47L 5/24; A47L 5/362; A47L 15/28; A47L
9/325; A47L 9/2857; A47L 9/1427; A47L
15/14; A47L 9/2884; A47L 9/1666; A47L
9/1683; A47L 9/1625; A47L 9/22; B62B
19/44; B60S 3/002; F28G 3/66; B01D
50/002; B01D 45/12; B01D 46/4254;
B01D 46/10

See application file for complete search history.

(56) **References Cited**

U.S. PATENT DOCUMENTS

D640,021 S * 6/2011 Houghton D32/18
D660,527 S * 5/2012 Kawase D32/18
D720,102 S * 12/2014 Gu D32/18
D773,130 S * 11/2016 Gray D32/18
D785,260 S * 4/2017 Lin D32/31
D792,039 S * 7/2017 Yoon D32/18
D795,513 S * 8/2017 Bruneel D32/18

D803,492 S * 11/2017 Jang D32/18
D806,331 S * 12/2017 Chu D32/18
D807,598 S * 1/2018 Houghton D32/18
D835,867 S * 12/2018 Jang D32/18
D855,908 S * 8/2019 Tu D32/18
D855,909 S * 8/2019 Ma D32/18
D862,819 S * 10/2019 Xu D32/18
D868,403 S * 11/2019 Wang D32/18
D869,795 S * 12/2019 Wang D32/18
D928,434 S * 8/2021 Gray D32/22
2011/0030164 A1* 2/2011 Milligan A47L 9/1666
15/344

(Continued)

Primary Examiner — Manpreet S Matharu

Assistant Examiner — Yolanda Robinson

(74) *Attorney, Agent, or Firm* — Maginot, Moore & Beck
LLP

(57) **CLAIM**

The ornamental design for a vacuum cleaner, as shown and
described.

DESCRIPTION

FIG. 1 is a perspective view of a vacuum cleaner showing
my new design;

FIG. 2 is a right side elevational view of the vacuum cleaner
of FIG. 1;

FIG. 3 is a left side elevational view of the vacuum cleaner
of FIG. 1;

FIG. 4 is a front elevational view of the vacuum cleaner of
FIG. 1;

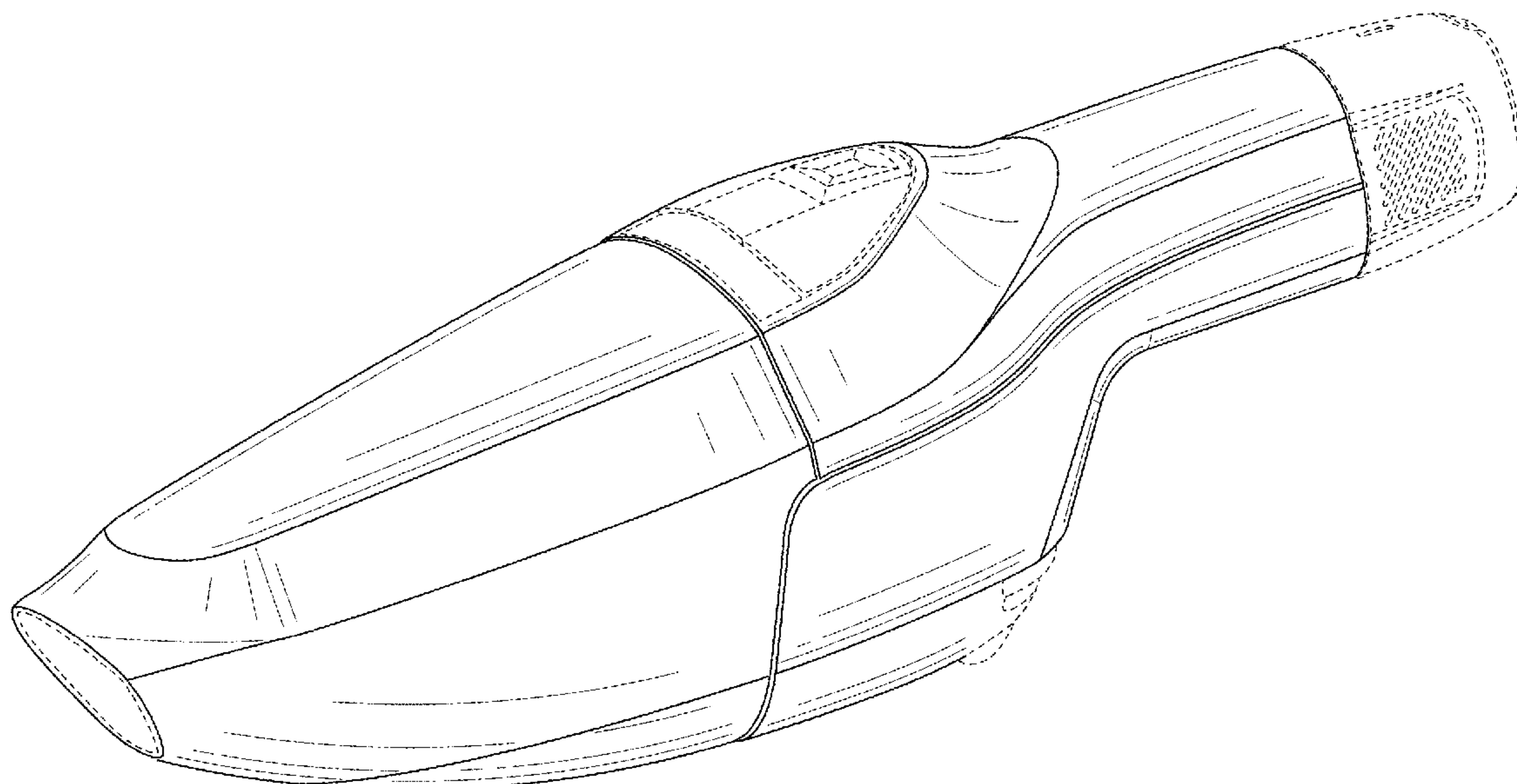
FIG. 5 is a rear elevational view of the vacuum cleaner of
FIG. 1;

FIG. 6 is a top plan view of the vacuum cleaner of FIG. 1;
and,

FIG. 7 is a bottom plan view of the vacuum cleaner of FIG.
1.

The broken lines shown in the drawings illustrate portions of
the vacuum cleaner that form no part of the claimed design.

1 Claim, 7 Drawing Sheets



(56)

References Cited

U.S. PATENT DOCUMENTS

2018/0132688 A1* 5/2018 Walker A47L 9/149
2019/0365178 A1* 12/2019 Khalil A47L 5/225

* cited by examiner

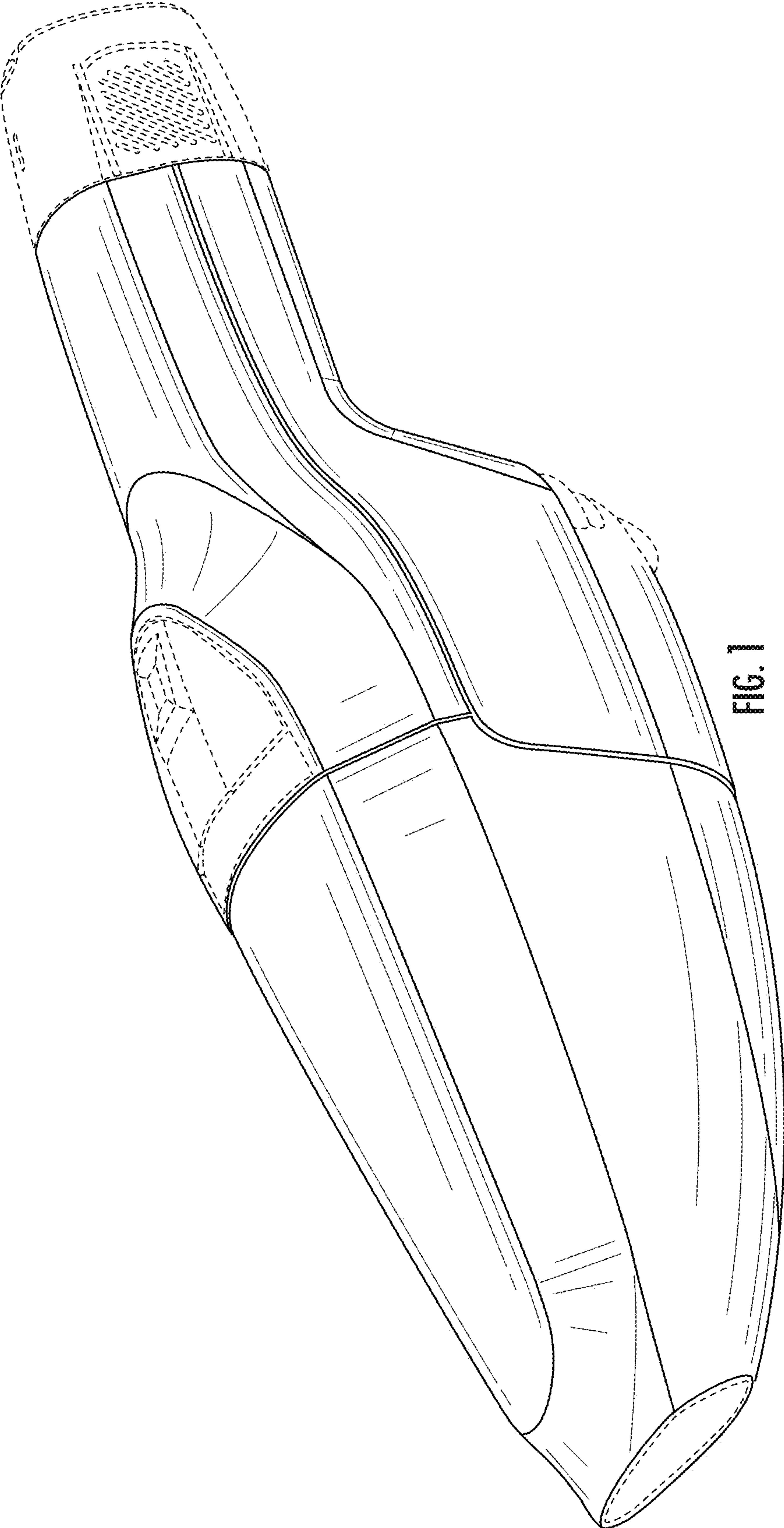


FIG. 1

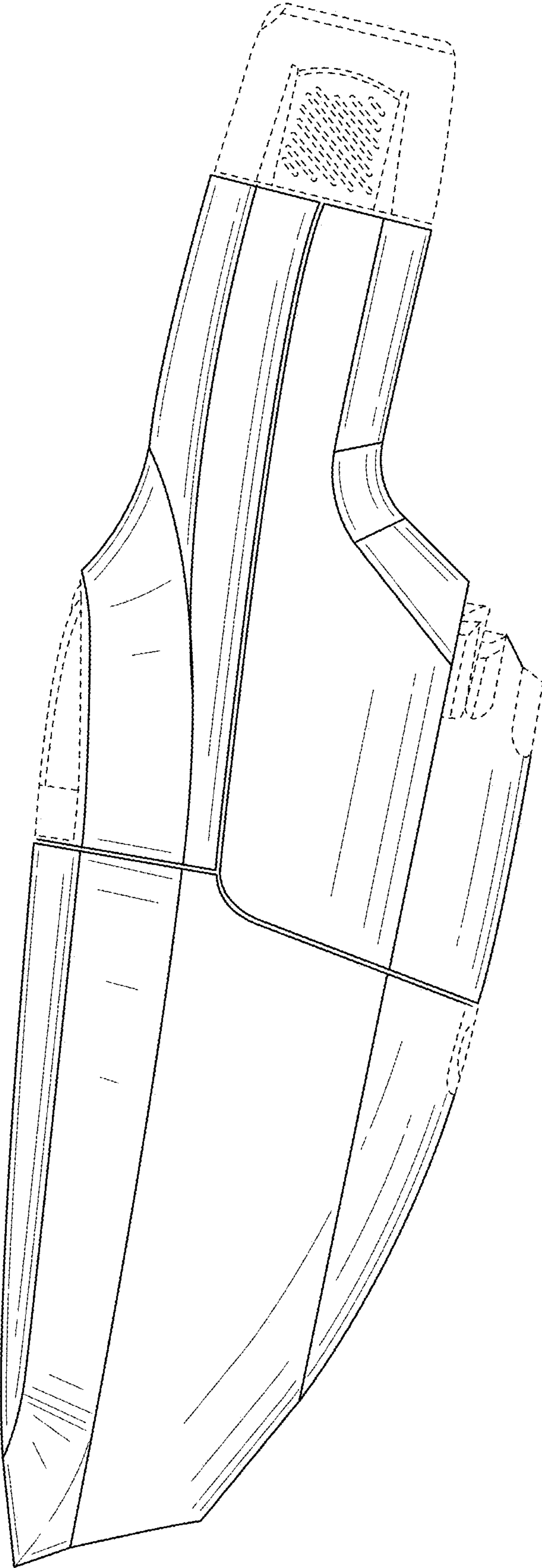


FIG. 2

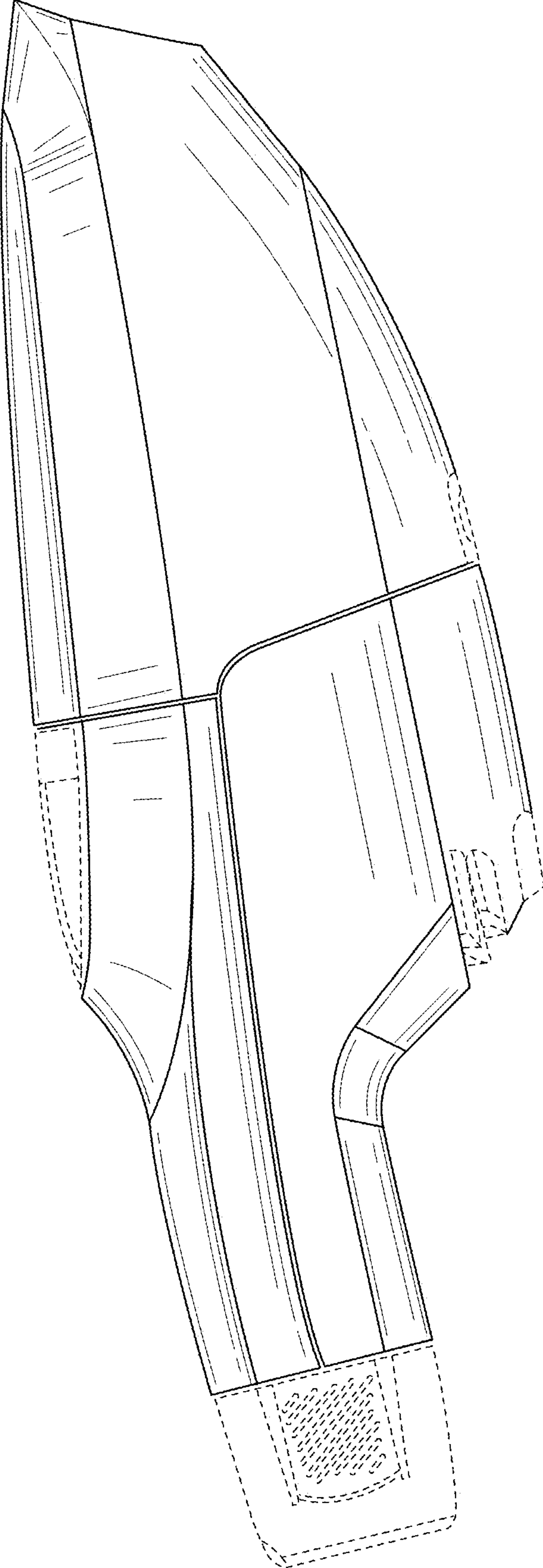


FIG. 3

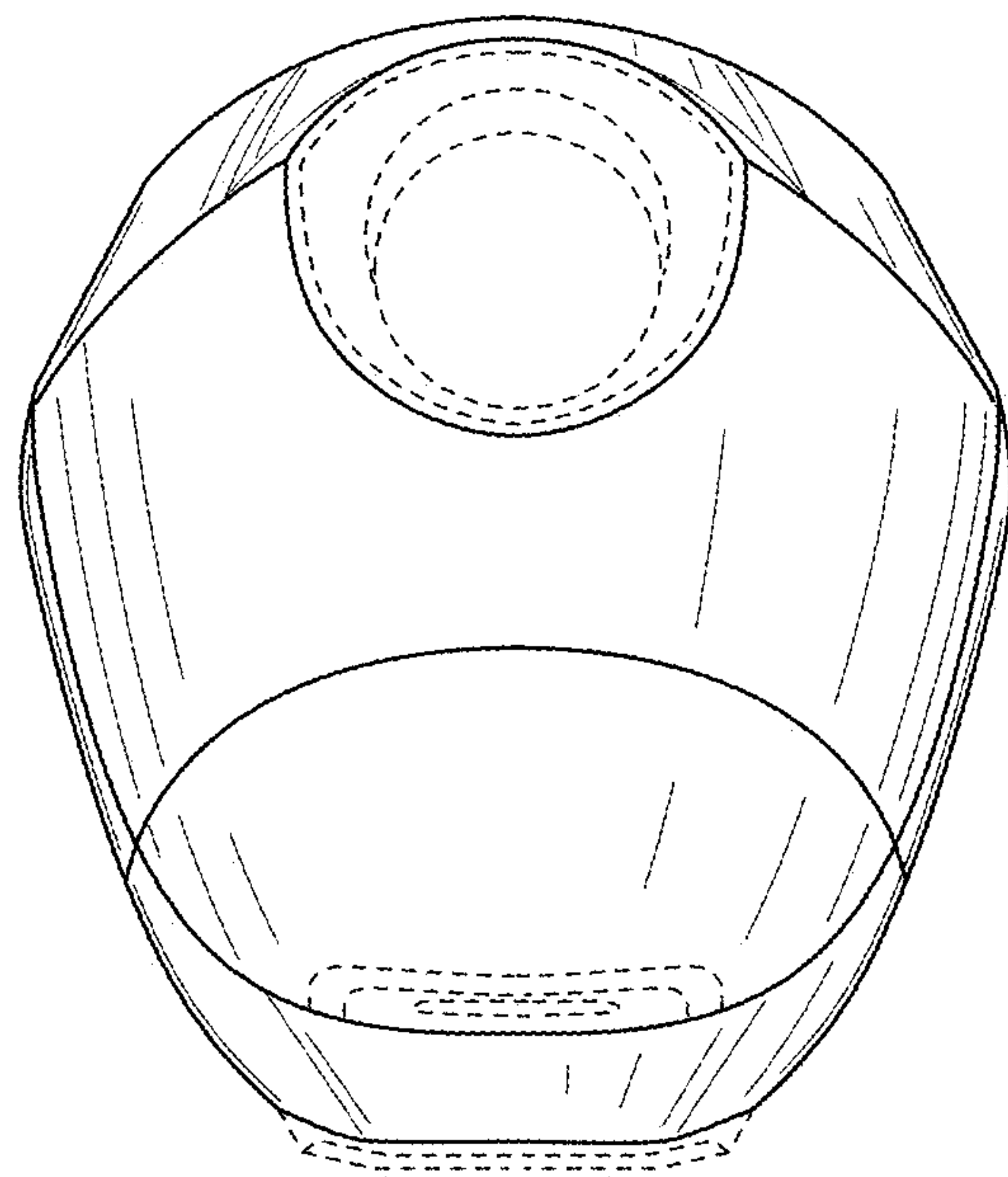


FIG. 4

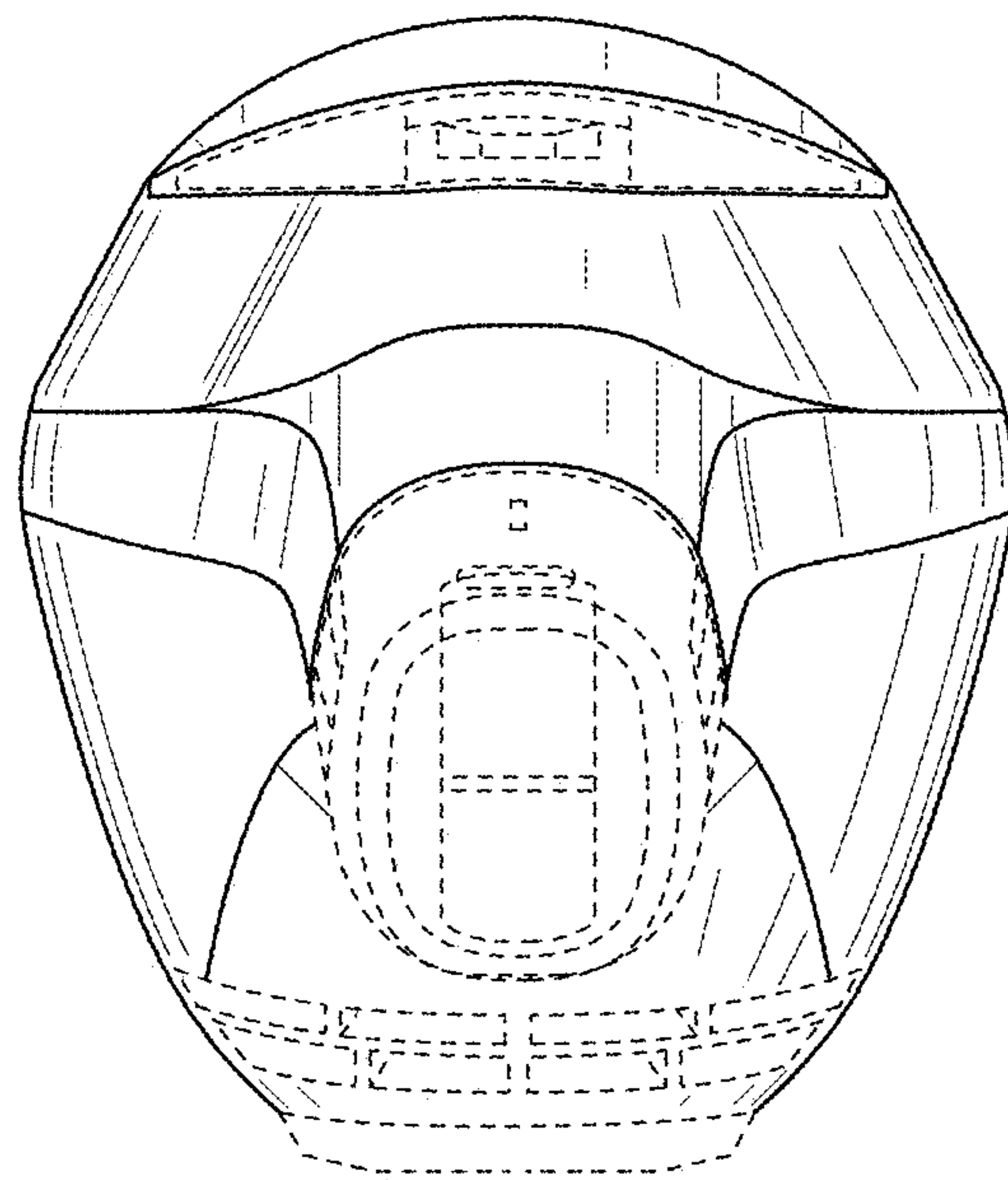


FIG. 5

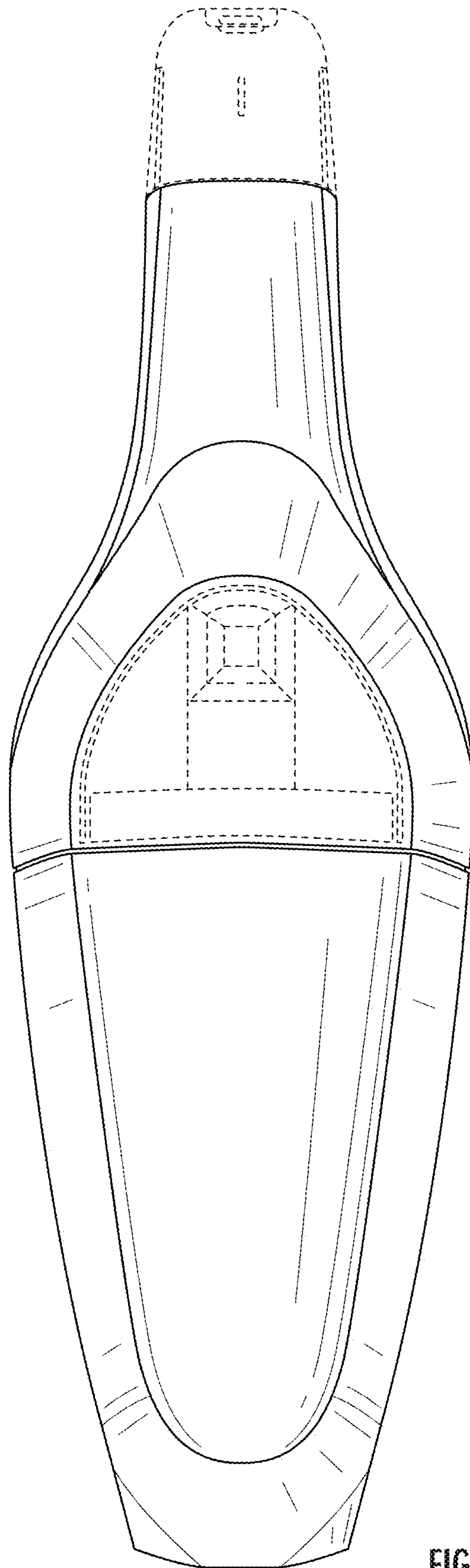


FIG. 6

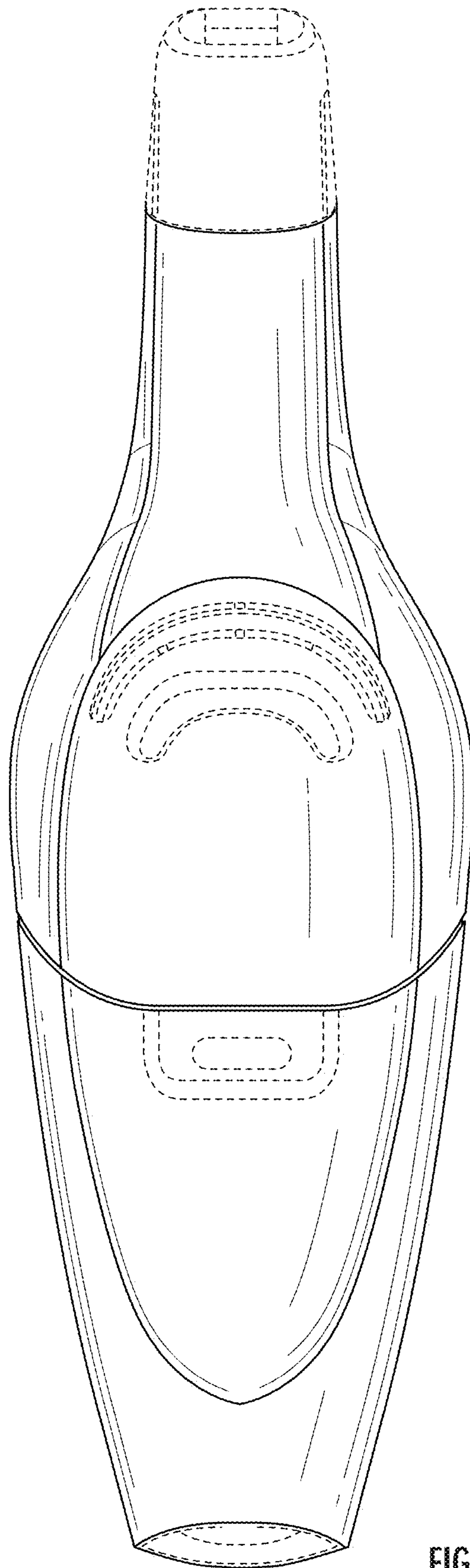


FIG. 7