

US00D973985S

(12) **United States Design Patent** (10) **Patent No.:** **US D973,985 S**
Molina Cabrera et al. (45) **Date of Patent:** **** Dec. 27, 2022**

- (54) **FLOOR CLEANING APPARATUS**
- (71) Applicant: **Avidbots**, Kitchener (CA)
- (72) Inventors: **Pablo Roberto Molina Cabrera**, Waterloo (CA); **Dhrov Gupta**, Oakville (CA)
- (73) Assignee: **Avidbots Corp**, Kitchener (CA)
- (**) Term: **15 Years**
- (21) Appl. No.: **29/737,375**
- (22) Filed: **Jun. 8, 2020**
- (51) **LOC (13) Cl.** **15-05**
- (52) **U.S. Cl.**
USPC **D32/16**
- (58) **Field of Classification Search**
USPC D32/4, 15, 16, 21-23, 31, 34
CPC A47L 7/0004; A47L 7/0023; A47L 7/009;
A47L 11/4036; A47L 11/4041; A47L 11/30; A47L 11/4016; A47L 11/4038
See application file for complete search history.

(56) **References Cited**

U.S. PATENT DOCUMENTS

D274,380 S *	6/1984	Palmer	D32/16
D337,185 S *	7/1993	Wulff	D32/22
D364,012 S *	11/1995	Bothun	D32/19
D542,988 S *	5/2007	Dammkoehler	D32/16
D544,659 S *	6/2007	Auerswald	D32/16
D569,057 S *	5/2008	Goff	D32/16
D659,308 S *	5/2012	Dammkoehler	D32/16
D661,853 S *	6/2012	Dammkoehler	D32/16
D693,071 S *	11/2013	Dammkoehler	D32/16
D734,573 S *	7/2015	Dammkoehler	D32/16
D779,138 S *	2/2017	Jin	D32/16
D782,759 S *	3/2017	Mathiassen	D32/21
D785,254 S *	4/2017	Dammkoehler	D32/16
D793,635 S *	8/2017	Dammkoehler	D32/16
D907,868 S *	1/2021	Bearup	D32/16

D910,943 S *	2/2021	Burchard	D32/16
D941,538 S *	1/2022	Dammkoehler	D32/16
2003/0019068 A1 *	1/2003	Field	A47L 11/4016 15/320
2008/0104792 A1 *	5/2008	Coccapani	A47L 11/4044 29/592
2008/0216259 A1 *	9/2008	Walz	A47L 11/283 15/49.1
2009/0064452 A1 *	3/2009	Thatcher	A47L 11/4002 15/364
2010/0212690 A1 *	8/2010	Linden	A47L 11/4038 15/98
2012/0115401 A1 *	5/2012	Lombard	A47L 11/292 451/353

(Continued)

OTHER PUBLICATIONS

www.jpost.com Global Heavy-Duty Automatic Floor Cleaning Machine
<https://www.jpost.com/promocontent/5-best-automatic-floor-cleaning-machines-for-2016-441123> (Year: 2016).*

Primary Examiner — Kevin K Rudzinski
Assistant Examiner — Richard E Yenchesky

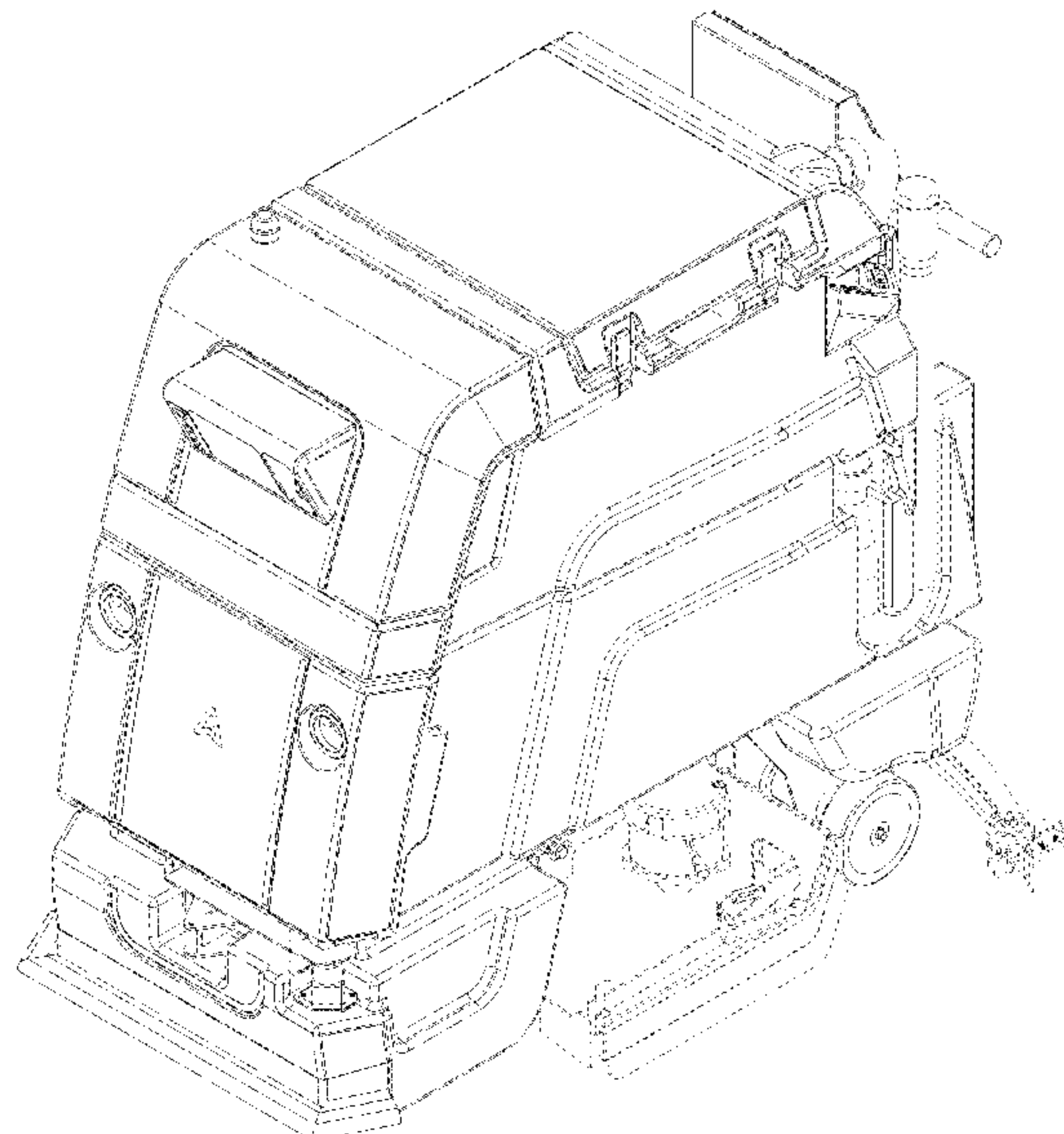
(57) **CLAIM**

We claim the ornamental design for a floor cleaning apparatus, as shown and described.

DESCRIPTION

FIG. 1 is a front perspective view of a floor cleaning apparatus;
FIG. 2 is a front elevation view thereof;
FIG. 3 is a rear elevation view thereof;
FIG. 4 is a left side elevation view thereof;
FIG. 5 is a right side elevation view thereof; and,
FIG. 6 is a top plan view thereof.
The broken lines are directed to environment and are for illustrative purposes only; the broken lines form no part of the claimed design.

1 Claim, 6 Drawing Sheets



(56)

References Cited

U.S. PATENT DOCUMENTS

2012/0151696 A1* 6/2012 Hamblin A47L 11/4069
15/4
2013/0139347 A1* 6/2013 Troff A47L 11/4016
15/320
2018/0296052 A1* 10/2018 Chen A47L 9/2894
2019/0216283 A1* 7/2019 Cabrera A47L 11/4011
2021/0127934 A1* 5/2021 Weil A47L 11/4011
2021/0259499 A1* 8/2021 Goff A47L 11/4083

* cited by examiner

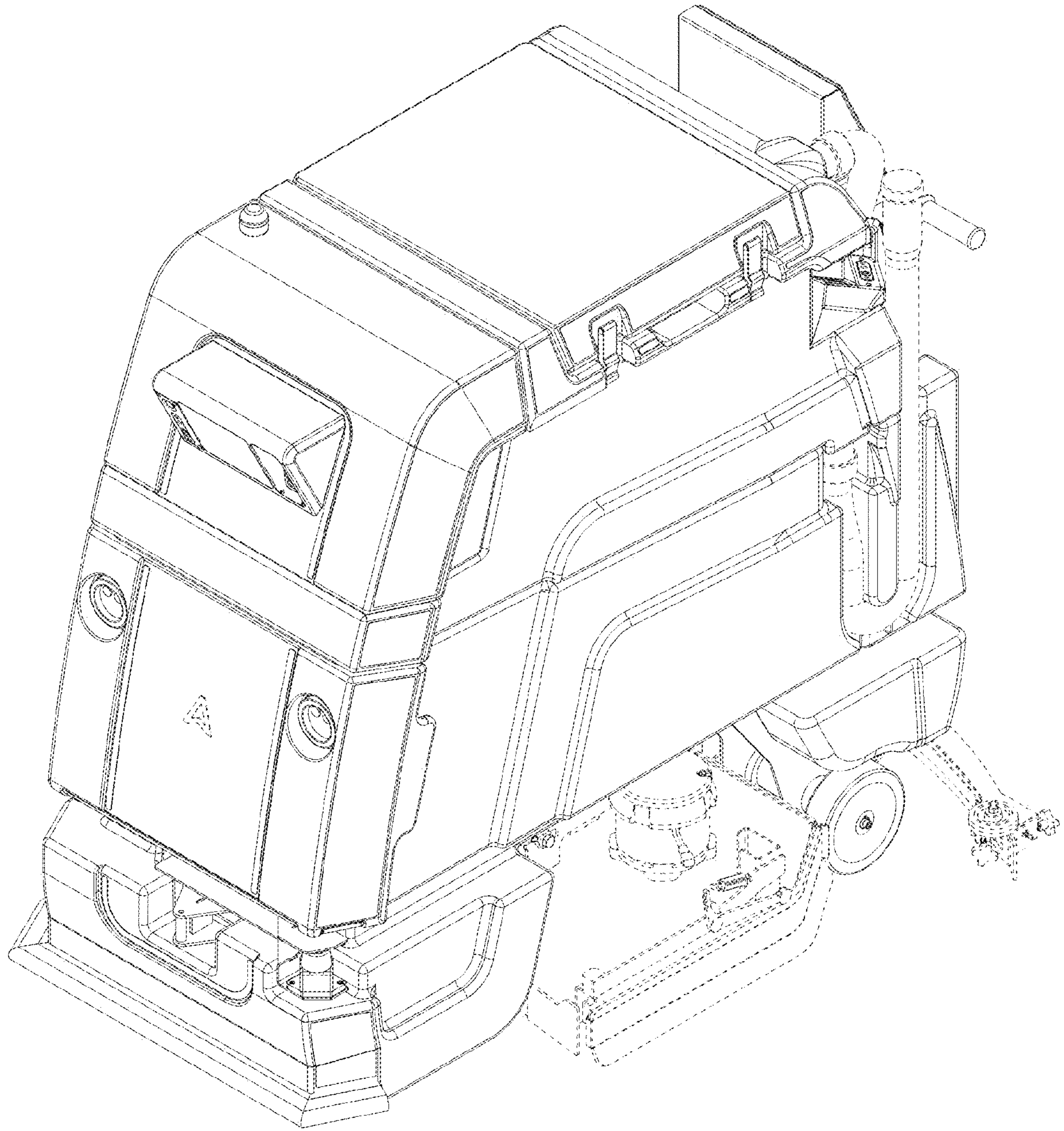


FIG.1

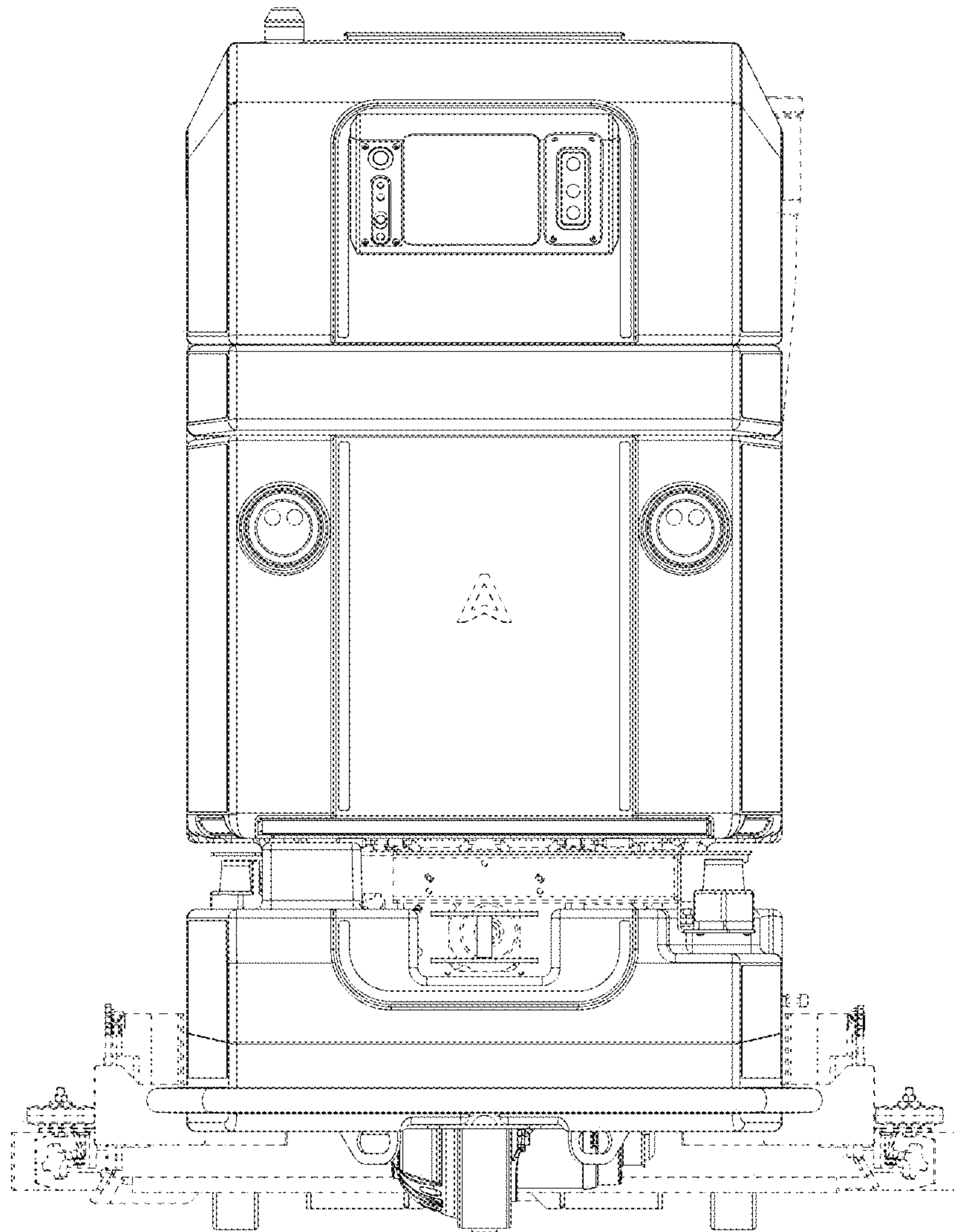


FIG.2

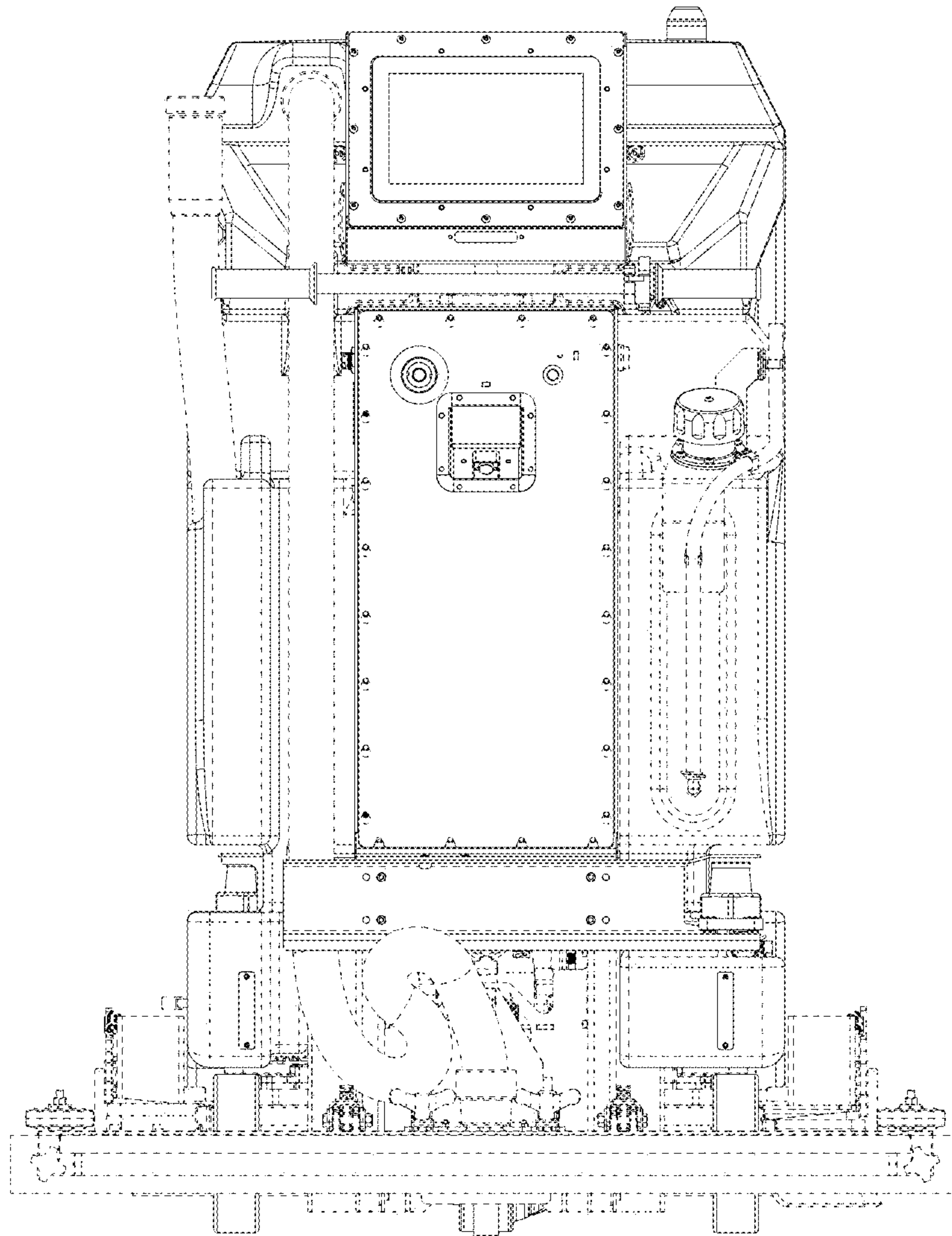


FIG.3

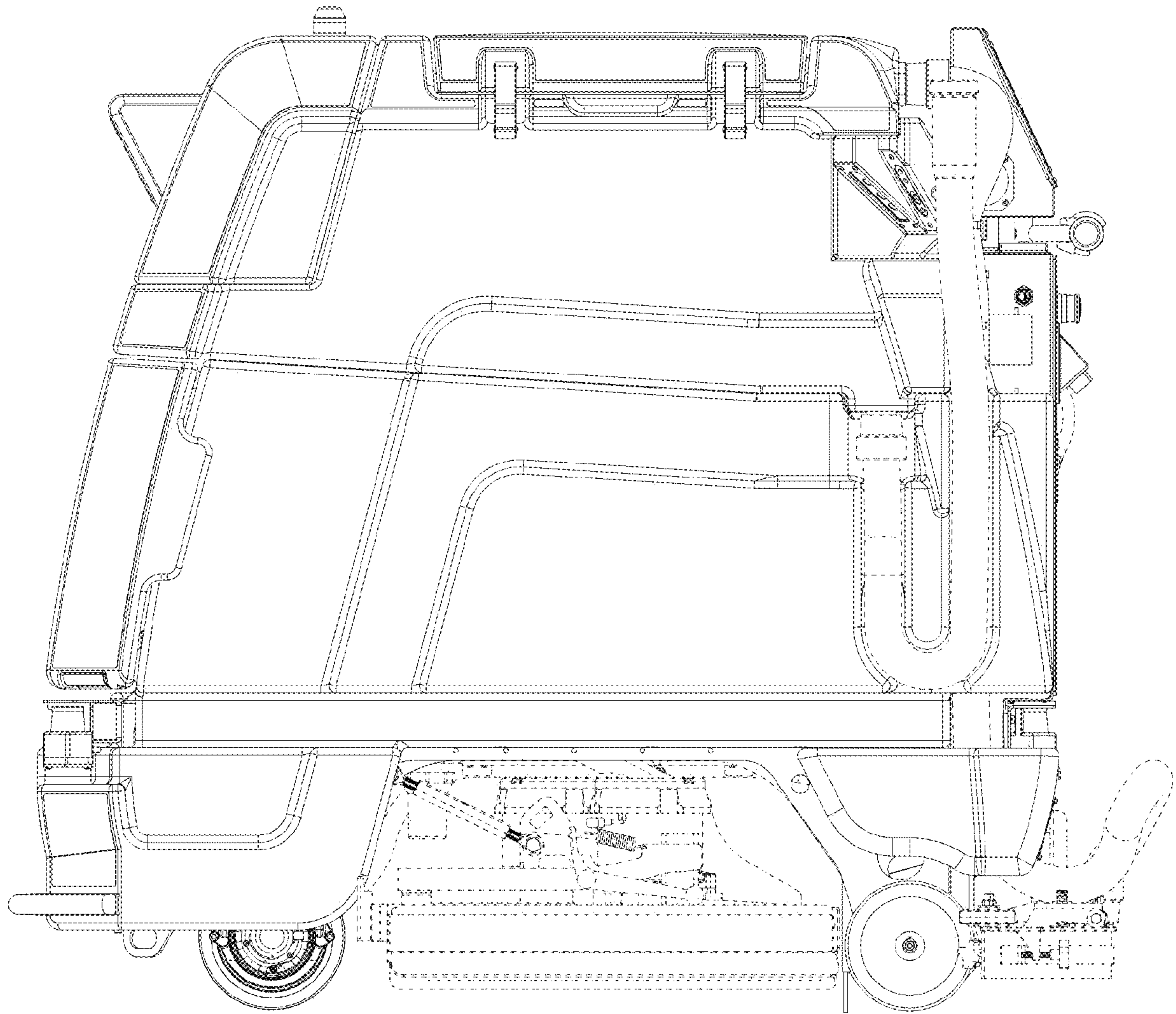


FIG.4

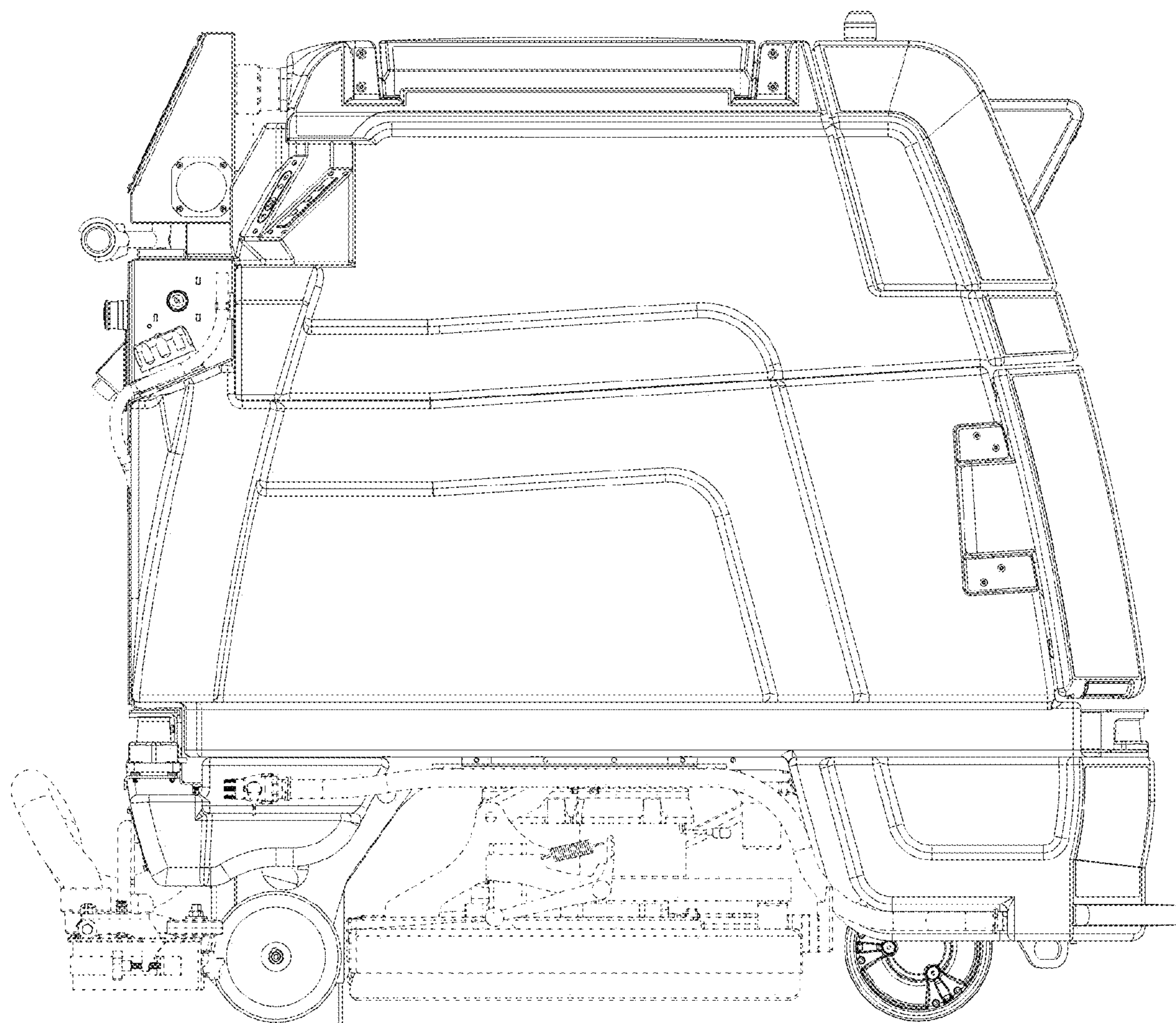


FIG.5

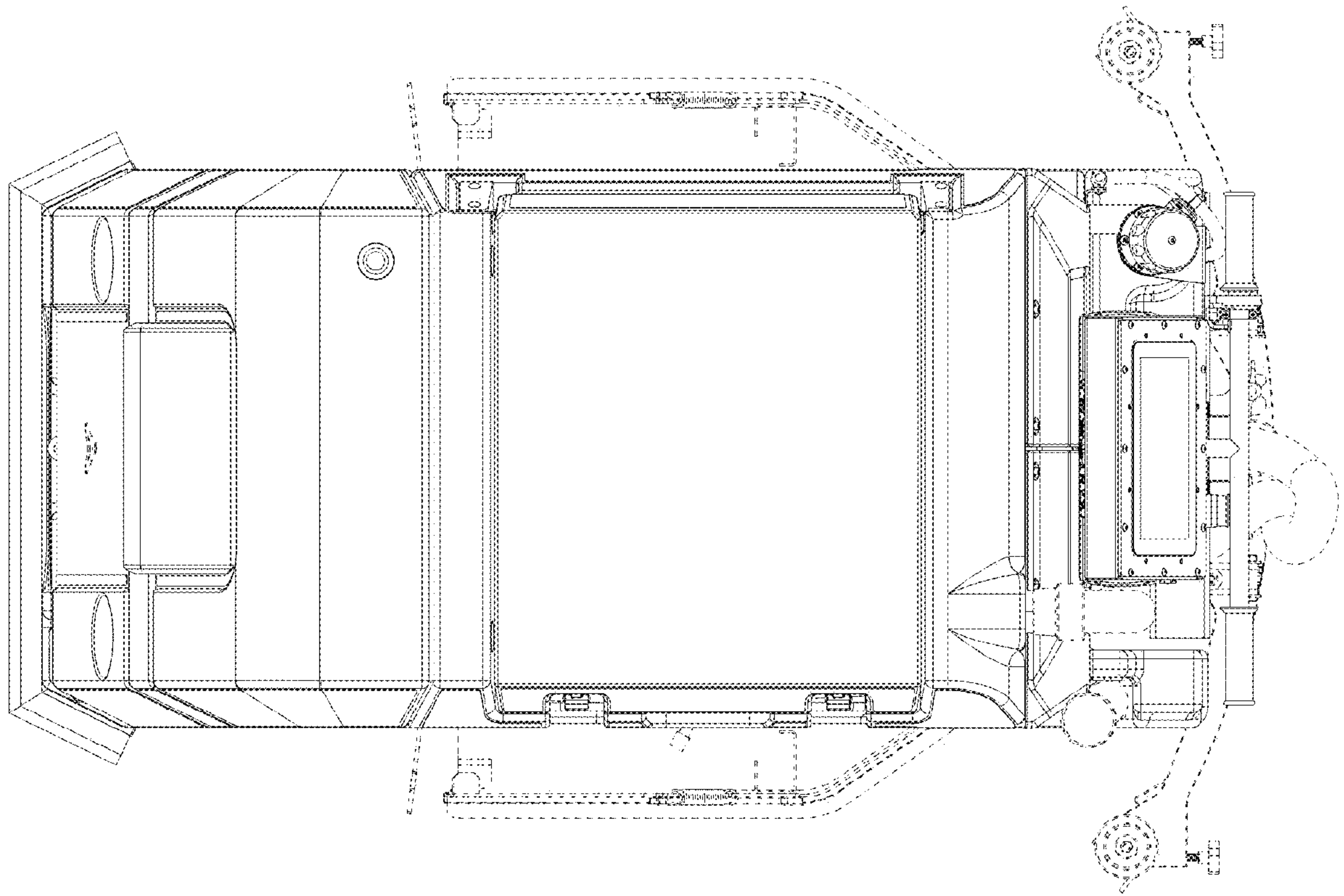


FIG.6