



US00D973982S

(12) **United States Design Patent** (10) **Patent No.:** **US D973,982 S**  
**Peng** (45) **Date of Patent:** **\*\* Dec. 27, 2022**

(54) **PET TOY BALL**  
(71) Applicant: **Shuai Peng, Yueyang (CN)**  
(72) Inventor: **Shuai Peng, Yueyang (CN)**  
(\*\*) Term: **15 Years**  
(21) Appl. No.: **29/836,056**  
(22) Filed: **Apr. 24, 2022**  
(51) **LOC (13) Cl.** ..... **30-99**  
(52) **U.S. Cl.**  
USPC ..... **D30/160**  
(58) **Field of Classification Search**  
USPC ..... D30/160; D1/125-129, 199;  
D21/439-440, 780-781  
CPC .. A01K 15/025; A01K 15/026; A01K 5/0114;  
A23K 50/40  
See application file for complete search history.

D776,371 S 1/2017 Tome  
D786,513 S 5/2017 Tome  
D817,562 S \* 5/2018 Markham ..... D21/713  
D838,417 S \* 1/2019 Jiang ..... D21/713  
D844,720 S \* 4/2019 Adams ..... D21/781  
D844,721 S \* 4/2019 Adams ..... D21/780  
D904,700 S \* 12/2020 Baker ..... D30/160  
2020/0288671 A1\* 9/2020 Nguyen ..... A01K 15/025

\* cited by examiner

*Primary Examiner* — Samantha Wood  
*Assistant Examiner* — Aula Soroush  
(74) *Attorney, Agent, or Firm* — Jeenam Park

(57) **CLAIM**

The ornamental design for a pet toy ball, as shown and described.

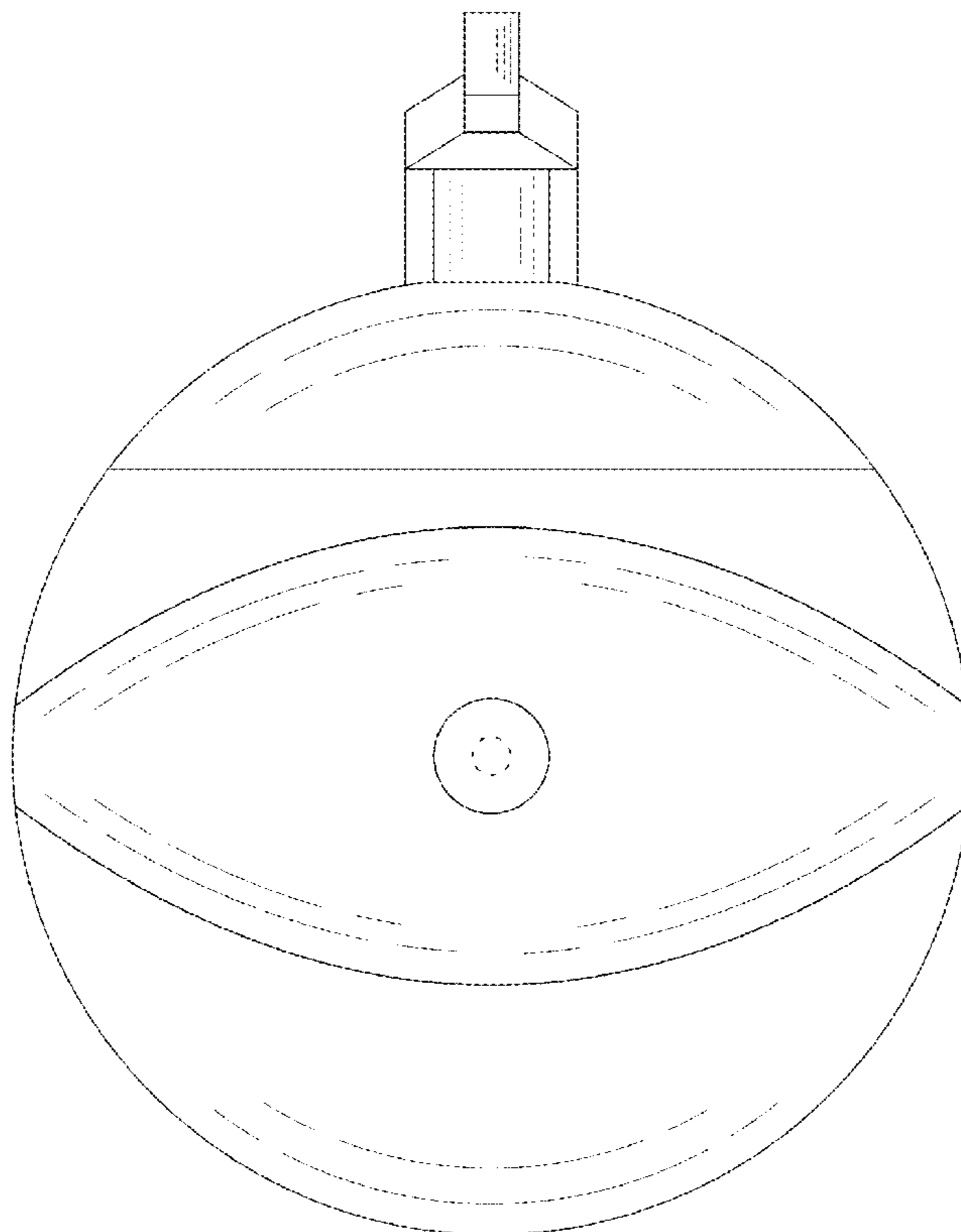
**DESCRIPTION**

FIG. 1 is a front view of a pet toy ball, showing my new design;  
FIG. 2 is a rear view thereof;  
FIG. 3 is a left side view thereof;  
FIG. 4 is a right side view thereof;  
FIG. 5 is a top plan view thereof;  
FIG. 6 is a bottom plan view thereof;  
FIG. 7 is a perspective view thereof; and,  
FIG. 8 is another perspective view.  
The broken lines in the drawings illustrate portions of the pet toy ball that form no part of the claimed design.

**1 Claim, 8 Drawing Sheets**

(56) **References Cited**  
U.S. PATENT DOCUMENTS

D88,289 S \* 11/1932 Hawes ..... D21/713  
D456,959 S \* 5/2002 Simon ..... D30/160  
D516,145 S \* 2/2006 Oblack ..... D21/713  
D517,621 S \* 3/2006 Kuehne ..... D21/713  
D577,396 S \* 9/2008 Burger ..... D21/713  
D609,290 S \* 2/2010 Oblack ..... D21/713  
D673,740 S \* 1/2013 Burger ..... D21/713  
D705,876 S \* 5/2014 Oblack ..... D21/712  
D768,795 S \* 10/2016 O'Malley ..... D21/713  
D775,288 S \* 12/2016 Spiegler ..... D21/780



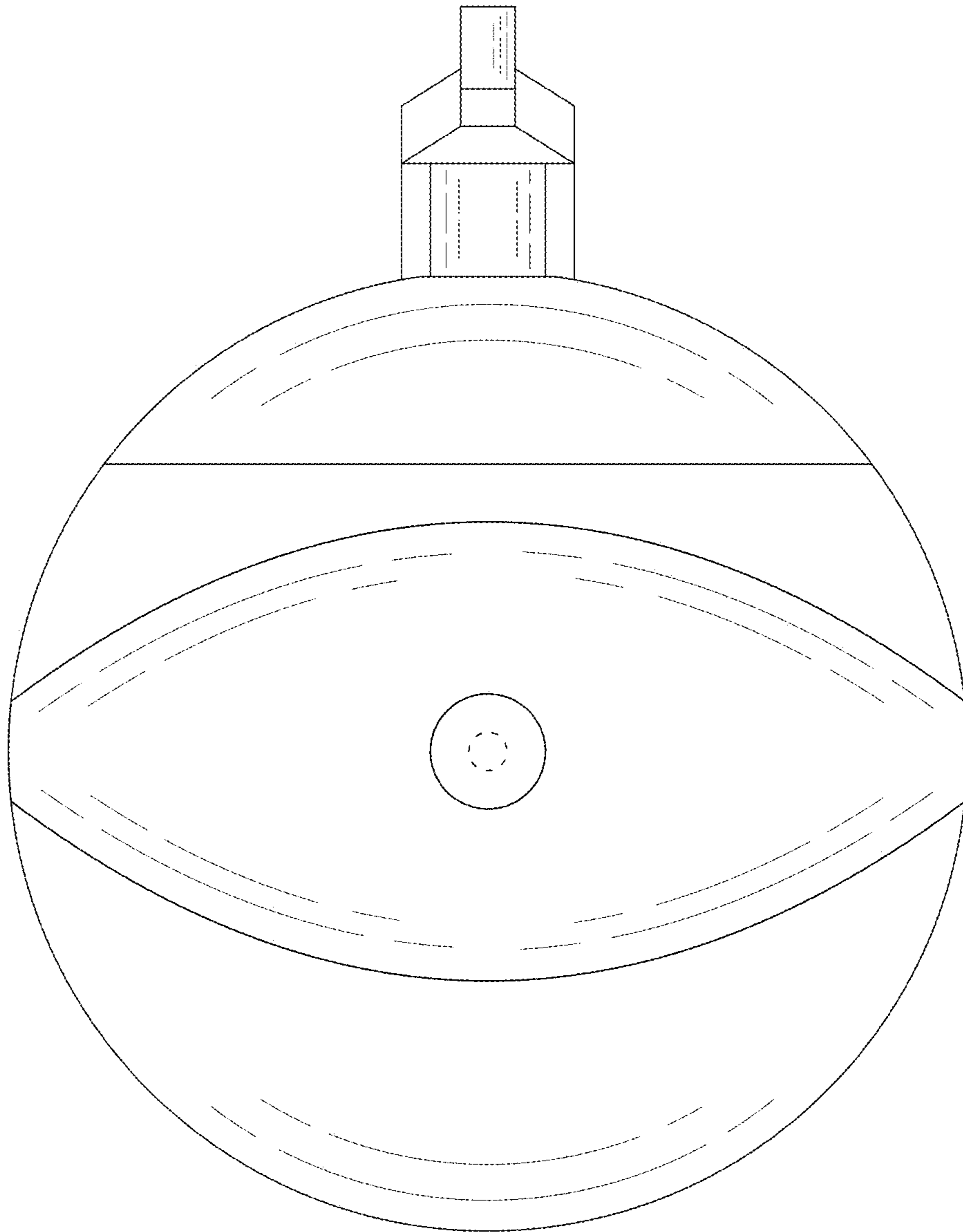


FIG. 1

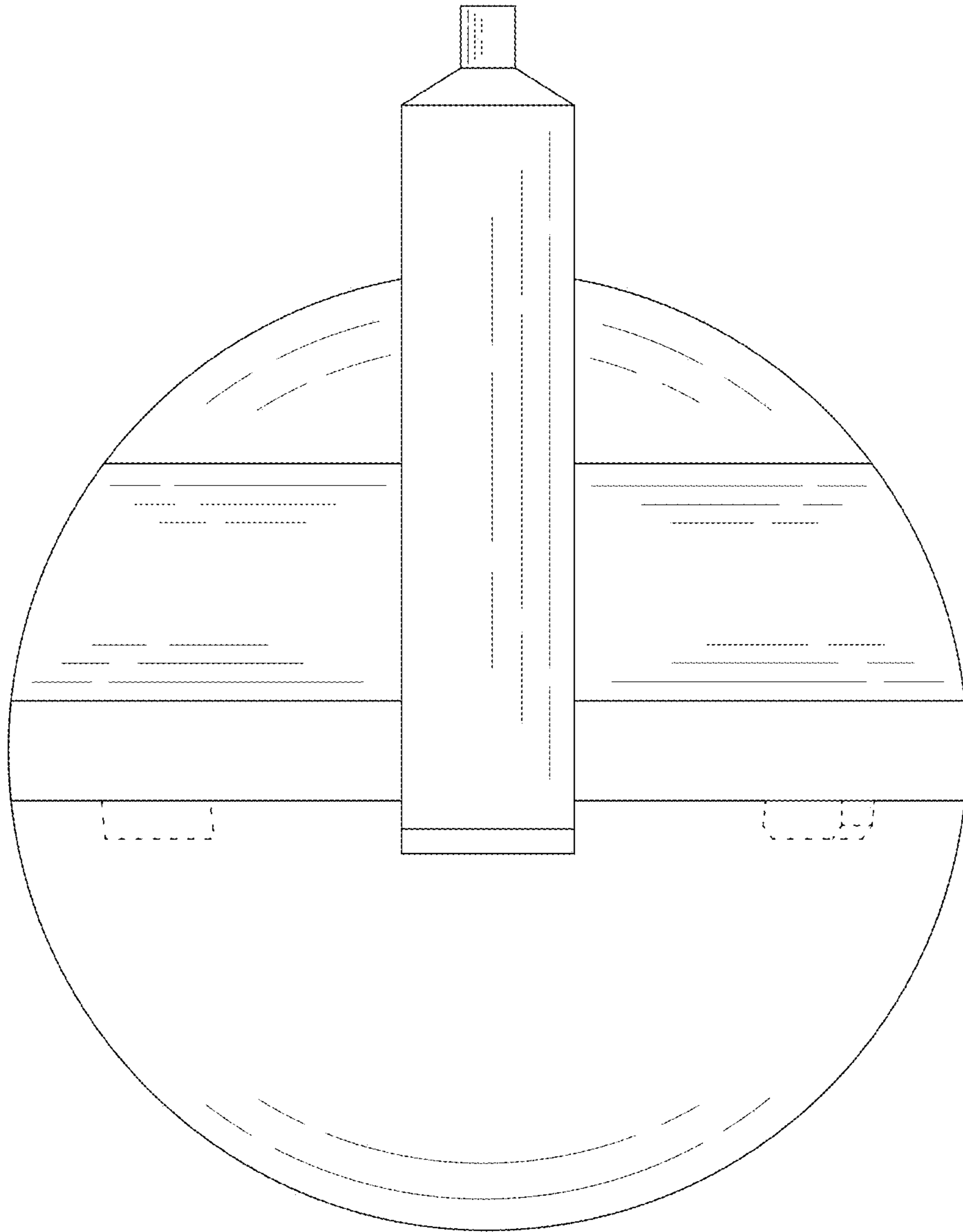


FIG. 2

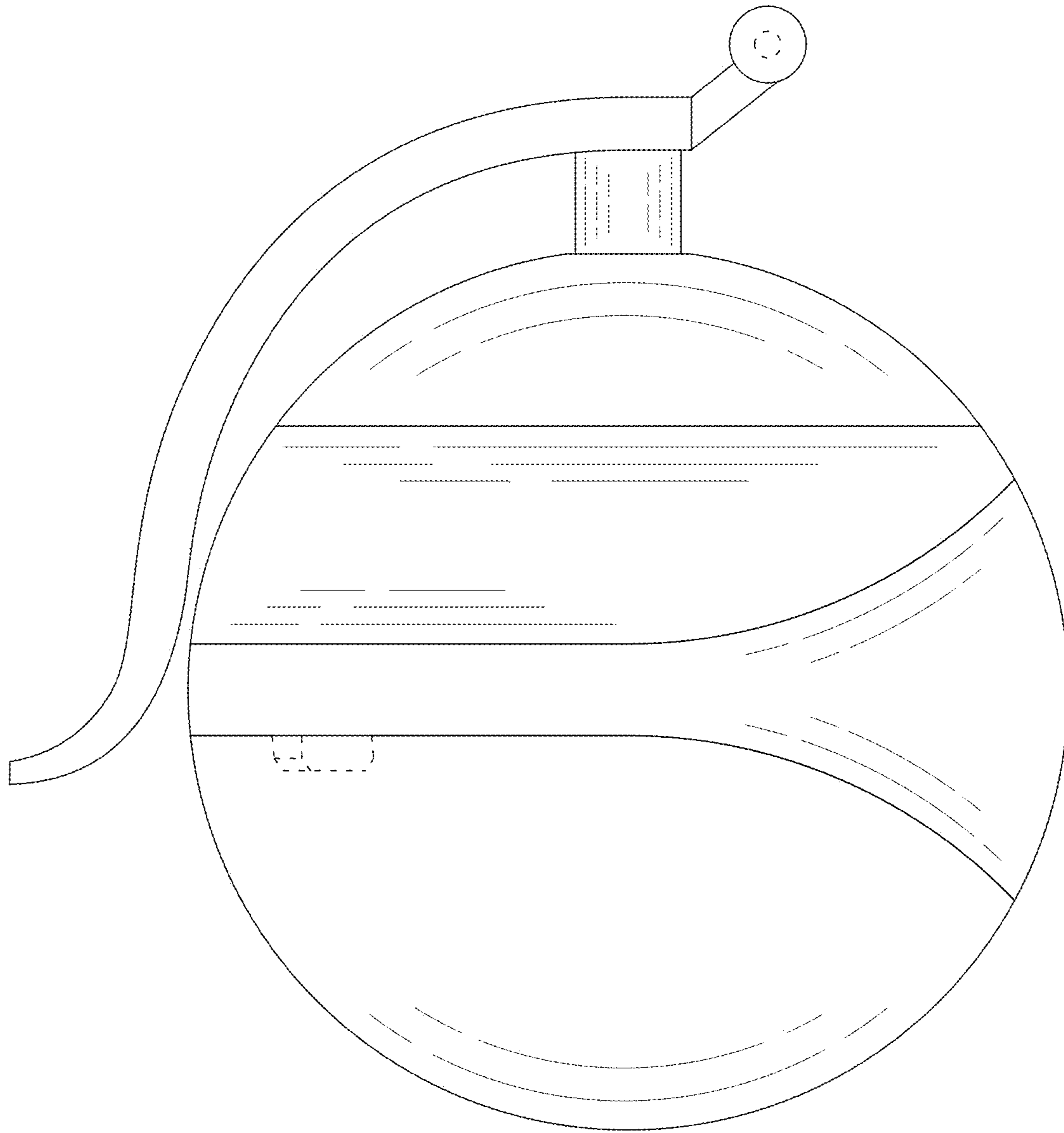


FIG. 3

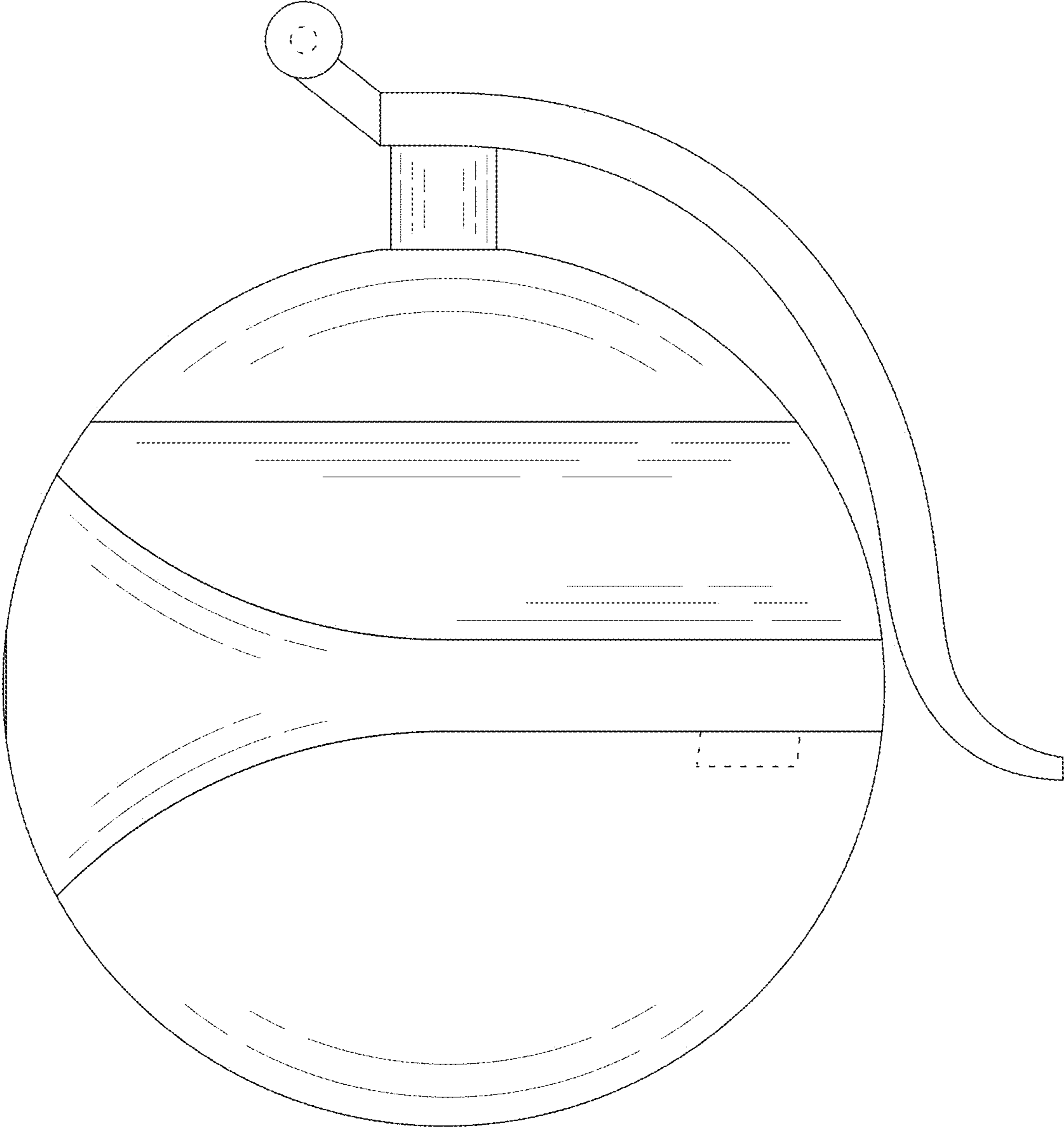


FIG. 4

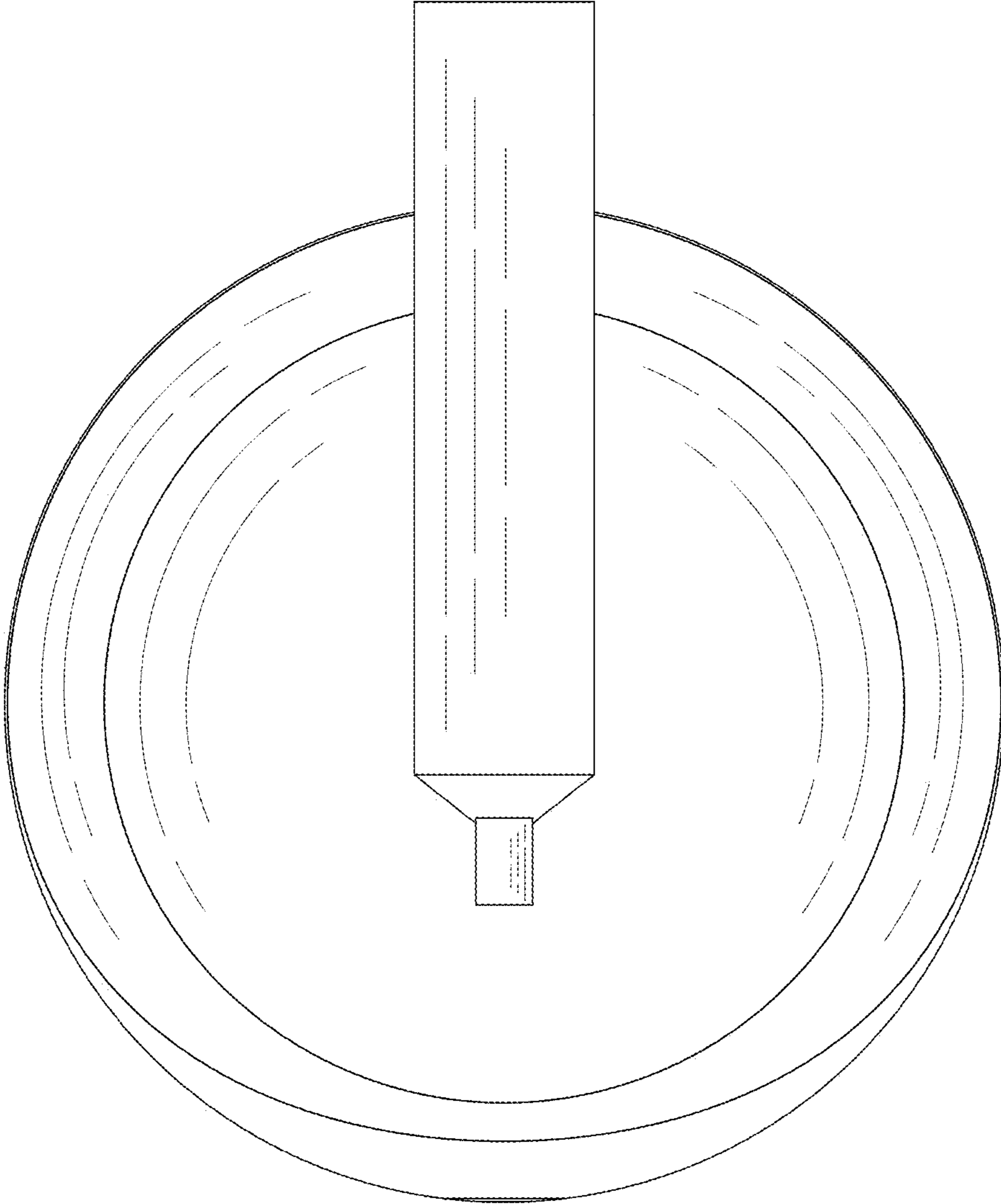


FIG. 5

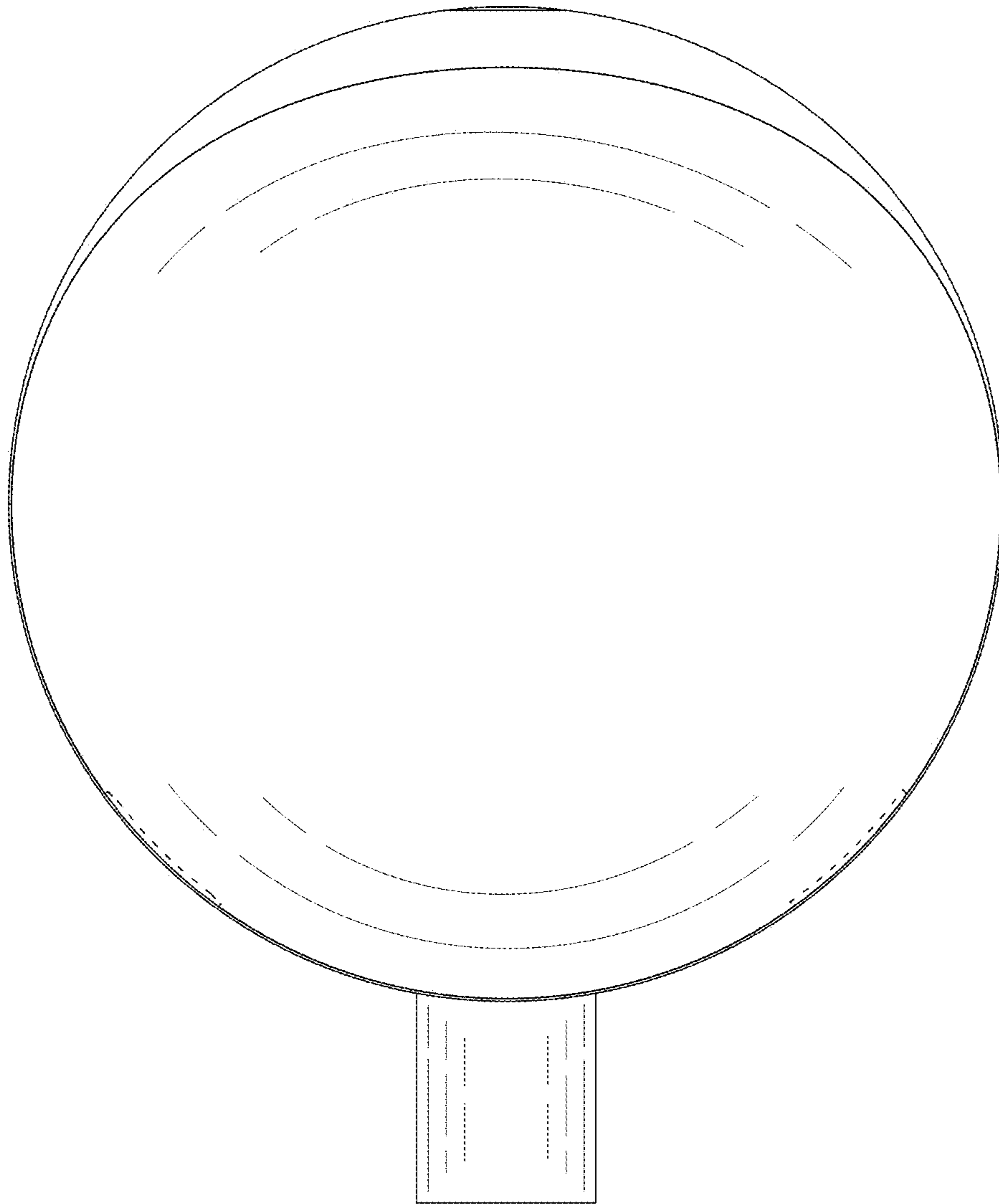


FIG. 6

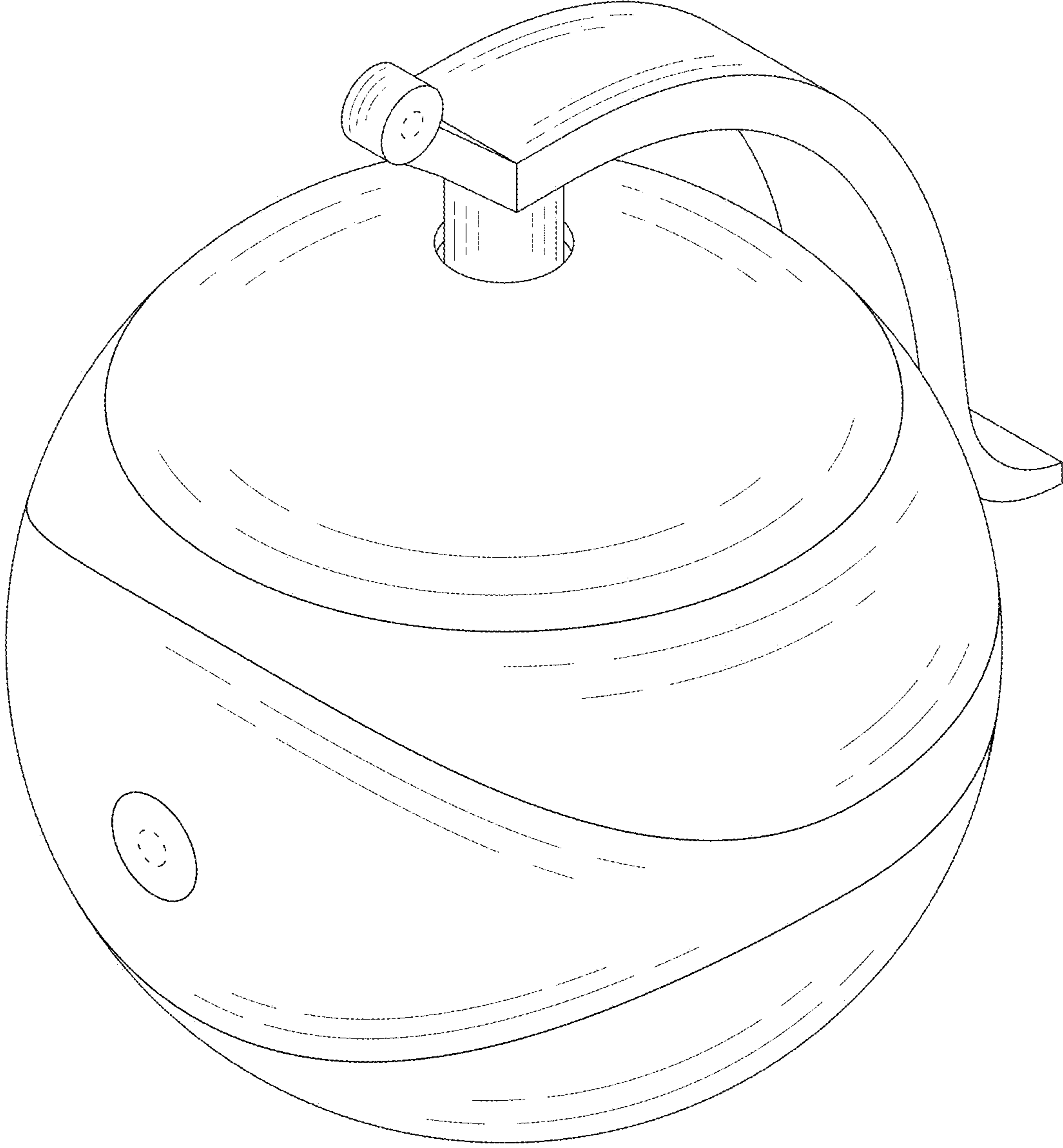


FIG. 7



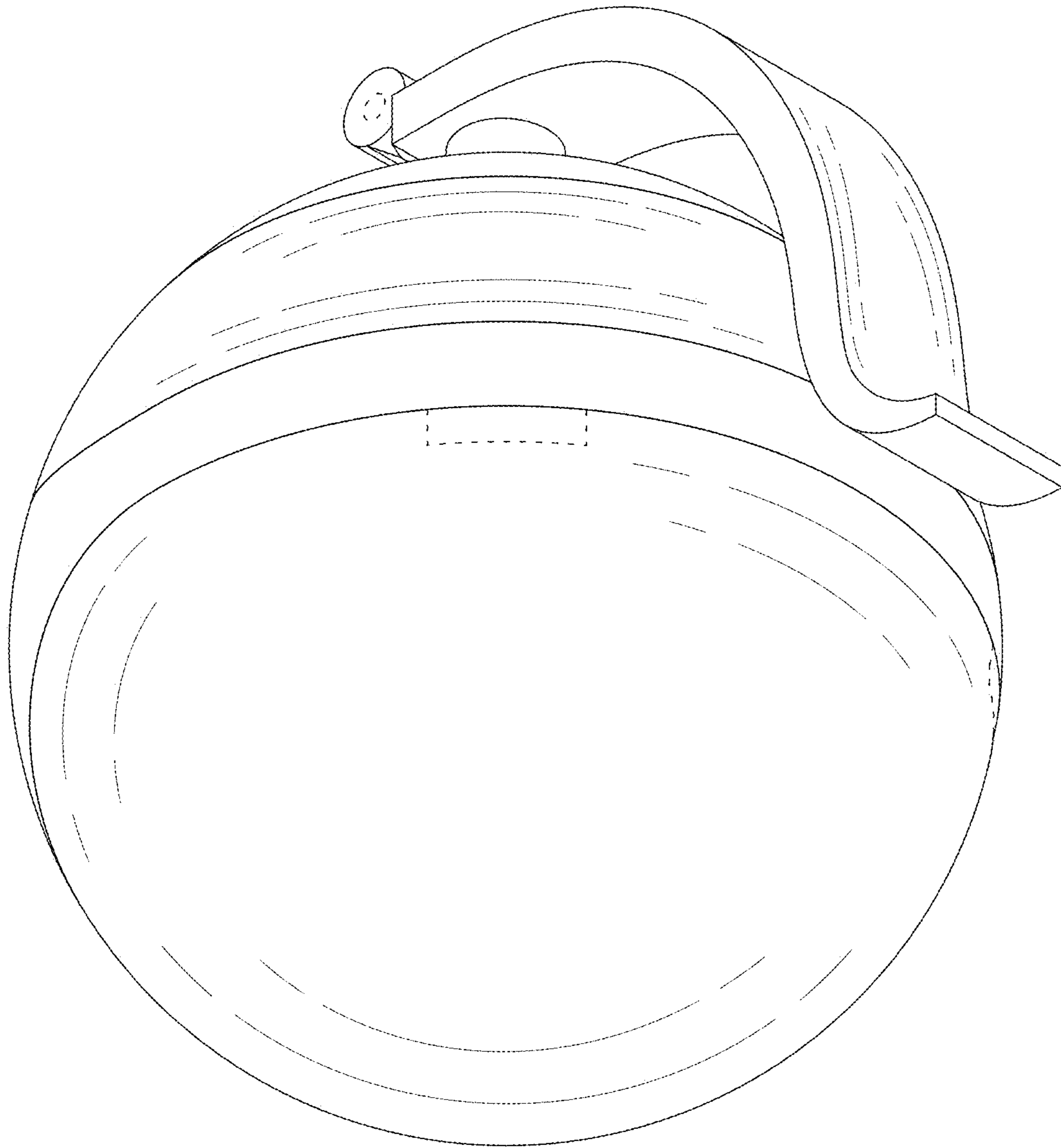


FIG. 8