



US00D973981S

(12) **United States Design Patent** (10) **Patent No.:** **US D973,981 S**  
**Heo** (45) **Date of Patent:** **\*\* Dec. 27, 2022**

- (54) **PET DENTAL CHEW**
- (71) Applicant: **BARKBOX, INC.**, New York, NY (US)
- (72) Inventor: **Vivien Heo**, New York, NY (US)
- (73) Assignee: **BARKBOX, INC.**, New York, NY (US)
- (\*\*) Term: **15 Years**
- (21) Appl. No.: **29/754,309**
- (22) Filed: **Oct. 9, 2020**
- (51) **LOC (13) Cl.** ..... **30-99**
- (52) **U.S. Cl.**  
USPC ..... **D30/160**
- (58) **Field of Classification Search**  
USPC ..... D30/160; D21/803-806; D1/126, 128, D1/129, 199  
CPC .. A01K 15/025; A01K 5/0114; A01K 15/026; A23K 50/40  
See application file for complete search history.

(56) **References Cited**

U.S. PATENT DOCUMENTS

D437,101 S *	2/2001	Debbouz .....	D1/126
D492,836 S *	7/2004	Lawrenson .....	D25/120
7,032,541 B1	4/2006	Tsengas	
D538,507 S	3/2007	Tansey et al.	
D586,077 S *	2/2009	Shulman .....	D1/125
7,506,614 B1	3/2009	Tsengas	
D658,848 S *	5/2012	Wylie .....	D1/101
D661,868 S *	6/2012	Takeda .....	D1/199
D725,868 S *	4/2015	Kimura .....	D1/126
D771,898 S *	11/2016	Albuja .....	D1/126
D804,741 S *	12/2017	Park .....	D30/160
D804,742 S *	12/2017	Park .....	D30/160
D804,743 S *	12/2017	Park .....	D30/160
D857,330 S *	8/2019	Kimura .....	D1/126
D881,507 S *	4/2020	Arnold .....	D1/126
D881,508 S *	4/2020	Arnold .....	D1/126

D881,509 S *	4/2020	Kimura .....	D1/126
D919,900 S *	5/2021	Jaeger .....	D30/160
11,122,820 B2 *	9/2021	Xu .....	A23K 50/40

(Continued)

FOREIGN PATENT DOCUMENTS

WO	2012002966	1/2012
----	------------	--------

OTHER PUBLICATIONS

Bark Bright Small Dental Kit for Dogs, posted at amazon.com, earliest date available Jun. 21, 2021, [online], acquired on Apr. 6, 2022, Available on internet. url:https://www.amazon.com/BARK-Bright-Small-Dental-Count/dp/B0981XS9VT/ref=cm\_cr\_arp\_d\_product\_top?ie=UTF8 (Year: 2021).\*

(Continued)

*Primary Examiner* — Samantha Wood  
*Assistant Examiner* — Aula Soroush  
(74) *Attorney, Agent, or Firm* — Grogan, Tuccillo & Vanderleeden, LLP

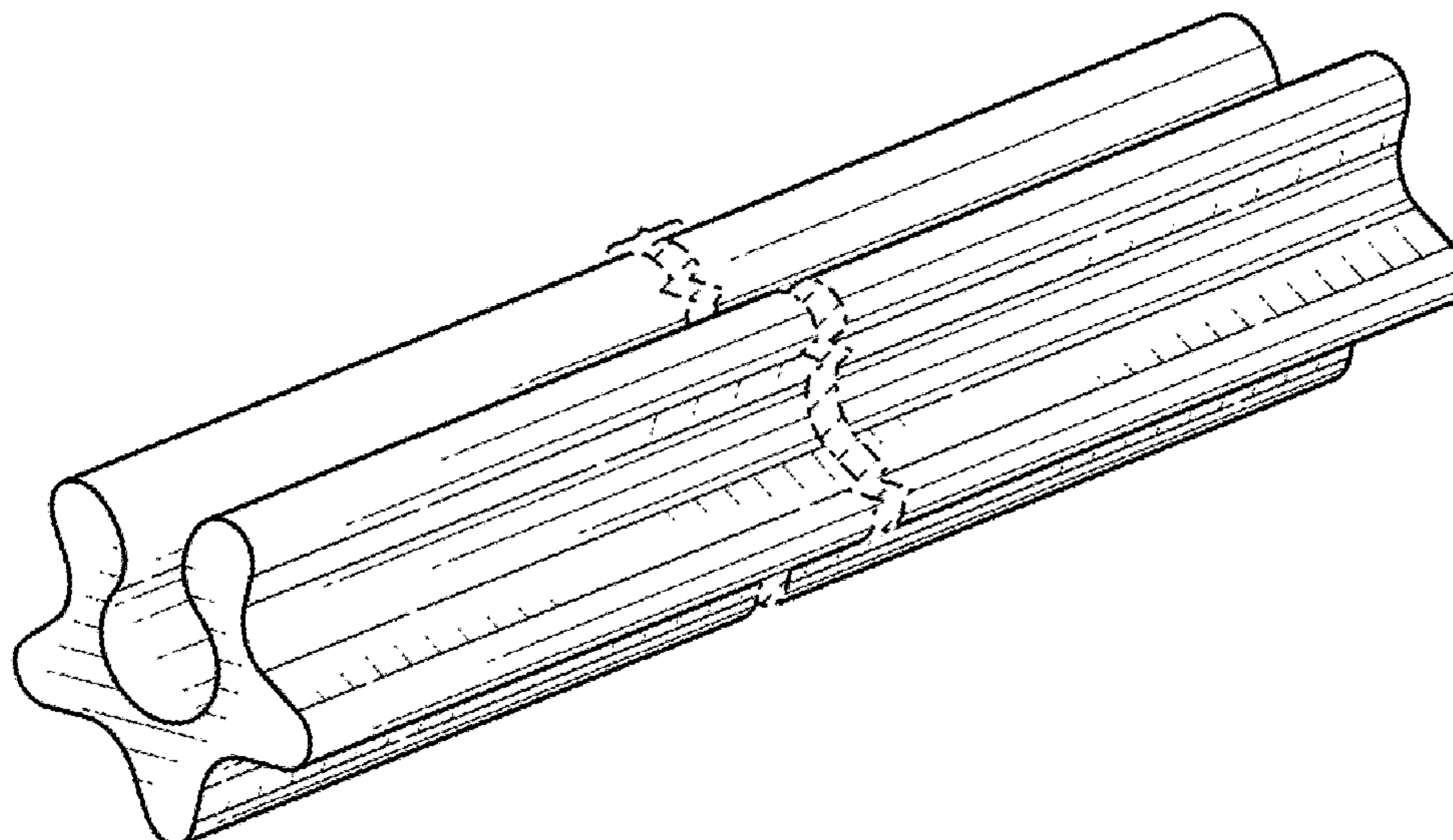
(57) **CLAIM**

The ornamental design for a pet dental chew, as shown and described.

**DESCRIPTION**

FIG. 1 is a perspective view of a pet dental chew showing the new design;  
FIG. 2 is a front view thereof;  
FIG. 3 is a back view thereof;  
FIG. 4 is a left-side elevation view thereof;  
FIG. 5 is a right-side elevation view thereof;  
FIG. 6 is a top view thereof; and,  
FIG. 7 is a bottom view thereof.  
The broken lines illustrate a break in length in the pet dental chew that forms no part of the claimed design. The surface between the break does not form part of the claimed design.

**1 Claim, 2 Drawing Sheets**



(56)

**References Cited**

U.S. PATENT DOCUMENTS

2011/0052661 A1 3/2011 Weiss  
2019/0059569 A1 2/2019 Raku  
2022/0087804 A1\* 3/2022 Werdelin ..... A61D 7/00

OTHER PUBLICATIONS

International Search Report Issued in Corresponding Application  
No. PCT/US2021/051984 dated Dec. 28, 2021.

International Preliminary Report on Patentability Issued in Corre-  
sponding Application No. PCT/US2021/051984 dated Aug. 2, 2022.

\* cited by examiner

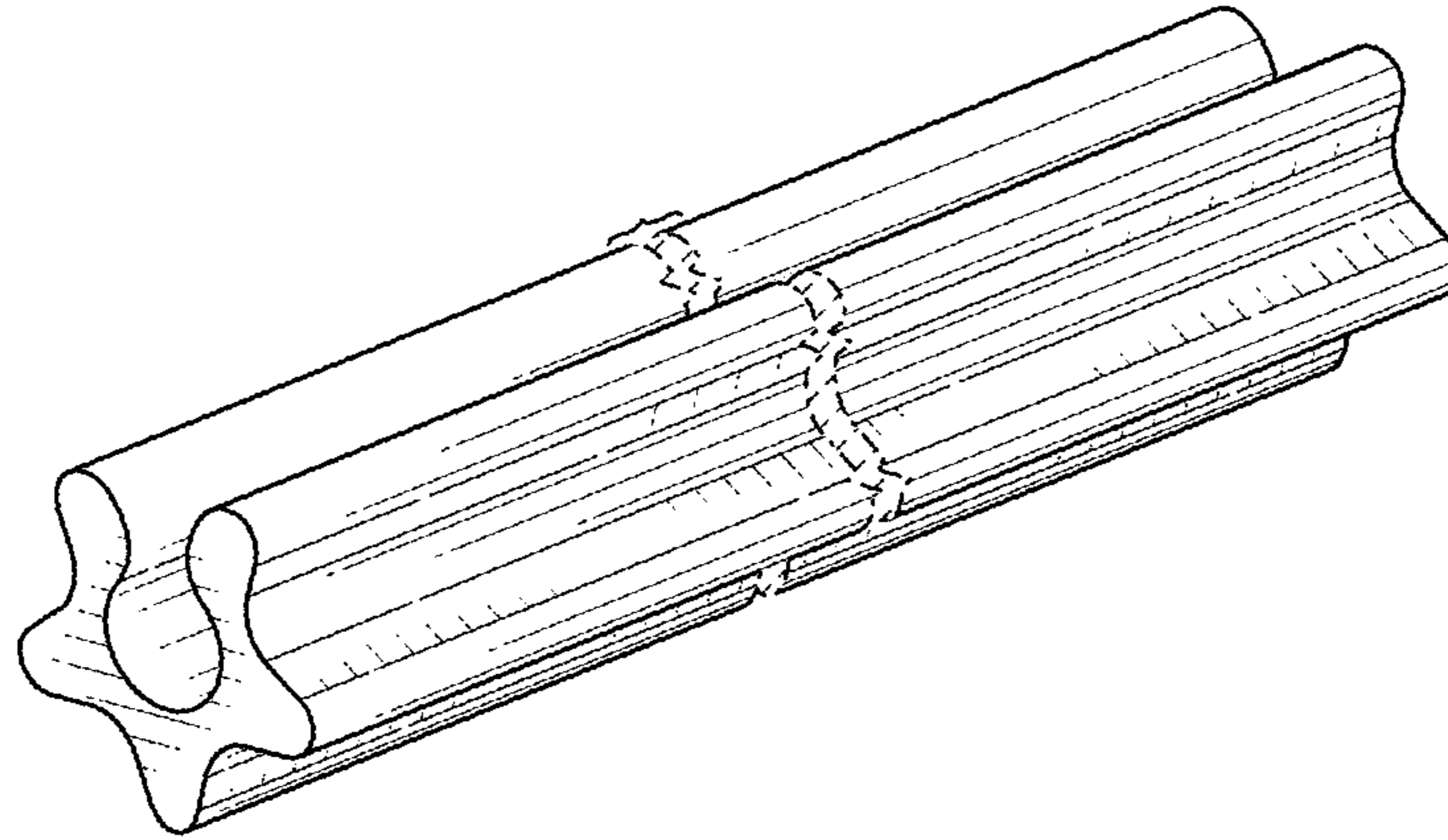


FIG. 1

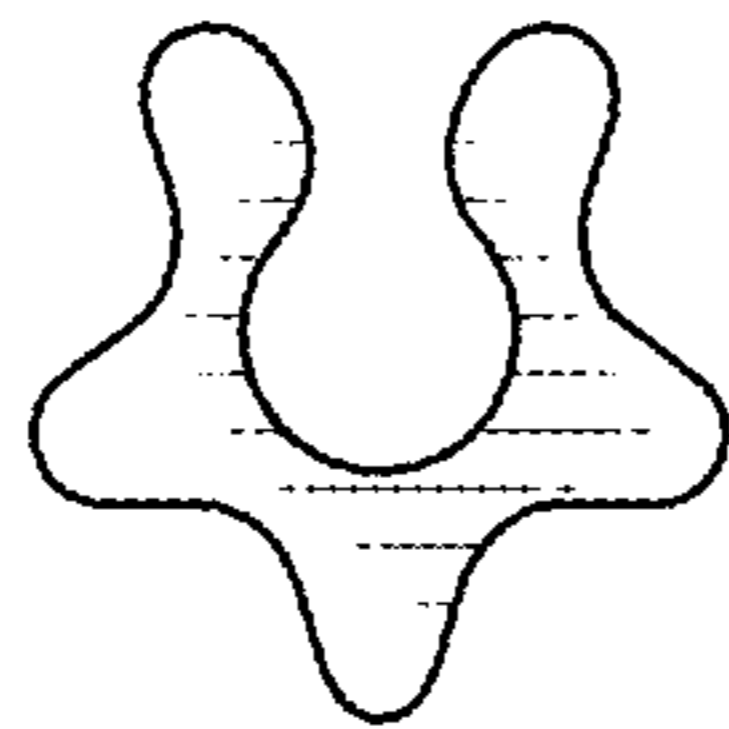


FIG. 2

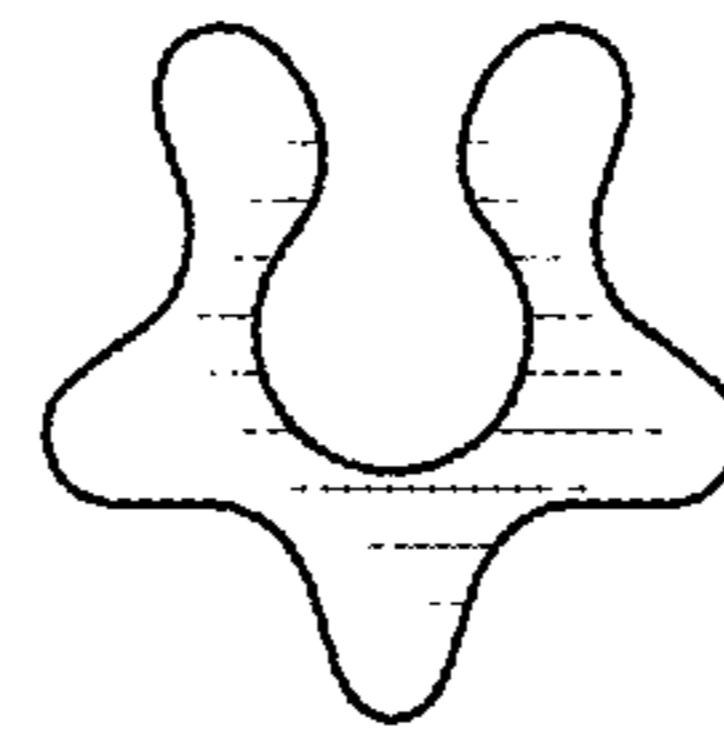


FIG. 3

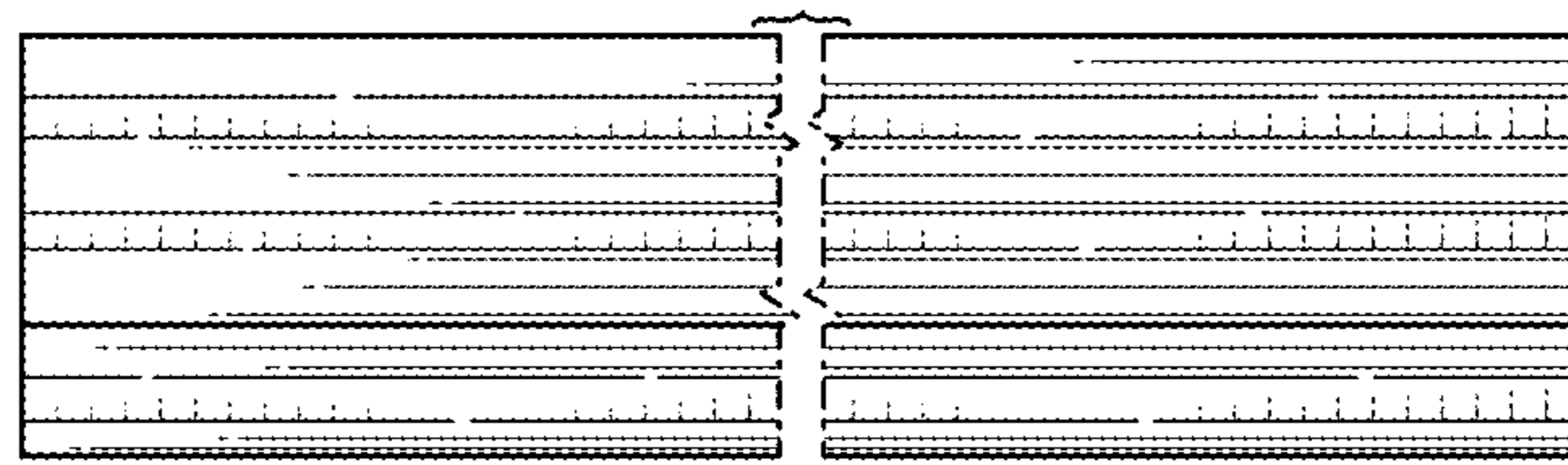


FIG. 4

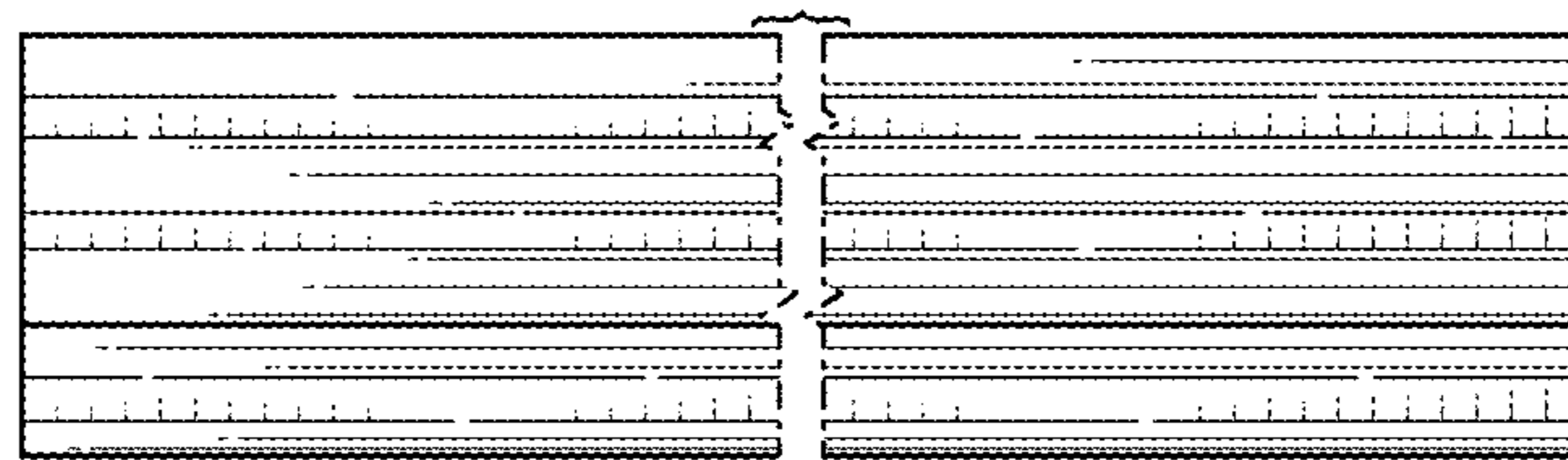


FIG. 5

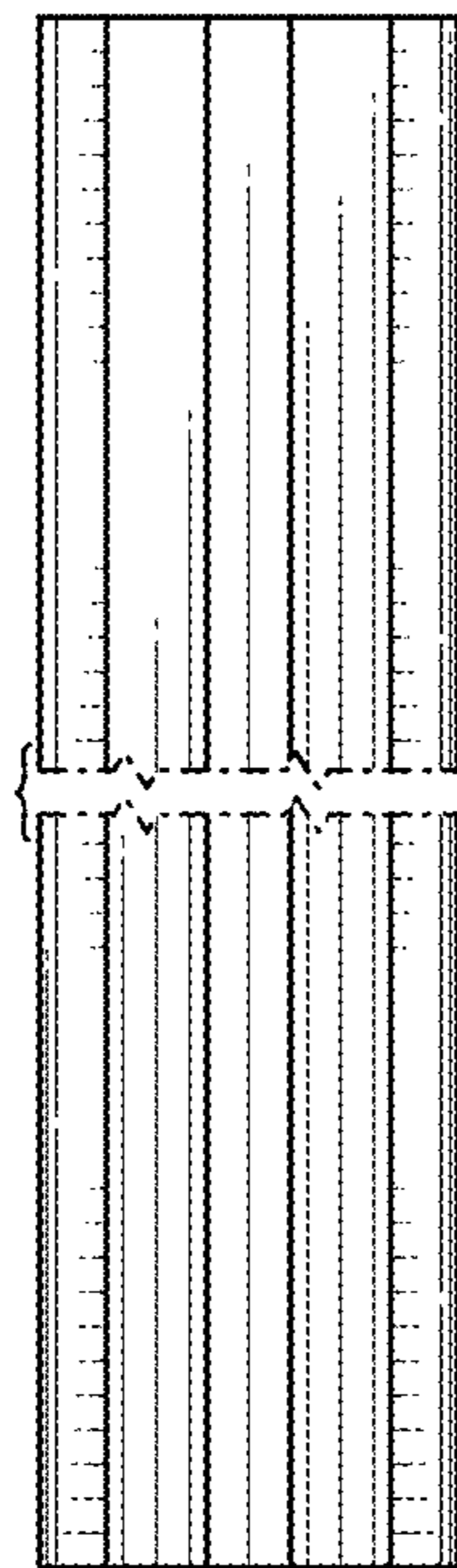


FIG. 6

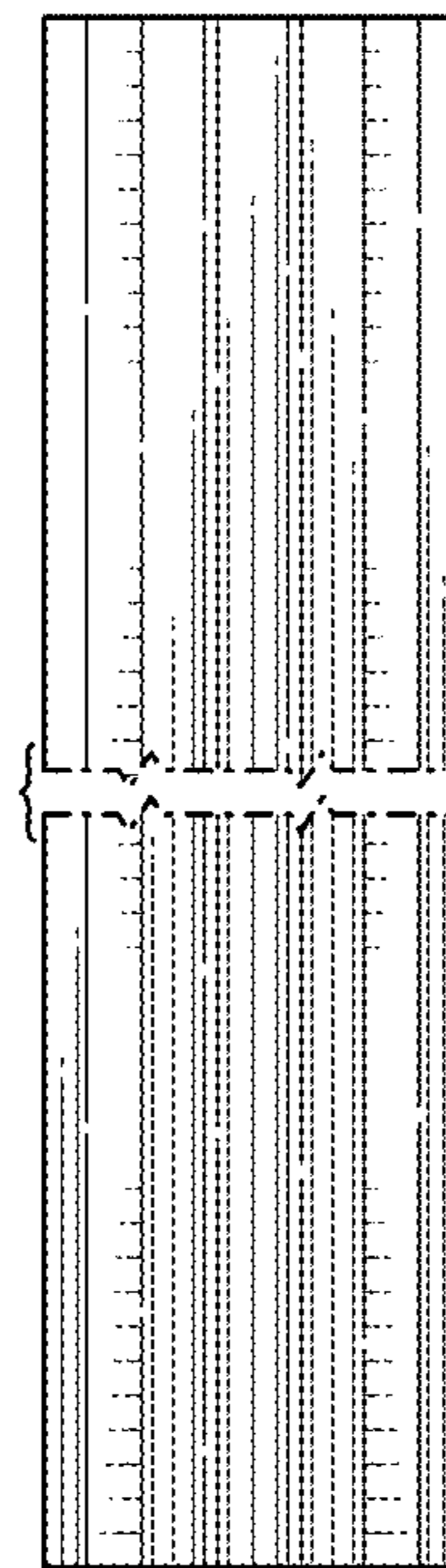


FIG. 7