



US00D973979S

(12) **United States Design Patent**
Zhong

(10) **Patent No.:** **US D973,979 S**

(45) **Date of Patent:** **** Dec. 27, 2022**

(54) **TRAINING COLLAR WITH REMOTE CONTROL**

(71) Applicant: **Shenzhen Yuehuanyu Technology Co., Ltd., Shenzhen (CN)**

(72) Inventor: **Liping Zhong, Guangdong Province (CN)**

(**) Term: **15 Years**

(21) Appl. No.: **29/814,031**

(22) Filed: **Nov. 3, 2021**

(51) **LOC (13) Cl.** **30-04**

(52) **U.S. Cl.**
USPC **D30/152; D30/199**

(58) **Field of Classification Search**
USPC D30/136-137, 144-145, 151-155, 160, D30/199; D10/104.1, 104.2, 106.1; D11/1-6, 201; D14/137, 144, 155, 188, D14/192, 216-218; D29/100, 101.1, D29/101.2, 101.3, 101.4, 101.5, 124; 119/815, 831-832, 859, 863; 362/104, 362/108

CPC .. A01K 27/009; A01K 15/021; A01K 15/022; A01K 27/001; A01K 11/008

See application file for complete search history.

(56) **References Cited**

U.S. PATENT DOCUMENTS

D410,206 S *	5/1999	Slater	D10/104.1
D520,894 S *	5/2006	Zakharyan	D30/199
D553,037 S *	10/2007	Zakharyan	D30/152
D604,779 S *	11/2009	Chan	D21/531
D657,098 S *	4/2012	So	D30/152
D665,952 S *	8/2012	Guo	D30/152
D706,500 S *	6/2014	Hu	D30/152
D742,817 S *	11/2015	Lammers-Meis	D13/103
D761,495 S *	7/2016	Rose-Grant	D30/152
D774,935 S *	12/2016	Liu	D10/104.1
D805,701 S *	12/2017	Li	D10/104.1

D834,769 S *	11/2018	Wen	D10/104.1
D861,259 S *	9/2019	Dong	D30/152
D879,390 S *	3/2020	Cai	D10/104.1
D881,486 S *	4/2020	Li	D10/104.1
D882,188 S *	4/2020	Dong	D30/152
D886,394 S *	6/2020	Dong	D30/152
D890,456 S *	7/2020	Dai	D30/199
D895,908 S *	9/2020	Yan	D14/188
D926,396 S *	7/2021	Jia	D10/104.1
D936,917 S *	11/2021	Li	D10/104.1
D938,668 S *	12/2021	Jia	D10/104.1
D938,669 S *	12/2021	Jia	D10/104.1

(Continued)

OTHER PUBLICATIONS

Bousnic Dog Training Collar, dated to May 17, 2018, amazon.com [online]. Retrieved Sep. 8, 2022 from internet <URL:https://www.amazon.com/Bousnic-Training-Rechargeable-Waterproof-Vibration/dp/B07D526G8Q/> (Year: 2018).*

(Continued)

Primary Examiner — Andrew T Nemeth

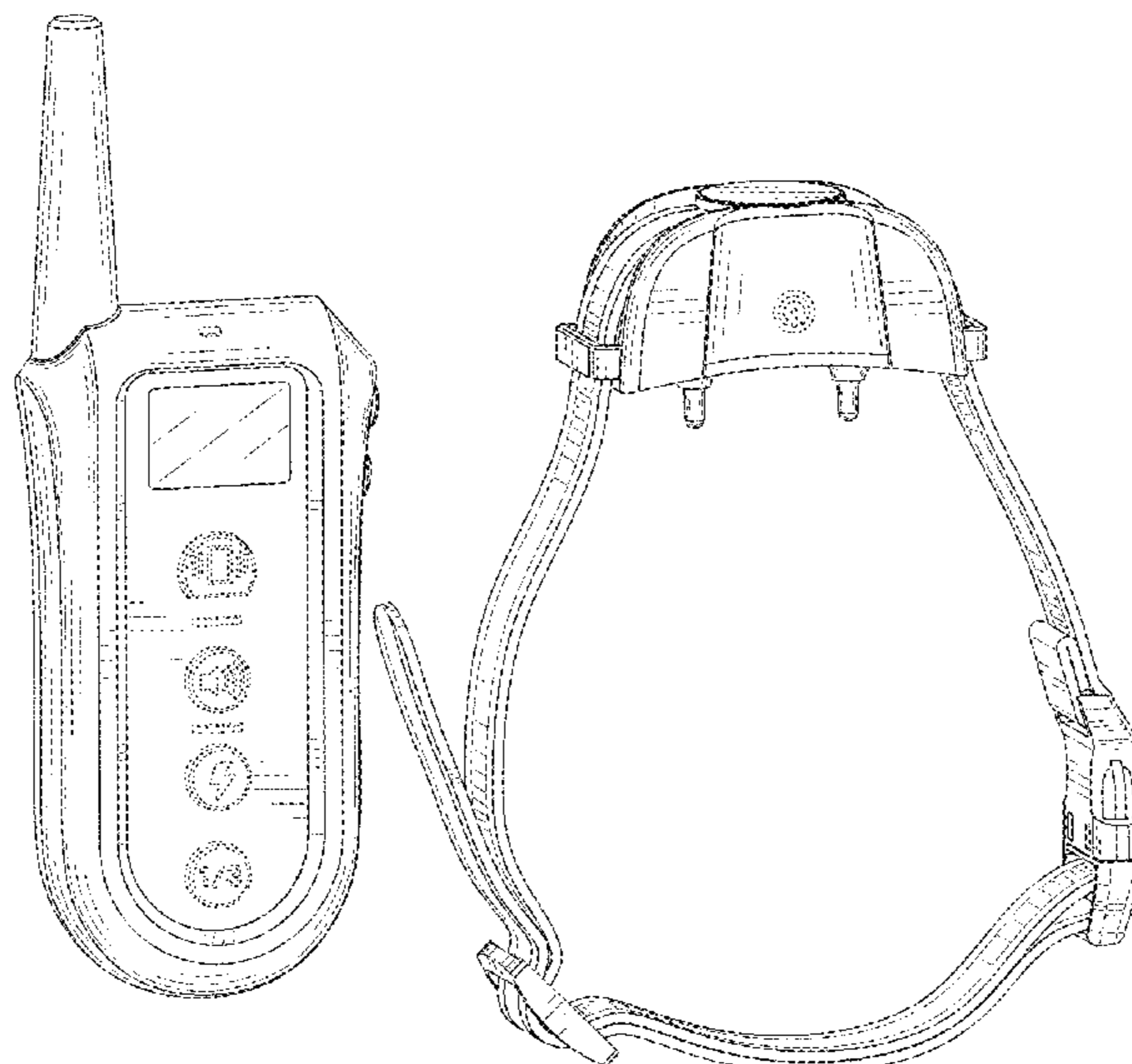
(57) **CLAIM**

The ornamental design for a training collar with remote control, as shown and described.

DESCRIPTION

FIG. 1 is a front and top perspective view of a training collar with remote control, showing my new design; FIG. 2 is a front elevation view thereof; FIG. 3 is a rear elevation view thereof; FIG. 4 is a left side elevation view thereof; FIG. 5 is a right side elevation view thereof; FIG. 6 is a top plan view thereof; and, FIG. 7 is a bottom plan view thereof. The broken lines in the figures illustrate portions of the training collar with remote control that form no part of the claimed design.

1 Claim, 7 Drawing Sheets



(56)

References Cited

U.S. PATENT DOCUMENTS

D950,170	S *	4/2022	Li	D10/104.1
D950,866	S *	5/2022	Wen	D10/104.1
D953,667	S *	5/2022	Li	D30/152
2003/0122678	A1 *	7/2003	Duncan	A01K 15/021 340/384.1
2005/0145199	A1 *	7/2005	Napolez	A01K 15/022 119/718
2005/0145200	A1 *	7/2005	Napolez	A01K 15/022 119/718
2006/0000194	A1 *	1/2006	Duncan	A01K 27/009 54/71
2008/0180256	A1 *	7/2008	Caldwell	A01K 15/021 340/573.3
2014/0261233	A1 *	9/2014	So	A01K 27/009 119/720
2015/0040839	A1 *	2/2015	Goetzl	A01K 15/021 119/720
2018/0132450	A1 *	5/2018	Goetzl	A01K 15/021
2018/0153137	A1 *	6/2018	Goetzl	A01K 29/005
2018/0153138	A1 *	6/2018	Goetzl	A01K 15/029

OTHER PUBLICATIONS

PetSpy X-Pro Dog Training Shock Collar, dated to Oct. 31, 2018, amazon.com [online]. Retrieved Sep. 8, 2022 from internet <URL: <https://www.amazon.com/PetSpy-X-Pro-Dog-Training-Collar/dp/B07H5MVQF1/>> (Year: 2018).*

* cited by examiner



FIG. 1

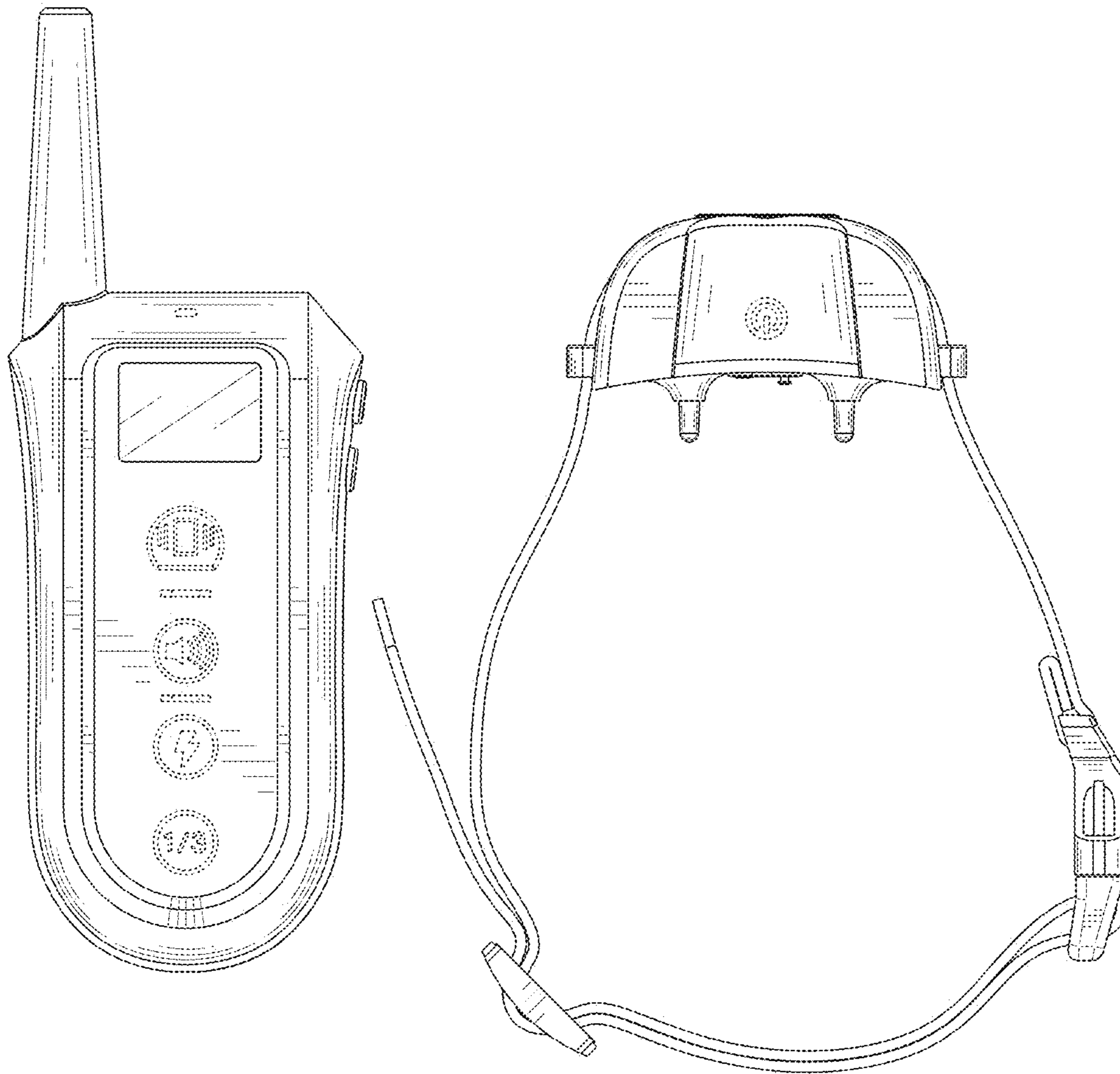


FIG.2

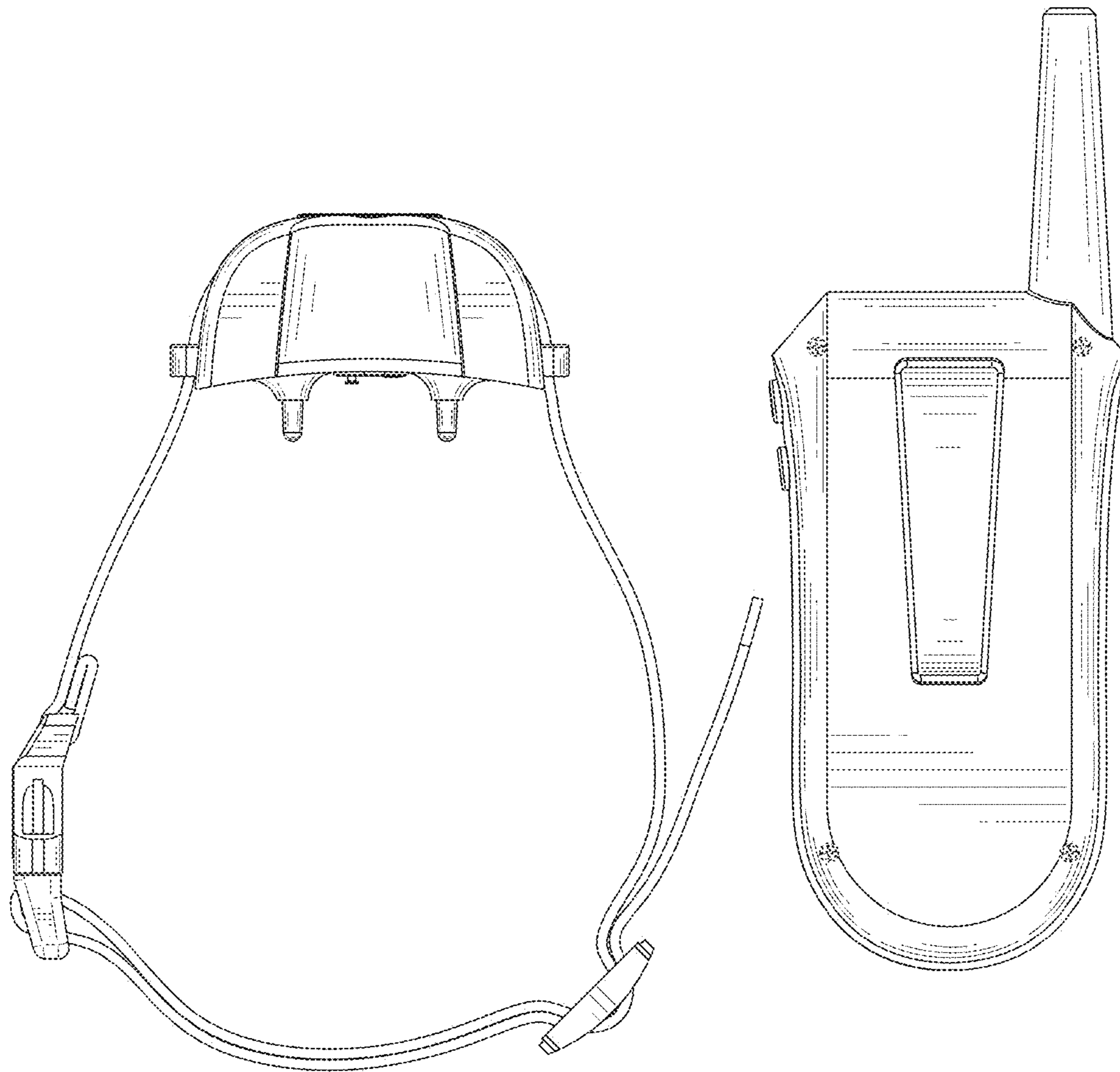


FIG.3

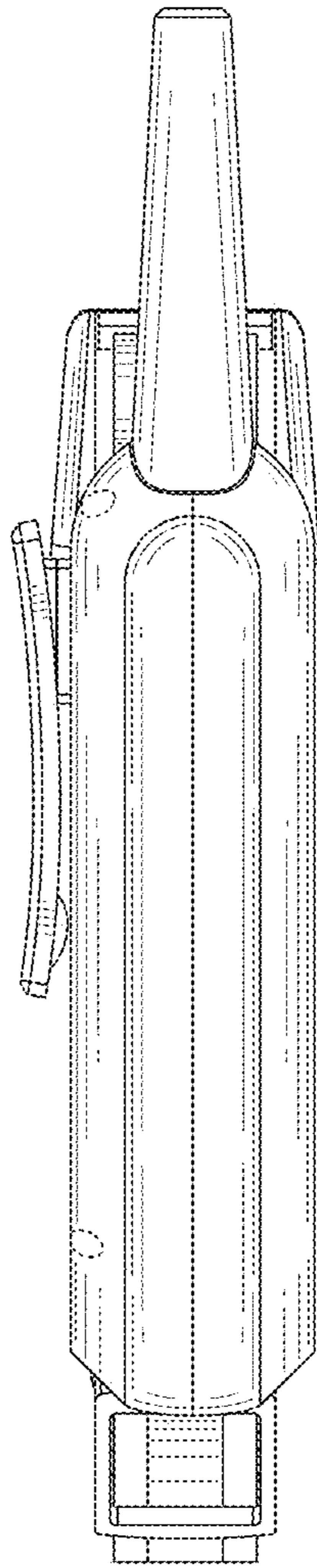


FIG. 4

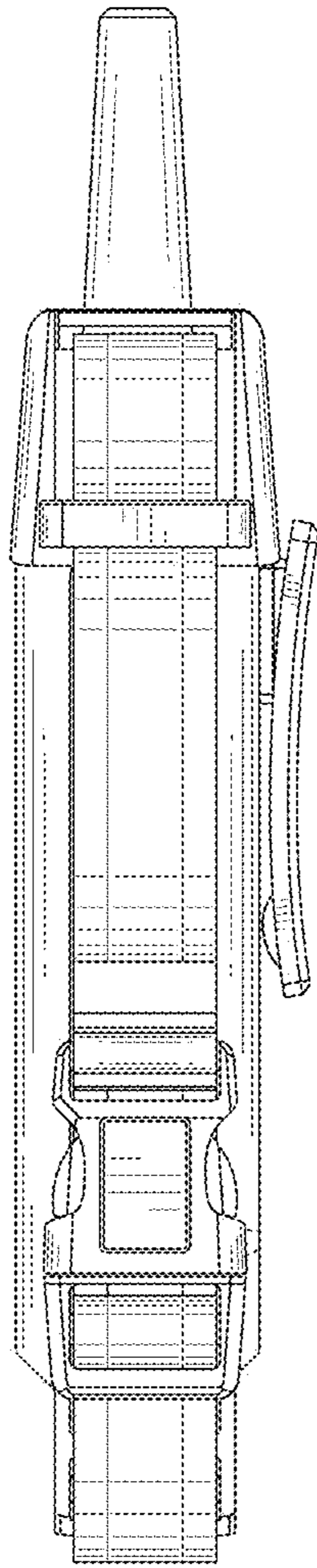


FIG.5

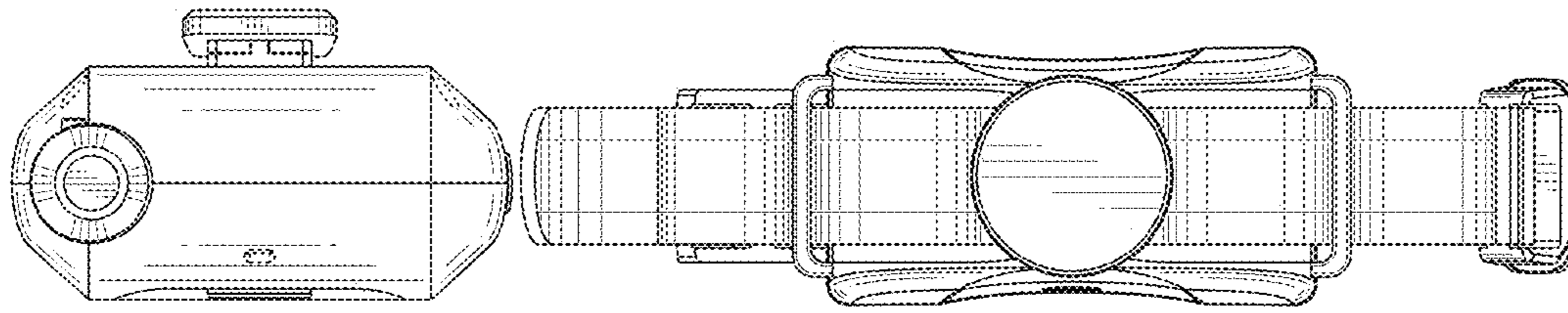


FIG.6

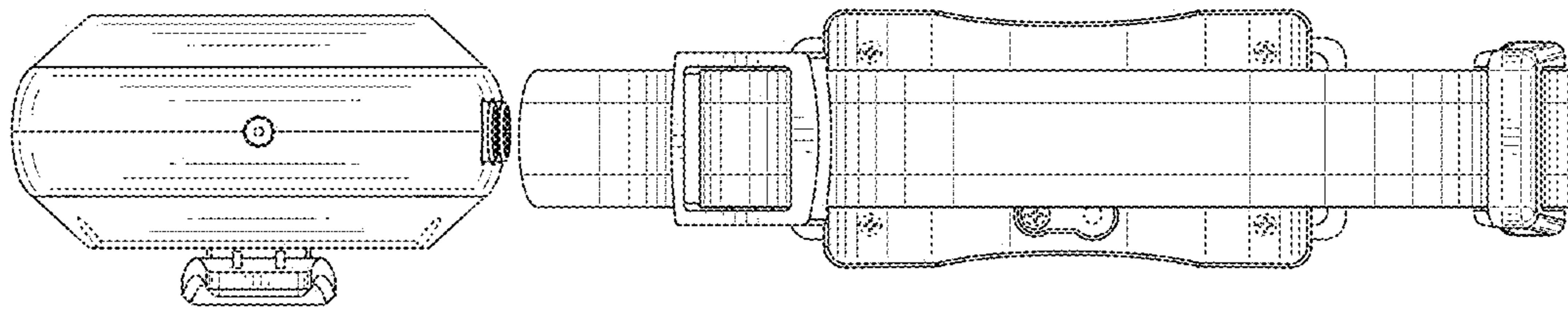


FIG. 7