



US00D973978S

(12) **United States Design Patent** (10) **Patent No.:** **US D973,978 S**
Xu (45) **Date of Patent:** **** Dec. 27, 2022**

(54) **PET HARNESS**

(71) Applicant: **XiaoQing Xu**, Guangdong (CN)

(72) Inventor: **XiaoQing Xu**, Guangdong (CN)

(**) Term: **15 Years**

(21) Appl. No.: **29/798,219**

(22) Filed: **Jul. 7, 2021**

(51) **LOC (13) Cl.** **30-04**

(52) **U.S. Cl.**
USPC **D30/152**; D29/101.3

(58) **Field of Classification Search**
USPC D10/72; D29/101.1, 101.3, 101.4;
D30/145, 152, 153
CPC A01K 25/00; A01K 27/00; A01K 27/001;
A01K 27/002; A01K 27/003; A01K
27/004; A01K 27/005
See application file for complete search history.

(56) **References Cited**

U.S. PATENT DOCUMENTS

D342,348 S *	12/1993	Panarelli	D29/101.1
D364,713 S *	11/1995	Daville	D30/144
D391,682 S *	3/1998	Palembas	D29/101.1
D445,547 S *	7/2001	Howitz	D30/145
D454,986 S *	3/2002	Casebolt	D29/101.1
D608,055 S *	1/2010	Rieger	D29/101.1
D634,895 S *	3/2011	Ross	D29/101.1
D713,996 S *	9/2014	Collett	D29/101.1
9,332,734 B1 *	5/2016	Hege	A01K 13/006
D823,556 S *	7/2018	Yun	D30/152
D862,005 S *	10/2019	Gabriele	D30/152
D907,311 S *	1/2021	Guo	D30/152
D915,002 S *	3/2021	Sebo	D30/152
D918,492 S *	5/2021	Guo	D30/152
D920,597 S *	5/2021	Guo	D30/152

D927,093 S *	8/2021	Li	D30/152
D936,914 S *	11/2021	Deng	D30/152
D964,664 S *	9/2022	Huang	D30/152
2016/0332595 A1 *	11/2016	Templeton	A01K 27/002
2022/0142124 A1 *	5/2022	Stevens	A01K 27/002

FOREIGN PATENT DOCUMENTS

CN 307404862 * 6/2022

OTHER PUBLICATIONS

Voyager Step-in Lock Dog Harness, available in Amazon.com, date first available Jan. 23, 2020 [online], [site visited Sep. 26, 2022], Available from the internet URL: <https://www.amazon.com/Best-Pet-Supplies-Inc-Voyager/dp/B0844WWV2> (Year: 2020).*

* cited by examiner

Primary Examiner — Jennifer L Rempfer
Assistant Examiner — Elizabeth Anne Glassberg

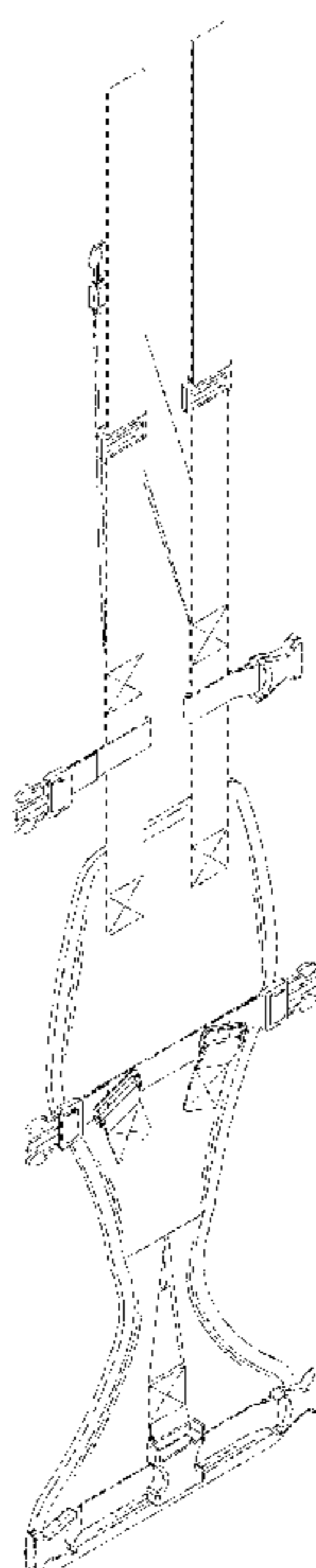
(57) **CLAIM**

The ornamental design for a pet harness, as shown and described.

DESCRIPTION

FIG. 1 is a perspective view of a pet harness showing my new design;
FIG. 2 is a front elevational view thereof;
FIG. 3 is a top plan view thereof;
FIG. 4 is a left side elevational view thereof;
FIG. 5 is a rear elevational view thereof;
FIG. 6 is a right side elevational view thereof; and,
FIG. 7 is a bottom plan view thereof.
The broken lines shown in the figures are for the purpose of illustrating portions of the pet harness, which form no part of the claimed design.

1 Claim, 7 Drawing Sheets



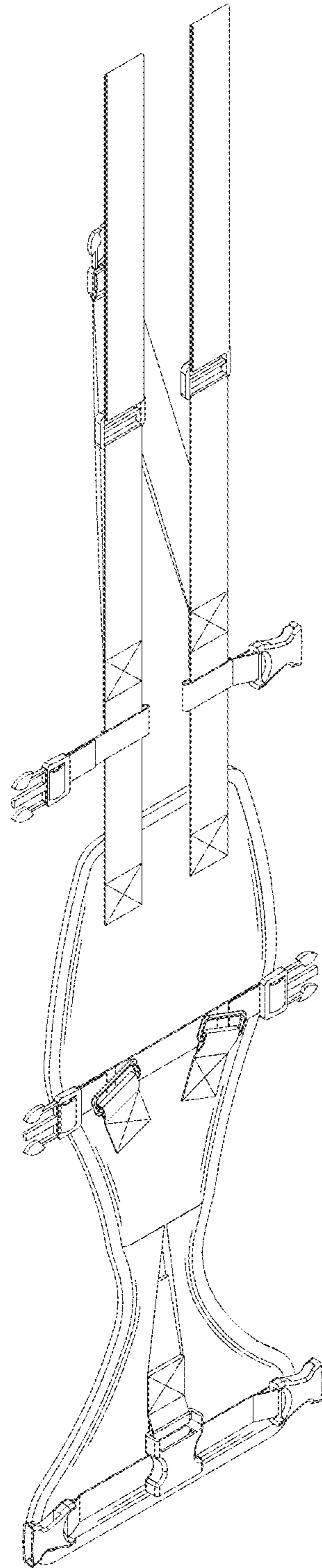


FIG. 1

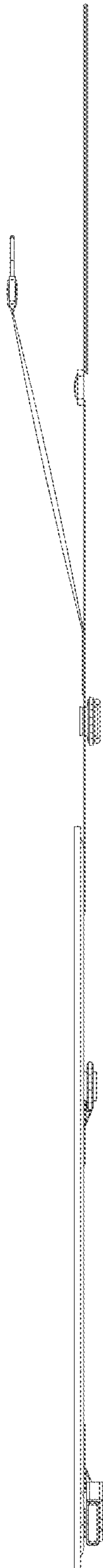


FIG. 2

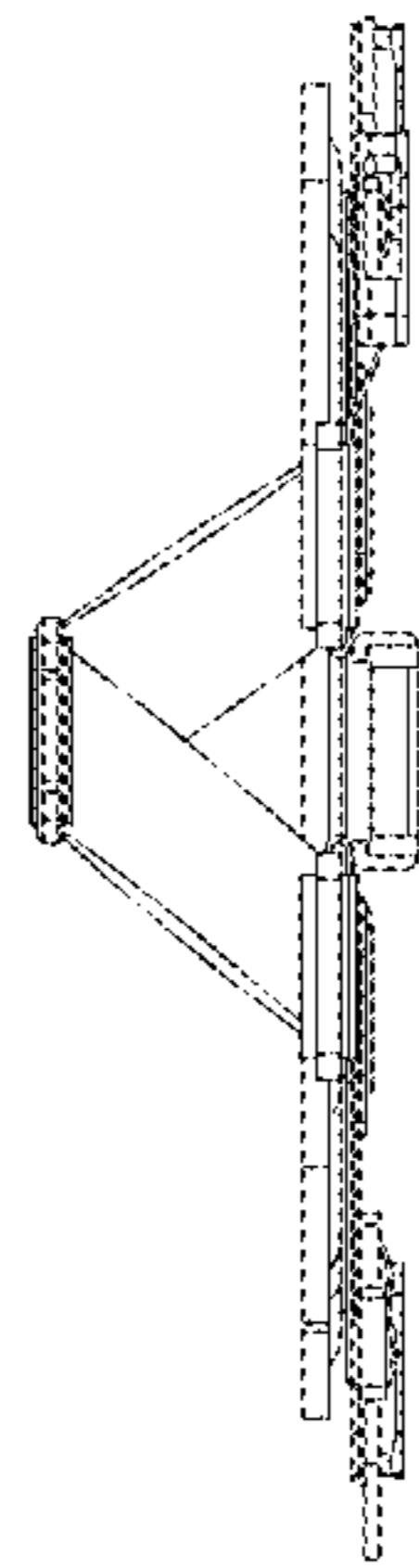


FIG. 3

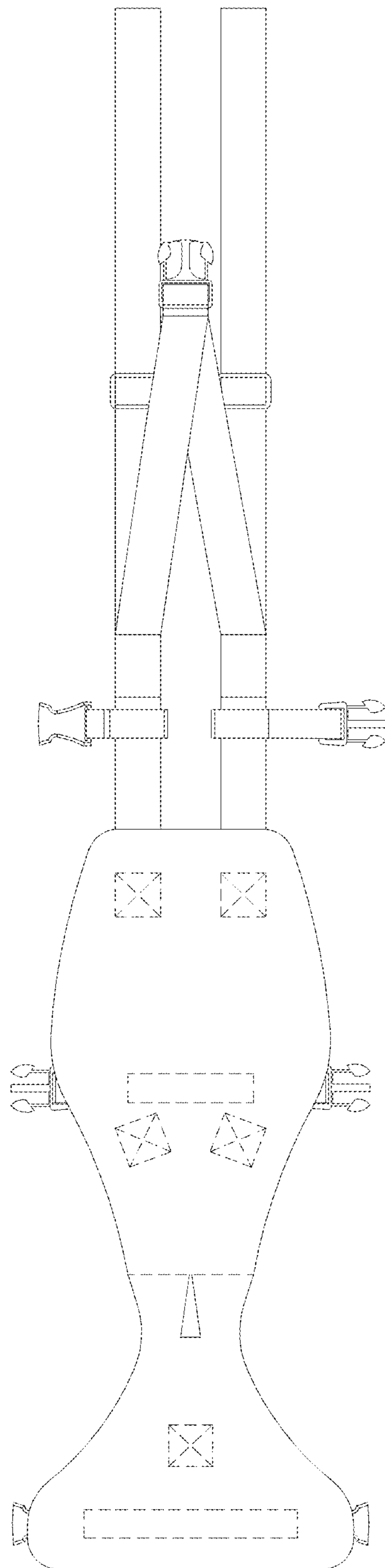


FIG. 4

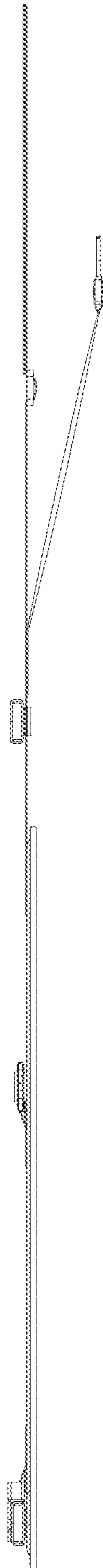


FIG. 5

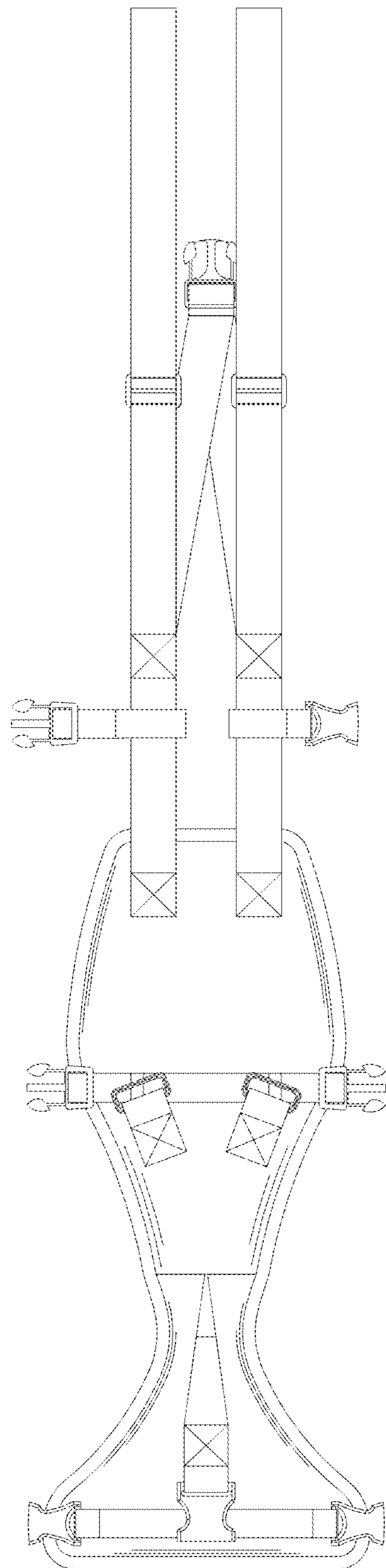


FIG. 6

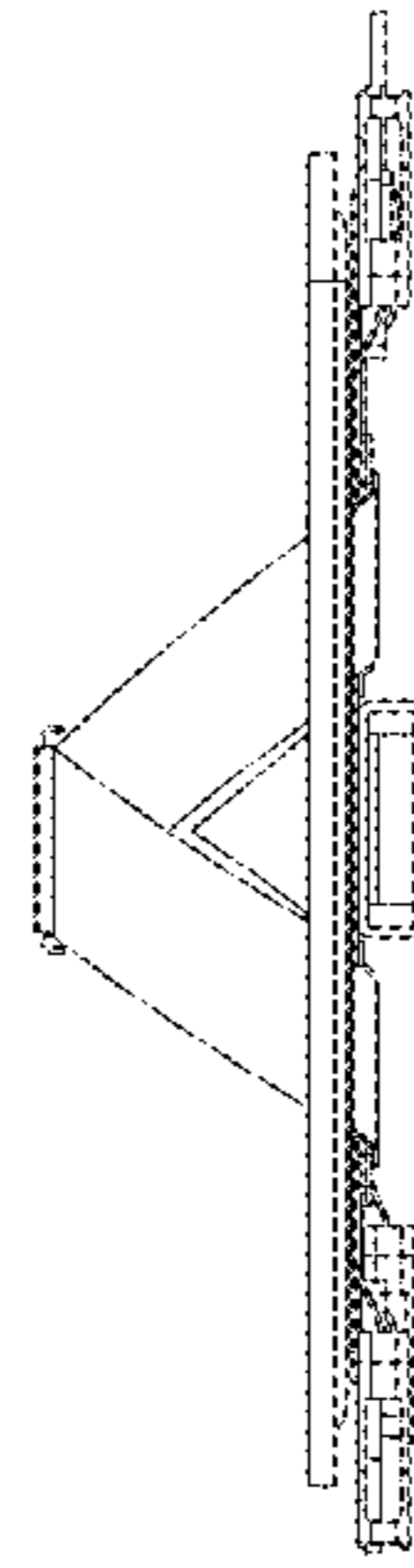


FIG. 7