



US00D973975S

(12) **United States Design Patent**  
**Liu**

(10) **Patent No.:** **US D973,975 S**  
(45) **Date of Patent:** **\*\* Dec. 27, 2022**

(54) **TACTICAL DOG HARNESS**

- (71) Applicant: **Nanjing Lantu Trading Co., Ltd.**,  
Nanjing (CN)
- (72) Inventor: **Zhixing Liu**, Nanjing (CN)
- (73) Assignee: **Nanjing Lantu Trading Co., Ltd.**,  
Nanjing (CN)
- (\*\*) Term: **15 Years**
- (21) Appl. No.: **29/787,778**
- (22) Filed: **Jun. 8, 2021**
- (51) **LOC (13) Cl.** ..... **30-04**
- (52) **U.S. Cl.**  
USPC ..... **D30/152**
- (58) **Field of Classification Search**  
USPC ..... D30/144, 145, 151, 152; D29/101.1,  
D29/101.3, 101.4, 101.5; D24/190  
CPC ..... A01K 27/002  
See application file for complete search history.

(56) **References Cited**

**U.S. PATENT DOCUMENTS**

D883,577 S *	5/2020	Neal	.....	D29/101.3
D886,395 S *	6/2020	Han	.....	D30/152
D893,811 S *	8/2020	Wu	.....	D30/152
D896,449 S *	9/2020	Dang	.....	D30/152
D908,980 S *	1/2021	Li	.....	D30/152
D908,981 S *	1/2021	Guo	.....	D30/152
D911,631 S *	2/2021	Stouder	.....	D30/152
D912,912 S *	3/2021	Chen	.....	D30/152
D914,302 S	3/2021	Chen		
2010/0199927 A1 *	8/2010	Cigard	.....	A01K 13/00 119/850
2019/0124890 A1 *	5/2019	Kath	.....	A01K 1/0263
2020/0113728 A1 *	4/2020	Spector	.....	A61B 5/14542
2020/0245592 A1 *	8/2020	Wagner	.....	A01K 27/005
2020/0404887 A1 *	12/2020	Akenhead	.....	A01K 1/0263

**OTHER PUBLICATIONS**

“IceFang: Tactical Molle Harness, No-Pull, Y-Front”. Found online Apr. 15, 2022 at amazon.com. Reference dated May 23, 2020. Retrieved from <https://www.amazon.com/ICEFANG-Tactical-Harness-Training-Attachment/dp/B08JPR8BP8?th=1>.\*

“RabbitGoo: Tactical Molle Harness, No-Pull”. Found online Apr. 20, 2022 at amazon.com. Reference dated Dec. 2, 2019. Retrieved from <https://www.amazon.com/rabbitgoo-Tactical-Military-Adjustable-31-5-41-3/dp/B0828PFJLY/>.\*

“ThinkPet: No-Pull Breathable Sport-Dog Harness”. Found online Dec. 28, 2021 at amazon.co.uk. Reference dated Jul. 19, 2018. Retrieved from <https://www.amazon.co.uk/dp/B07FN4HNXM/>.\*

“Patriot Outfitters: Condor Ops Chest Rig (Molle)”. Found online Apr. 15, 2022 at patriotoutfitters.com. Reference dated May 14, 2015. Retrieved from <https://www.patrioutfitters.com/condor-ops-chest-rig?PMWTNO=000000000003058&PMSRCH=>.\*

\* cited by examiner

*Primary Examiner* — Kendra Leslie Hamilton  
(74) *Attorney, Agent, or Firm* — Zhihua Han; Wen IP LLC

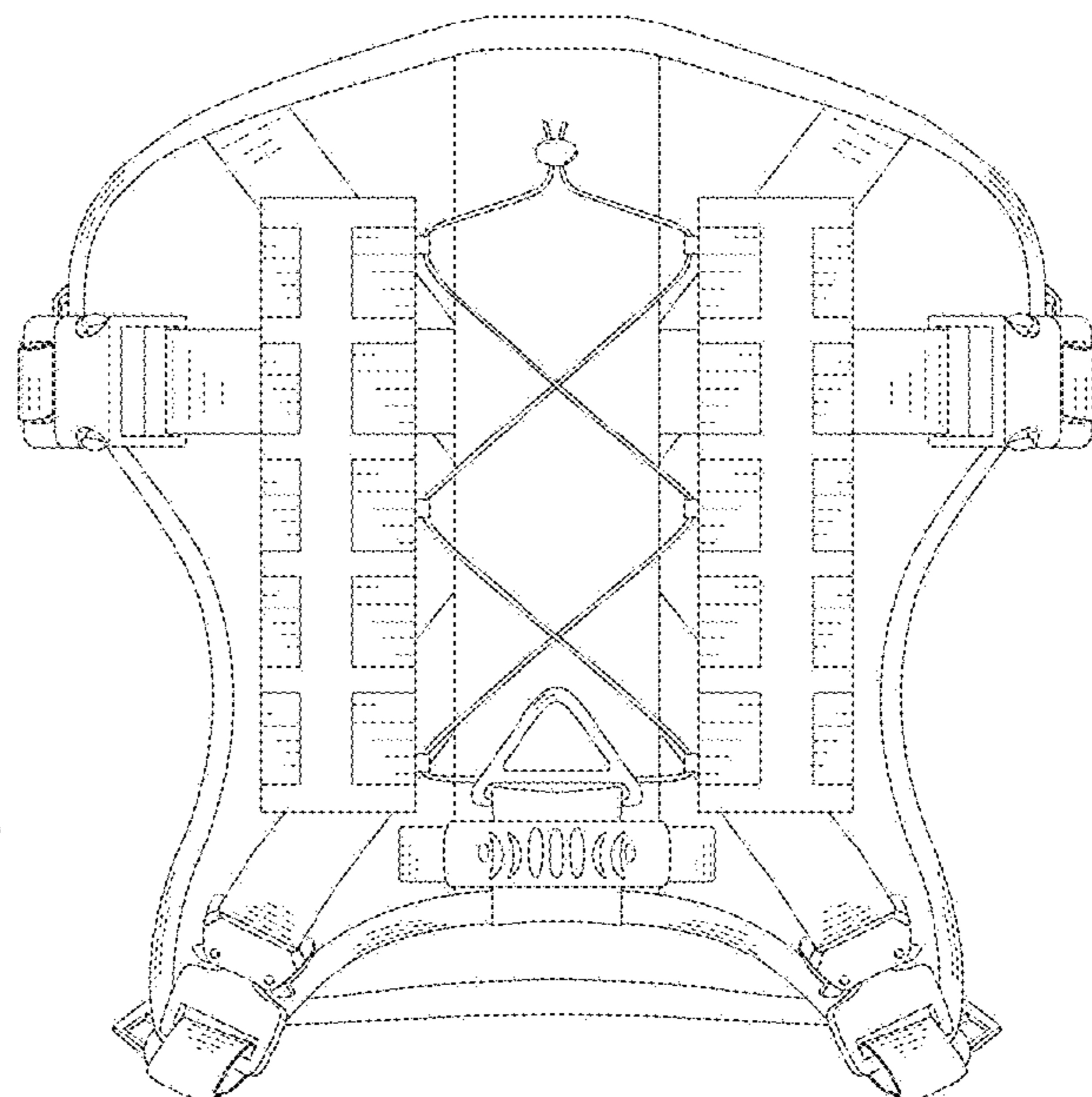
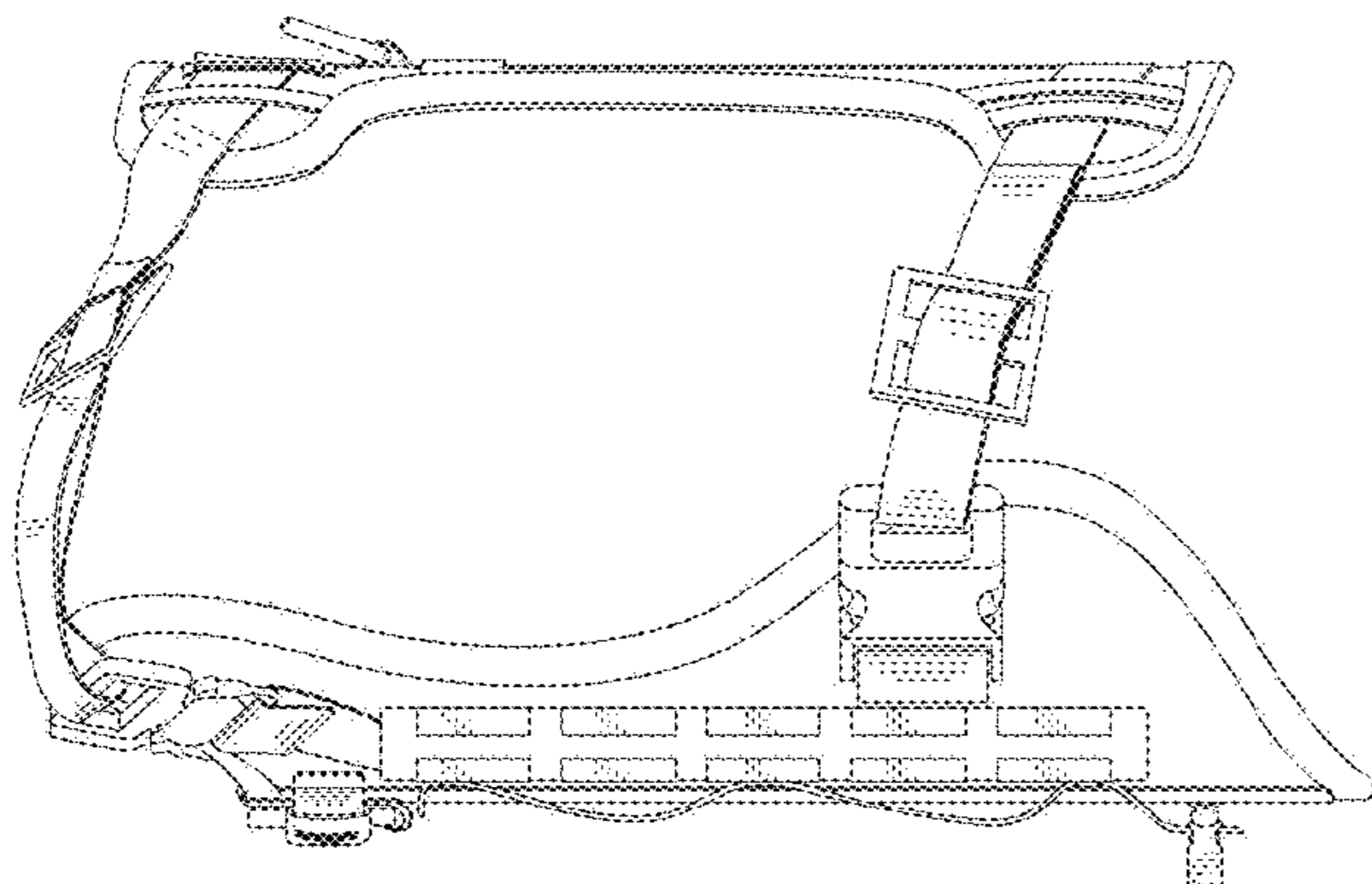
(57) **CLAIM**

The ornamental design for a tactical dog harness, as shown and described.

**DESCRIPTION**

FIG. 1 is a perspective view of a tactical dog harness, showing my new design;  
FIG. 2 is a front elevation view thereof;  
FIG. 3 is a rear elevation view thereof;  
FIG. 4 is a left side elevation view thereof;  
FIG. 5 is a right side elevation view thereof;  
FIG. 6 is a top plan view thereof; and,  
FIG. 7 is a bottom plan view thereof.

**1 Claim, 7 Drawing Sheets**



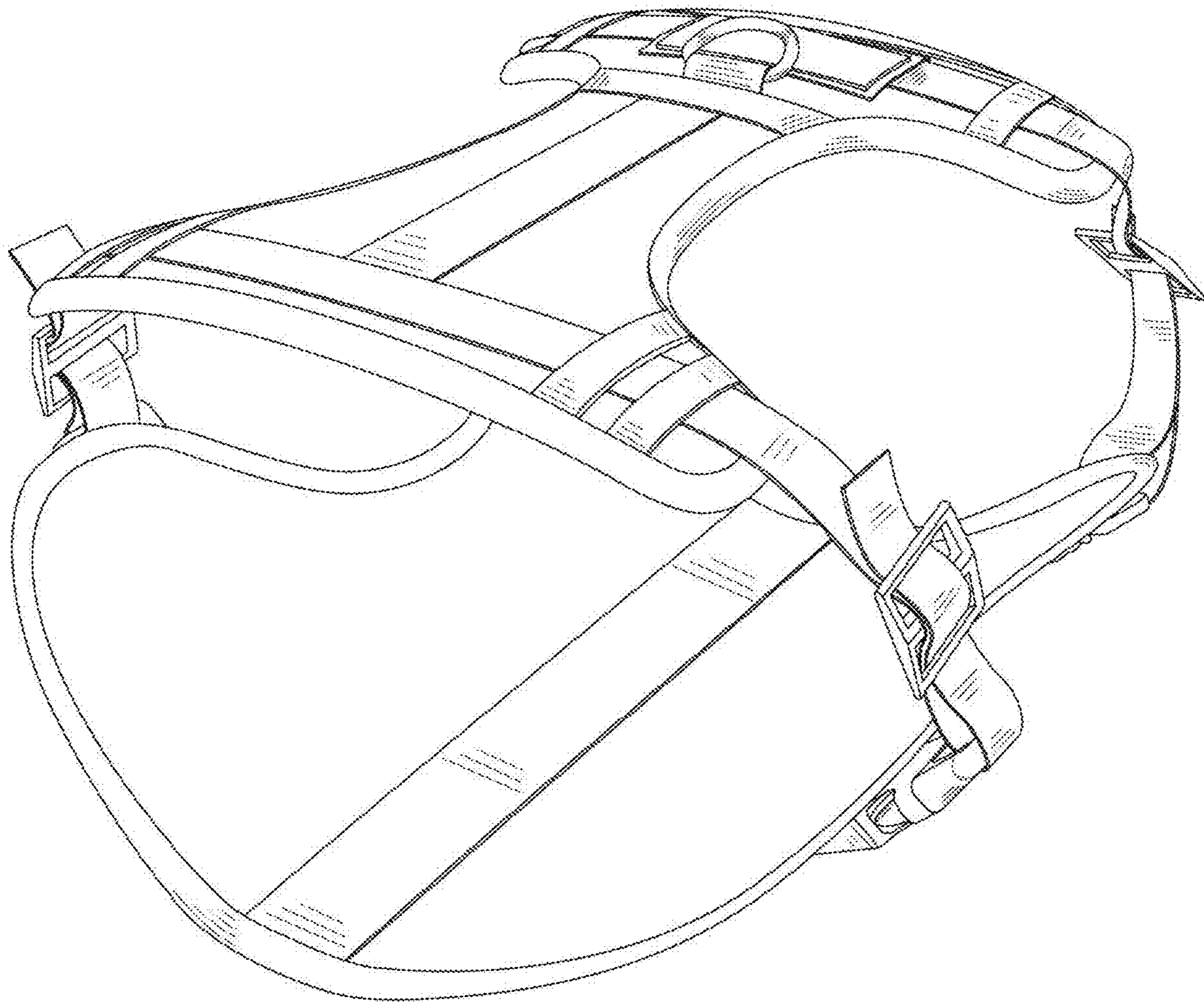


FIG. 1

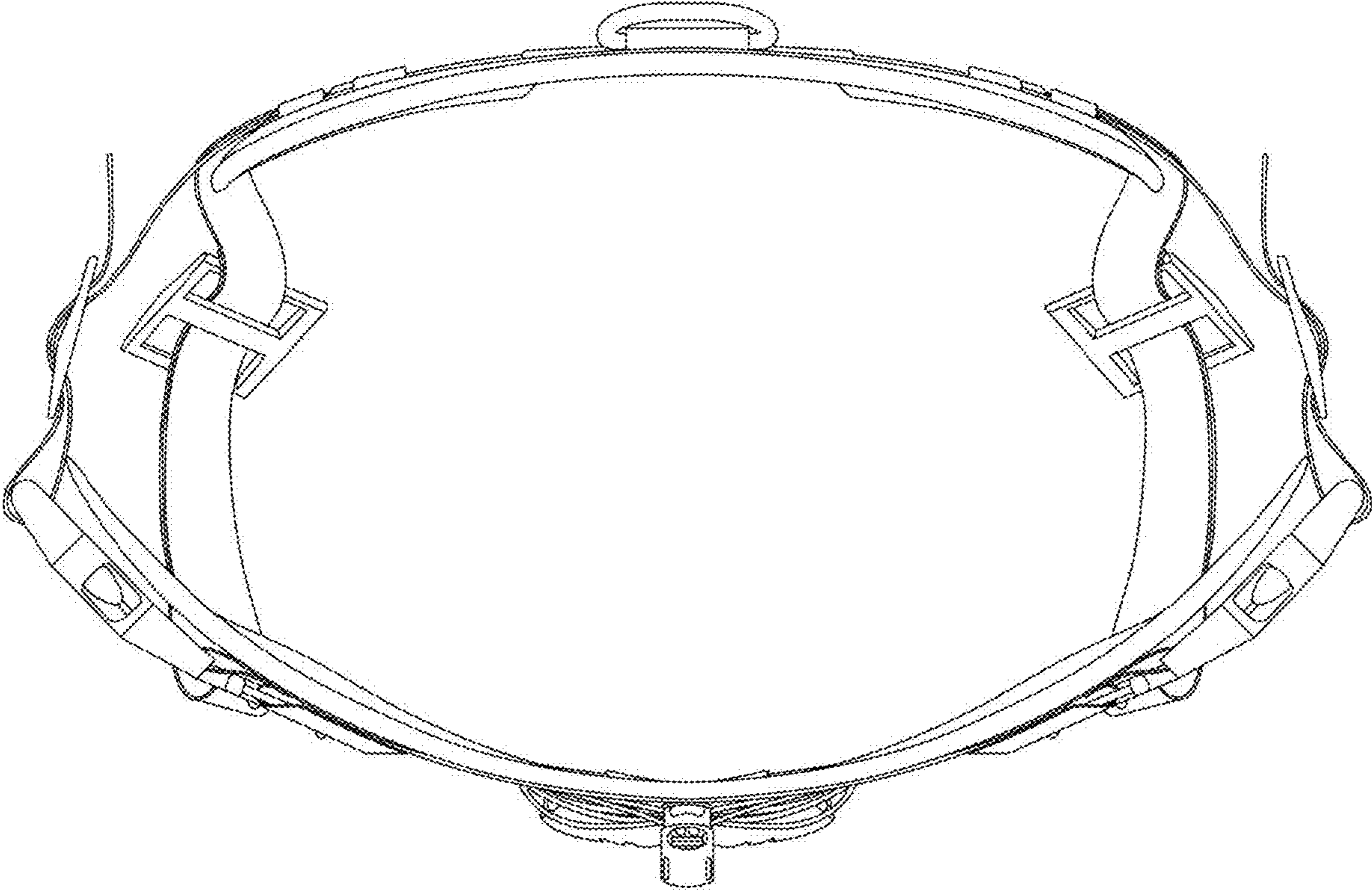


FIG. 2

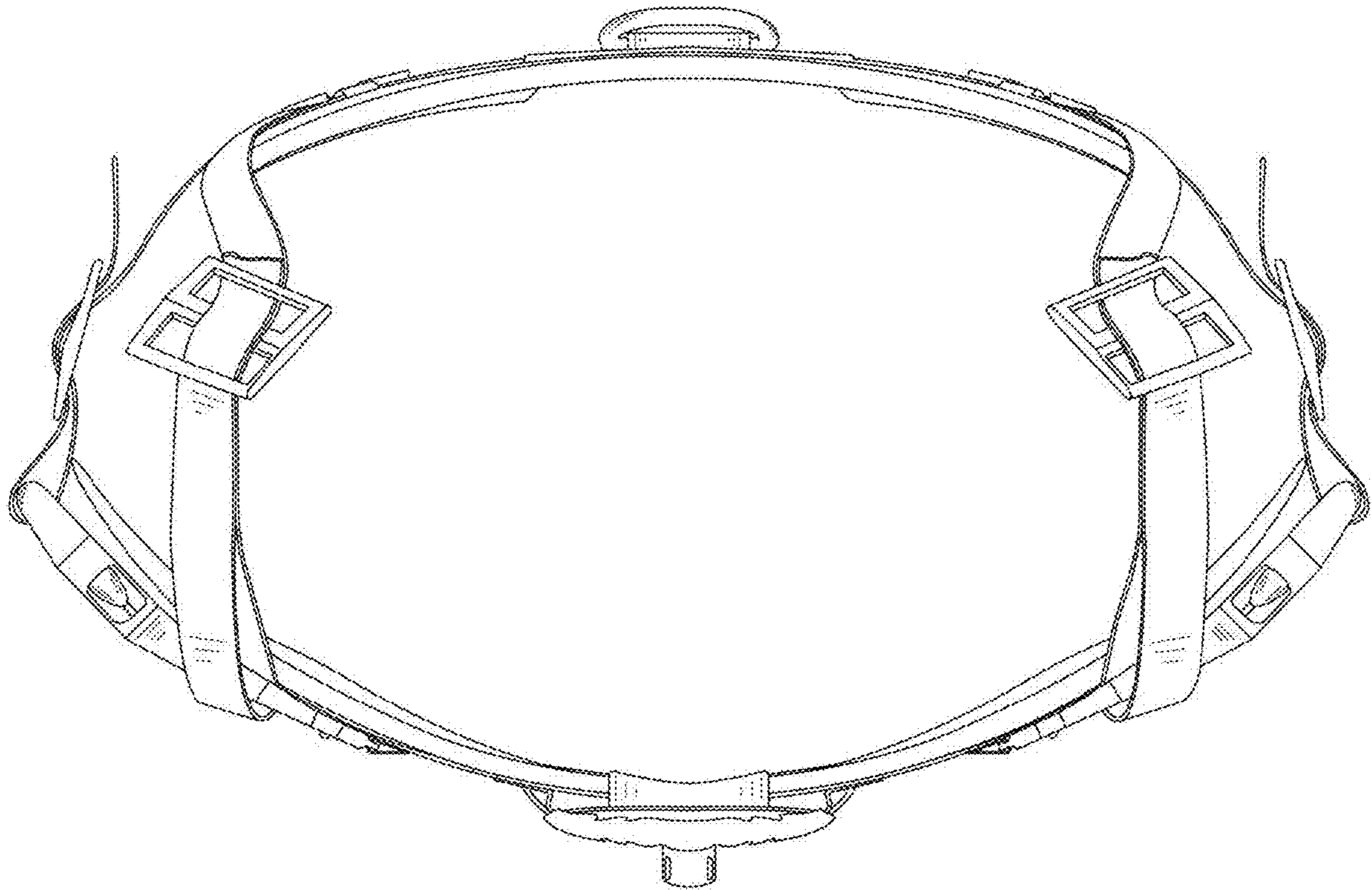


FIG. 3

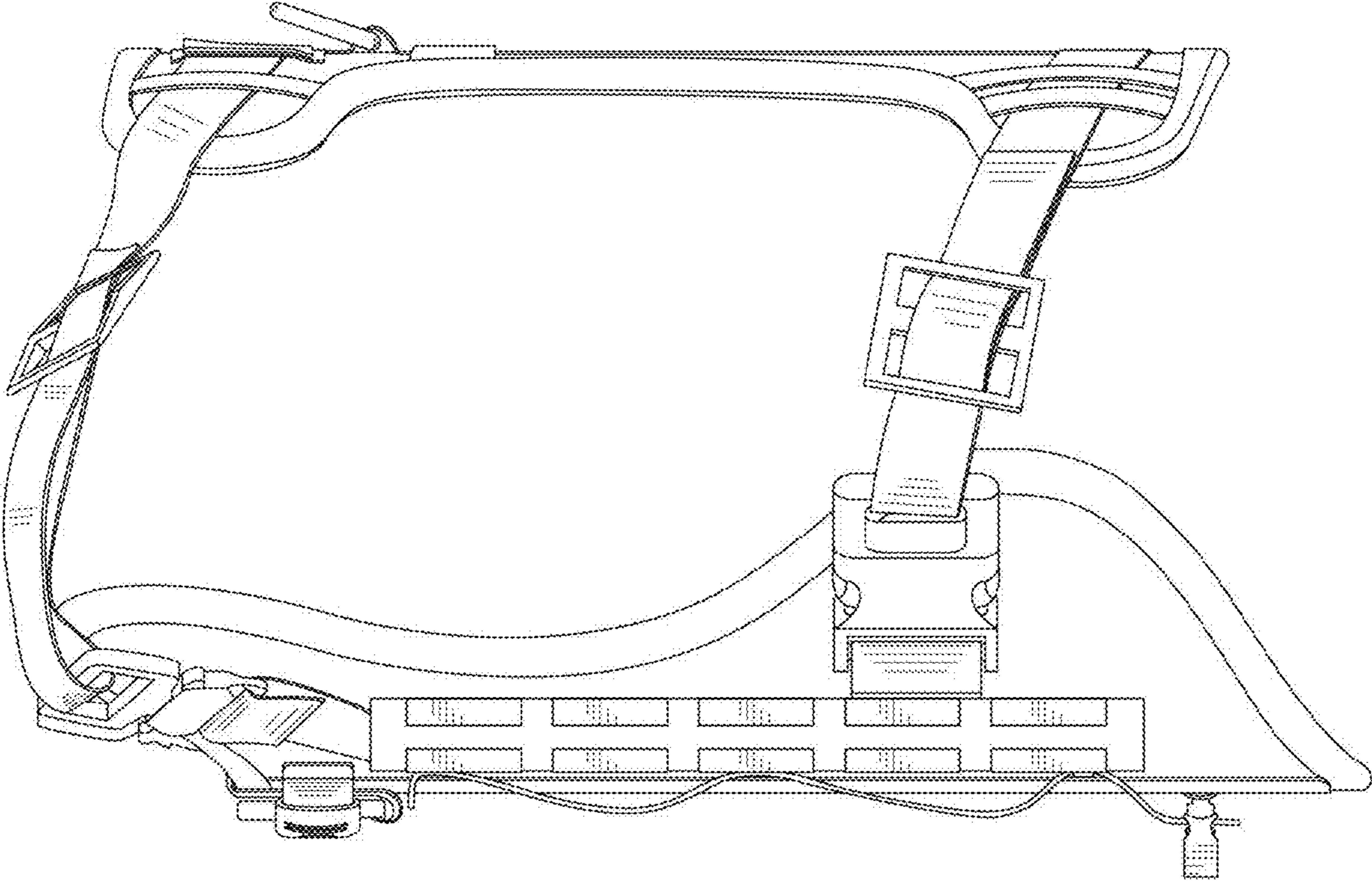


FIG. 4

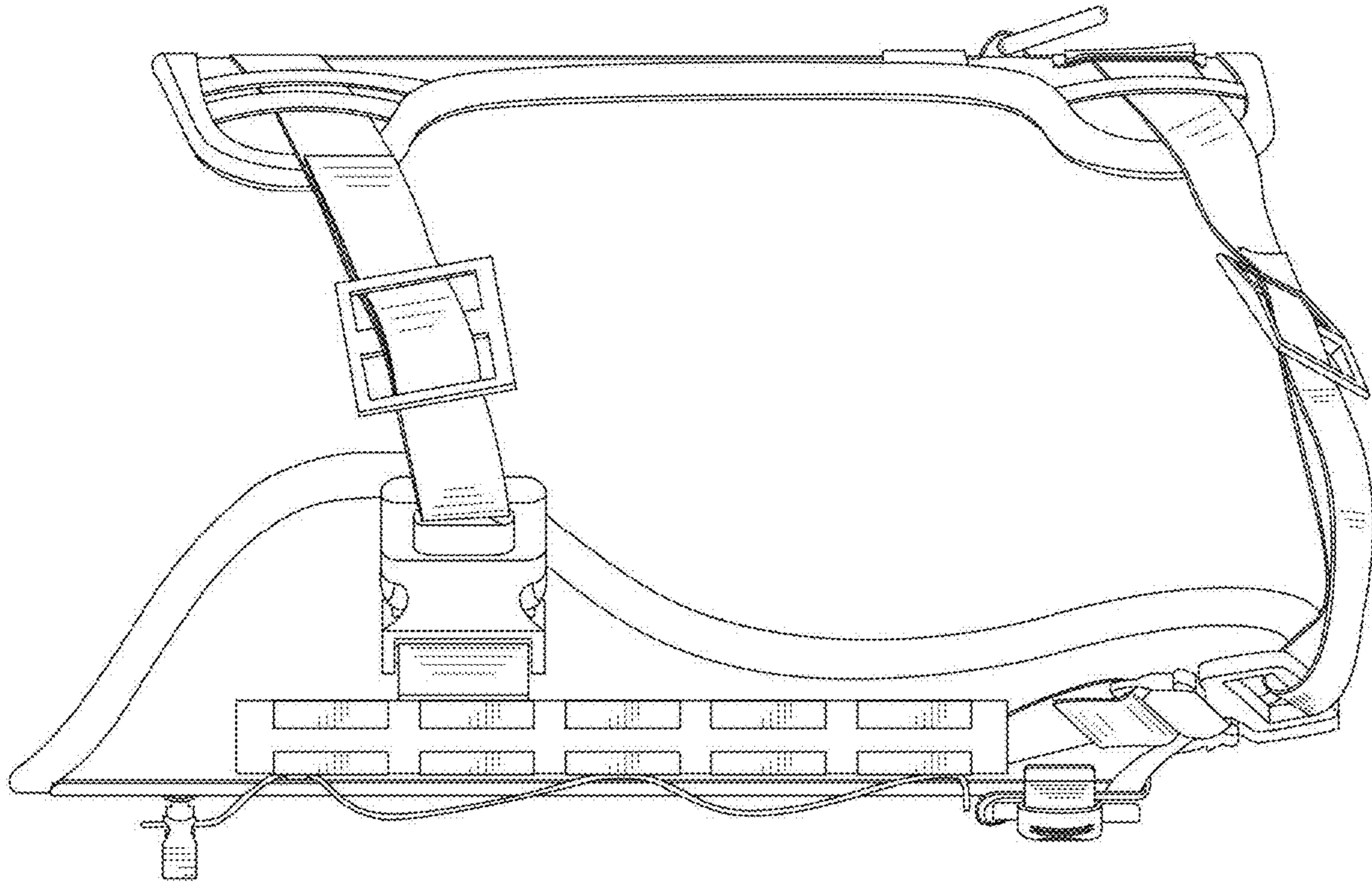


FIG. 5

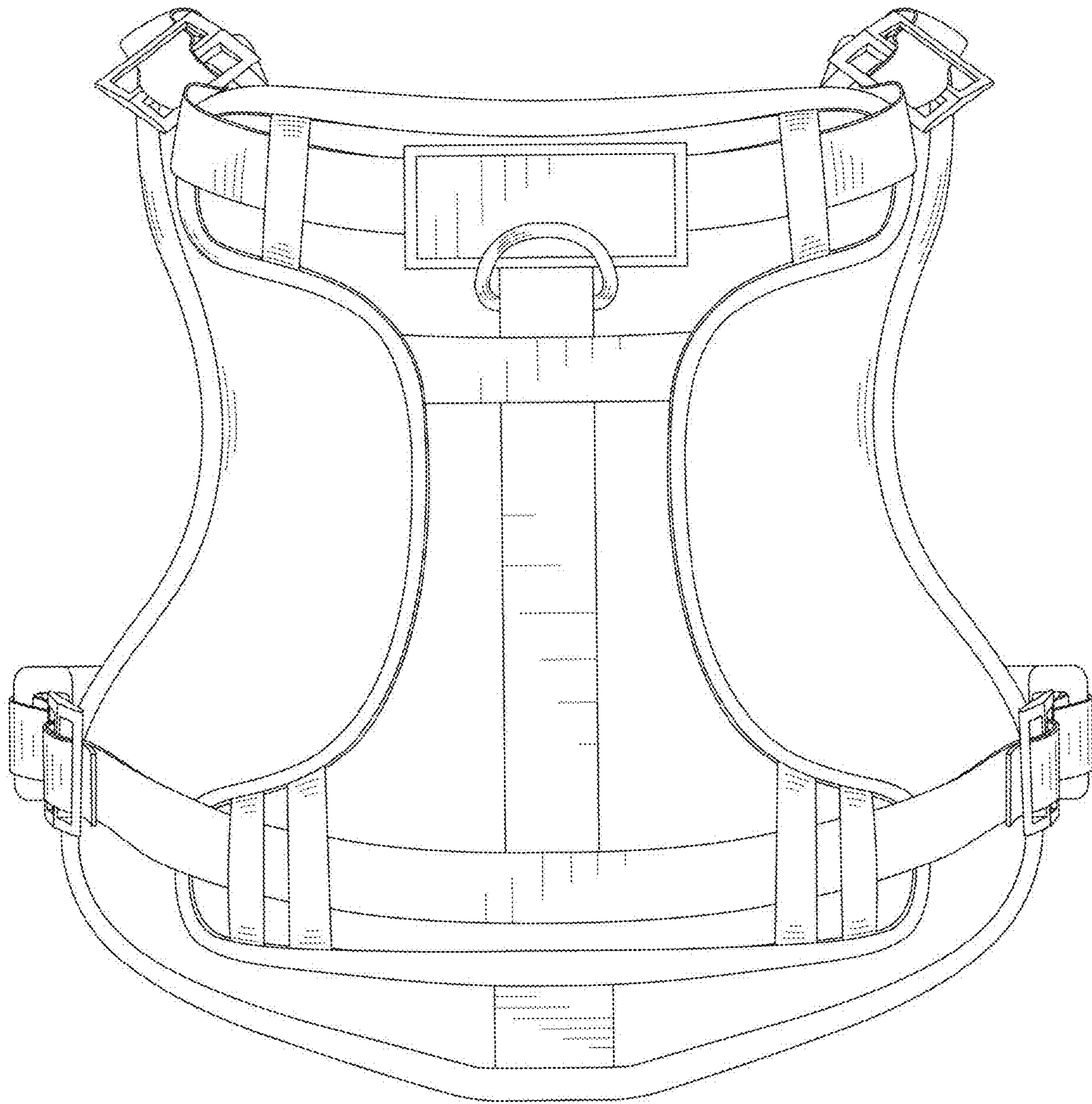


FIG. 6

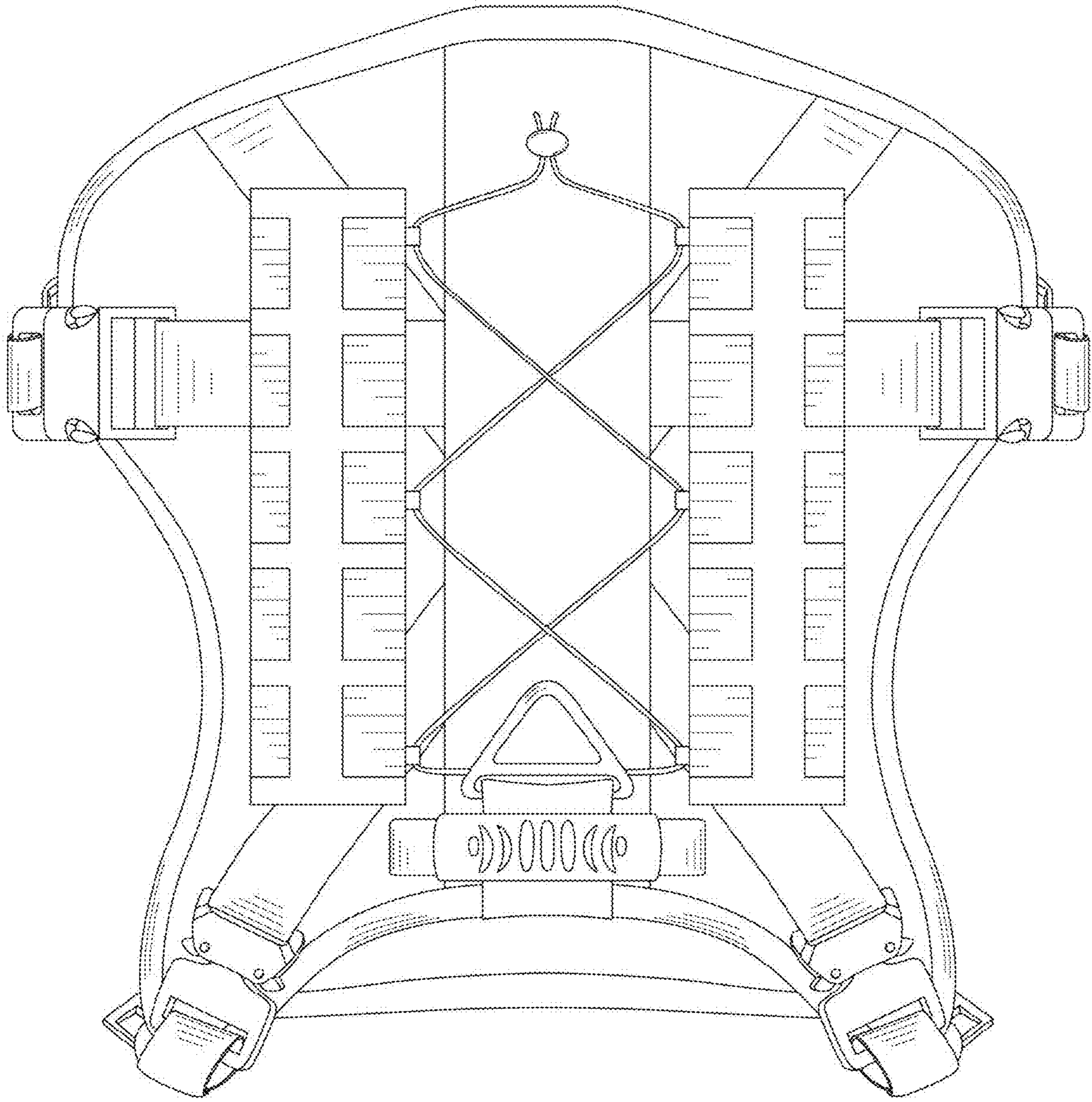


FIG. 7