



US00D973970S

(12) **United States Design Patent**  
**Bauters et al.**

(10) **Patent No.:** **US D973,970 S**

(45) **Date of Patent:** **\*\* Dec. 27, 2022**

(54) **KNEE PAD**

(71) Applicant: **Milwaukee Electric Tool Corporation**,  
Brookfield, WI (US)

(72) Inventors: **Trent T. Bauters**, West Allis, WI (US);  
**Scott M. Hangartner**, Hartland, WI  
(US); **Emelie E. Troedson**, New Berlin,  
WI (US)

(73) Assignee: **Milwaukee Electric Tool Corporation**,  
Brookfield, WI (US)

(\*\*) Term: **15 Years**

(21) Appl. No.: **29/730,276**

(22) Filed: **Apr. 2, 2020**

(51) **LOC (13) Cl.** ..... **02-99**

(52) **U.S. Cl.**  
USPC ..... **D29/121.1**

(58) **Field of Classification Search**  
USPC ..... D29/100, 120.1, 121.1, 122; D24/190  
(Continued)

(56) **References Cited**

**U.S. PATENT DOCUMENTS**

2,431,287 A 11/1947 Washington  
3,742,517 A 7/1973 Bednarczuk  
(Continued)

**FOREIGN PATENT DOCUMENTS**

CN 108125296 6/2018  
CN 208446673 2/2019  
(Continued)

**OTHER PUBLICATIONS**

Knee Pads—Milwaukee Tool (on-line), no date available. Retrieved  
from Internet Mar. 1, 2022, URL: [https://www.milwaukeetool.com/  
Products/Safety-Solutions/Personal-Protective-Equipment/Knee-  
Pads](https://www.milwaukeetool.com/Products/Safety-Solutions/Personal-Protective-Equipment/Knee-Pads) (1 page).\*

(Continued)

*Primary Examiner* — Kimberly Barnes

(74) *Attorney, Agent, or Firm* — Reinhart Boerner Van  
Deuren s.c.

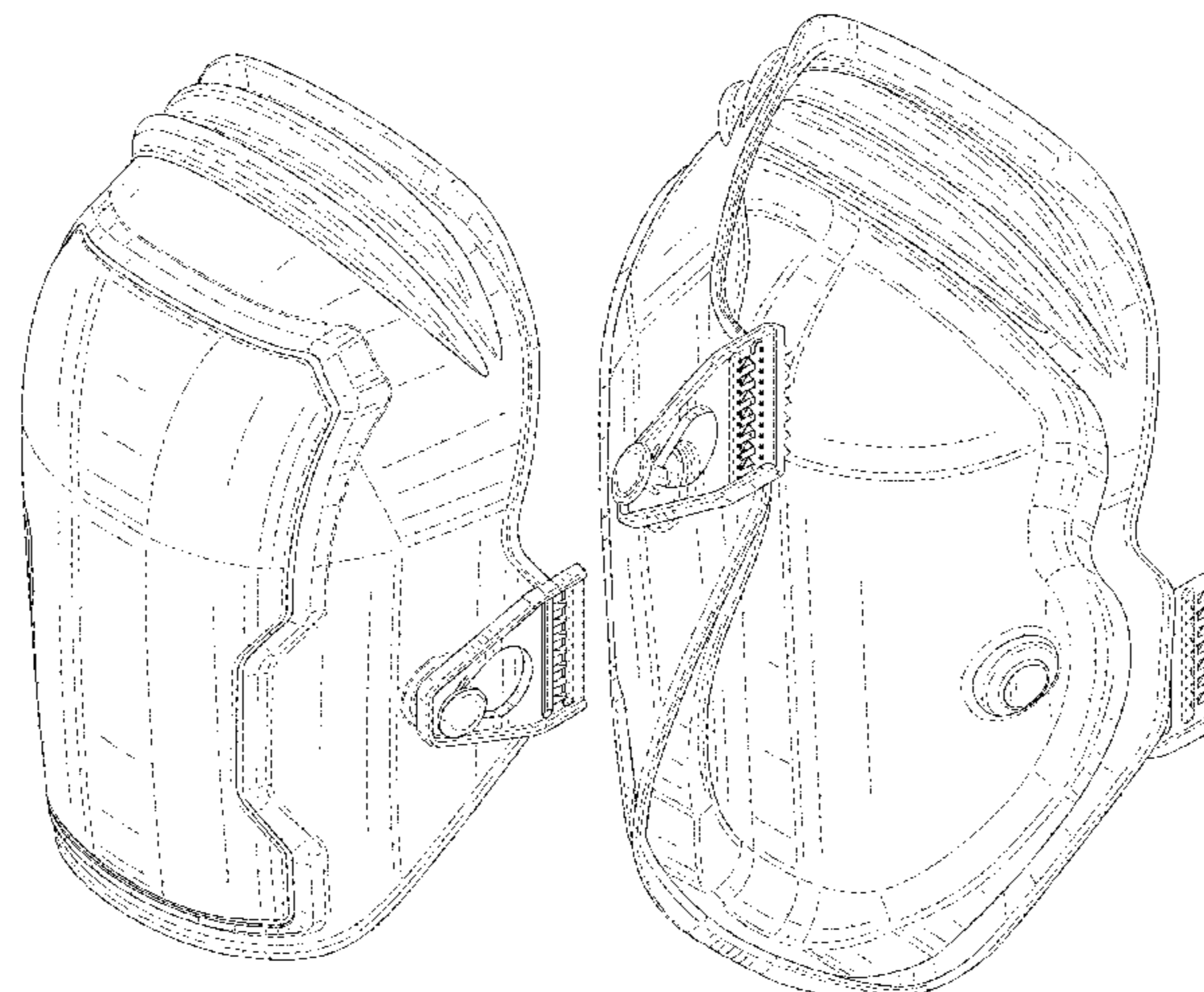
(57) **CLAIM**

We claim the ornamental design for a knee pad, as shown  
and described.

**DESCRIPTION**

FIG. 1 is a front perspective view from above of an  
embodiment of a knee pad showing our new design;  
FIG. 2 is a rear perspective view from above of the claimed  
design of FIG. 1;  
FIG. 3 is a rear perspective view from below of the claimed  
design of FIG. 1;  
FIG. 4 is a second rear perspective view from below of the  
claimed design of FIG. 1;  
FIG. 5 is a front view of the claimed design of FIG. 1;  
FIG. 6 is a rear view of the claimed design of FIG. 1;  
FIG. 7 is a left side view of the claimed design of FIG. 1;  
FIG. 8 is a right side view of the claimed design of FIG. 1;  
FIG. 9 is a top view of the claimed design of FIG. 1;  
FIG. 10 is a bottom view of the claimed design of FIG. 1;  
FIG. 11 is a front perspective view from above of another  
embodiment of the claimed design;  
FIG. 12 is a rear perspective view from above of the claimed  
design of FIG. 11;  
FIG. 13 is a rear perspective view from below of the claimed  
design of FIG. 11;  
FIG. 14 is a second rear perspective view from below of the  
claimed design of FIG. 11;  
FIG. 15 is a front view of the claimed design of FIG. 11;  
FIG. 16 is a rear view of the claimed design of FIG. 11;  
FIG. 17 is a left side view of the claimed design of FIG. 11;  
FIG. 18 is a right side view of the claimed design of FIG. 11;  
FIG. 19 is a top view of the claimed design of FIG. 11; and,  
FIG. 20 is a bottom view of the claimed design of FIG. 11.

**1 Claim, 20 Drawing Sheets**



(58) **Field of Classification Search**

CPC ..... A61F 5/0106; A61F 5/0109; A61F 5/012;  
A61F 5/0123; A41D 13/065; A41D  
13/0568

See application file for complete search history.

(56) **References Cited**

U.S. PATENT DOCUMENTS

5,450,625 A 9/1995 Hu  
5,500,955 A 3/1996 Gongea  
D377,851 S \* 2/1997 Dancyger ..... D29/121.1  
D408,596 S \* 4/1999 Dancyger ..... D29/121.1  
5,915,529 A 6/1999 Popowski  
6,253,376 B1 7/2001 Ritter  
D456,955 S \* 5/2002 Pytlewski ..... D29/121.1  
6,405,383 B2 6/2002 Heller et al.  
D466,254 S \* 11/2002 Hung ..... D29/121.1  
6,553,572 B2 4/2003 Fiorini et al.  
6,584,616 B2 \* 7/2003 Godshaw ..... A41D 13/0568  
2/24  
D492,068 S \* 6/2004 Peterson ..... D29/121.1  
6,789,264 B2 9/2004 Budda  
6,807,682 B1 \* 10/2004 Shircliff ..... A41D 13/065  
2/24  
6,820,279 B2 11/2004 Lesosky  
D504,981 S \* 5/2005 Vanderhoef ..... D29/121.1  
6,964,062 B1 11/2005 Chen  
7,096,508 B2 8/2006 Lesosky  
D588,310 S \* 3/2009 Dancyger ..... D29/121.1  
D602,209 S \* 10/2009 Cheung ..... D29/121.1  
D602,210 S \* 10/2009 Crye ..... D29/121.1  
7,669,920 B1 3/2010 Hipp et al.  
7,797,759 B2 9/2010 Cunningham  
7,900,271 B2 3/2011 Sonner  
D638,995 S \* 5/2011 Hanlon ..... D29/121.1  
8,141,169 B2 3/2012 Saranga  
RE43,395 E 5/2012 Budda  
8,220,073 B2 7/2012 Lopez et al.  
D704,898 S \* 5/2014 Kaal ..... D29/121.1  
8,931,112 B1 1/2015 Furst et al.  
9,021,614 B2 5/2015 Tepper et al.  
D732,749 S \* 6/2015 Vito ..... D29/121.1  
D741,552 S \* 10/2015 Vito ..... D29/121.1  
9,440,136 B2 9/2016 Smith  
9,616,315 B2 4/2017 Smith  
9,643,053 B2 5/2017 Guiney

D788,992 S \* 6/2017 Votel ..... D29/121.1  
D788,993 S \* 6/2017 Votel ..... D29/121.1  
9,867,408 B2 1/2018 Beal et al.  
9,883,705 B1 2/2018 Do  
9,884,240 B2 2/2018 Gudalis  
D816,915 S \* 5/2018 Stobar ..... D29/121.1  
D832,526 S \* 10/2018 Stobar ..... D29/121.1  
D837,459 S \* 1/2019 Stobar ..... D29/121.1  
D837,460 S \* 1/2019 Stobar ..... D29/121.1  
10,441,008 B2 10/2019 Hamilton  
D868,382 S \* 11/2019 Ma ..... D29/100  
D959,059 S \* 7/2022 Uibo ..... D29/121.1  
2005/0120454 A1 6/2005 Cunningham  
2005/0120456 A1 6/2005 Cunningham  
2007/0150993 A1 7/2007 Oh et al.  
2007/0163025 A1 \* 7/2007 Godshaw ..... A41D 13/0568  
2/24  
2010/0107291 A1 5/2010 Carter  
2012/0255096 A1 10/2012 Wesley  
2012/0260392 A1 10/2012 Votel et al.  
2013/0025017 A1 1/2013 Chen  
2013/0145514 A1 6/2013 Noble  
2014/0123361 A1 5/2014 Gudalis  
2015/0150314 A1 6/2015 Gudalis  
2017/0055603 A1 3/2017 Guidetti et al.  
2017/0086515 A1 3/2017 Ruiz  
2017/0239552 A1 8/2017 Gudalis  
2017/0258149 A1 9/2017 Gudalis  
2018/0132549 A1 5/2018 Beal et al.  
2018/0213857 A1 \* 8/2018 Miller ..... A41D 13/065  
2018/0325192 A1 11/2018 Gudalis

FOREIGN PATENT DOCUMENTS

CN 306583718 \* 6/2021  
CN 306657000 \* 7/2021  
CN 306666962 \* 7/2021  
CN 306666963 \* 7/2021  
WO WO17205861 11/2017

OTHER PUBLICATIONS

Milwaukee Tools Knee Pads—5 Styles (on-line), dated Apr. 10, 2021. Retrieved from Internet Mar. 1, 2022, URL: <https://web.archive.org/web/20210410080751/https://toollaunch.com/milwaukee-tools-knee-pads/> (11 pages) (Year: 2021).\*

\* cited by examiner

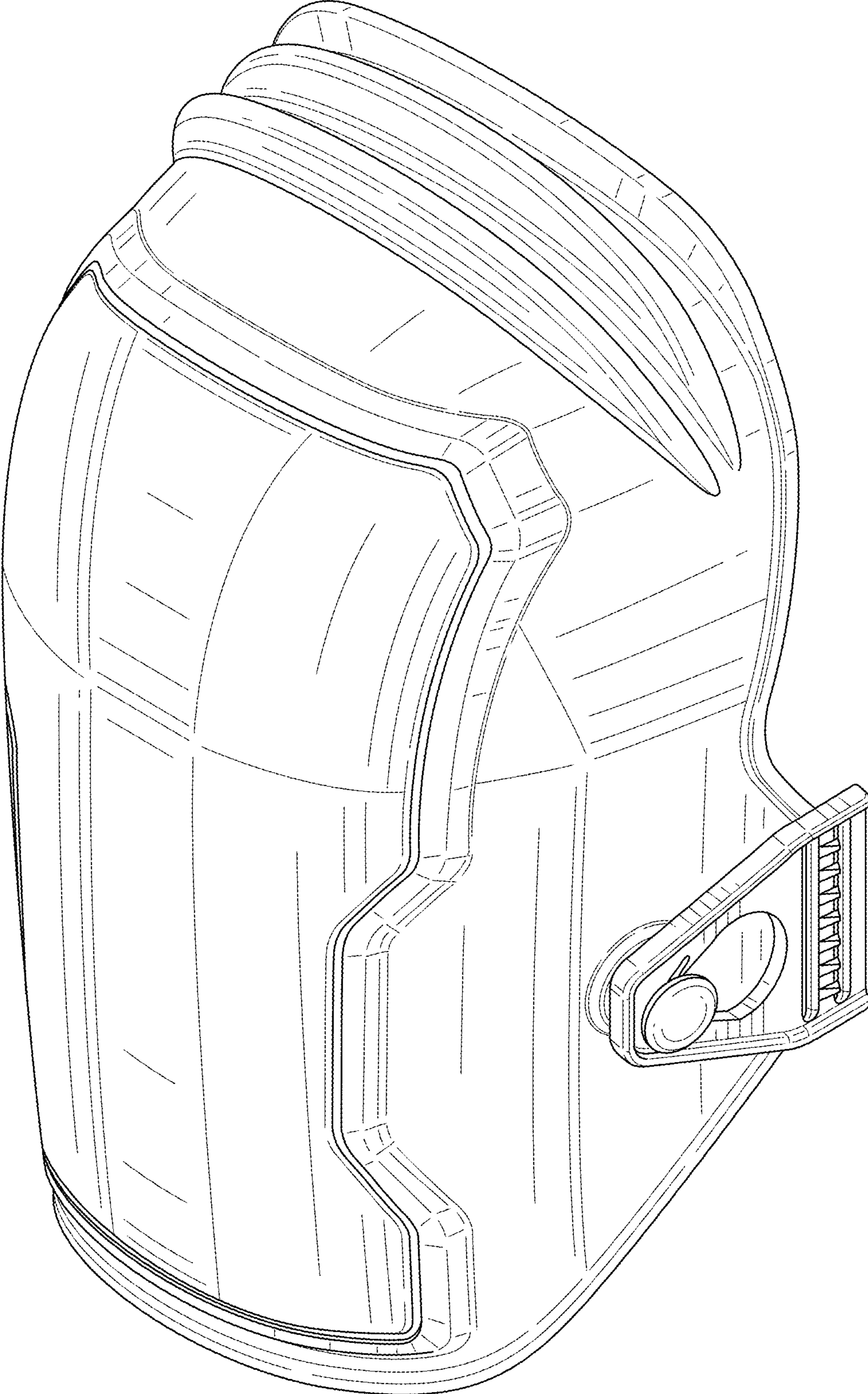


FIG. 1

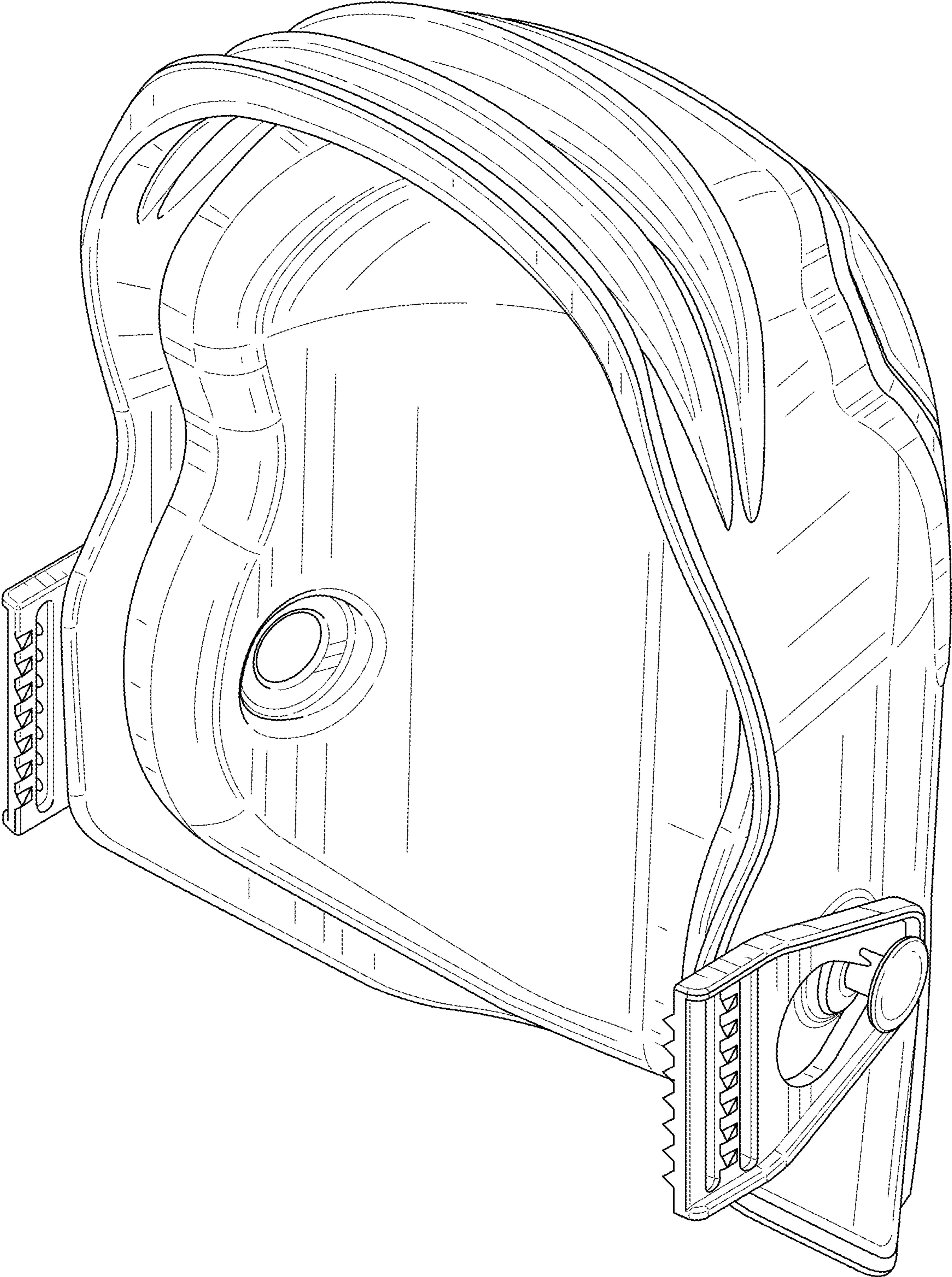


FIG. 2

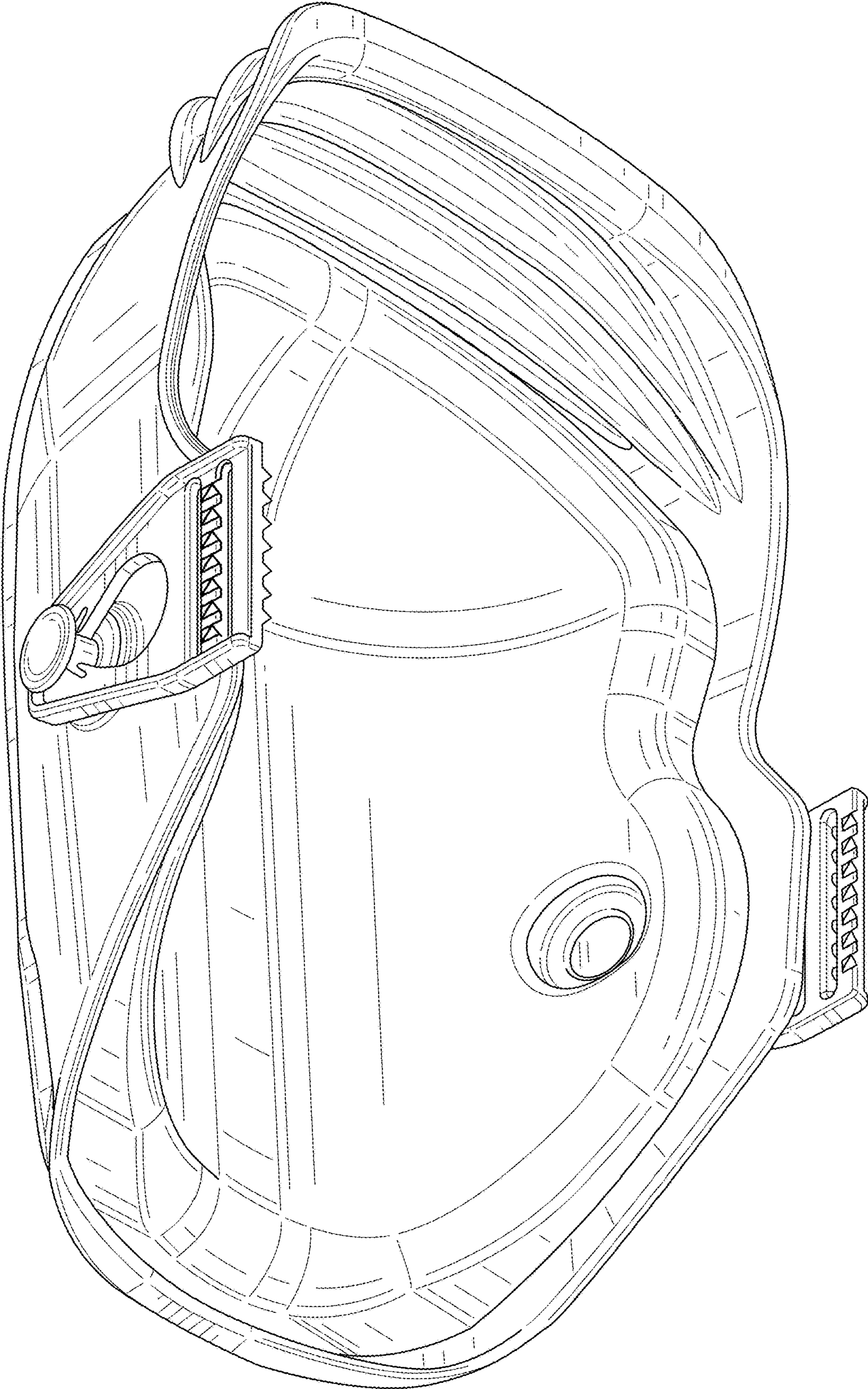


FIG. 3

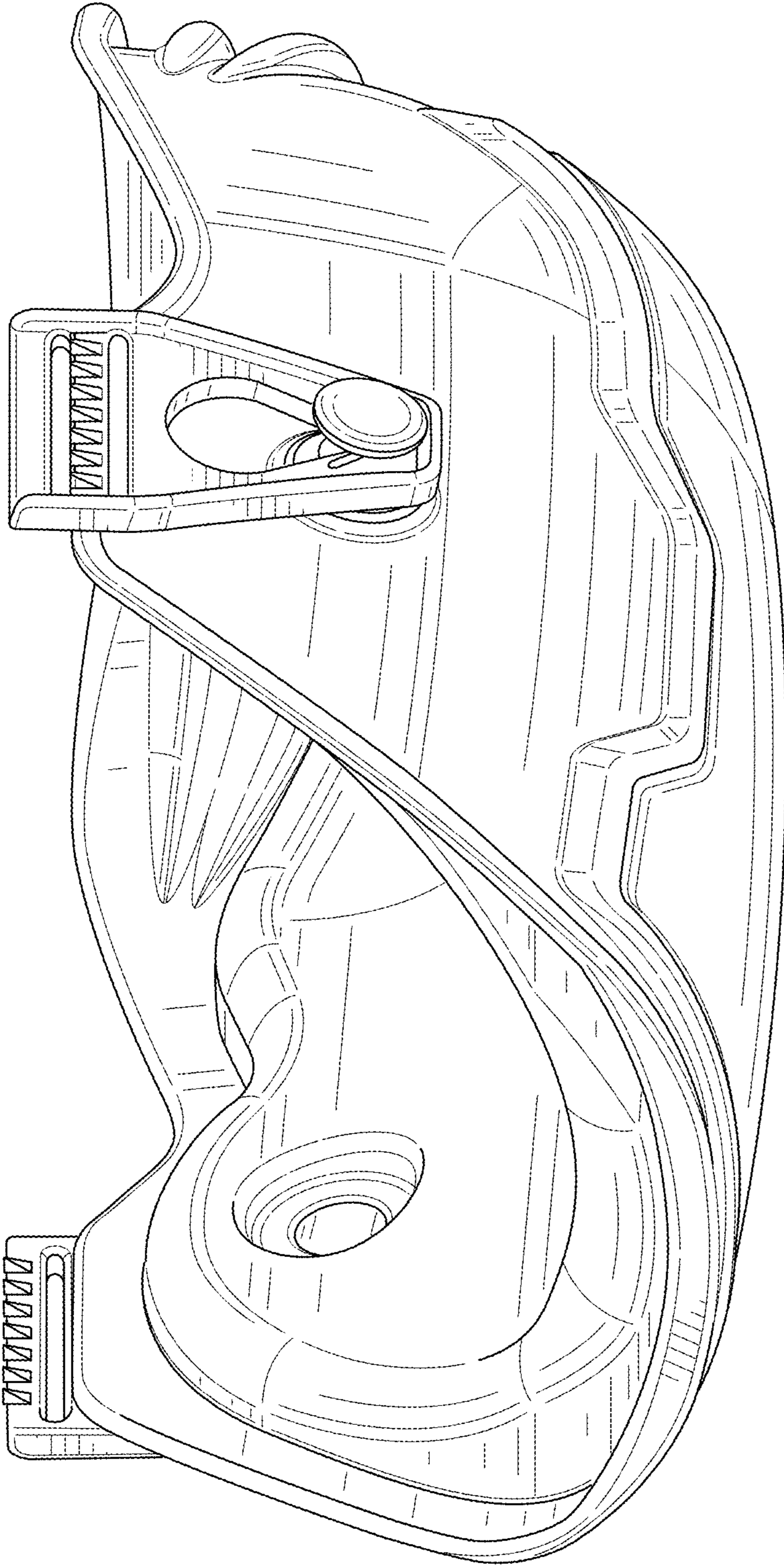


FIG. 4

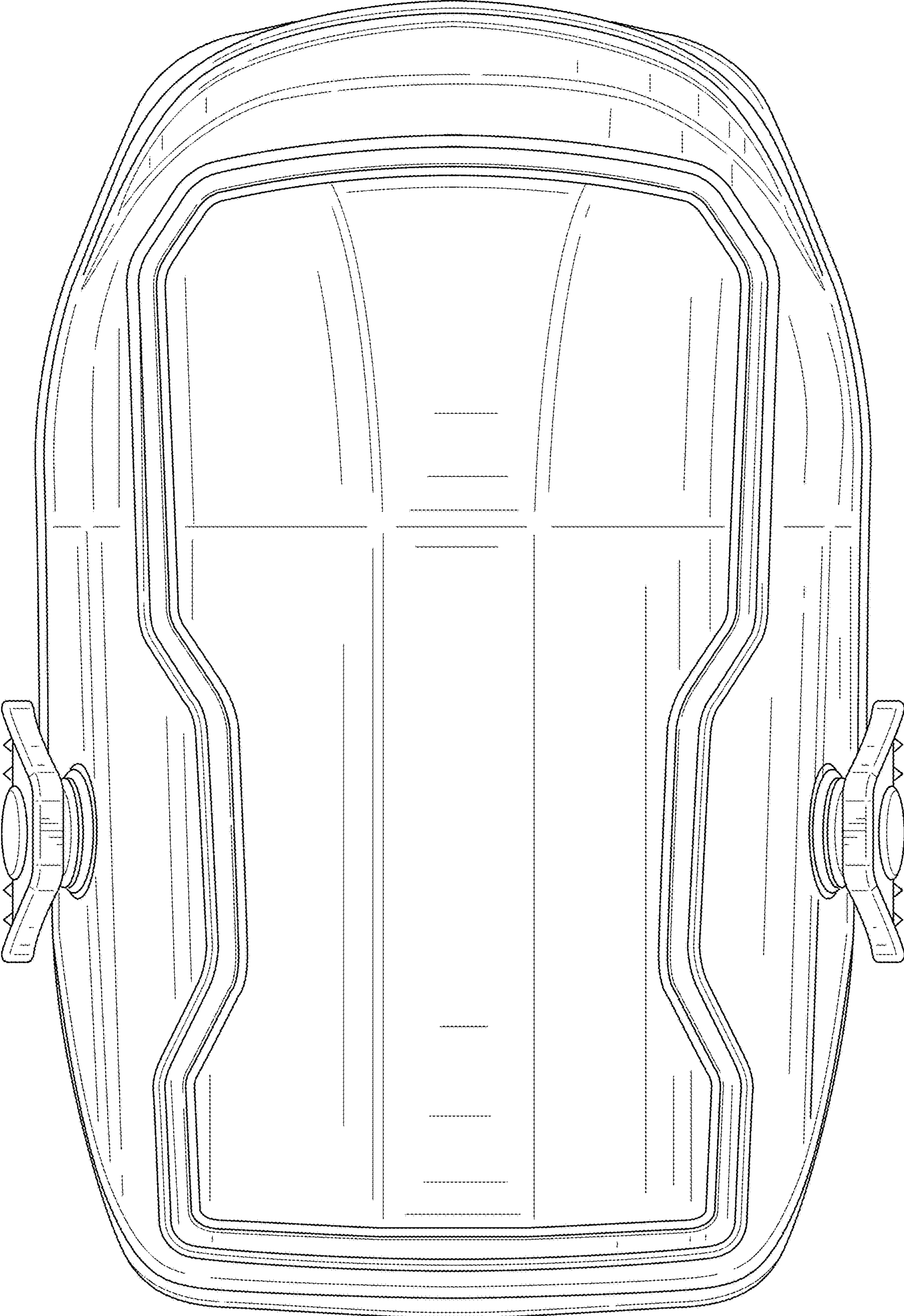


FIG. 5

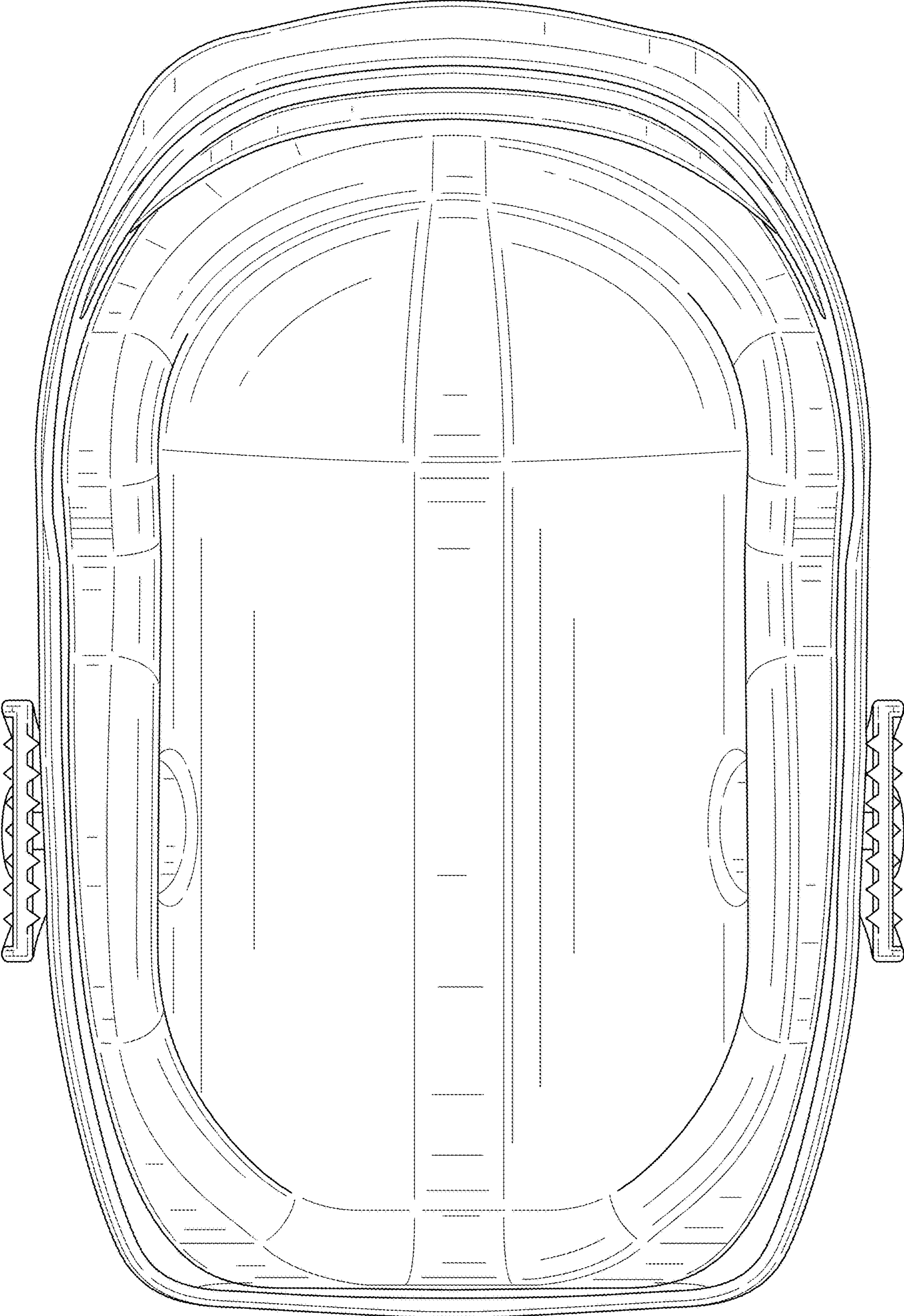


FIG. 6



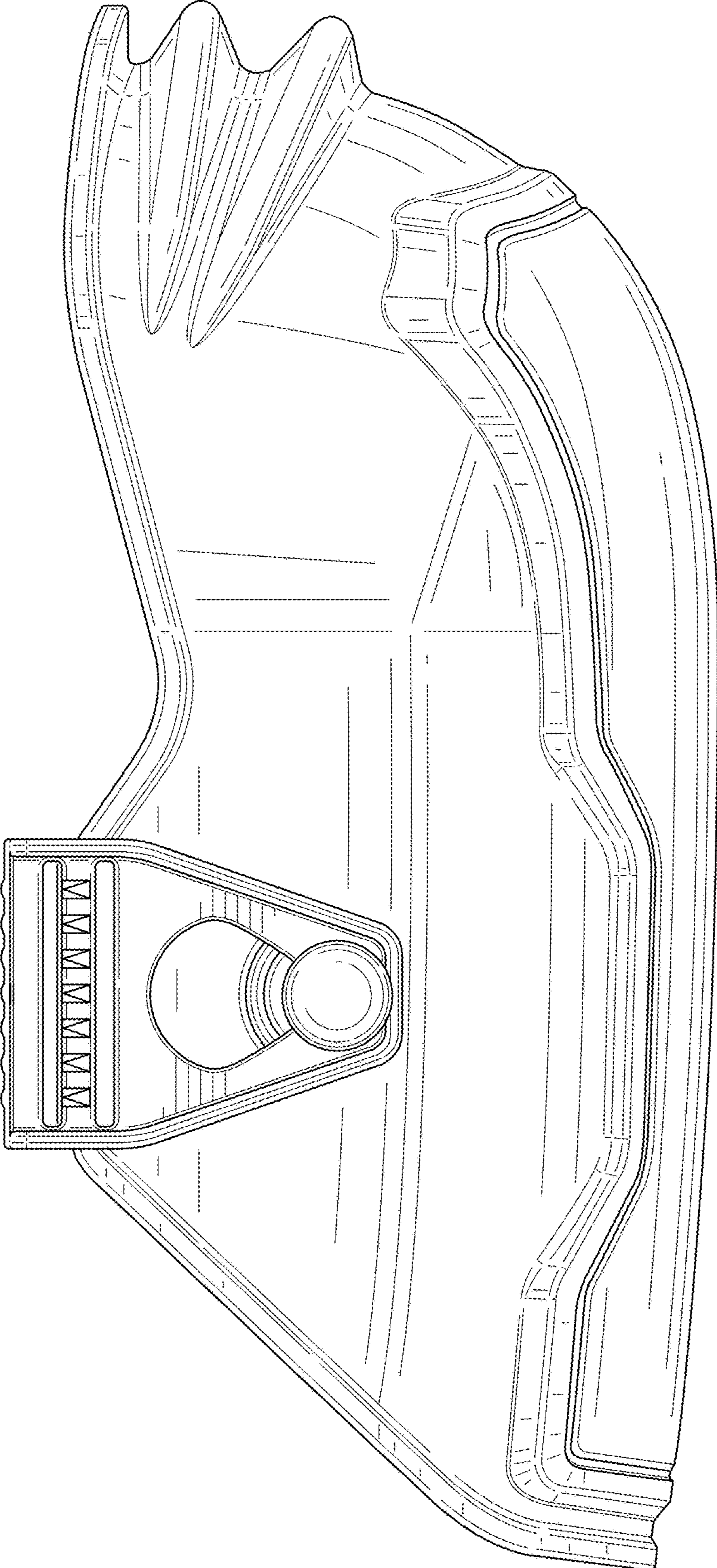


FIG. 7

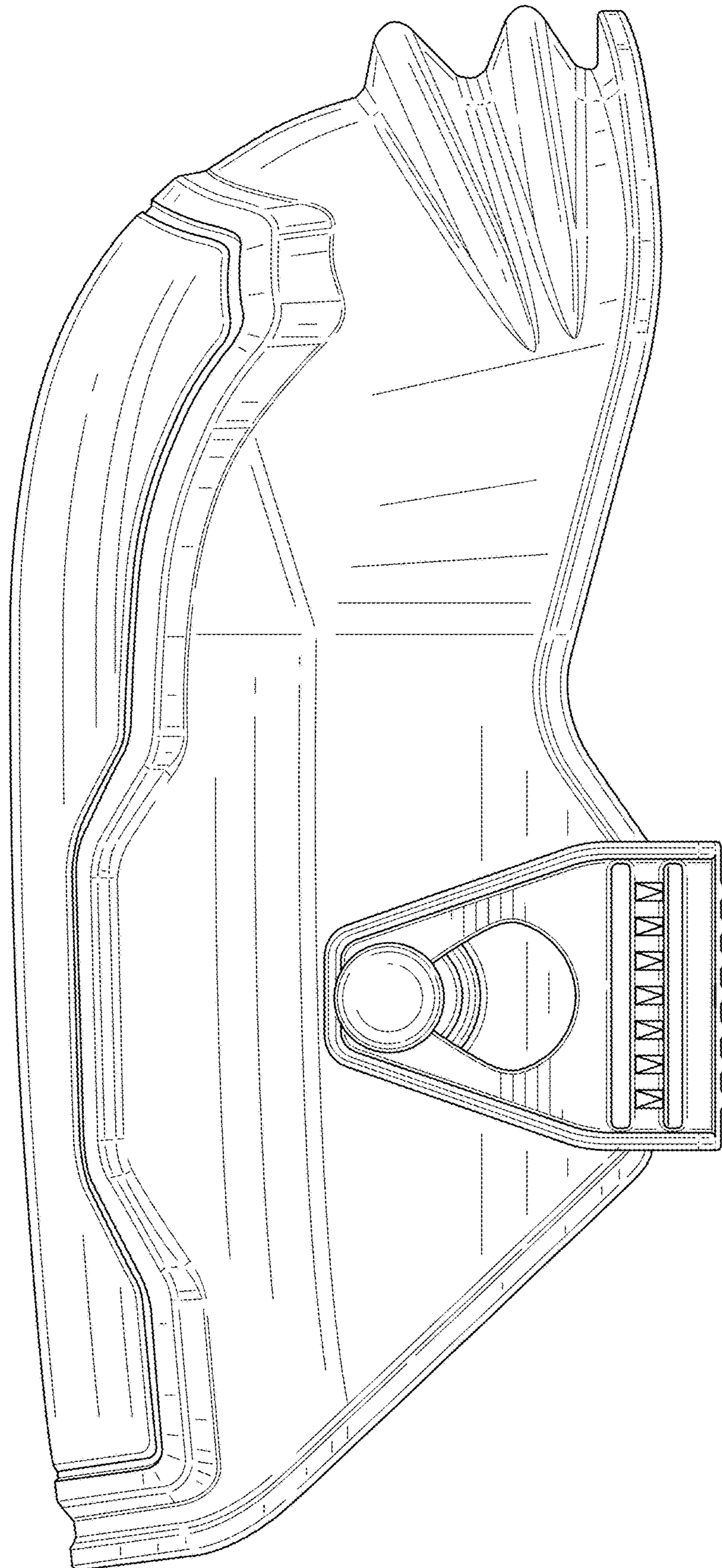


FIG. 8

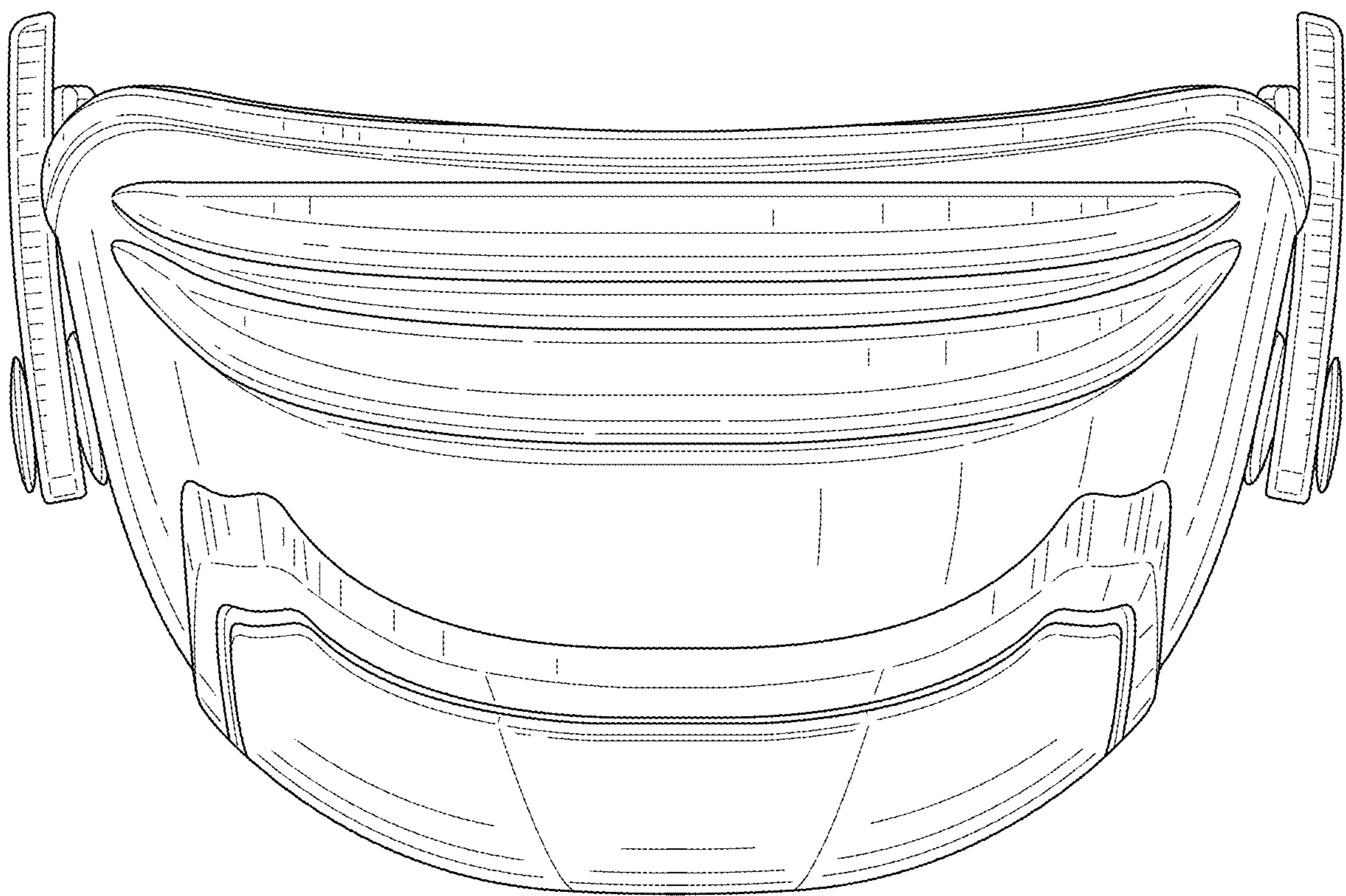


FIG. 9

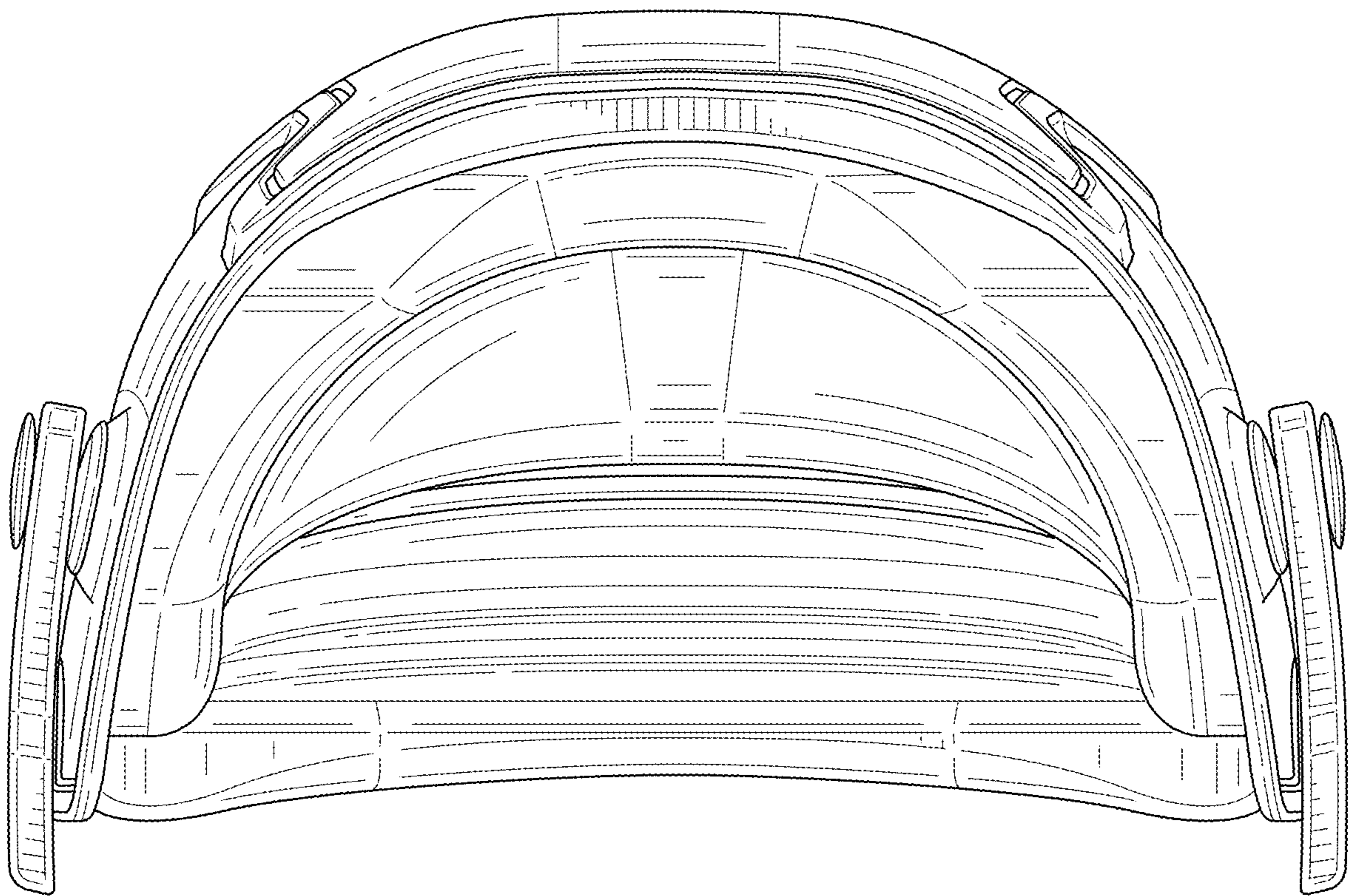


FIG. 10

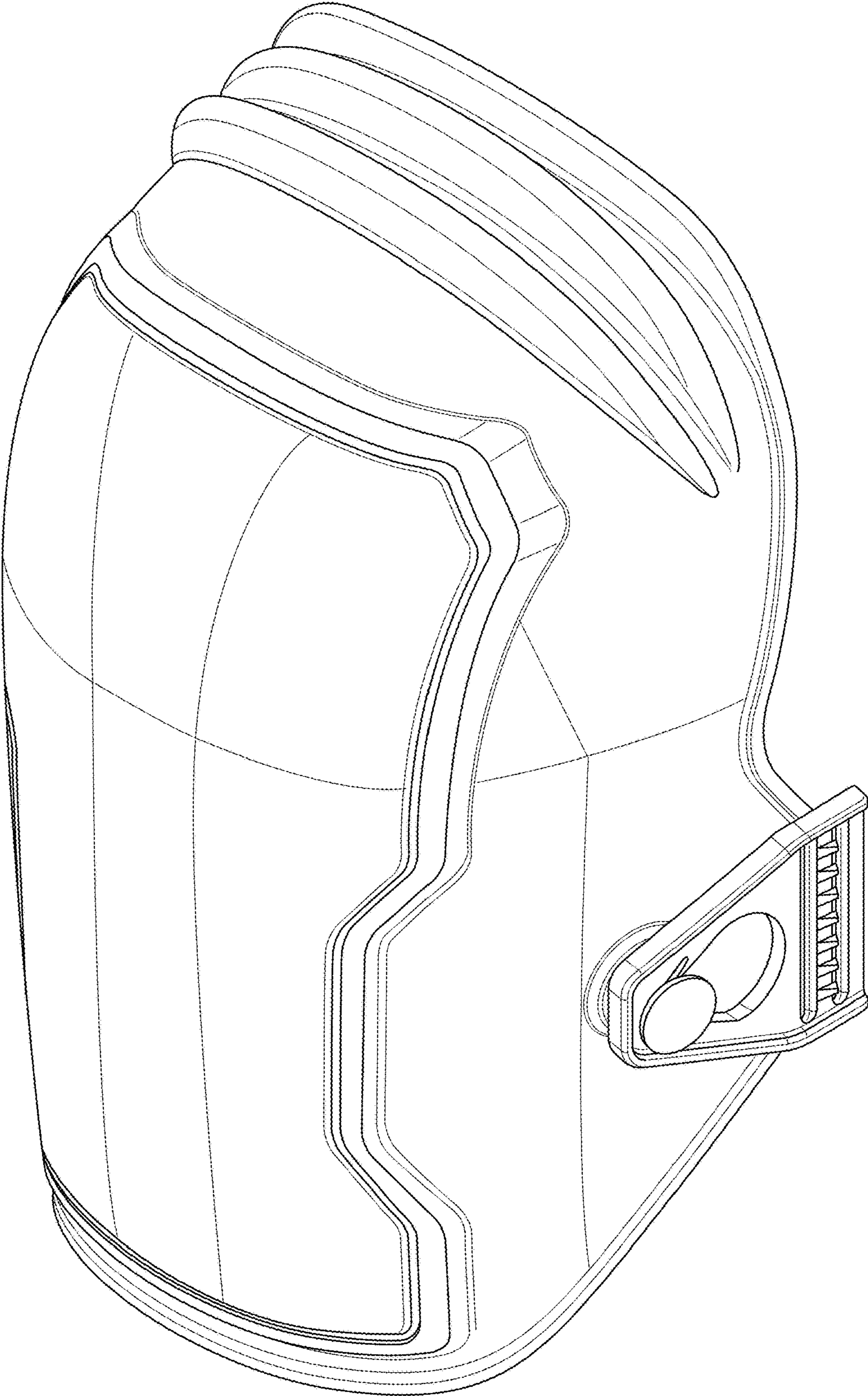


FIG. 11

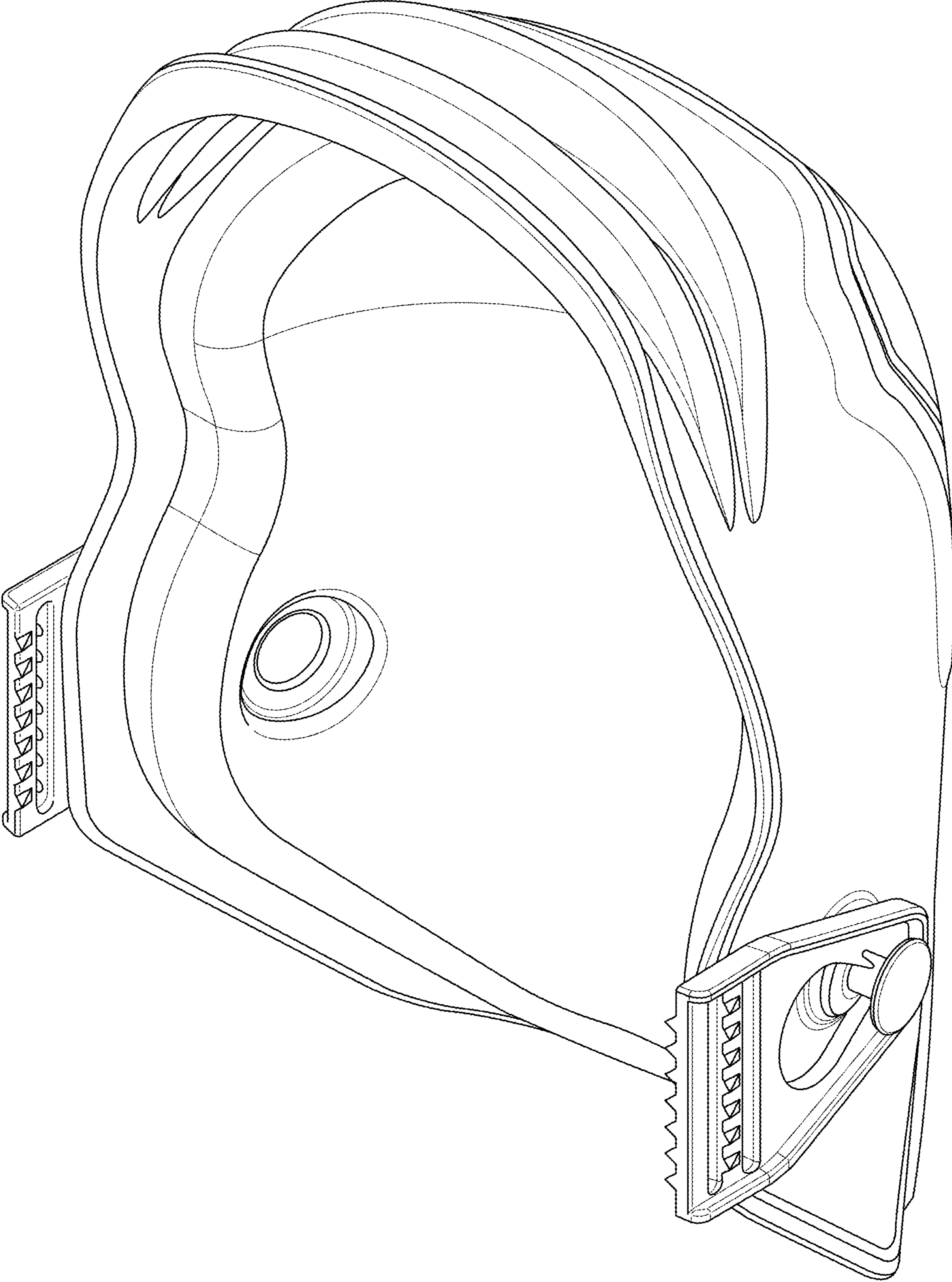


FIG. 12

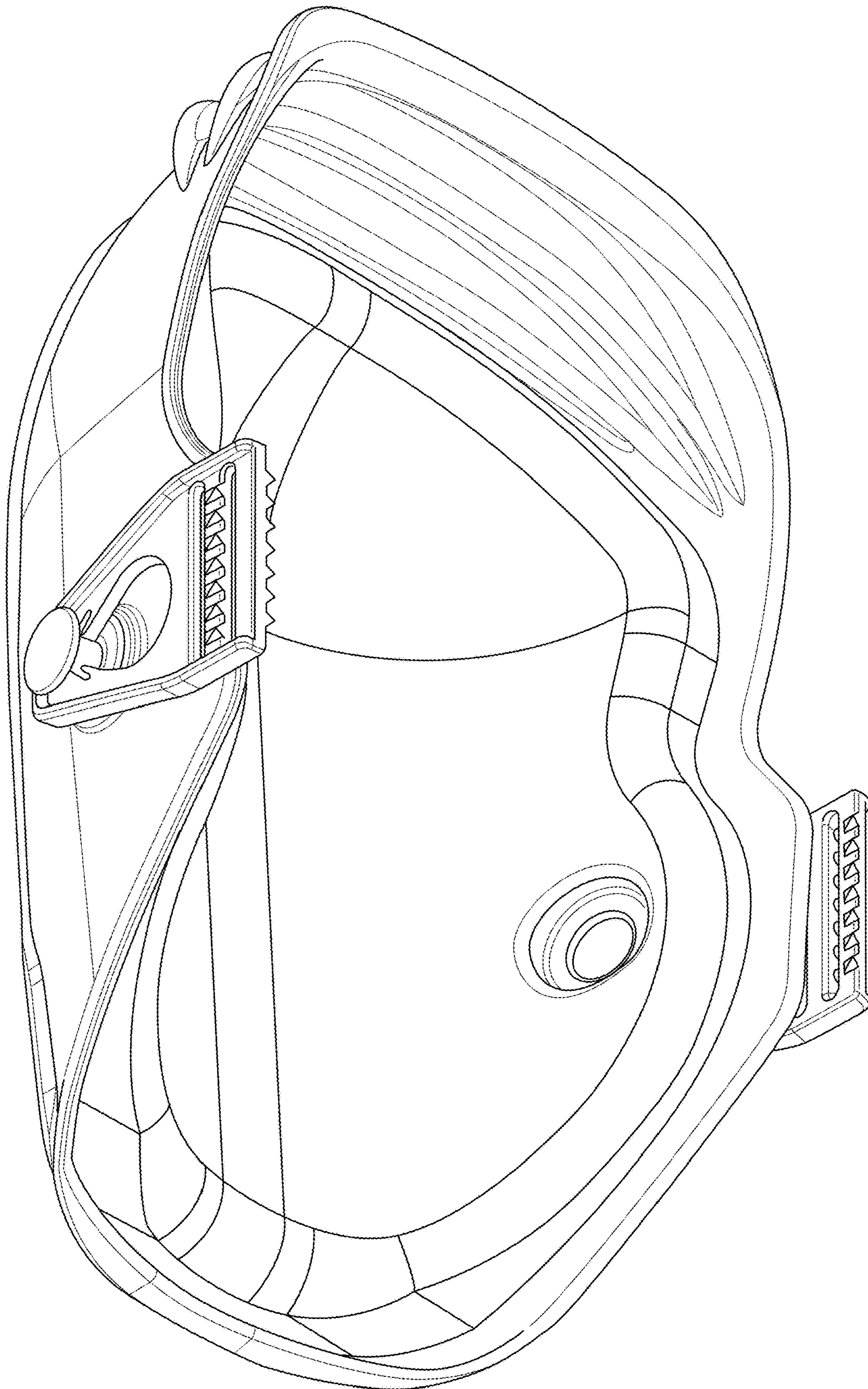


FIG. 13

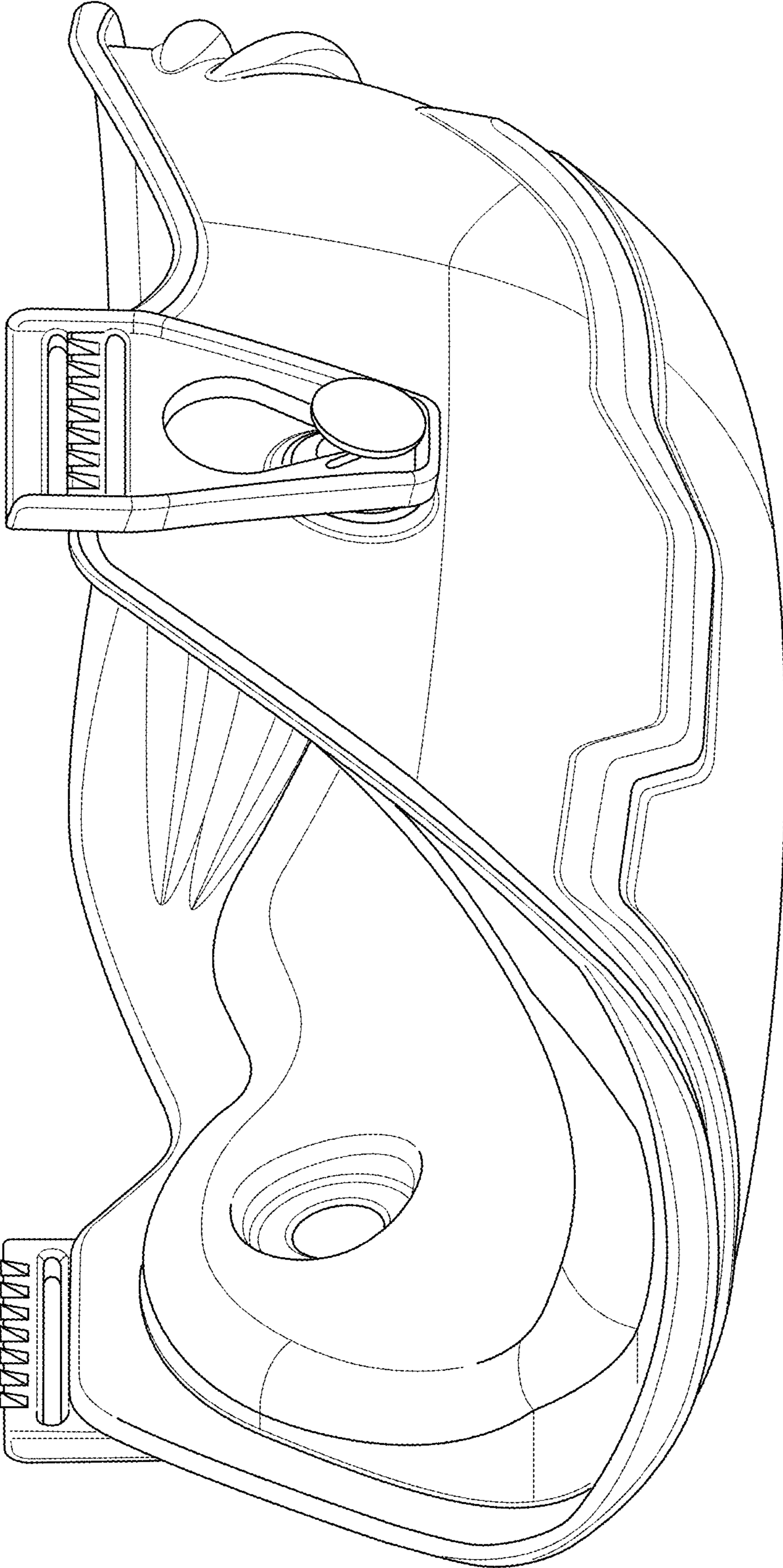


FIG. 14



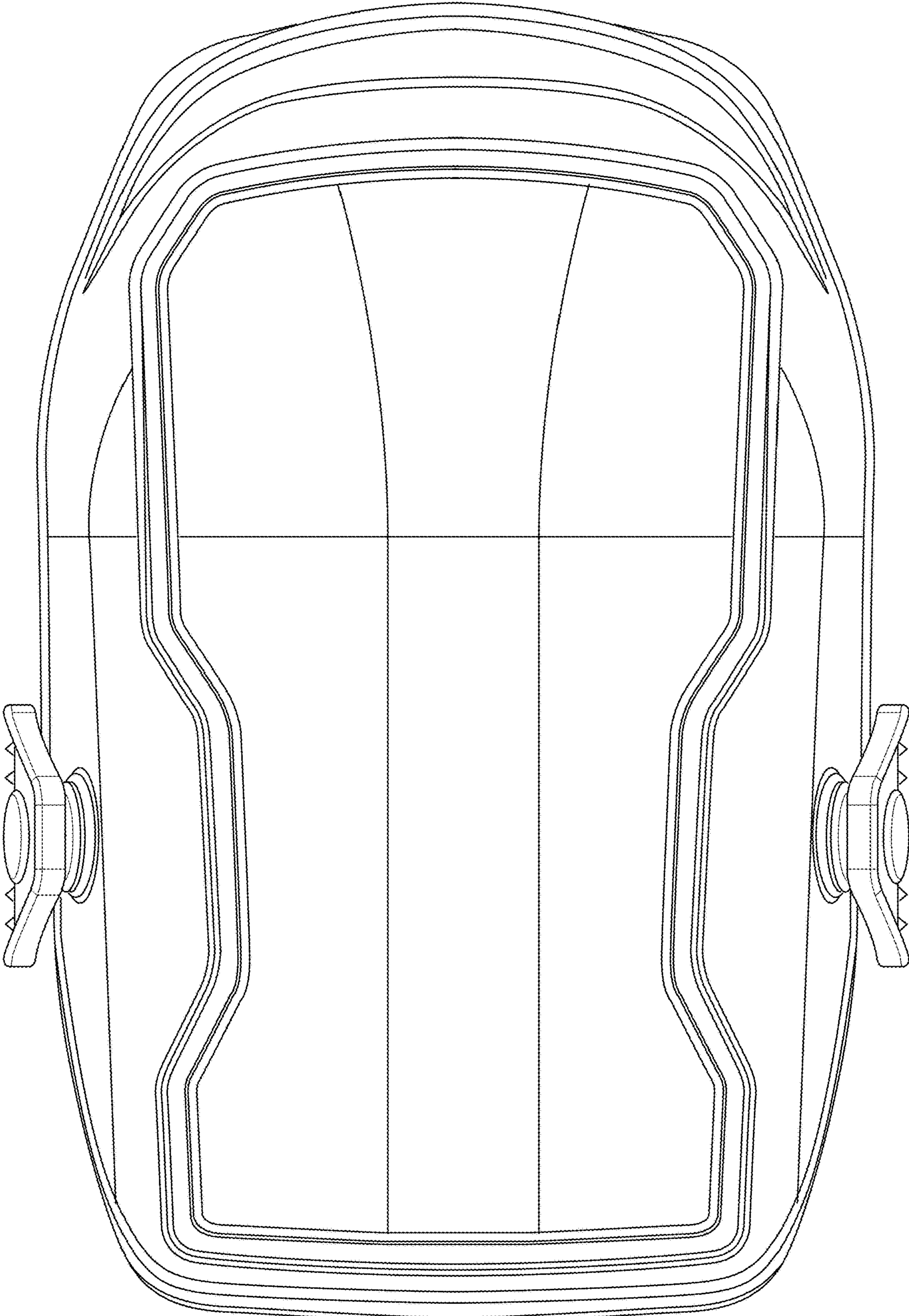


FIG. 15

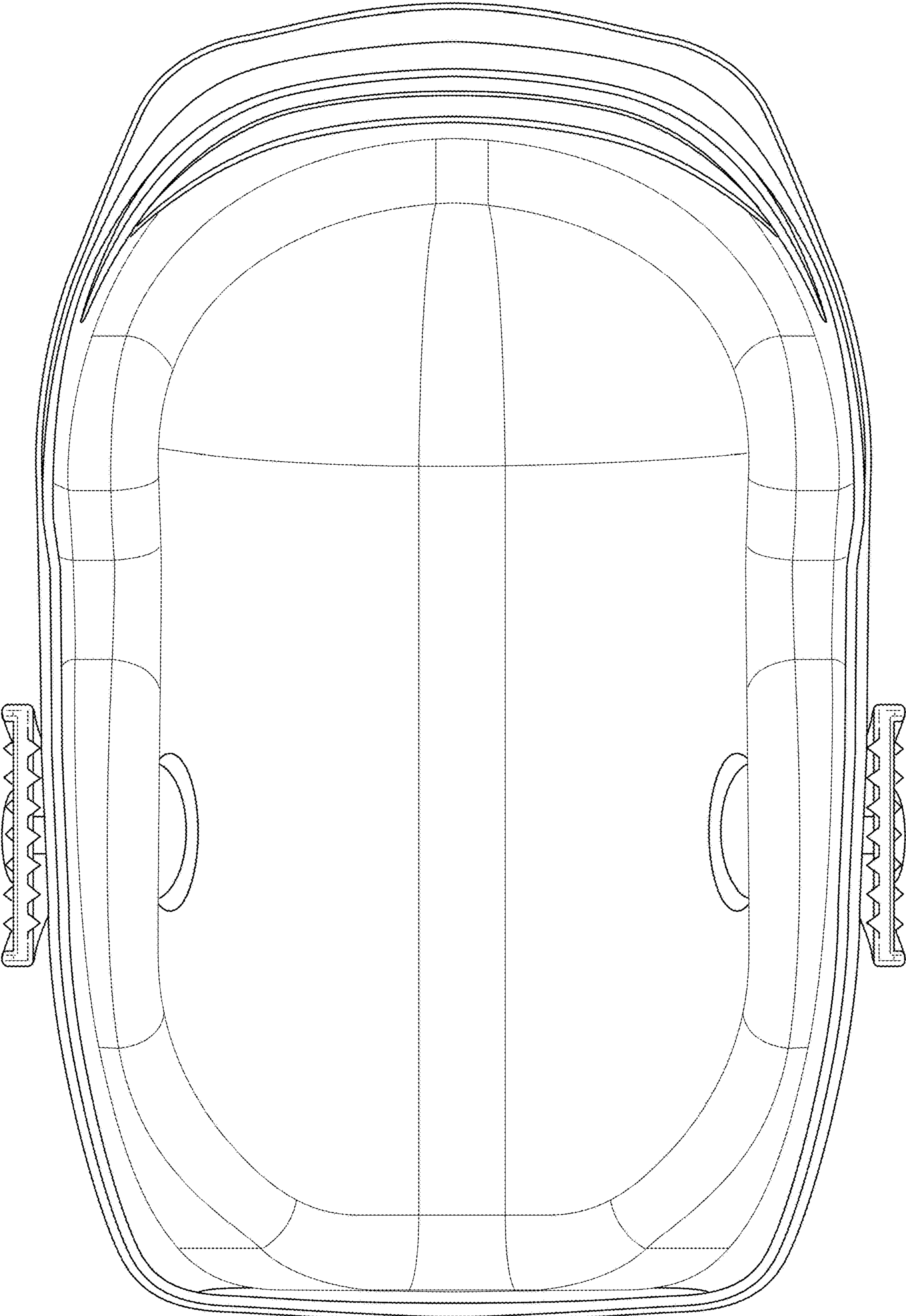


FIG. 16

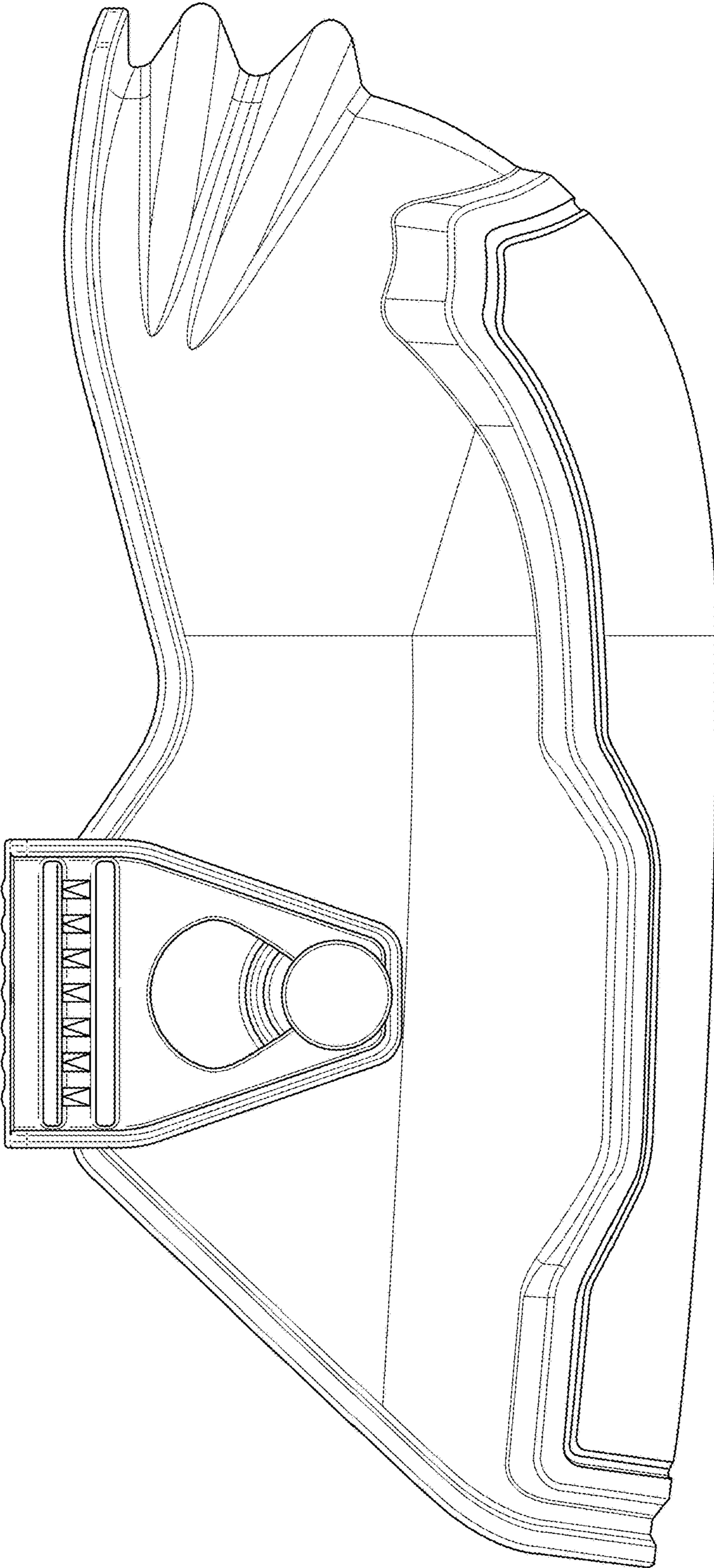


FIG. 17

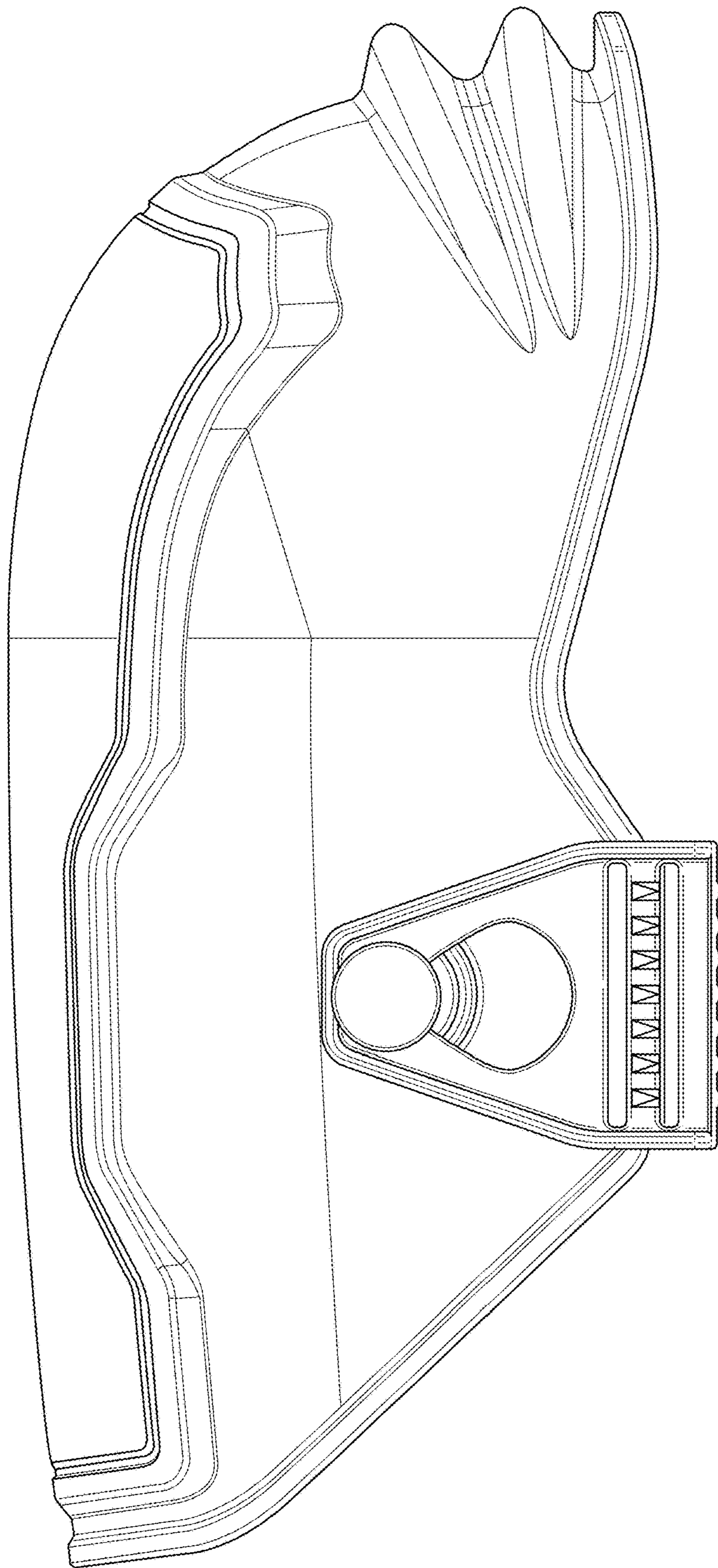


FIG. 18

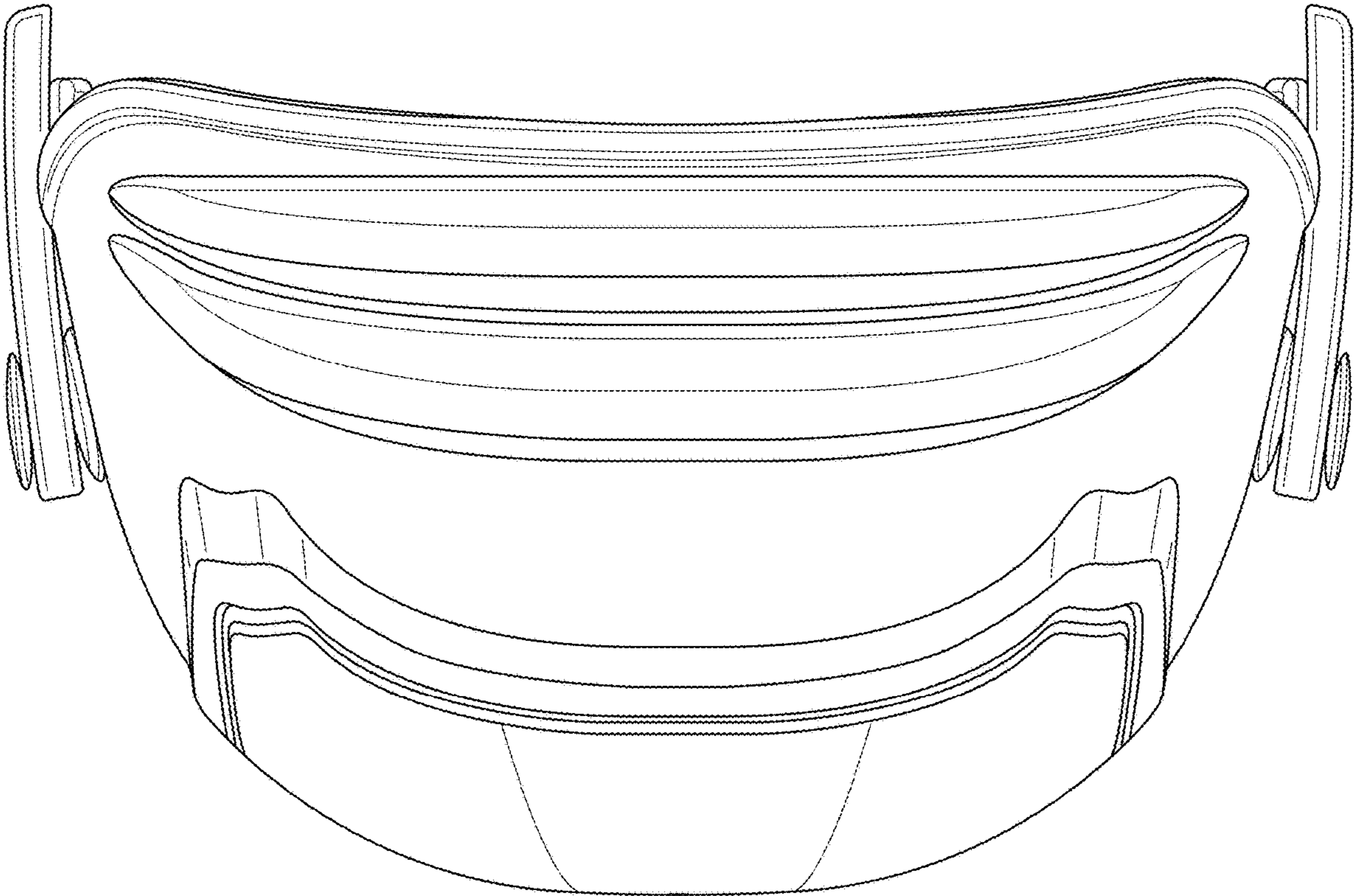


FIG. 19

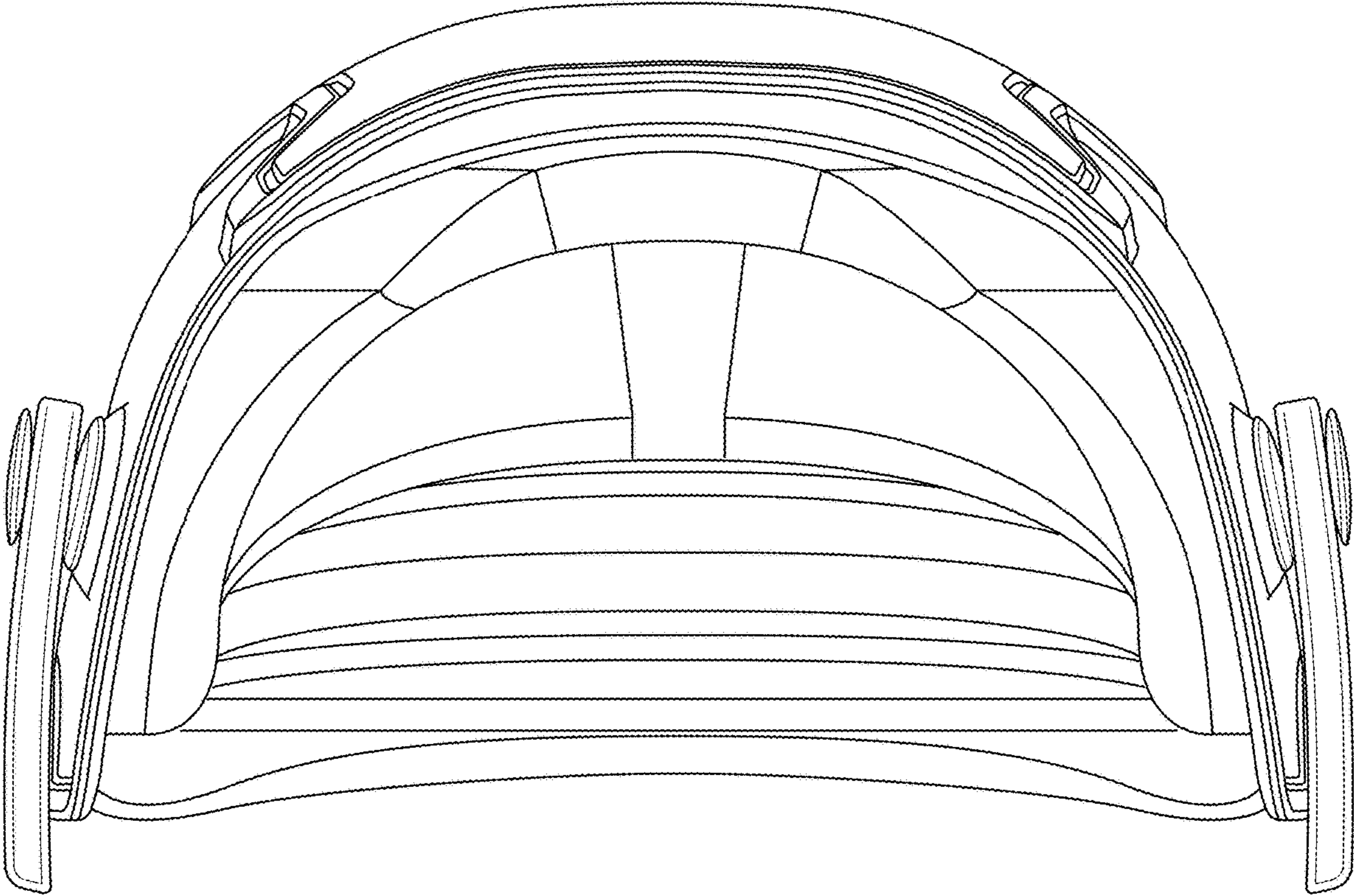


FIG. 20