



US00D973969S

(12) **United States Design Patent** (10) **Patent No.:** **US D973,969 S**
Snow et al. (45) **Date of Patent:** **** Dec. 27, 2022**

- (54) **HELMET FACE SHIELD**
- (71) Applicant: **The United States of America as represented by the Secretary of the Navy, Arlington, VA (US)**
- (72) Inventors: **Jacob Snow, Bremerton, WA (US); Jacob Yates, Poulsbo, WA (US)**
- (73) Assignee: **The United States of America as represented by the Secretary of the Navy, Keyport, WA (US)**
- (**) Term: **15 Years**
- (21) Appl. No.: **29/742,344**
- (22) Filed: **Sep. 25, 2020**
- (51) **LOC (13) Cl.** **29-02**
- (52) **U.S. Cl.**
USPC **D29/110**
- (58) **Field of Classification Search**
USPC D29/102, 105-109, 110, 122; D24/101.1, D24/101.2; D16/301; D2/866
See application file for complete search history.

(56) **References Cited**

U.S. PATENT DOCUMENTS

4,852,186 A * 8/1989 Landis A41D 13/1184
2/9
D311,978 S * 11/1990 Metcalfe D29/110
6,016,808 A * 1/2000 Landis A61F 9/045
2/9
8,336,123 B2 * 12/2012 Gleason A42B 3/225
2/9

(Continued)

OTHER PUBLICATIONS

United States AirForce Face Shield Image 001.

(Continued)

Primary Examiner — Robert A Delehanty
(74) *Attorney, Agent, or Firm* — Stephen J. Leahu; Naval Undersea Warfare Center

(57) **CLAIM**

The ornamental design for a helmet face shield, as shown and described.

DESCRIPTION

The invention described herein may be manufactured and used by or for the Government of the United States of America for governmental purposes without the payment of any royalties thereon or therefor.

The present application is also related to co pending utility application Ser. No. 16/974,092 titled "Helmet Face Shield" filed the same day herewith.

FIG. 1 is an isometric top front view of a helmet face shield in accordance with the invention, shown in use with a helmet and wherein the helmet is a functional feature shown in dashed lines;

FIG. 2 is an isometric top front view of a helmet face shield in accordance with the invention;

FIG. 3 is a front view of a helmet face shield in accordance with the invention;

FIG. 4 is a right side view of a helmet face shield in accordance with the invention;

FIG. 5 is a rear view of a helmet face shield in accordance with the invention;

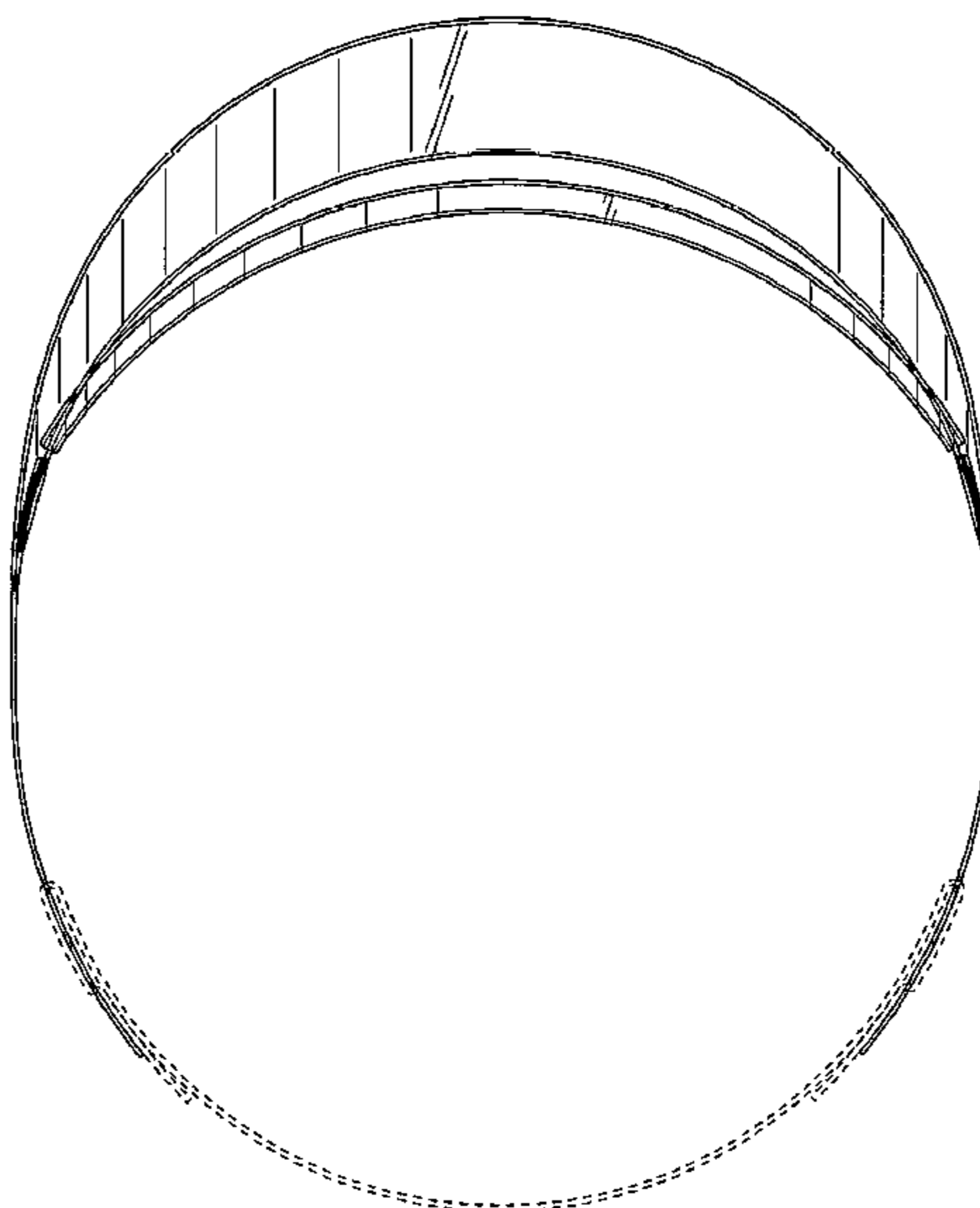
FIG. 6 is a left side view of a helmet face shield in accordance with the invention;

FIG. 7 is a top view of a helmet face shield in accordance with the invention; and,

FIG. 8 is a bottom view of a helmet face shield in accordance with the invention.

The ornamental design for a helmet face shield according to the invention is not limited to the scale shown herein. Functional features of the helmet face shield are shown in the drawings by dashed lines.

1 Claim, 8 Drawing Sheets



(56)

References Cited

U.S. PATENT DOCUMENTS

D963,953 S * 9/2022 Paulson D29/110
D965,912 S * 10/2022 Whitehead D29/110
2022/0125137 A1* 4/2022 Landis A42B 1/0182

OTHER PUBLICATIONS

United States Air Force Face Shield image 002.
SD3D Printing. (2020). SD3D Technical Data Sheet. SD3D Online
3D Print. <https://www.sd3d.com/materials>, p. 1.
Rigid.ink Ltd. (2020). PETG Technical Data Sheet. Rigid.Ink.
<https://www.rigid.ink>, pp. 1-3.

* cited by examiner

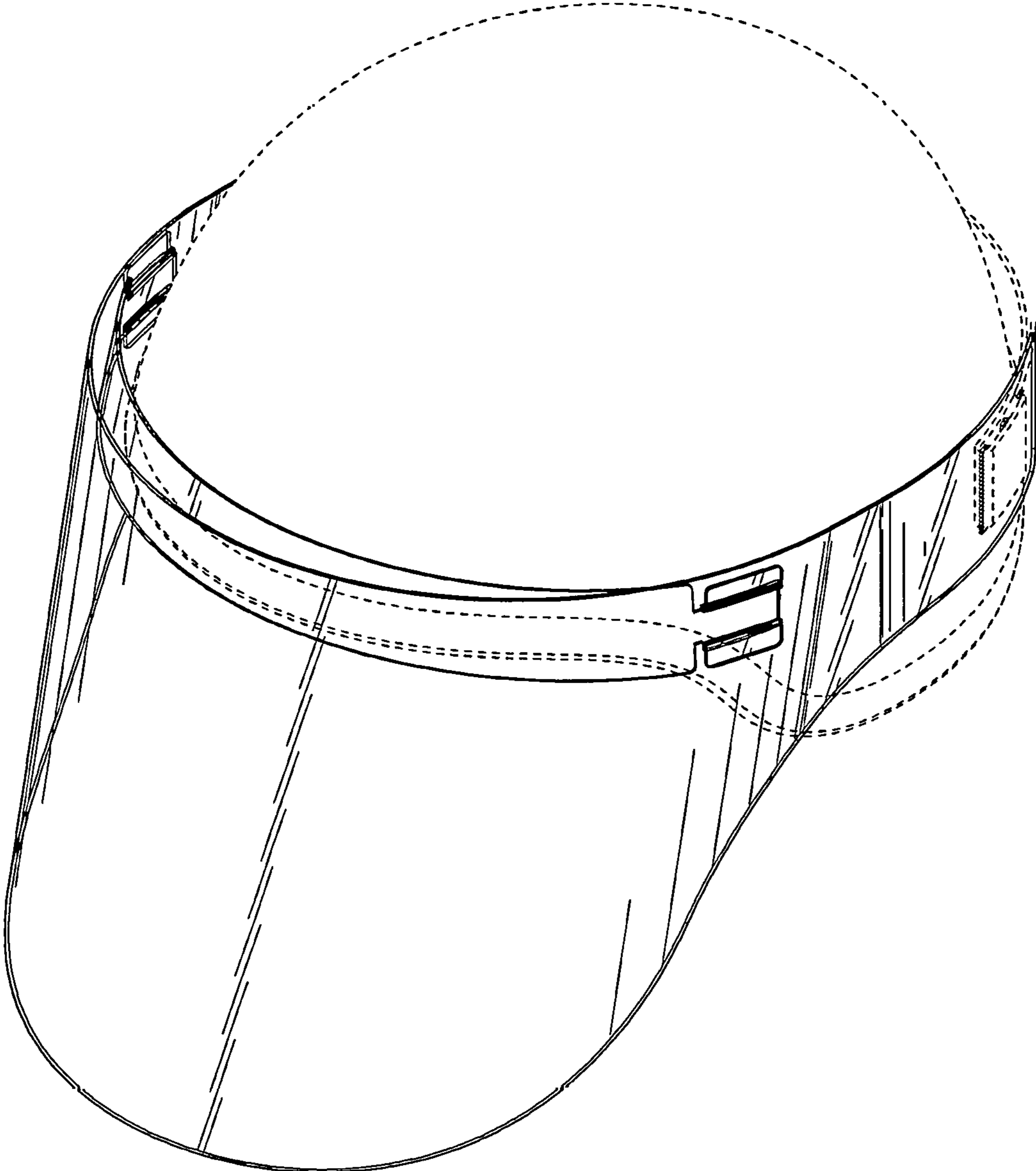


FIG. 1

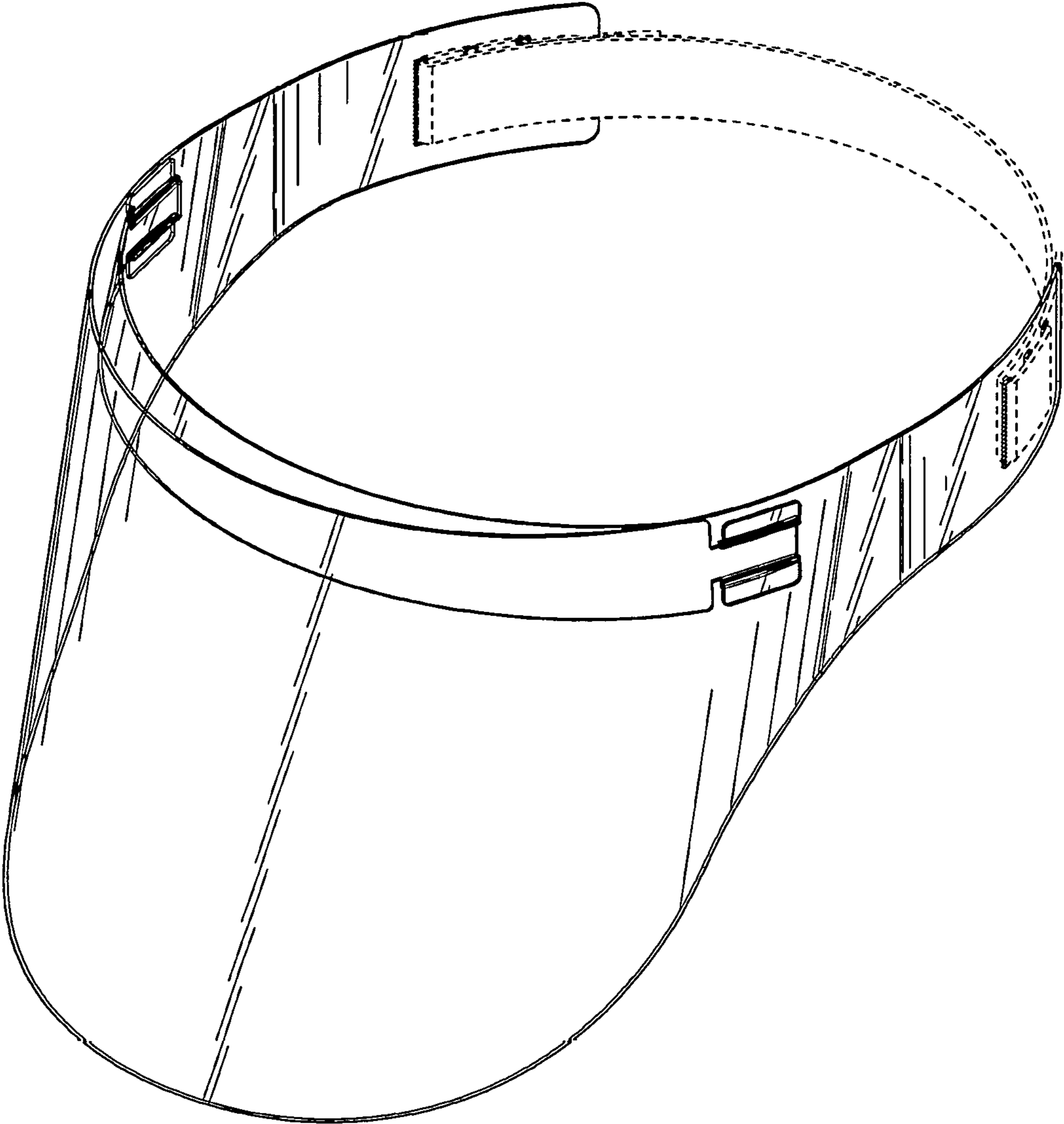


FIG. 2

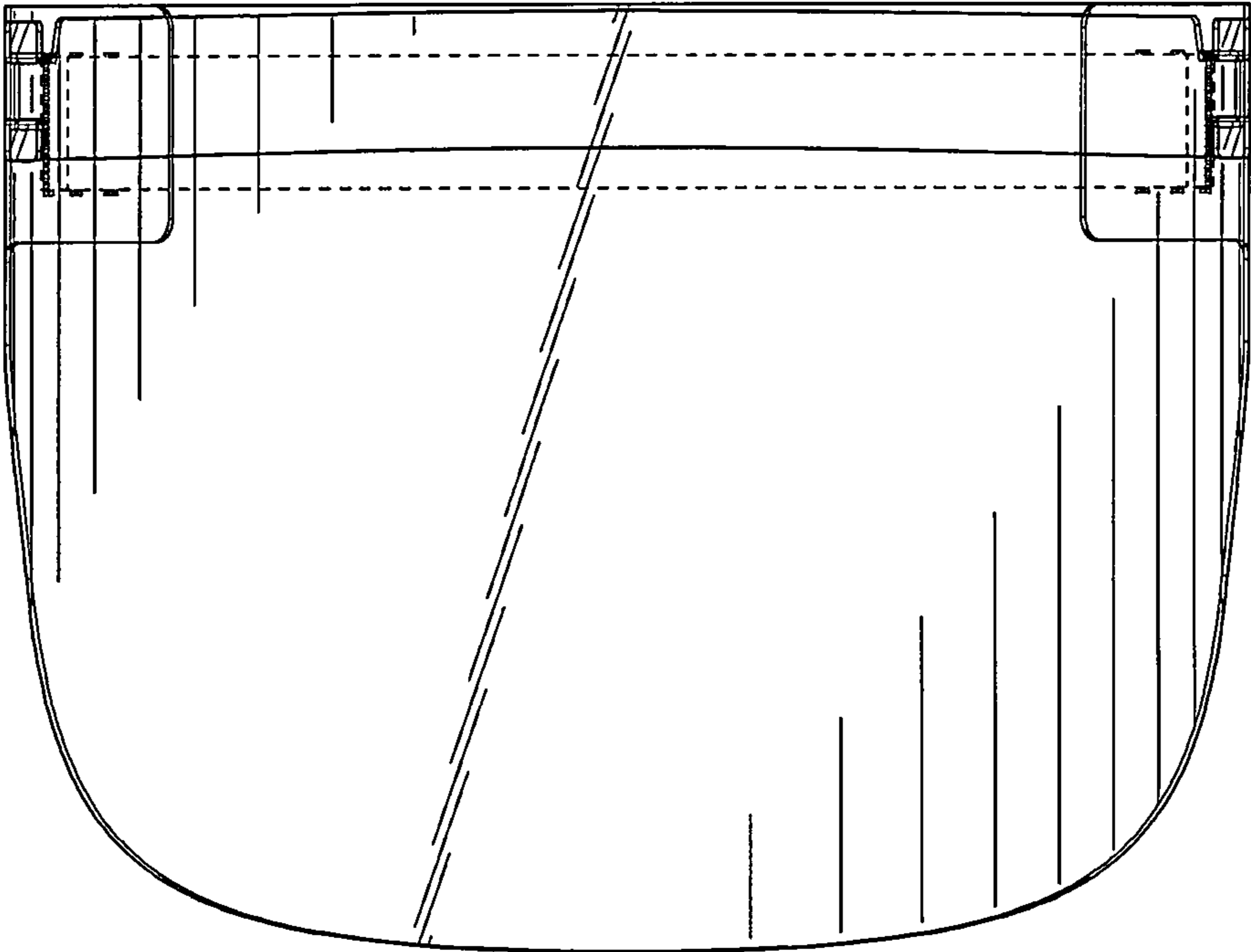


FIG. 3

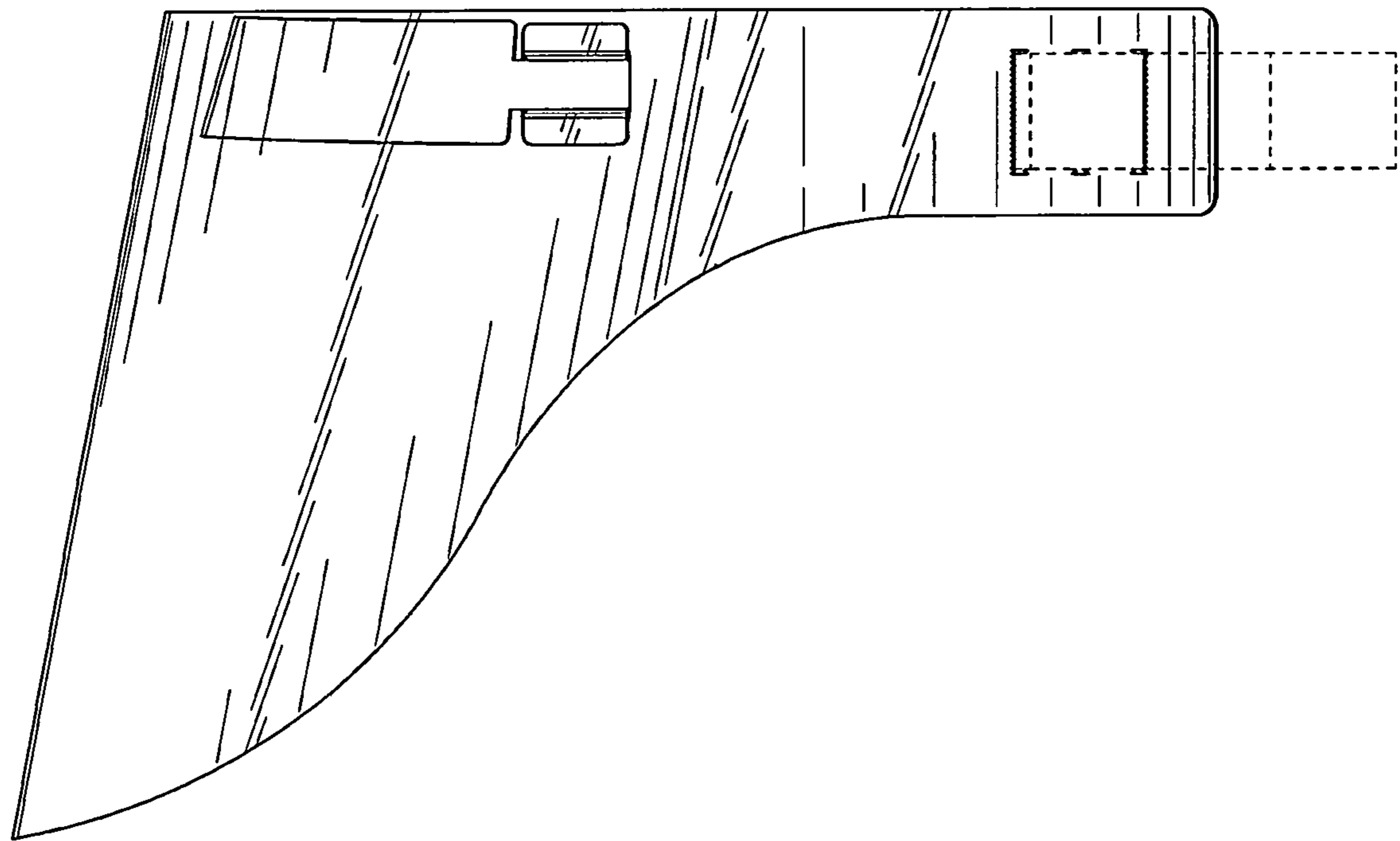


FIG. 4

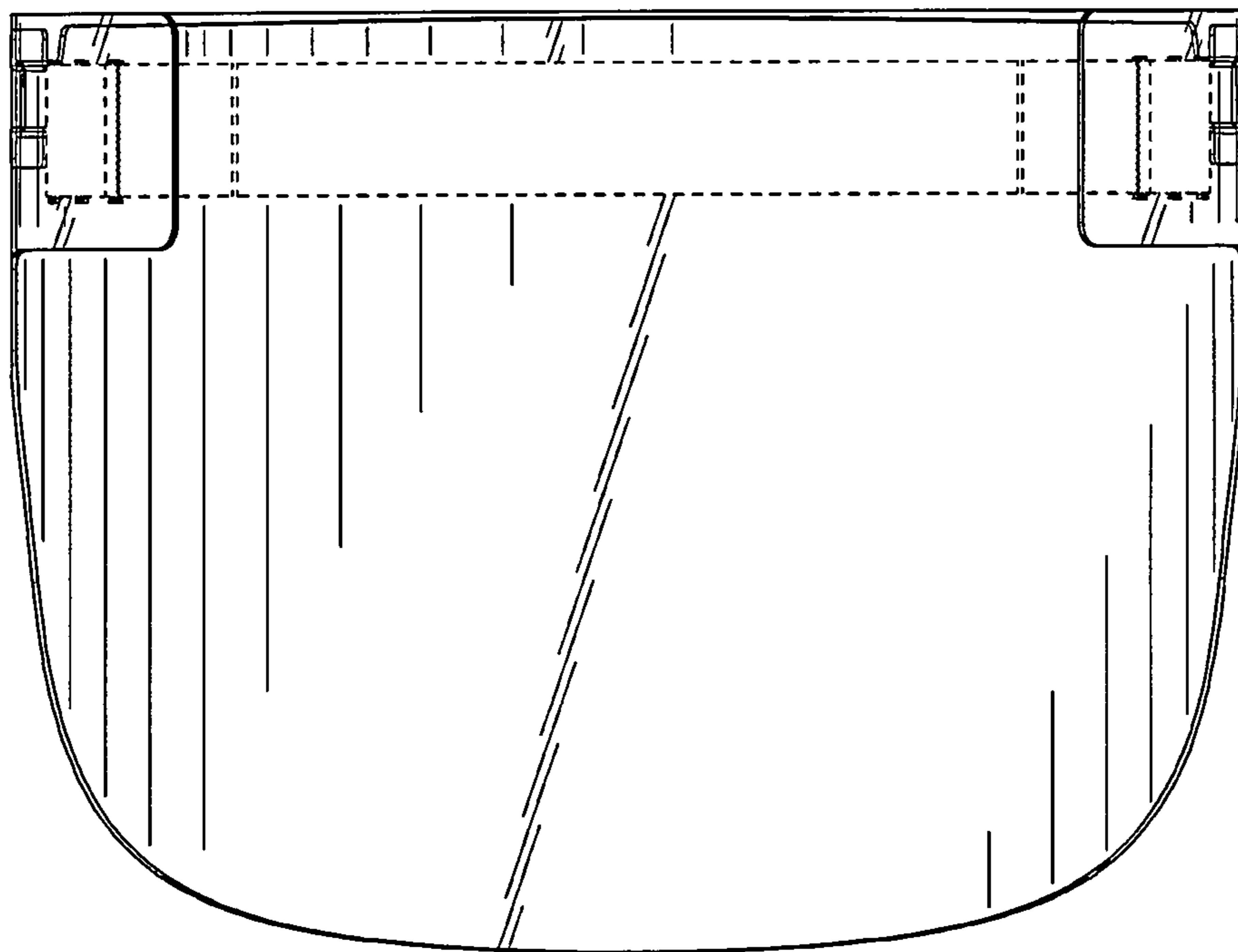


FIG. 5

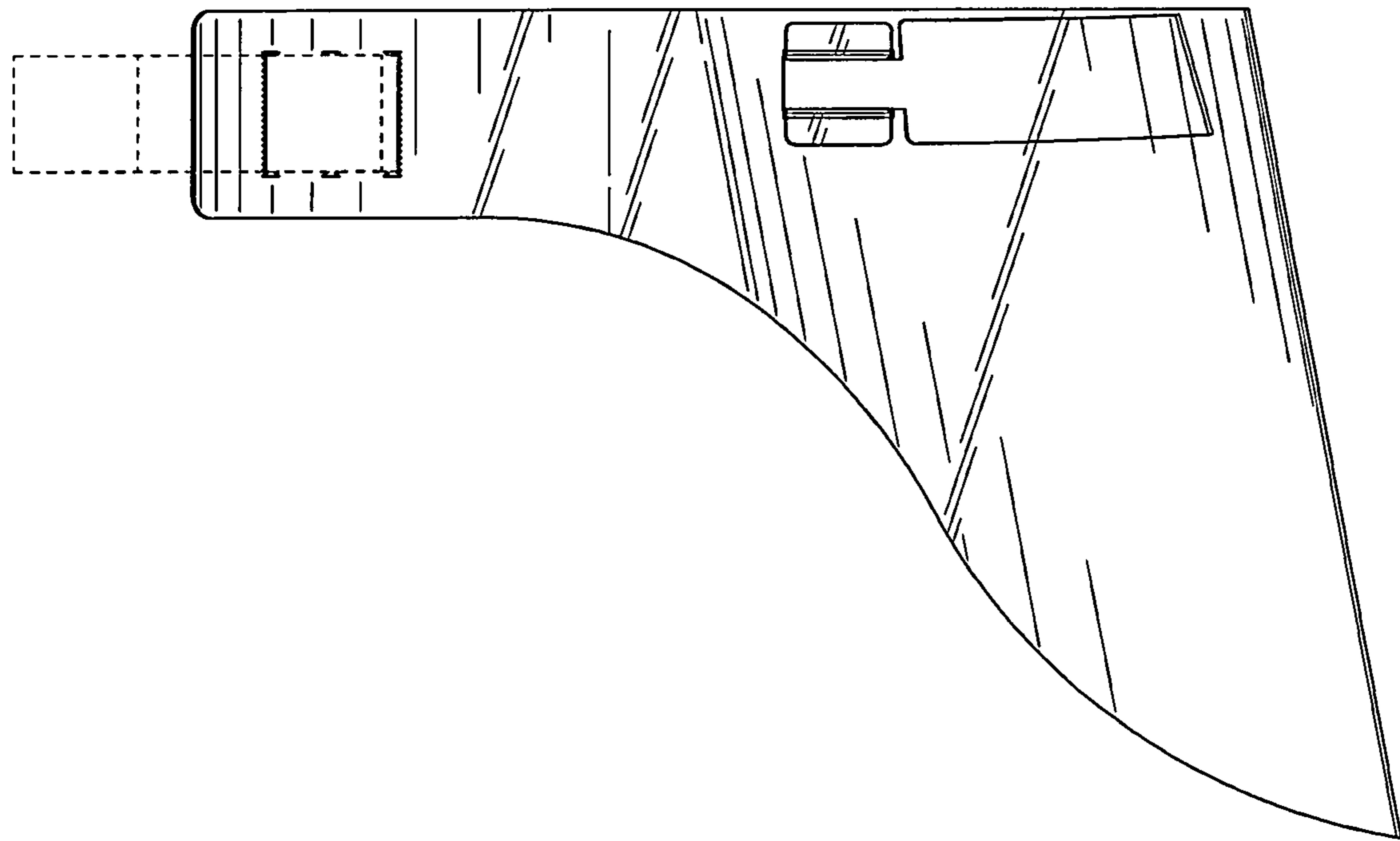


FIG. 6

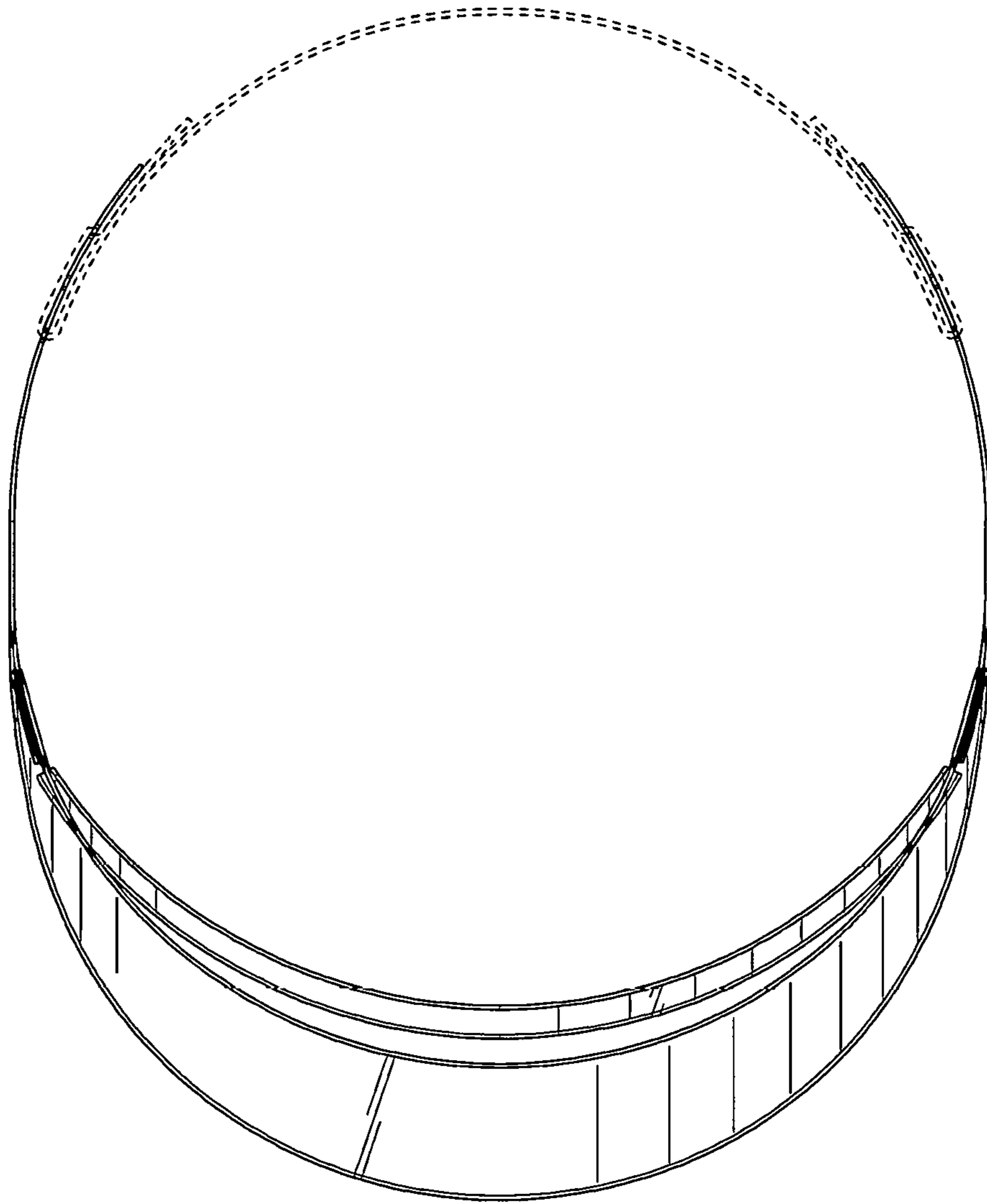


FIG. 7

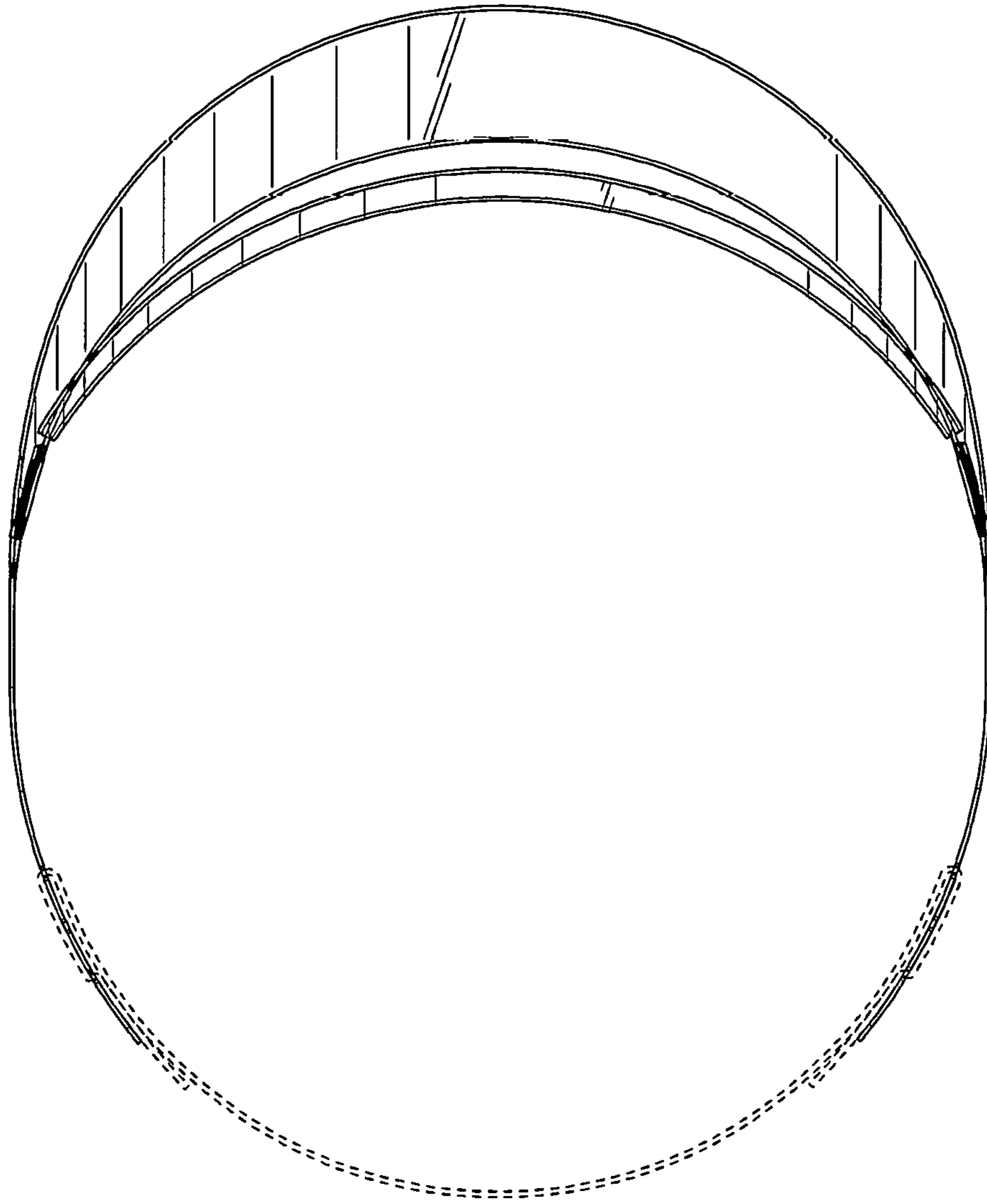


FIG. 8