



US00D973968S

(12) **United States Design Patent** (10) **Patent No.:** **US D973,968 S**  
**Yoo** (45) **Date of Patent:** **\*\* Dec. 27, 2022**

(54) **FACE MASK**

(71) Applicant: **David & Young Group Corp.**,  
Secaucus, NJ (US)

(72) Inventor: **John Yoo**, New York, NY (US)

(73) Assignee: **DAVID & YOUNG GROUP CORP.**,  
Secaucus, NJ (US)

(\*\*) Term: **15 Years**

(21) Appl. No.: **29/745,648**

(22) Filed: **Aug. 7, 2020**

(51) **LOC (13) Cl.** ..... **29-02**

(52) **U.S. Cl.**  
USPC ..... **D29/108**; D24/110.1

(58) **Field of Classification Search**  
USPC ..... D2/865, 866, 867, 875, 877; D16/312;  
D24/110.1, 110.2, 110.4; D29/105, 107,  
D29/108, 110, 122, 129  
CPC . A41D 13/11; A41D 13/1107; A41D 13/1115;  
A41D 13/1123; A41D 13/113; A41D  
13/1138; A41D 13/1146; A41D 13/1153;  
A41D 13/1161; A42B 3/225; A42B  
1/012; A42B 1/045

See application file for complete search history.

(56) **References Cited**

**U.S. PATENT DOCUMENTS**

- D803,391 S \* 11/2017 Reese ..... D24/110.1
- 11,064,744 B1 \* 7/2021 Palacios ..... A41D 13/1107
- D937,405 S \* 11/2021 Mallady, Jr. .... D24/110.1
- D947,363 S \* 3/2022 Eldibany ..... D29/108
- D947,364 S \* 3/2022 Eldibany ..... D24/110.4
- D947,365 S \* 3/2022 Eldibany ..... D29/108
- D958,322 S \* 7/2022 Conley ..... D24/110.4
- 2020/0329792 A1 \* 10/2020 Howard ..... A41D 13/11
- 2021/0368874 A1 \* 12/2021 Eldibany ..... A62B 18/086
- 2022/0016452 A1 \* 1/2022 Weiss ..... A41D 13/11

- 2022/0022571 A1 \* 1/2022 Araujo ..... A41D 13/1107
- 2022/0118292 A1 \* 4/2022 Sareen ..... A62B 18/08
- 2022/0176170 A1 \* 6/2022 Daniels ..... A41D 13/1107

**OTHER PUBLICATIONS**

Activity Mask with mouth opening for Drinking . . . [online]; [date first available to the internet on Mar. 1, 2021]; [retrieved from the internet on Jul. 31, 2022]; URL: [https://www.amazon.com/Activity-Drinking-Exercising-Breathing-Reusable/dp/B08XR1FKDG/ref=sr\\_1\\_3?crid=Y6WHUAVK79EB&keywords=face+mask+with+flap&qid=1659279386&sr=8-3&prefix=face+mask+with+flap%2Caps%2C76&sr=8-3](https://www.amazon.com/Activity-Drinking-Exercising-Breathing-Reusable/dp/B08XR1FKDG/ref=sr_1_3?crid=Y6WHUAVK79EB&keywords=face+mask+with+flap&qid=1659279386&sr=8-3&prefix=face+mask+with+flap%2Caps%2C76&sr=8-3). (8 pages). (Year: 2021).\*

Magical Doorway Masks, [online]; [review published to the internet on Oct. 2, 2020]; [retrieved from the internet on Jul. 31, 2022]; URL: [https://www.amazon.com/Magical-Doorway-Masks-L-Black/dp/B08JCX51CR/ref=sr\\_1\\_1?keywords=Magical%2BDoorway&qid=1659281342&sr=8-1&th=1](https://www.amazon.com/Magical-Doorway-Masks-L-Black/dp/B08JCX51CR/ref=sr_1_1?keywords=Magical%2BDoorway&qid=1659281342&sr=8-1&th=1). (7 pages). (Year: 2020).\*

\* cited by examiner

*Primary Examiner* — Jasmine Mlinarcik  
(74) *Attorney, Agent, or Firm* — Susan Paik, Esq.

(57) **CLAIM**

The ornamental design for a face mask, as shown and described.

**DESCRIPTION**

FIG. 1 is a front perspective view of the face mask showing my new design;

FIG. 2 is a front perspective view of the face mask of FIG. 1, showing an open front flap according to an alternate view;

FIG. 3 is a front view of the face mask of FIG. 1;

FIG. 4 is a rear view thereof;

FIG. 5 is a right side view thereof;

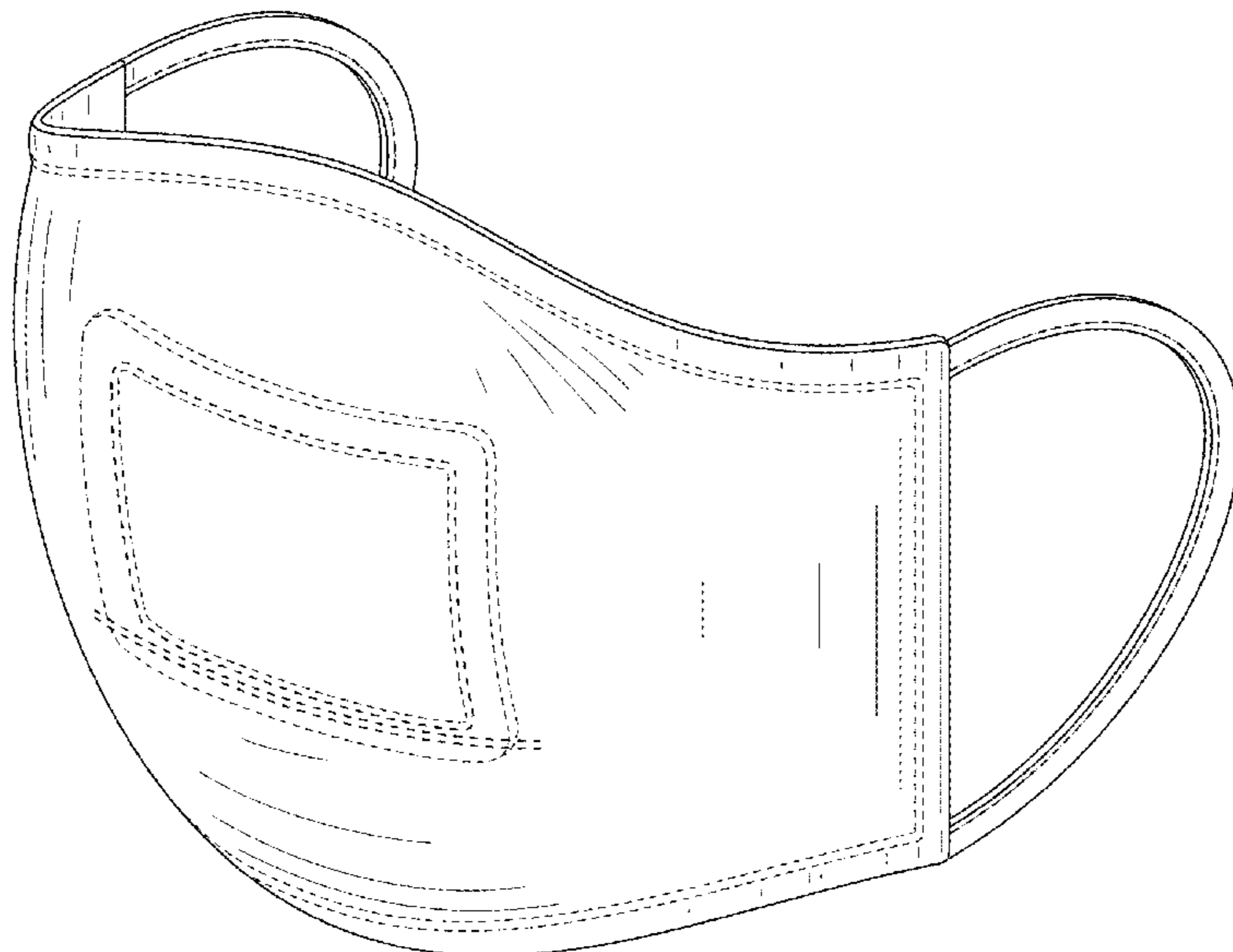
FIG. 6 is a left side view thereof;

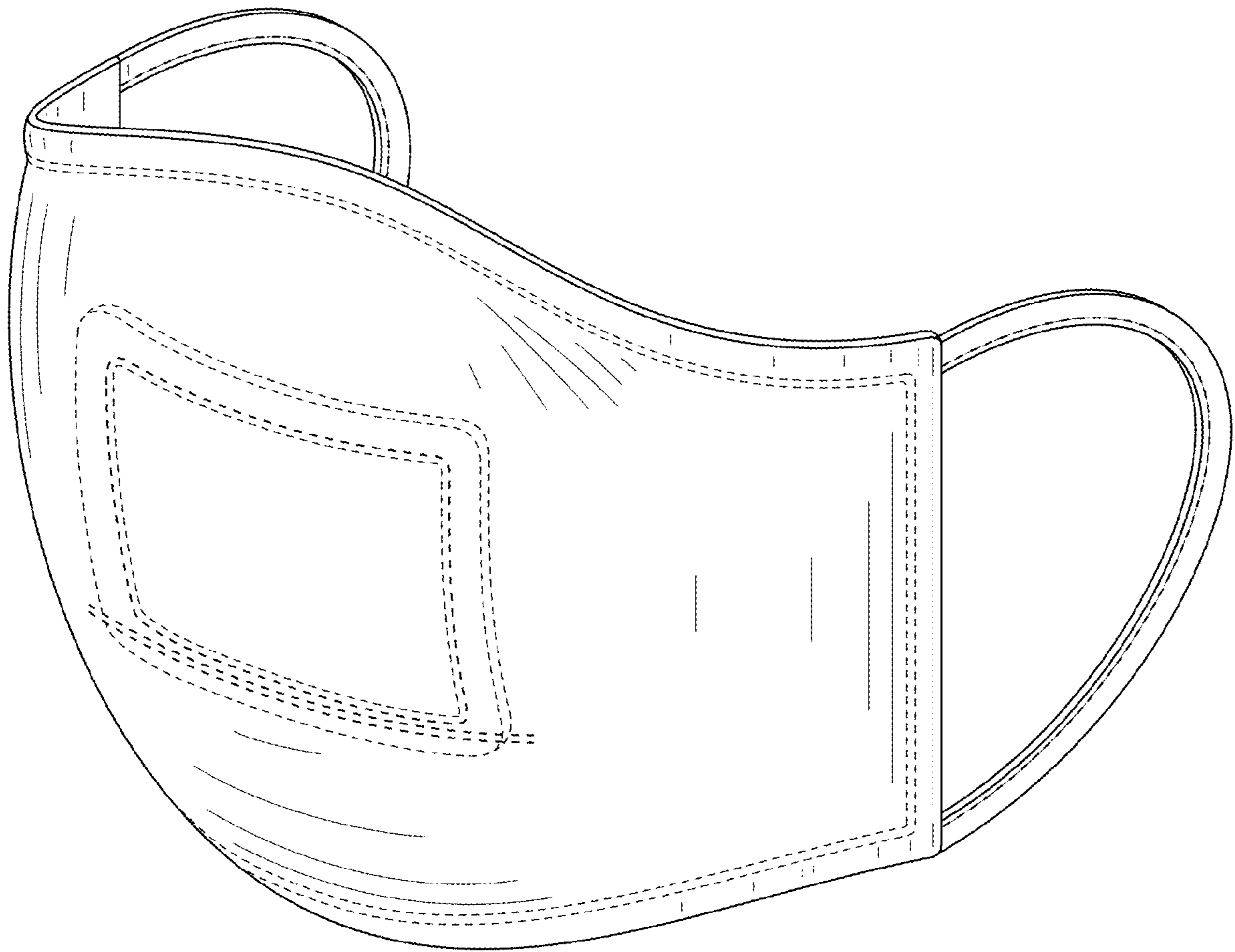
FIG. 7 is a top view thereof; and,

FIG. 8 is a bottom view thereof.

The broken lines depict portions of the face mask that form no part of the claimed design.

**1 Claim, 8 Drawing Sheets**





**FIG. 1**

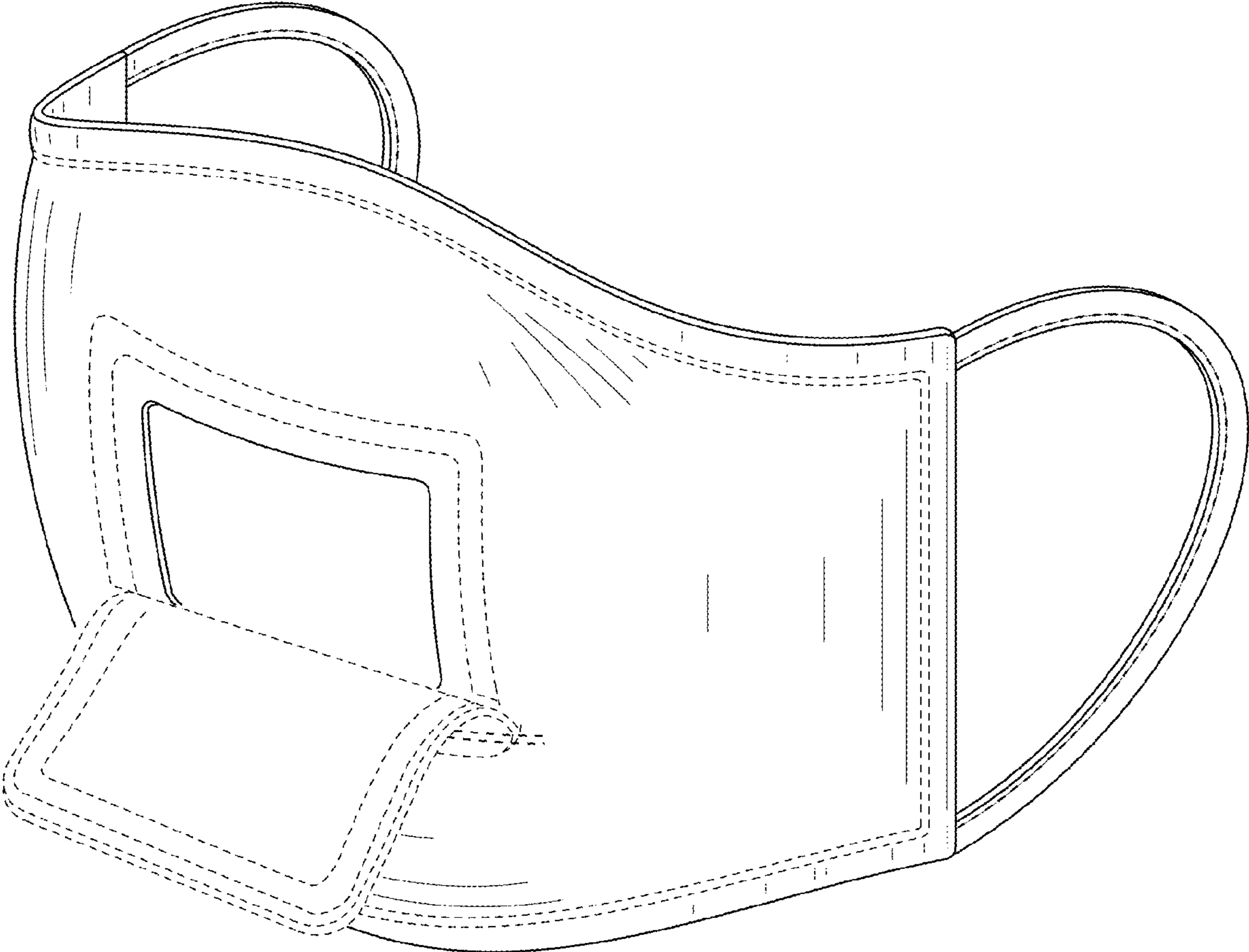
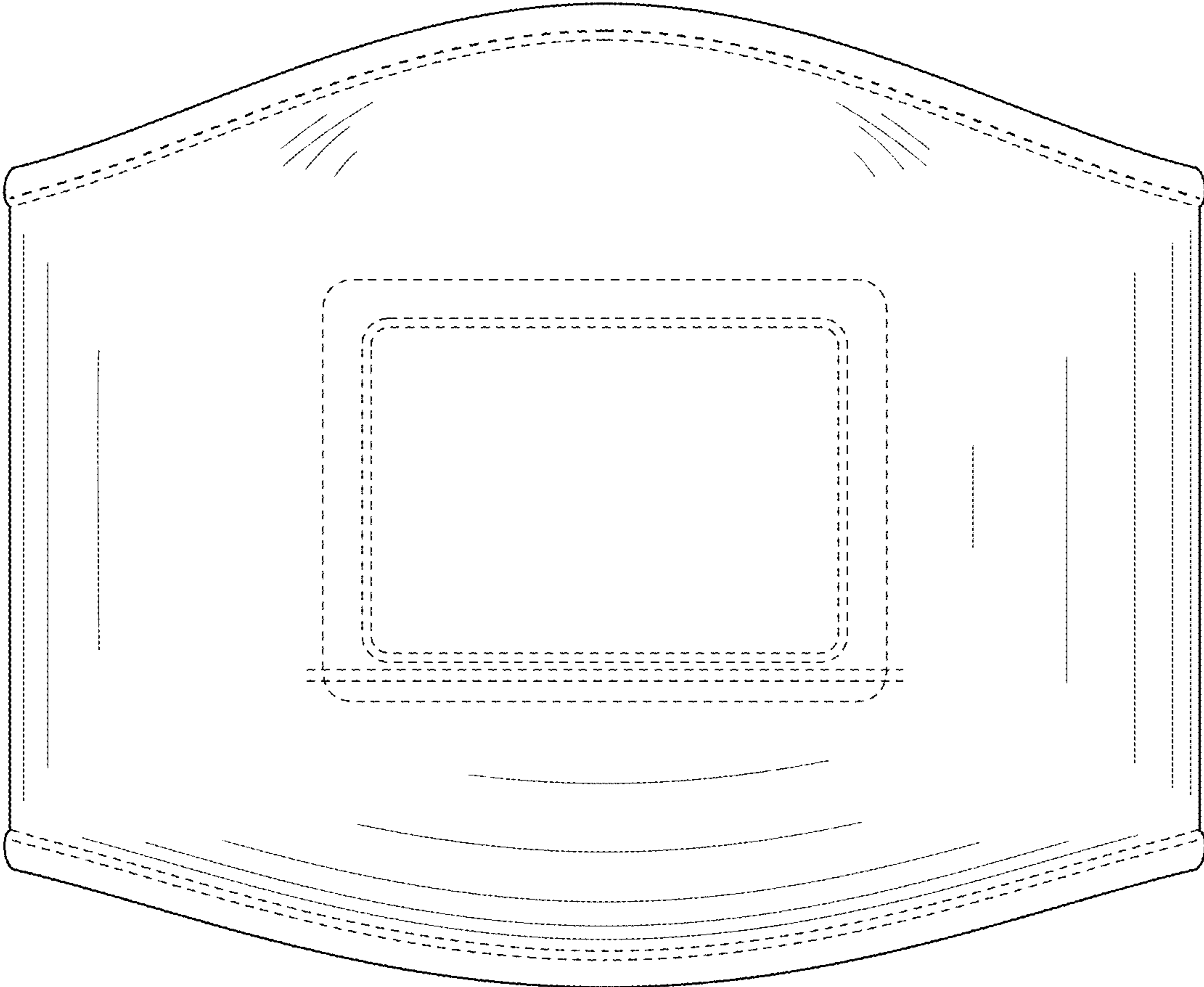
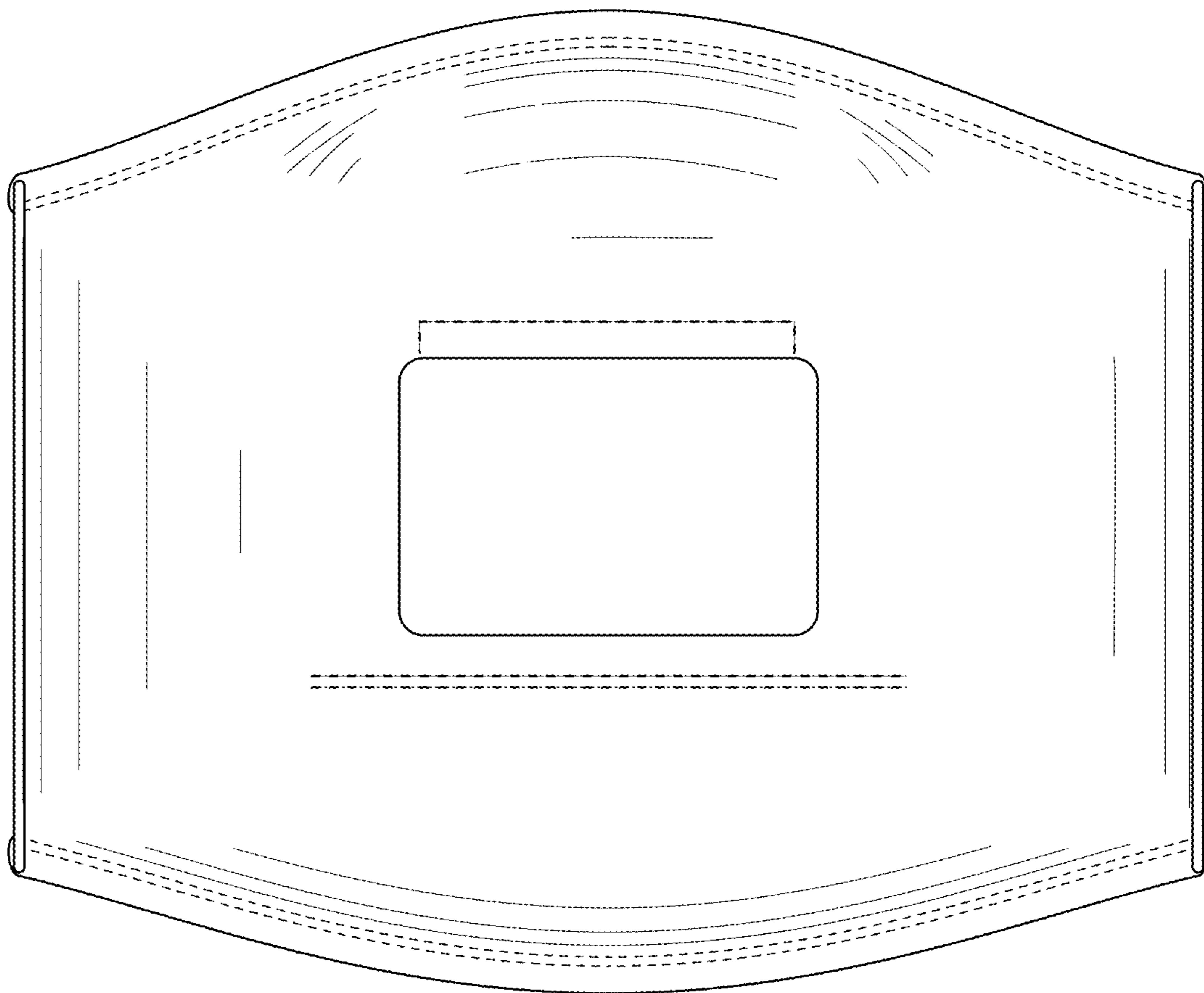


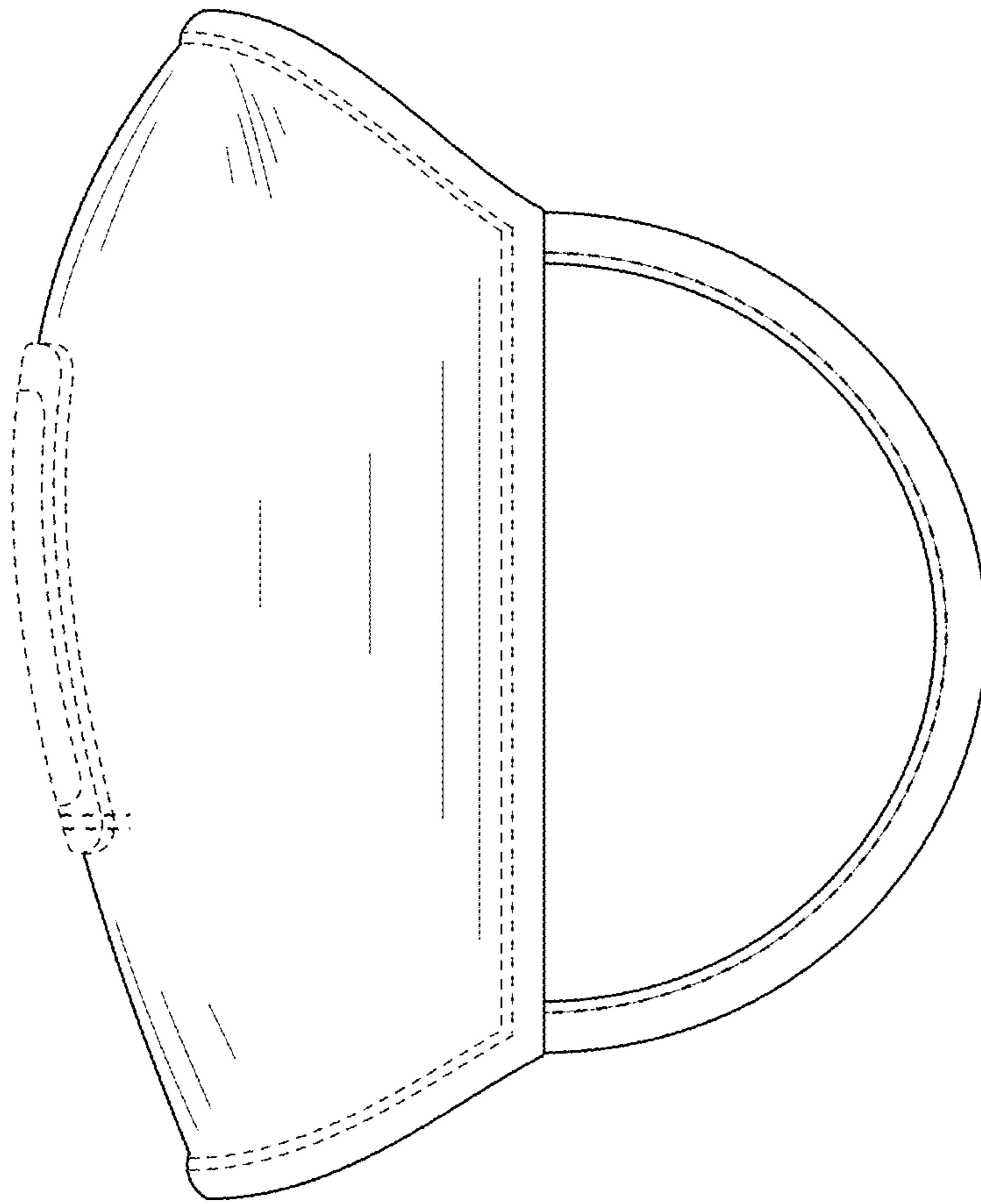
FIG. 2



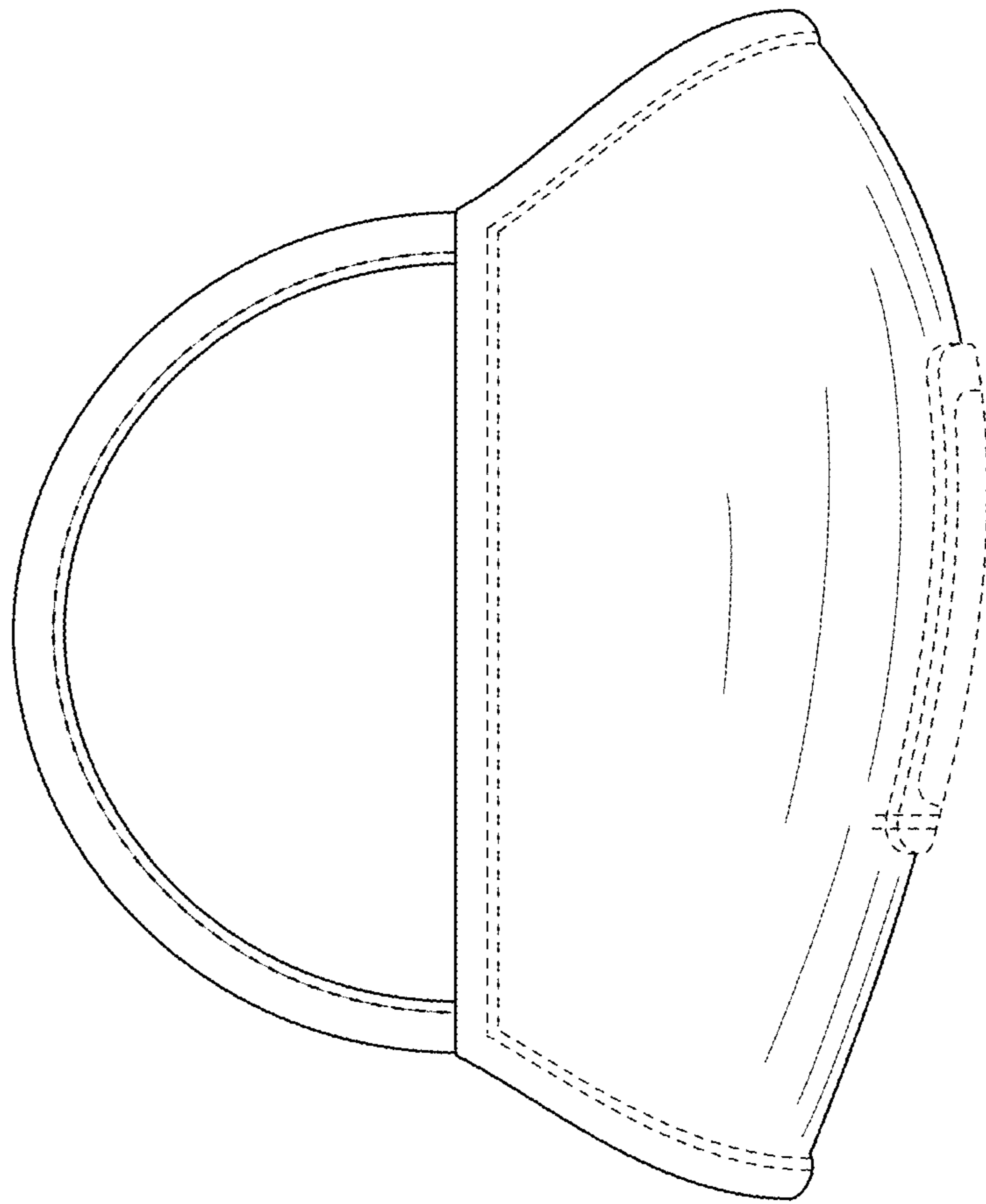
**FIG. 3**



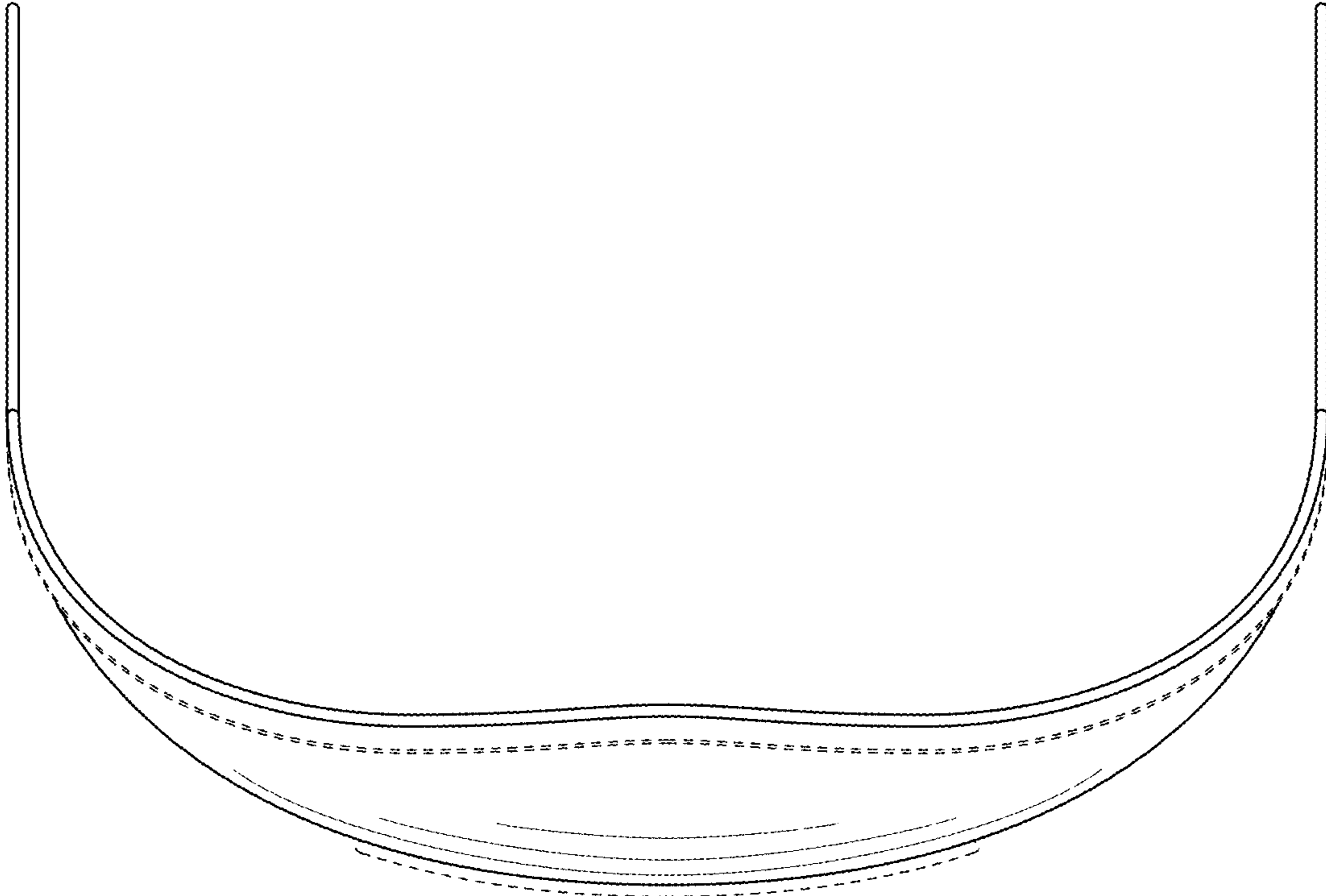
**FIG. 4**



**FIG. 5**

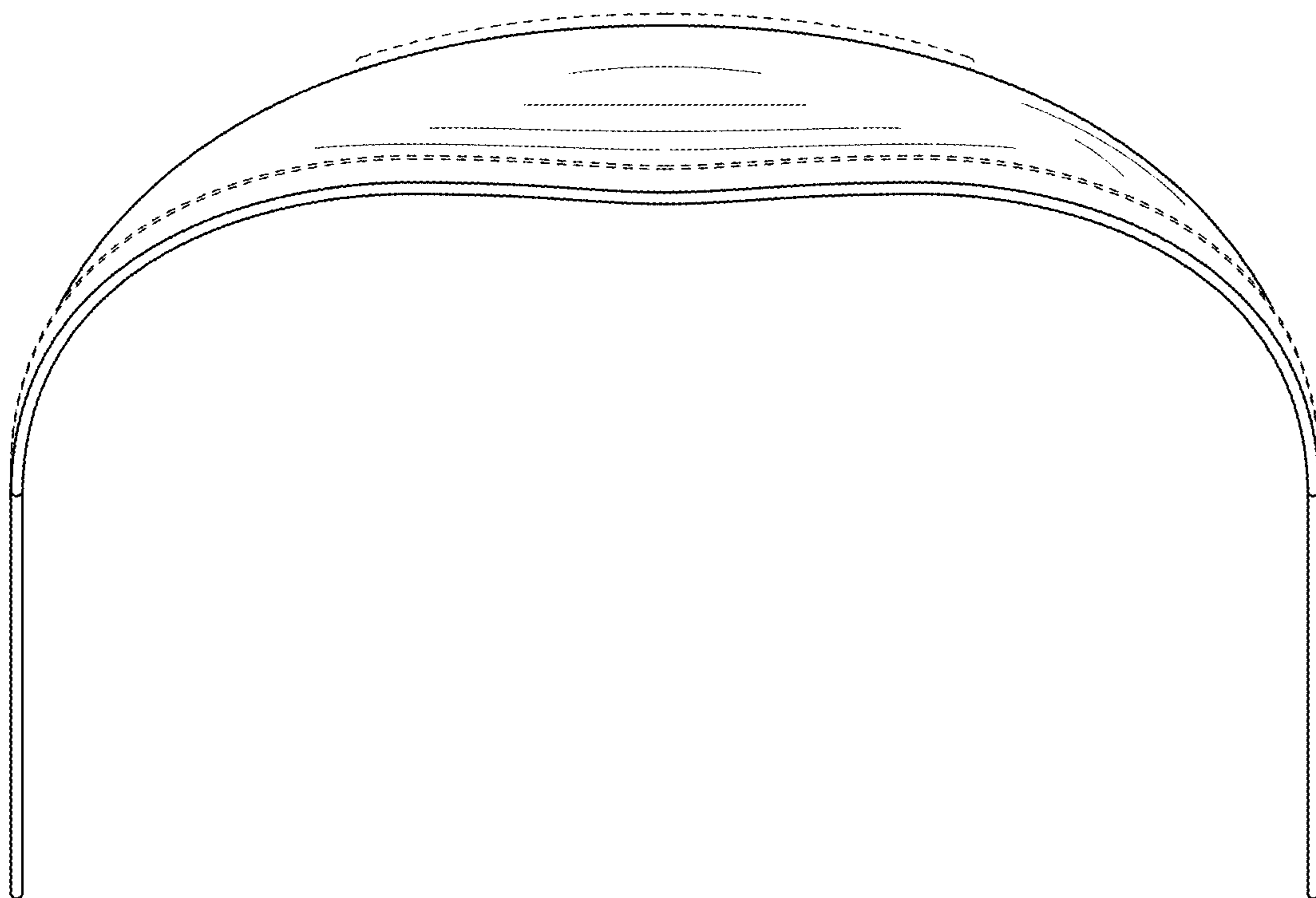


**FIG. 6**



**FIG. 7**





**FIG. 8**