



US00D973965S

(12) **United States Design Patent** (10) **Patent No.:** **US D973,965 S**  
**Kerr** (45) **Date of Patent:** **\*\* \*Dec. 27, 2022**

- (54) **TRAVEL CASE**
- (71) Applicant: **Jennifer L. Kerr**, Nashville, TN (US)
- (72) Inventor: **Jennifer L. Kerr**, Nashville, TN (US)
- (\*) Notice: This patent is subject to a terminal disclaimer.
- (\*\*) Term: **15 Years**
- (21) Appl. No.: **29/788,211**
- (22) Filed: **Apr. 13, 2021**

D709,651	S	*	7/2014	Gaito	.....	D28/83
D831,275	S	*	10/2018	Maynard	.....	D28/83
D880,070	S	*	3/2020	Kaiser	.....	D28/83
10,602,818	B1	*	3/2020	Kerr	.....	B65D 25/10
D891,754	S	*	8/2020	Westad	.....	D3/201
D908,968	S	*	1/2021	Goswell	.....	D28/83
D916,375	S	*	4/2021	Kerr	.....	D3/901
D918,478	S	*	5/2021	McGrath	.....	D28/83
2011/0174680	A1	*	7/2011	Arvin	.....	A45D 33/00 206/581
2020/0375327	A1	*	12/2020	Kerr	.....	B65D 25/107

**Related U.S. Application Data**

- (63) Continuation of application No. 29/692,828, filed on May 29, 2019, now Pat. No. Des. 916,375.
- (51) **LOC (13) Cl.** ..... **28-03**
- (52) **U.S. Cl.**  
USPC ..... **D28/76; D3/901**
- (58) **Field of Classification Search**  
USPC ..... D28/7, 73, 76-84, 88, 90, 99;  
D9/503-505, 721, 722, 740, 529, 420,  
D9/425, 428, 456, 418; D3/201, 203.2,  
D3/203.3, 20, 205, 264, 901  
CPC .... A45D 33/00; A45D 33/006; A45D 33/003;  
A45D 33/04-33; A45D 33/025; A45D  
33/02; A45D 33/20; A45D 33/22; A45D  
33/24; A45D 33/26; A45D 33/28; A45D  
33/18  
See application file for complete search history.

**References Cited**

**U.S. PATENT DOCUMENTS**

D252,072	S	*	6/1979	Bridges	.....	D3/203.3
D433,939	S	*	11/2000	Humphrey	.....	D9/418
D566,388	S	*	4/2008	Nevins	.....	D3/264
D651,872	S	*	1/2012	Kemper	.....	D7/592

**OTHER PUBLICATIONS**

The Original High Fiver—Palette by Pak, reviewed on Feb. 13, 2020 on amazon.com, retrieved on Jun. 16, 2022, retrieved from the Internet URL: [https://www.amazon.com/Original-High-Fiver-Palette-pak/dp/B083ZLNZLM7/ref=cm\\_cr\\_arp\\_d\\_product\\_top?ie=UTF8](https://www.amazon.com/Original-High-Fiver-Palette-pak/dp/B083ZLNZLM7/ref=cm_cr_arp_d_product_top?ie=UTF8).\*

\* cited by examiner

*Primary Examiner* — Alison M Ofstun

(74) *Attorney, Agent, or Firm* — Robinson IP Law, PLLC

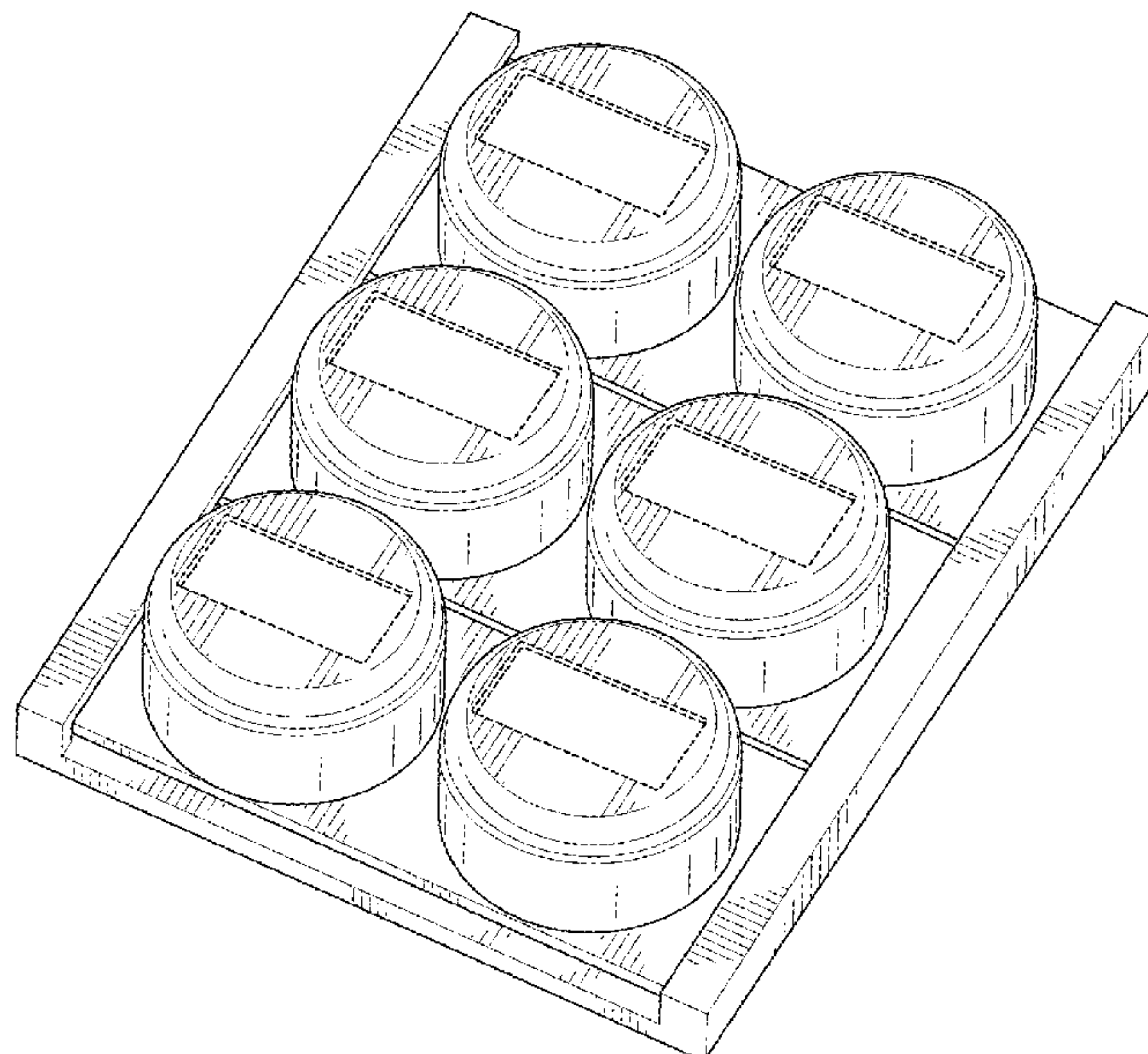
**CLAIM**

(57) The ornamental design for a travel case, as shown and described.

**DESCRIPTION**

FIG. 1 is a front perspective view of the travel case; FIG. 2 is a top plan view thereof; FIG. 3 is a bottom plan view thereof; FIG. 4 is a left elevational view thereof; FIG. 5 is a right elevational view thereof; FIG. 6 is a front elevational view thereof; FIG. 7 is a rear elevational view thereof; and, FIG. 8 is an exploded view thereof. In the drawings, the broken lines illustrate portions of the travel case that form no part of the claimed design.

**1 Claim, 6 Drawing Sheets**



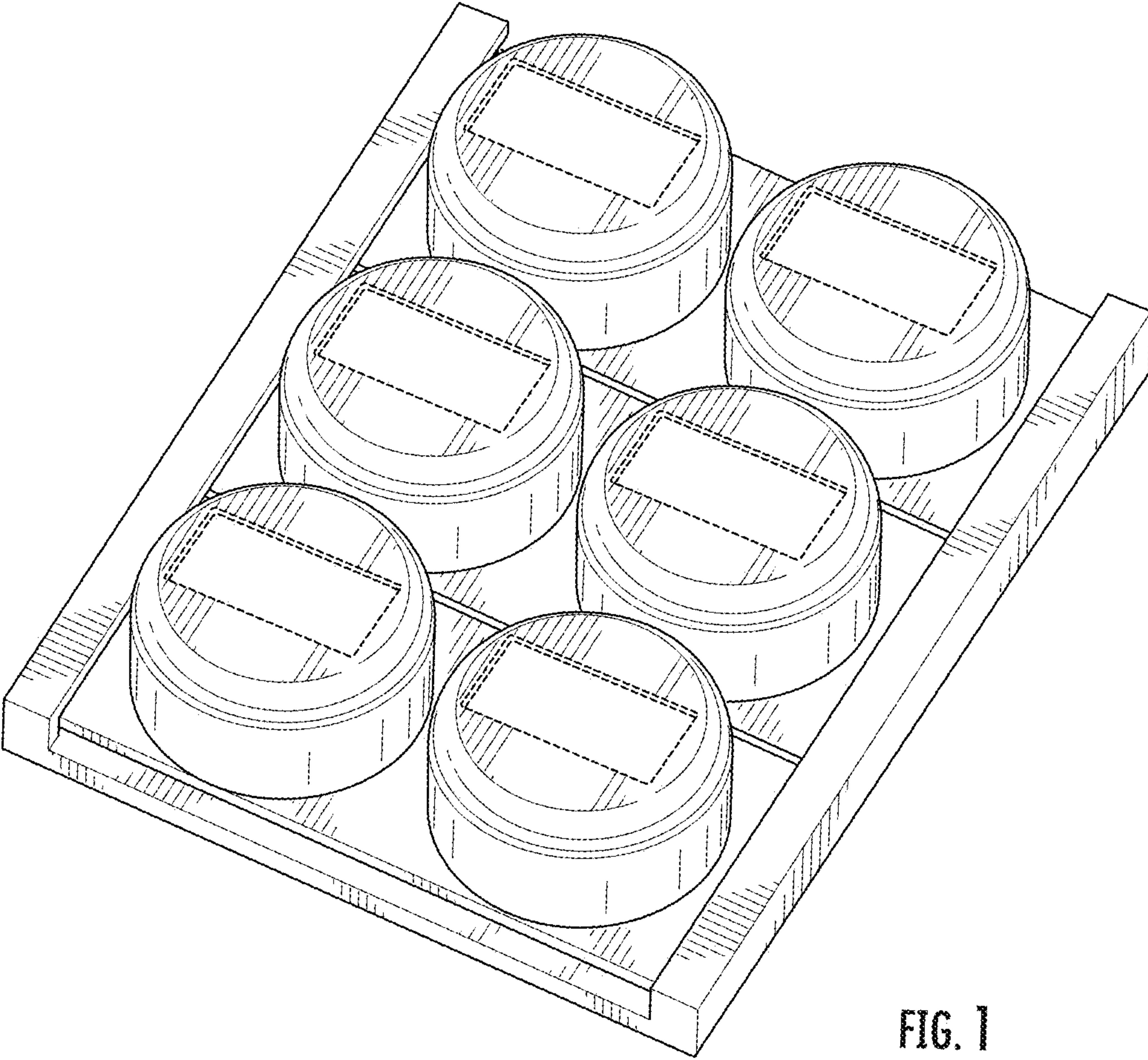


FIG. 1

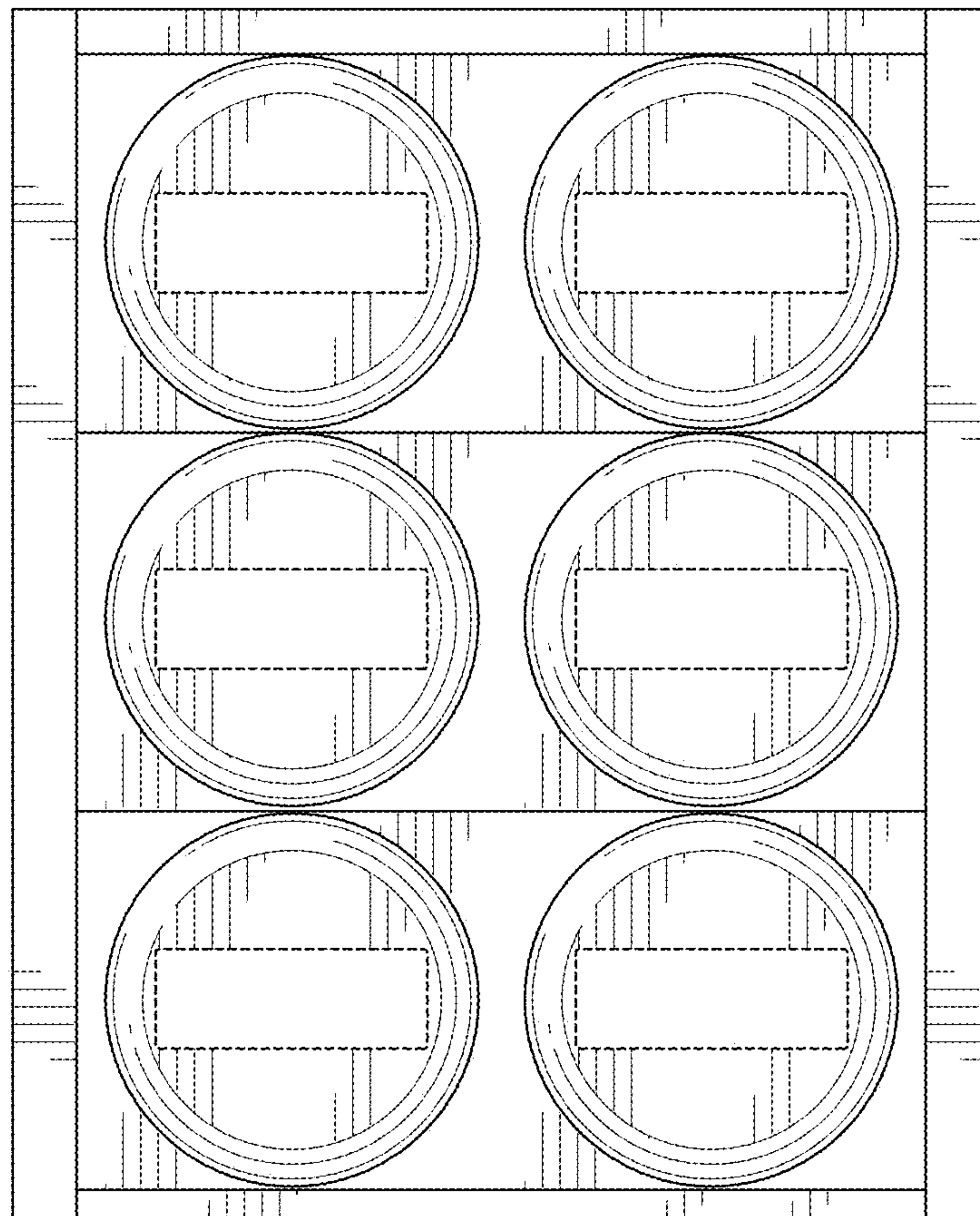


FIG. 2

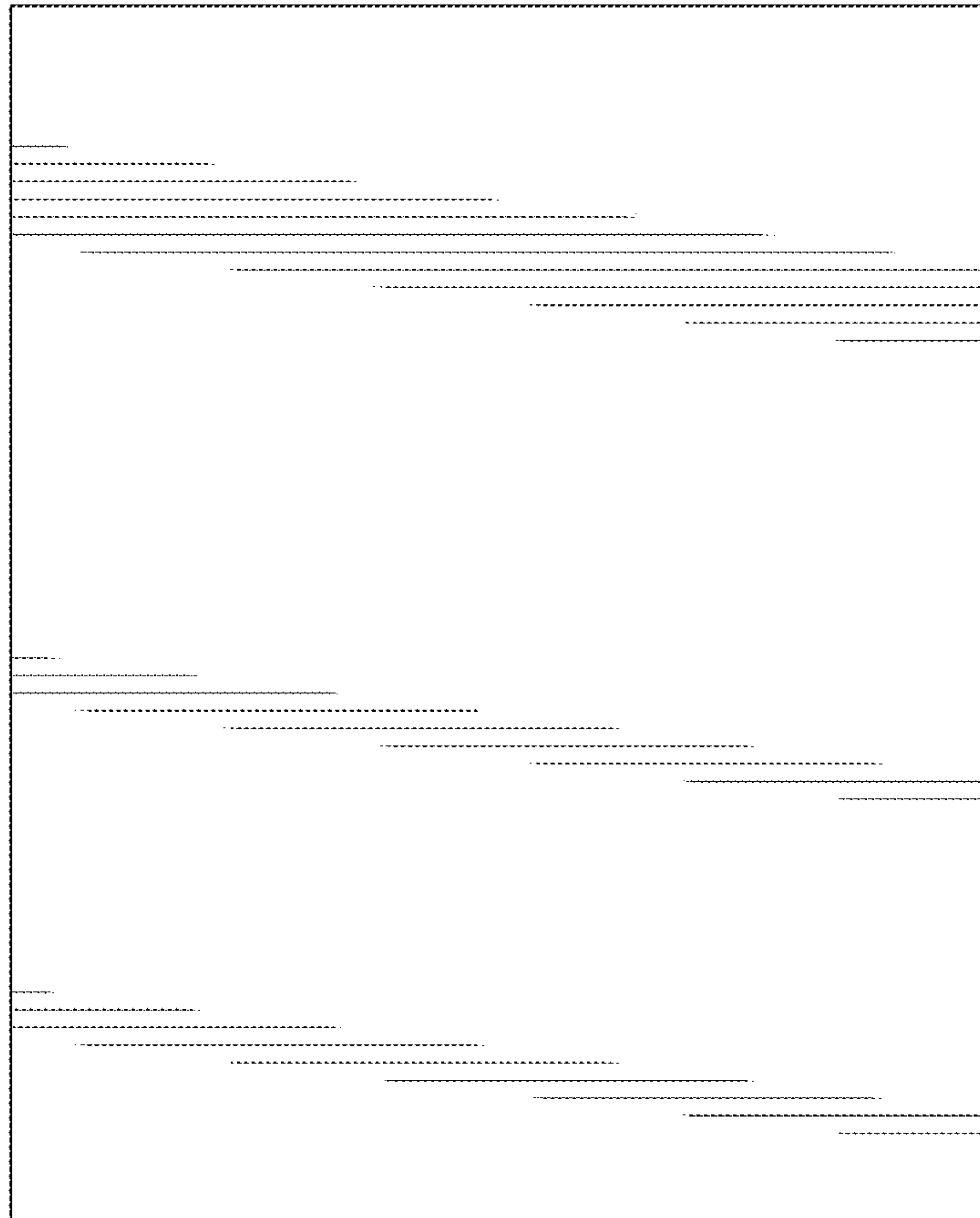


FIG. 3



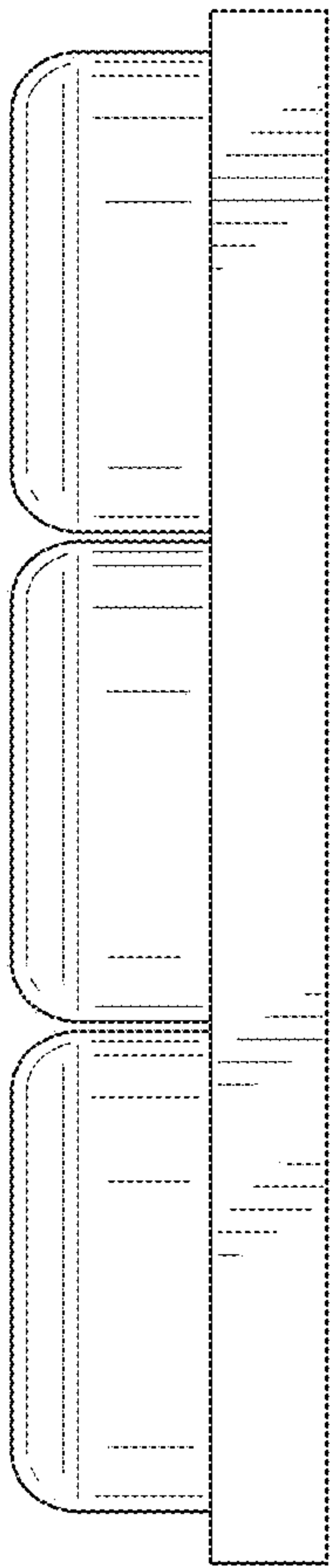


FIG. 4

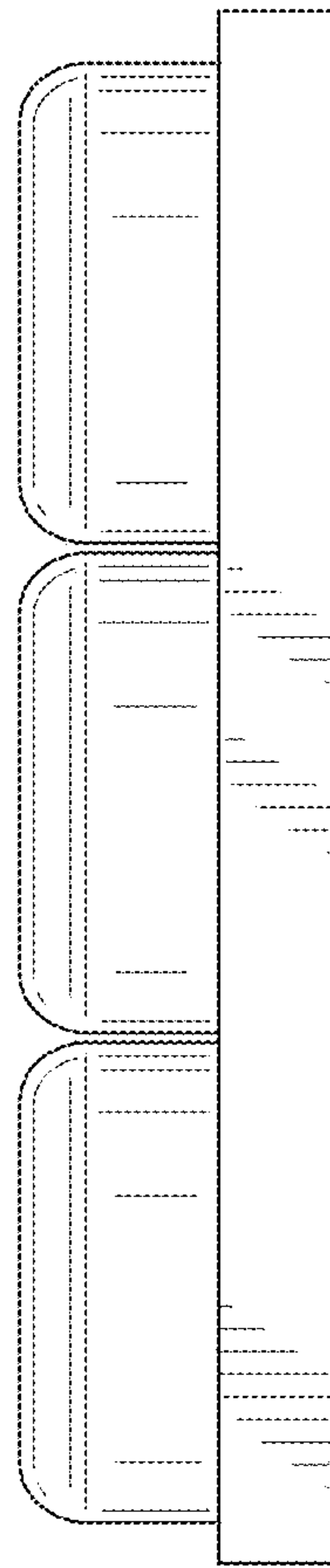


FIG. 5

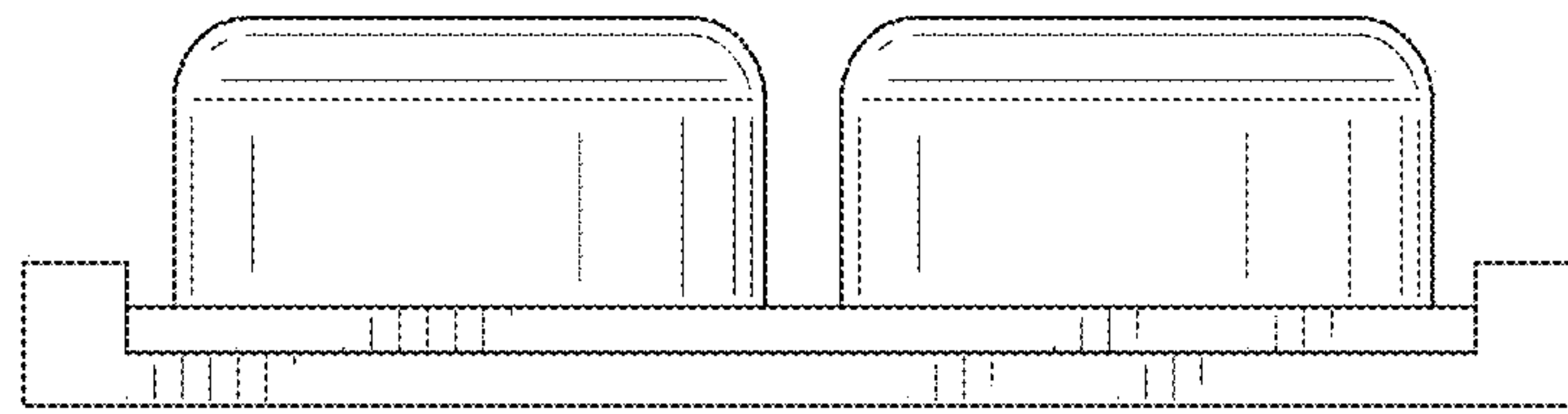


FIG. 6

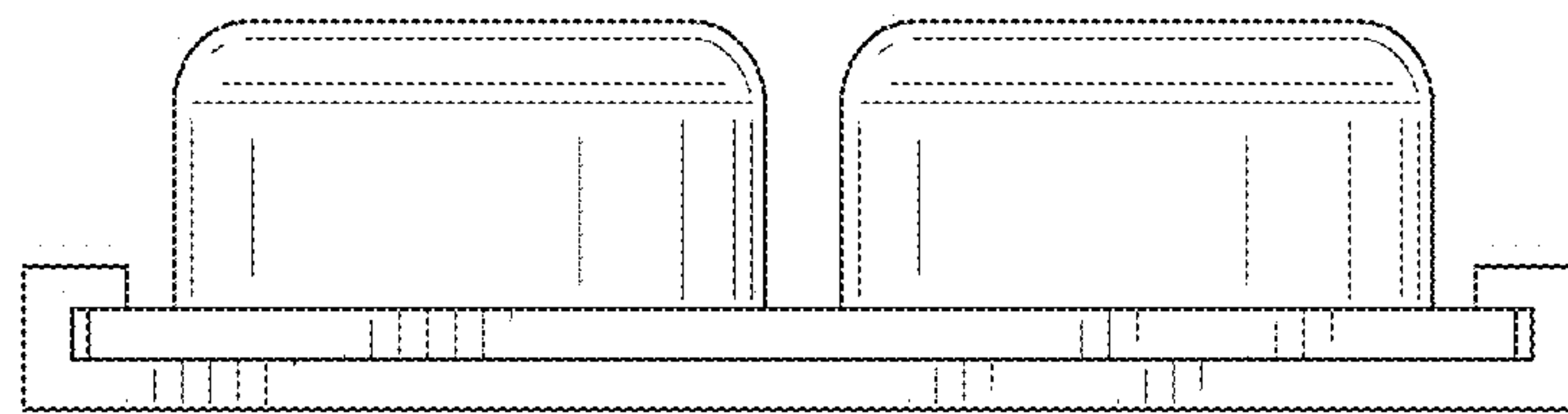


FIG. 7

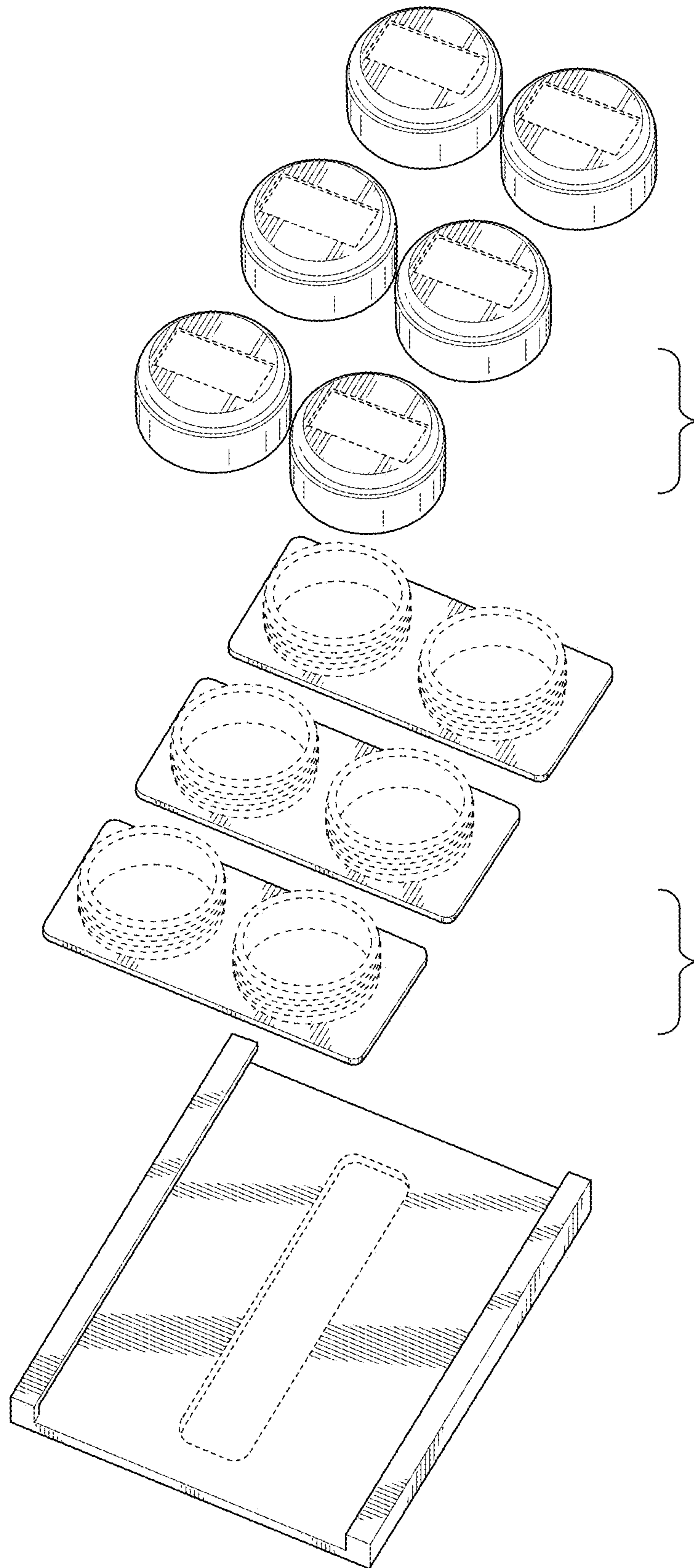


FIG. 8