



US00D973962S

(12) **United States Design Patent** (10) **Patent No.:** **US D973,962 S**
Xu (45) **Date of Patent:** **** Dec. 27, 2022**

(54) **LONG HANDLE TOENAIL CLIPPER** 8,472,129 B1 * 6/2013 Trask G02B 25/005
359/803
(71) Applicant: **NINGBO CYANBULLS INDUSTRY** 9,486,051 B1 * 11/2016 Robinson A45D 29/02
& **TRADE CO., LTD.,** Ningbo (CN) D919,889 S 5/2021 Park
2002/0092170 A1 * 7/2002 Anctil A61B 17/54
30/28
(72) Inventor: **Jianfeng Xu,** Ningbo (CN) 2003/0094183 A1 * 5/2003 Shaw A45D 29/18
132/75.3
(73) Assignee: **NINGBO CYANBULLS INDUSTRY** 2005/0103356 A1 * 5/2005 Edman A45D 29/22
& **TRADE CO., LTD.,** Ningbo (CN) 132/76.4

(Continued)

(**) Term: **15 Years**

OTHER PUBLICATIONS

(21) Appl. No.: **29/811,244**

Long Handled Toenail Clippers by Scalebeard, first available on Dec. 17, 2020, retrieved on Jun. 21, 2022, retrieved from: https://www.amazon.com/Clippers-Arthritis-Auxiliary-XS-Length-19-68Inch/dp/B08QVLR3WS/ref=asc_df_B08QVLR3WS/?tag=hyprod-20&linkCode=df0&hvadid=508464252719&hvpos=&hvnetw=g&hvrnd=1237913239395522697.*

(22) Filed: **Oct. 13, 2021**

(51) **LOC (13) Cl.** **28-03**

(52) **U.S. Cl.**
USPC **D28/57**

(58) **Field of Classification Search**
USPC D28/7, 56-62, 99; D24/133
CPC A45D 29/00; A45D 29/02; A45D 29/18;
A45D 44/00; A45D 2029/026
See application file for complete search history.

Primary Examiner — Alison M Ofstun

(57) **CLAIM**

The ornamental design for a long handle toenail clipper, as shown and described.

(56) **References Cited**

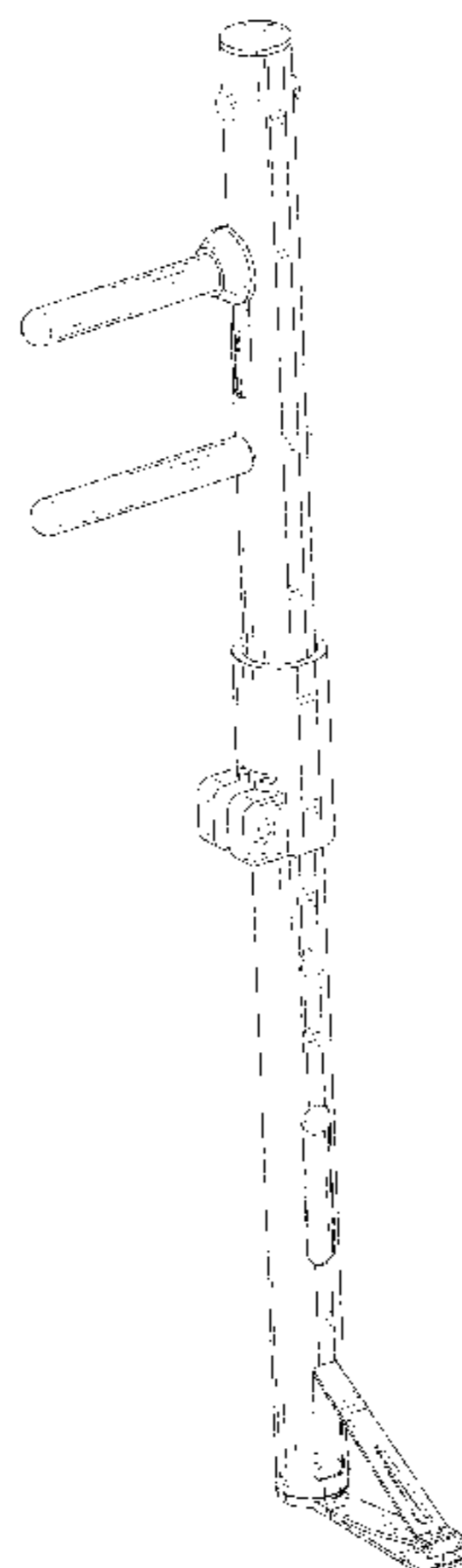
DESCRIPTION

U.S. PATENT DOCUMENTS

1,449,165 A * 3/1923 Cameron A61B 1/00096
362/120
4,847,994 A * 7/1989 Dunn, Jr. A45D 29/02
30/28
4,893,406 A * 1/1990 Larson A45D 29/02
30/297
5,749,377 A * 5/1998 Desario A45D 29/02
132/73
5,775,340 A * 7/1998 Rains A61B 17/54
30/28
6,325,069 B1 * 12/2001 Heims A45D 29/22
132/73
6,539,632 B2 * 4/2003 Anctil A61B 17/54
30/28
6,601,587 B2 * 8/2003 Shaw A45D 29/18
132/75.3
D584,453 S 1/2009 Rollo et al.

FIG. 1 is a perspective view of a long handle toenail clipper showing my new design;
FIG. 2 is another perspective view thereof;
FIG. 3 is a front elevational view thereof;
FIG. 4 is a rear elevational view thereof;
FIG. 5 is a left side elevational view thereof;
FIG. 6 is a right side elevational view thereof;
FIG. 7 is a top plan view thereof;
FIG. 8 is a bottom plan view thereof; and,
FIG. 9 is an exploded perspective view of the long handle toenail clipper.
The broken lines in the drawings depict portions of the long handle toenail clipper that form no part of the claimed design.

1 Claim, 9 Drawing Sheets



(56)

References Cited

U.S. PATENT DOCUMENTS

2011/0067195 A1* 3/2011 Oehler A47K 7/026
15/210.1
2020/0154847 A1* 5/2020 Fields A45D 29/02

* cited by examiner

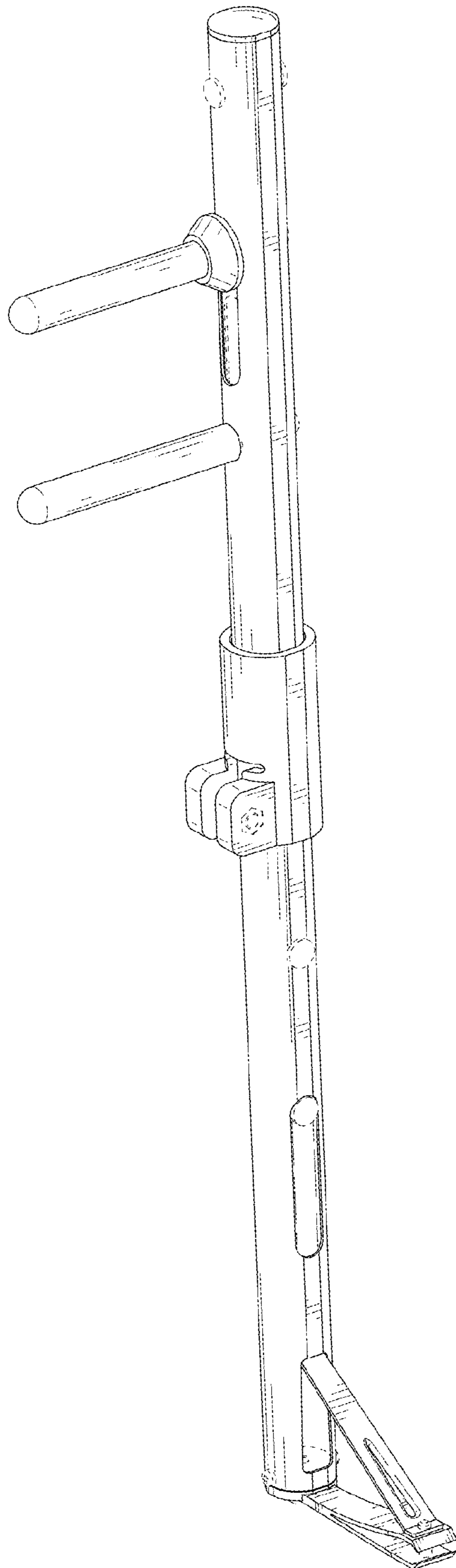


FIG. 1

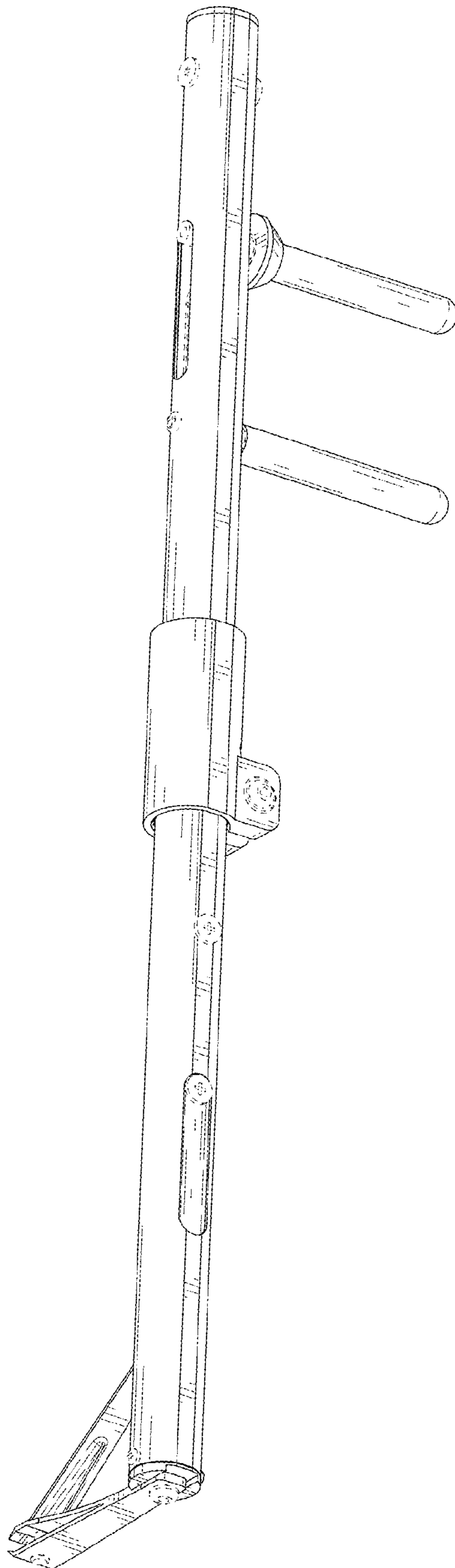


FIG. 2

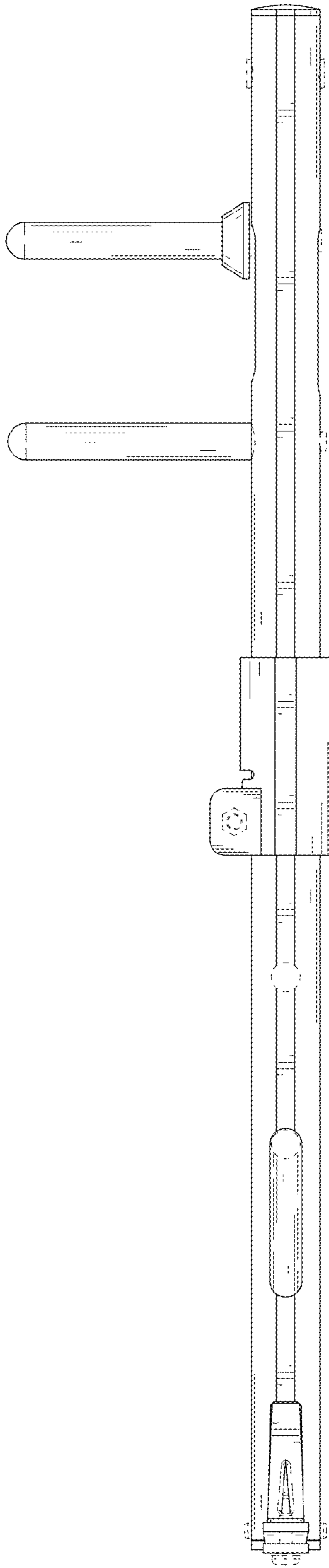


FIG. 3

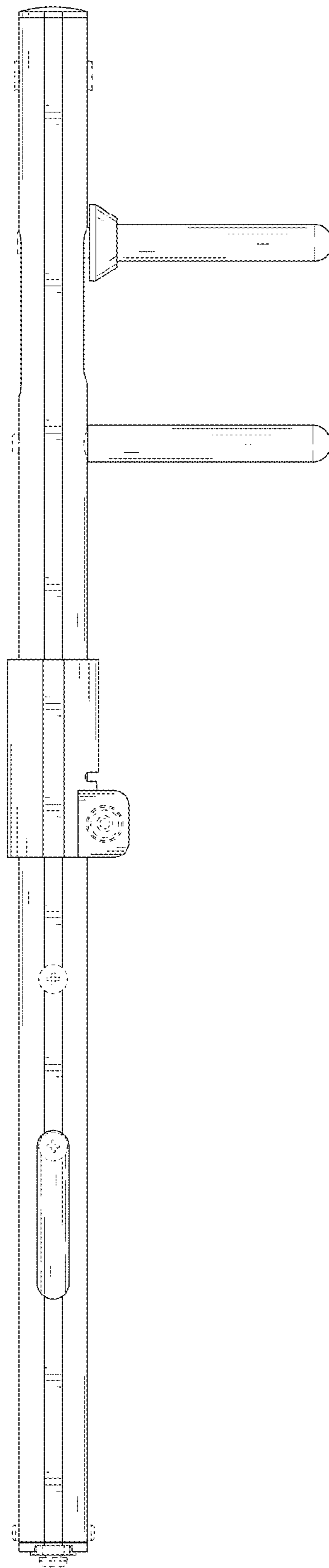


FIG. 4

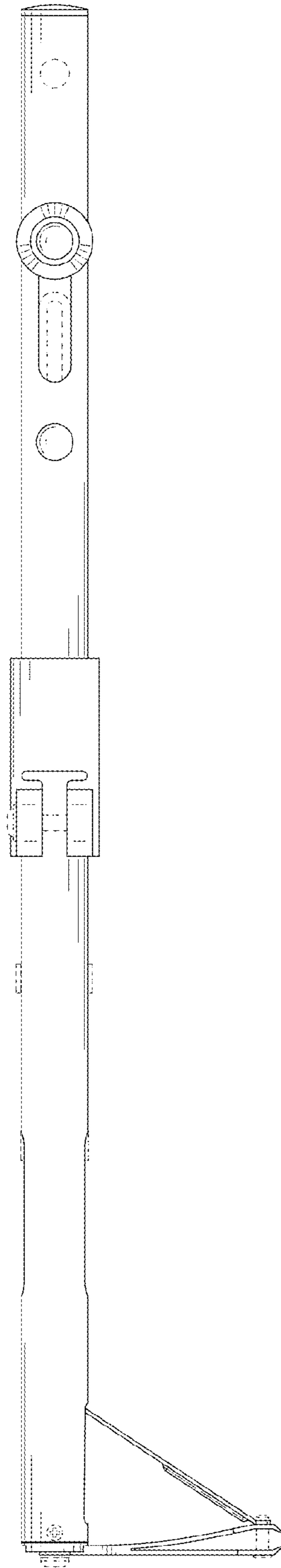


FIG. 5

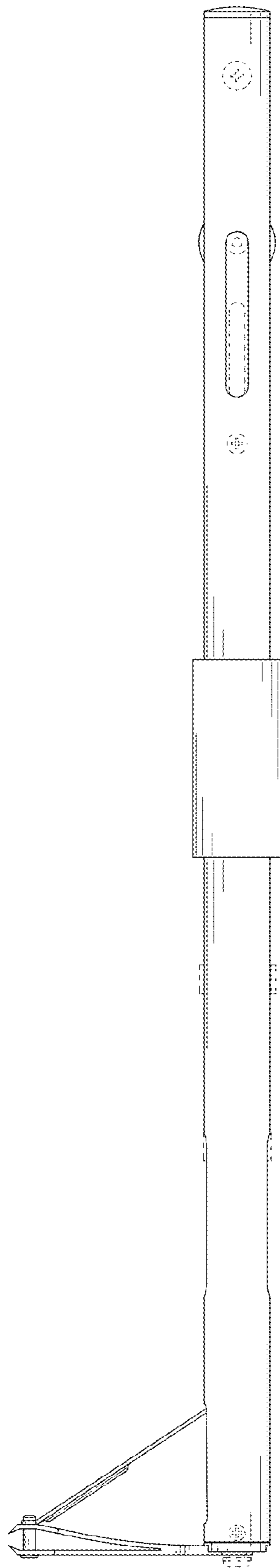


FIG. 6

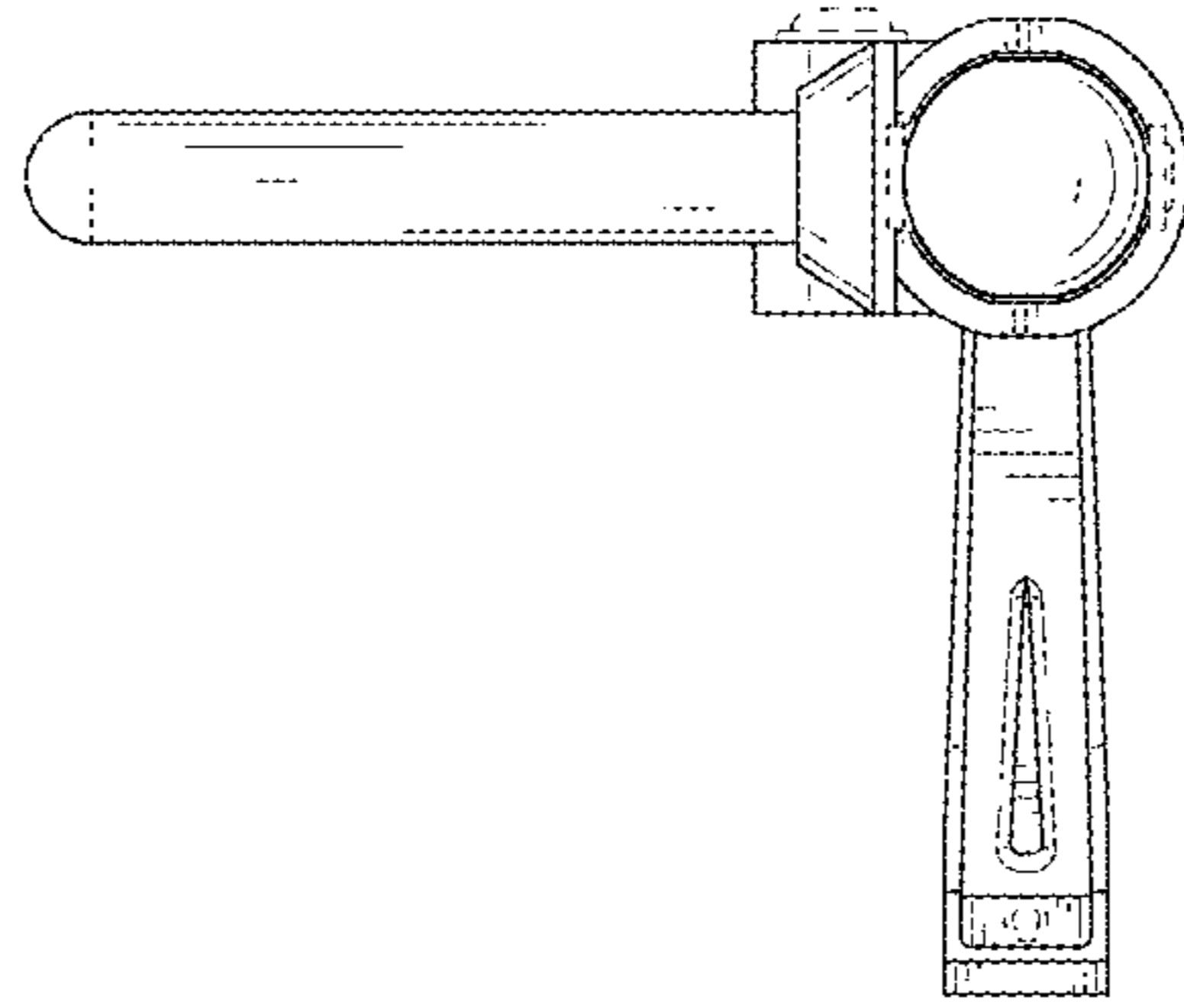


FIG. 7

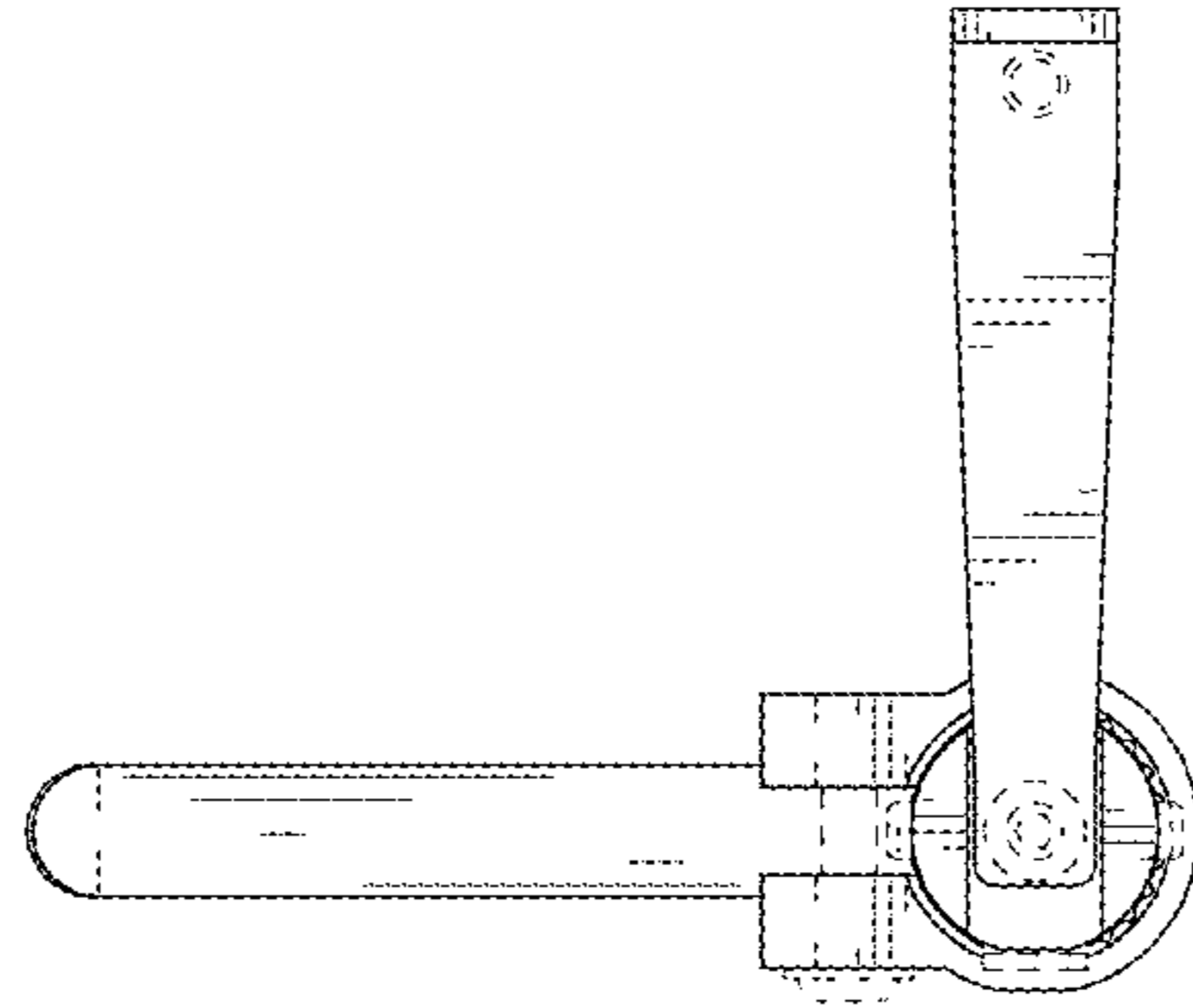


FIG. 8

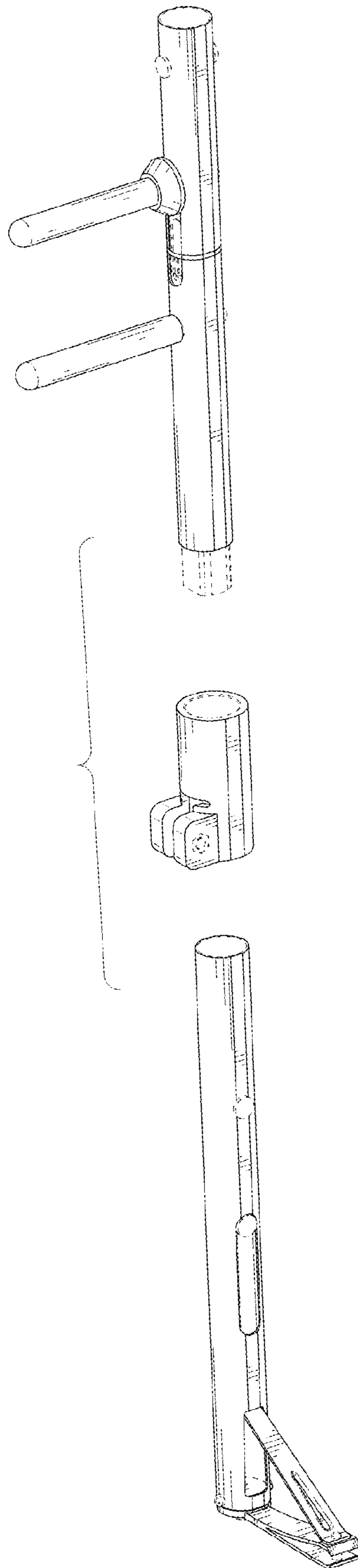


FIG. 9