



US00D973961S

(12) **United States Design Patent**
Lambrecht et al.

(10) **Patent No.:** **US D973,961 S**

(45) **Date of Patent:** **** Dec. 27, 2022**

(54) **HAIR CLIPPER ATTACHMENT COMB**

(71) Applicant: **WAHL GmbH**, Unterkirmach (DE)

(72) Inventors: **Sven Lambrecht**,
Villingen-Schwenningen (DE); **Roberto Krause**,
Villingen (DE)

(73) Assignee: **Wahl GmbH**, St. Georgen (DE)

(**) Term: **15 Years**

(21) Appl. No.: **29/755,205**

(22) Filed: **Oct. 19, 2020**

(30) **Foreign Application Priority Data**

Apr. 20, 2020 (EM) 007824685

(51) **LOC (13) Cl.** **28-03**

(52) **U.S. Cl.**
USPC **D28/54**

(58) **Field of Classification Search**
USPC D28/10, 21, 44-47, 51-54; D30/158,
D30/159; D4/116, 136
CPC B26B 19/00; B26B 19/02; B26B 19/04;
B26B 19/06; B26B 19/10; B26B 19/20;
B26B 19/22; B26B 19/38; B26B 19/3806;
B26B 21/00; B26B 21/22; B26B 21/40;
B26B 21/4012; B26B 21/4018
See application file for complete search history.

(56) **References Cited**

U.S. PATENT DOCUMENTS

5,937,526 A * 8/1999 Wahl B26B 19/20
30/200
D565,793 S * 4/2008 Wallace D28/54
D748,862 S * 2/2016 Aulwes D28/54

D813,459 S * 3/2018 Sinnott D28/54
10,293,500 B1 * 5/2019 Baker B26B 19/22
10,377,049 B2 * 8/2019 Whittaker B26B 19/3813
2008/0005908 A1 * 1/2008 Melton A45D 24/36
30/233.5
2009/0019706 A1 * 1/2009 Werner B26B 19/3813
30/233.5
2009/0113722 A1 * 5/2009 Werner B26B 19/20
30/200
2011/0061243 A1 * 3/2011 Smit B26B 19/20
30/233.5
2014/0352158 A1 * 12/2014 McCambridge B26B 19/20
30/200
2017/0266823 A1 * 9/2017 Whittaker B26B 19/20

FOREIGN PATENT DOCUMENTS

CA 2582654 A1 * 6/1999 B26B 19/20

* cited by examiner

Primary Examiner — Alison M Ofstun

(74) *Attorney, Agent, or Firm* — Millen, White, Zelano &
Branigan, P.C.; William Nixon

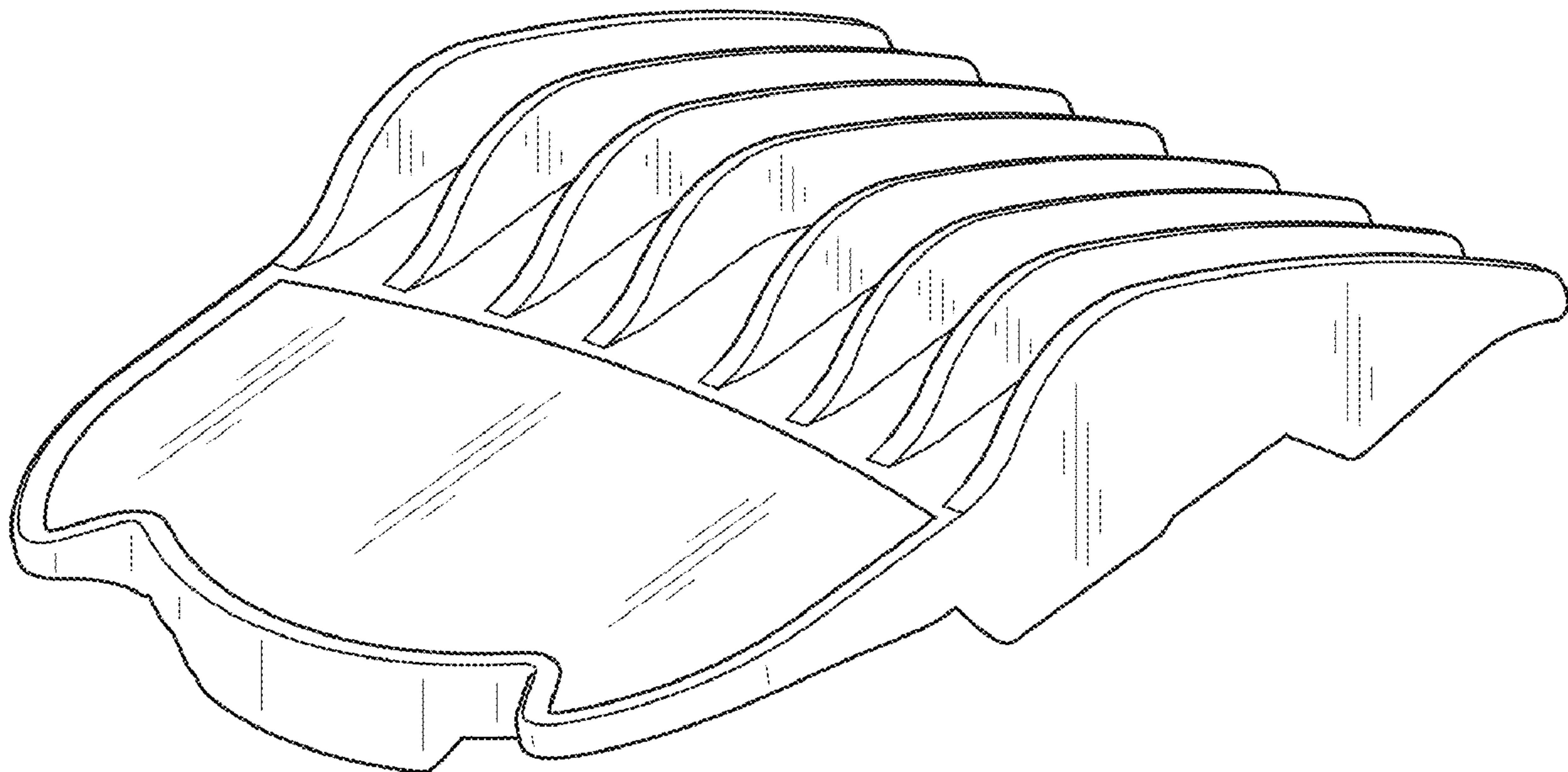
(57) **CLAIM**

The ornamental design for a hair clipper attachment comb,
as shown and described.

DESCRIPTION

FIG. 1 illustrates a front perspective view of a hair clipper attachment comb showing our new design;
FIG. 2 illustrates a top plan view thereof;
FIG. 3 illustrates a bottom plan view thereof;
FIG. 4 illustrates a left side elevational view thereof;
FIG. 5 illustrates a right side elevational view thereof;
FIG. 6 illustrates a front elevational view thereof; and,
FIG. 7 illustrates a rear elevational view thereof.

1 Claim, 7 Drawing Sheets



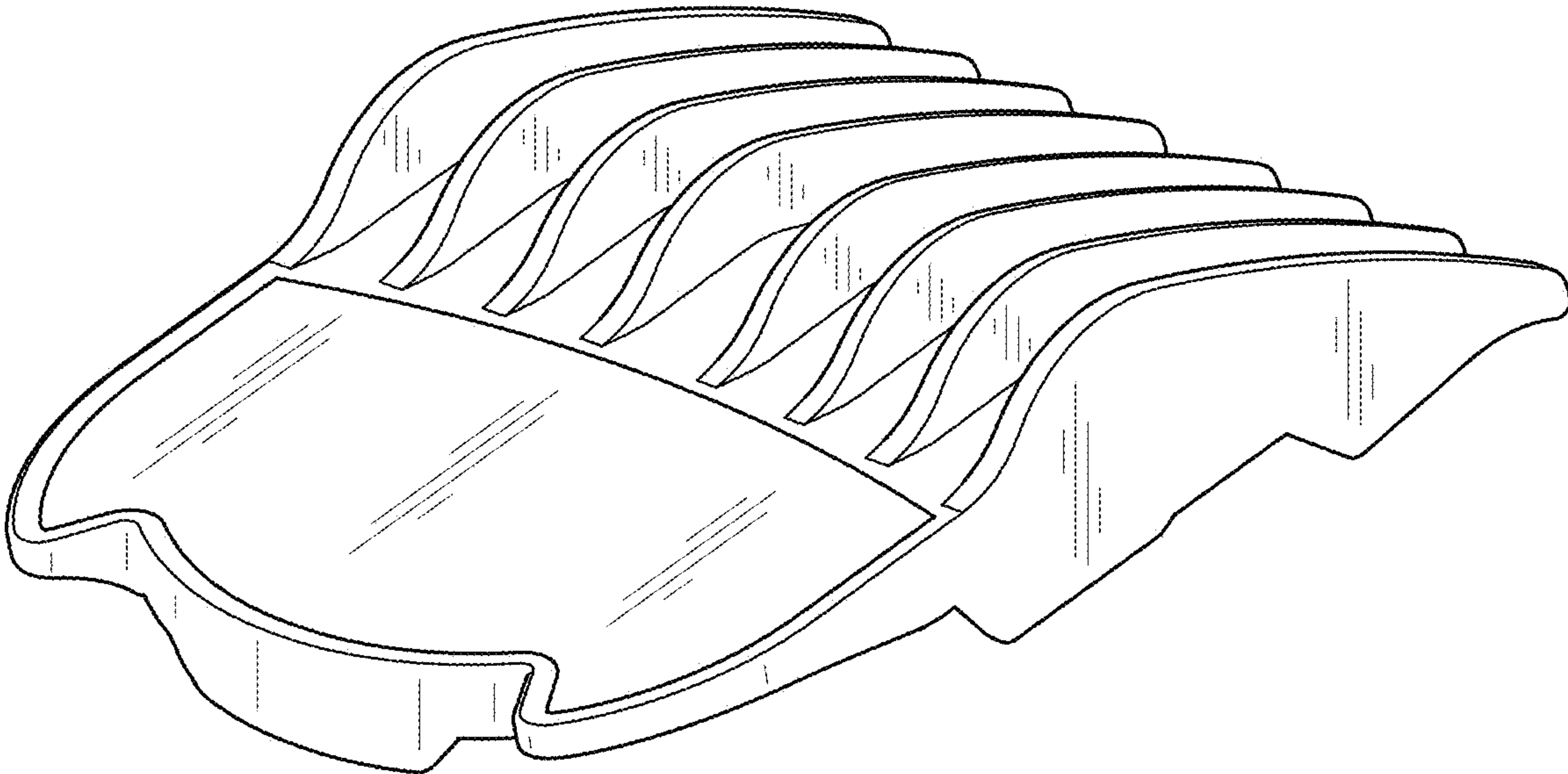


FIG. 1

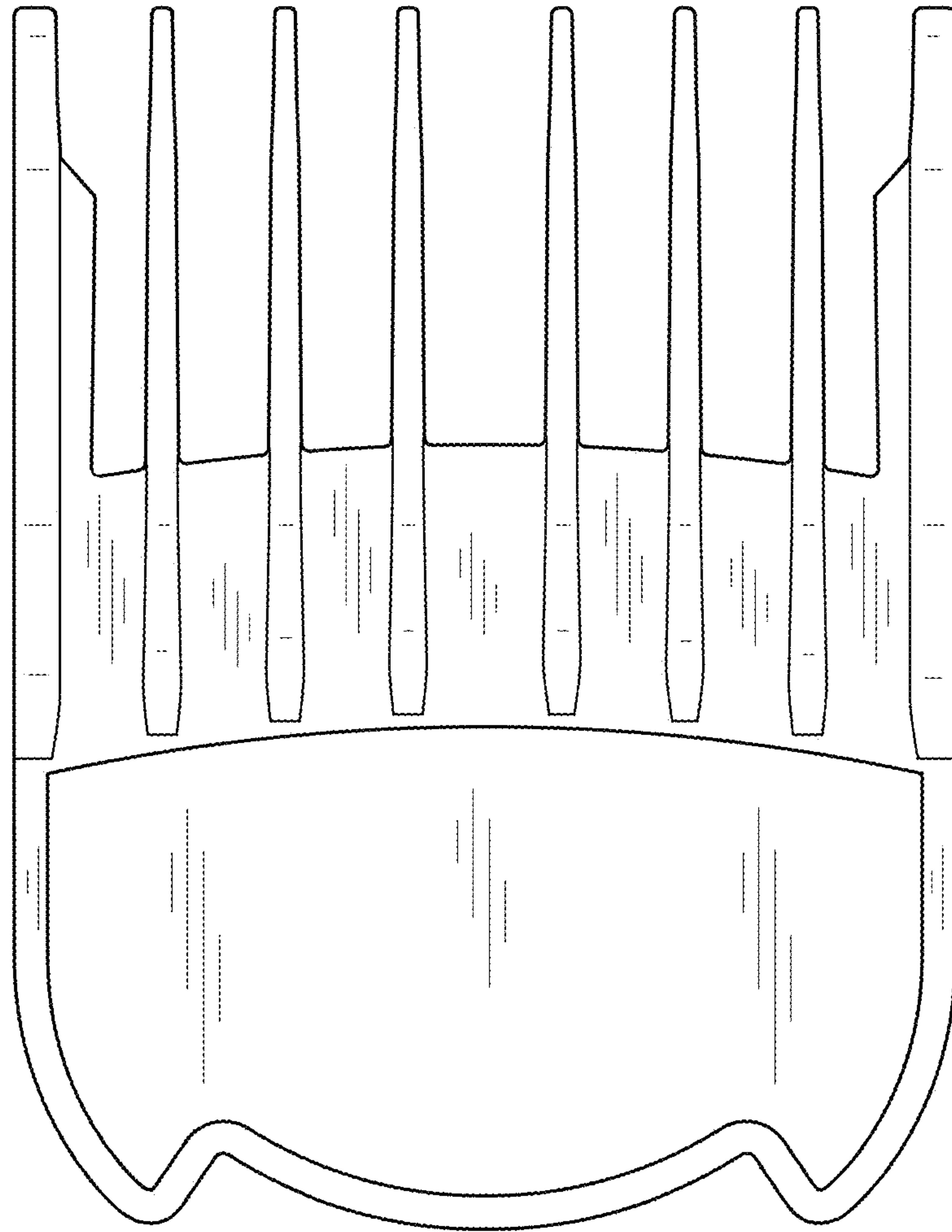


FIG. 2

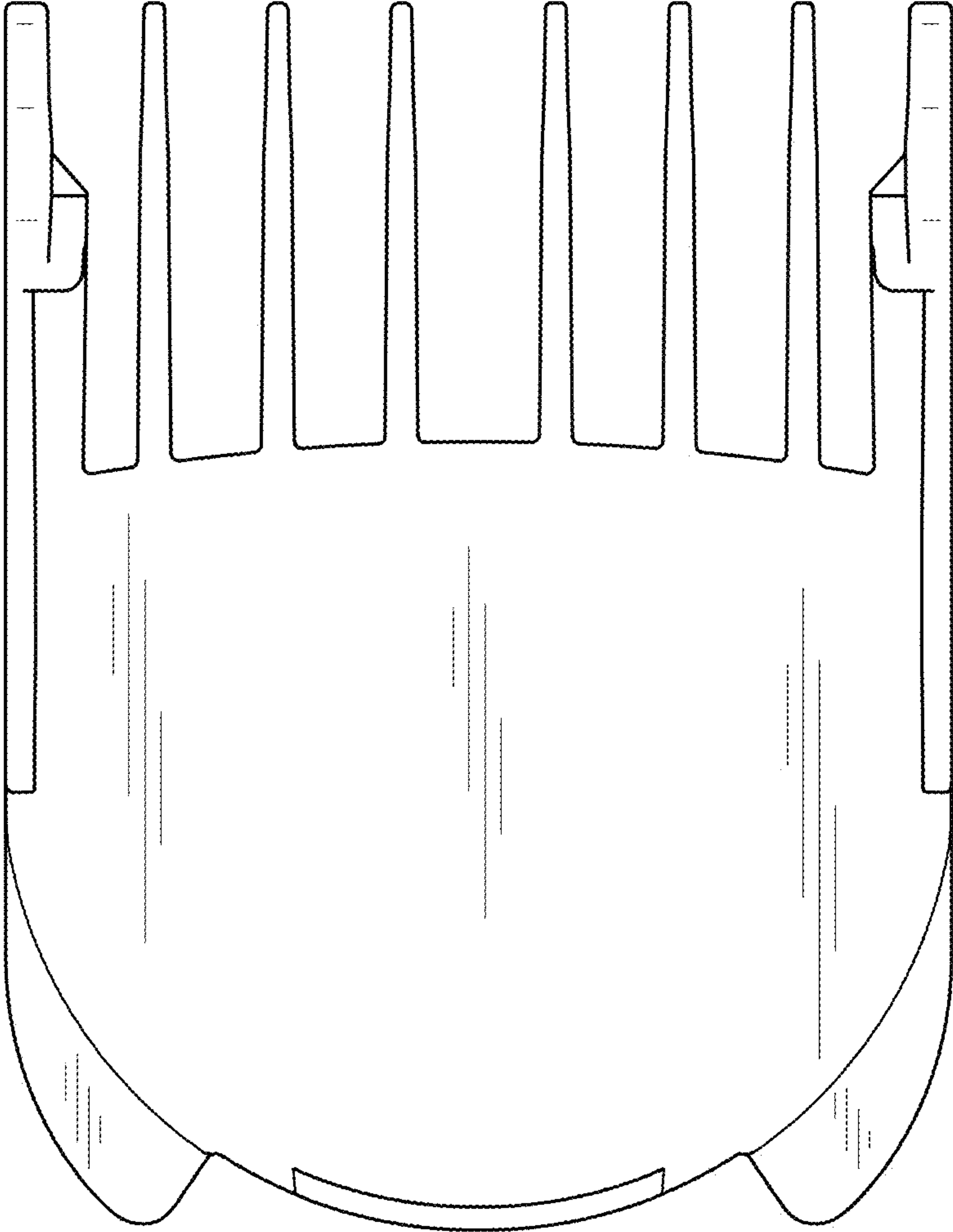


FIG. 3

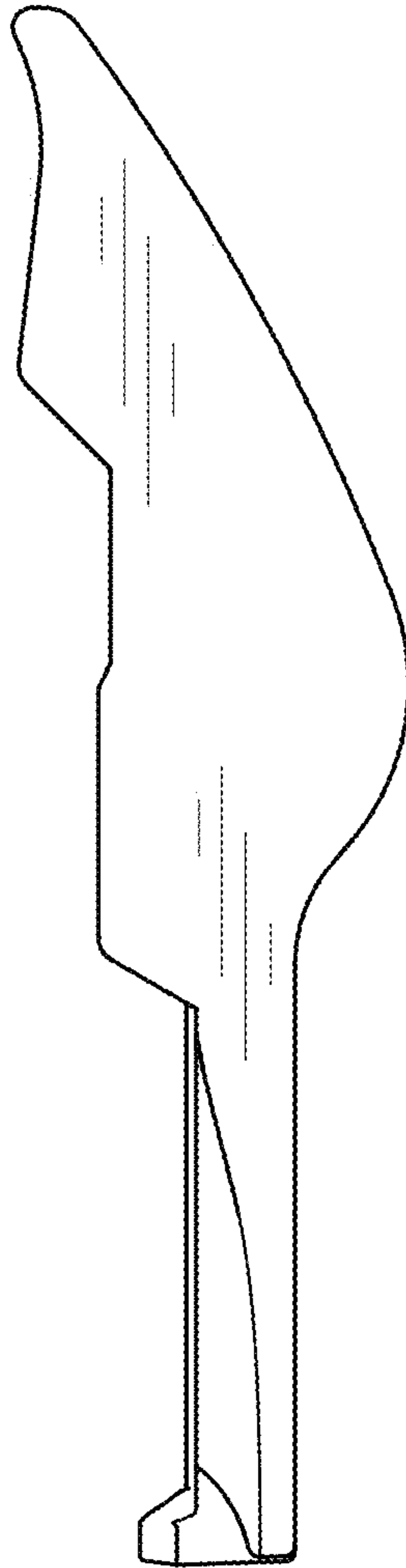


FIG. 4

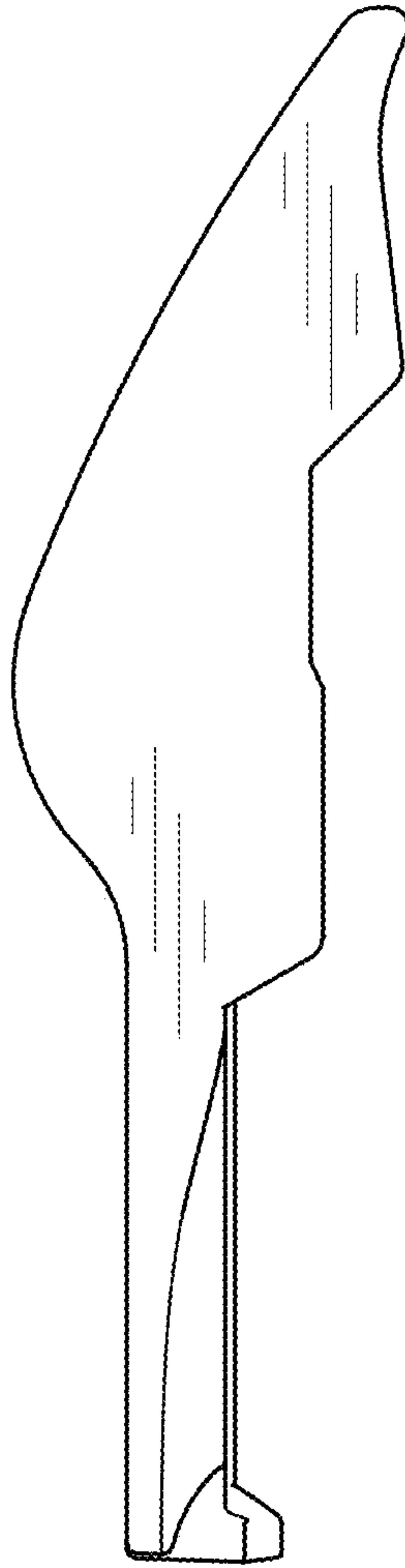


FIG. 5

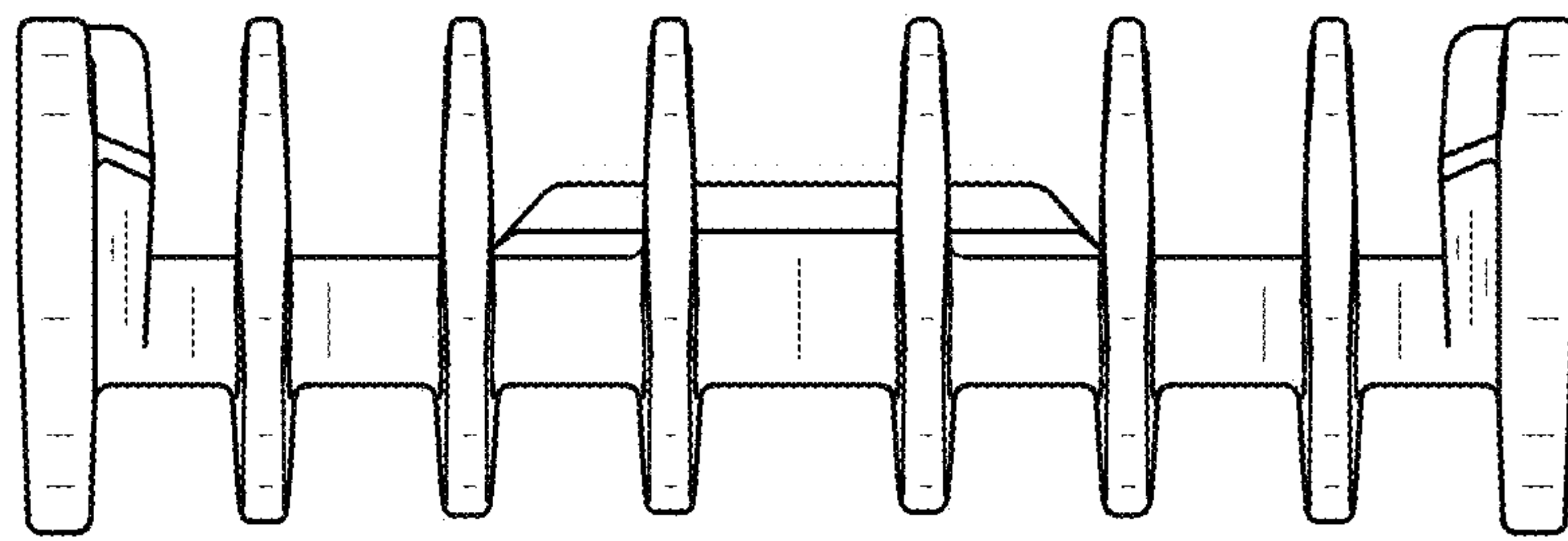


FIG. 6

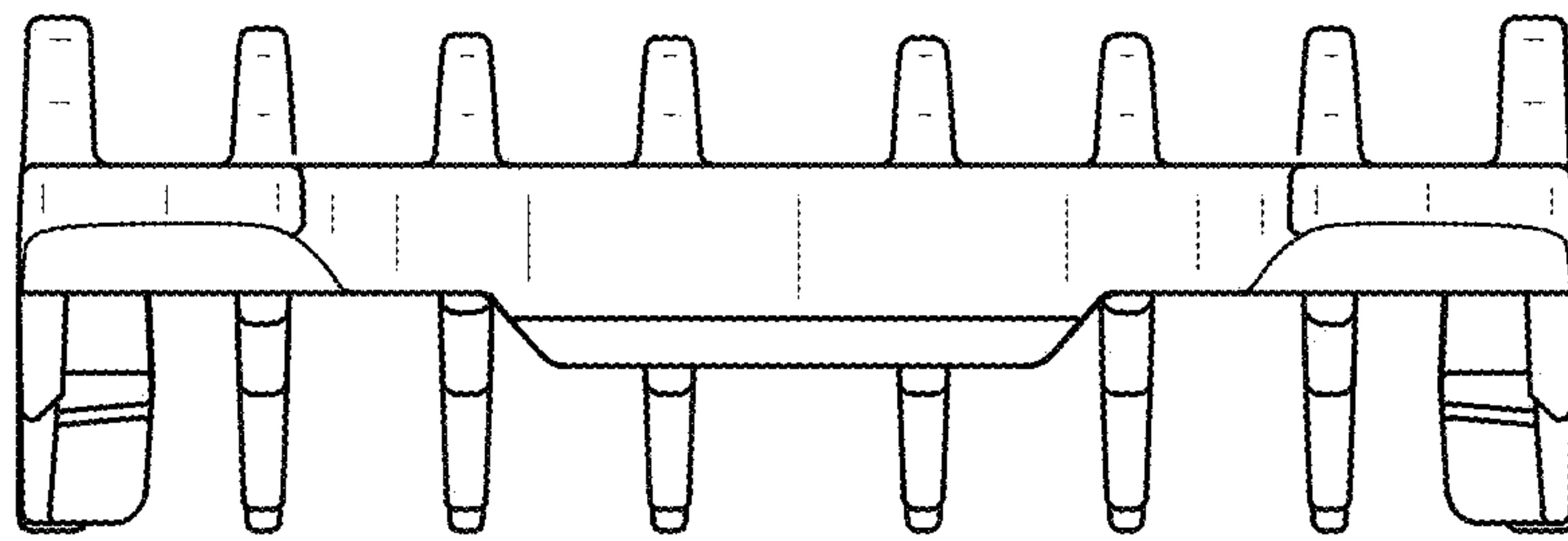


FIG. 7