



US00D973957S

(12) **United States Design Patent**
Wen

(10) **Patent No.:** **US D973,957 S**

(45) **Date of Patent:** **** Dec. 27, 2022**

(54) **HAIR CLIP**

(71) Applicant: **Jiamin Wen**, Shenzhen (CN)

(72) Inventor: **Jiamin Wen**, Shenzhen (CN)

(73) Assignee: **Jiamin Wen**, Shenzhen (CN)

(**) Term: **15 Years**

(21) Appl. No.: **29/850,880**

(22) Filed: **Aug. 24, 2022**

(51) **LOC (13) Cl.** **28-03**

(52) **U.S. Cl.**
USPC **D28/40**

(58) **Field of Classification Search**
USPC D28/39, 40, 42, 43
CPC . A45D 8/00; A45D 8/002; A45D 8/14; A45D
8/16; A45D 8/18; A45D 8/20; A45D
8/22; A45D 8/24; A45D 8/30
See application file for complete search history.

(56) **References Cited**

U.S. PATENT DOCUMENTS

D199,424 S * 10/1964 Weiss D28/39
5,975,092 A * 11/1999 Tsai A45D 8/20
132/273

D429,031 S * 8/2000 Tsai D28/40
D541,983 S * 5/2007 Au D28/40
D776,346 S * 1/2017 Magnani D28/40
D829,990 S * 10/2018 Hsu D28/40
D939,140 S * 12/2021 Luo D28/40
D939,766 S * 12/2021 Garcia D28/40
D939,767 S * 12/2021 Cui D28/40
D956,353 S * 6/2022 Liu D28/40

* cited by examiner

Primary Examiner — Zenia I Bennett

(74) *Attorney, Agent, or Firm* — Nitin Kaushik

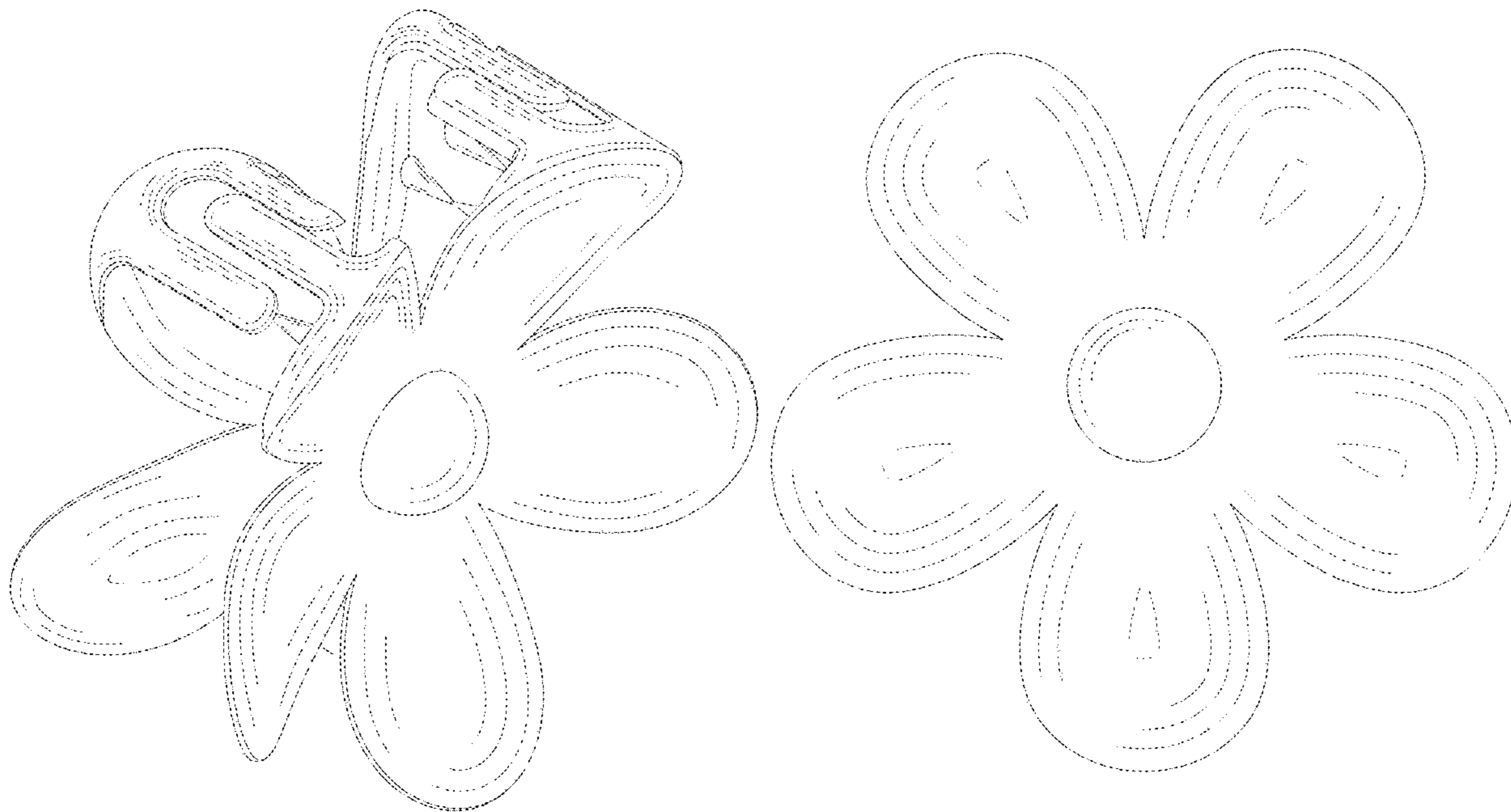
(57) **CLAIM**

The ornamental design for a hair clip, as shown and described.

DESCRIPTION

FIG. 1 is a front perspective view of a hair clip, showing my design;
FIG. 2 is a front view thereof;
FIG. 3 is a rear view thereof;
FIG. 4 is a left side view thereof;
FIG. 5 is a right side view thereof;
FIG. 6 is a top view thereof; and,
FIG. 7 is a bottom view thereof.

1 Claim, 7 Drawing Sheets



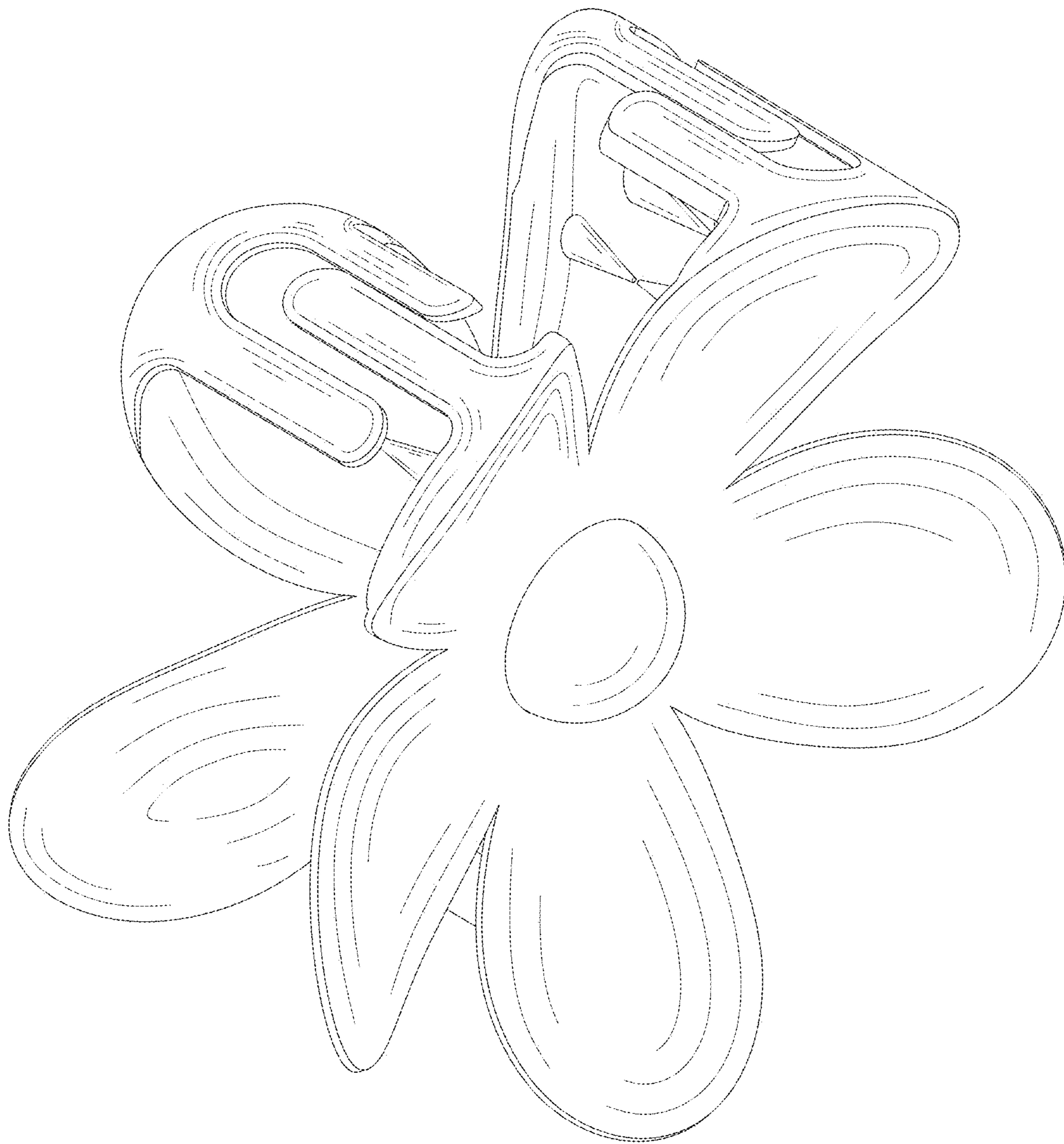


FIG. 1

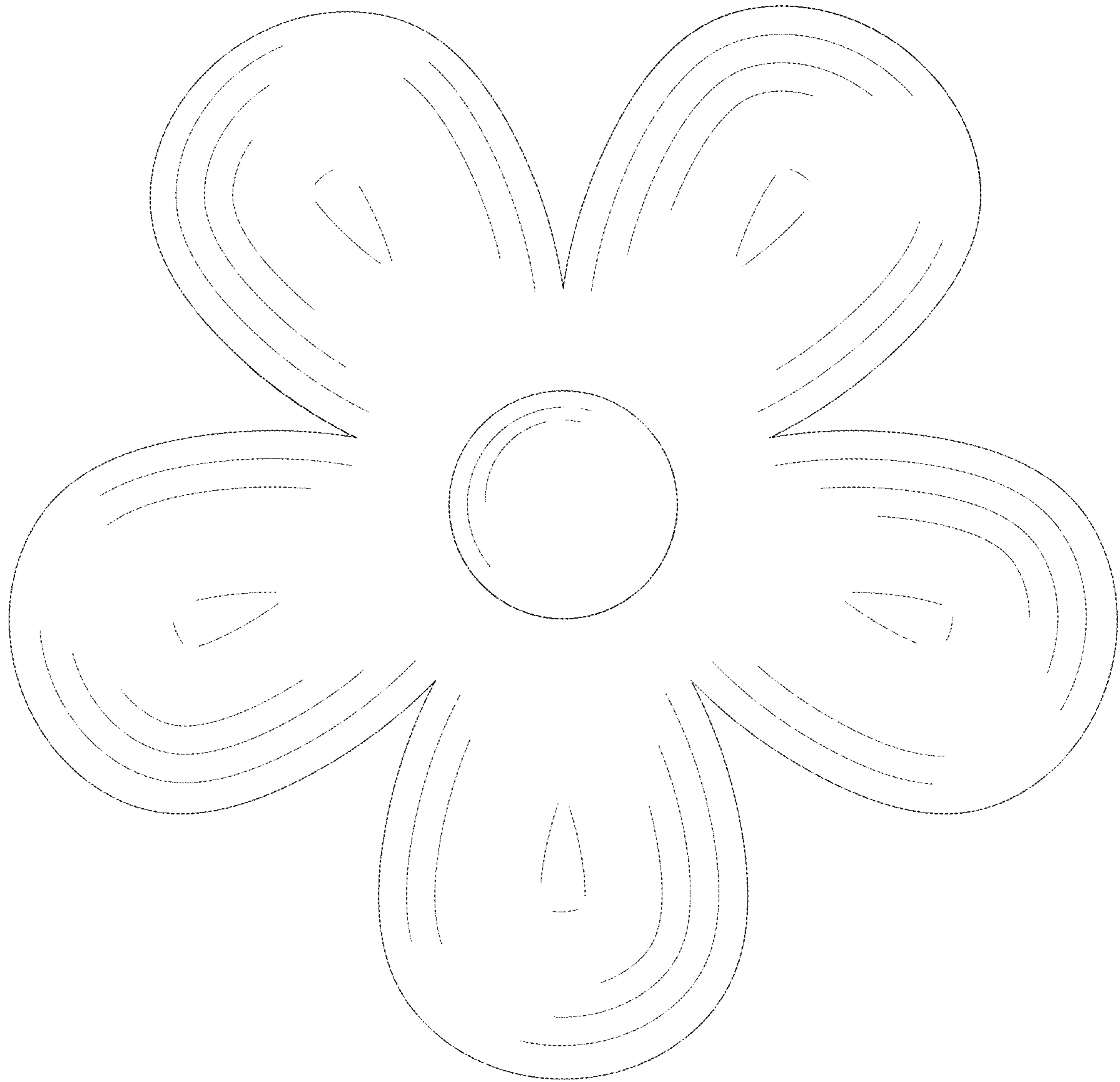


FIG. 2

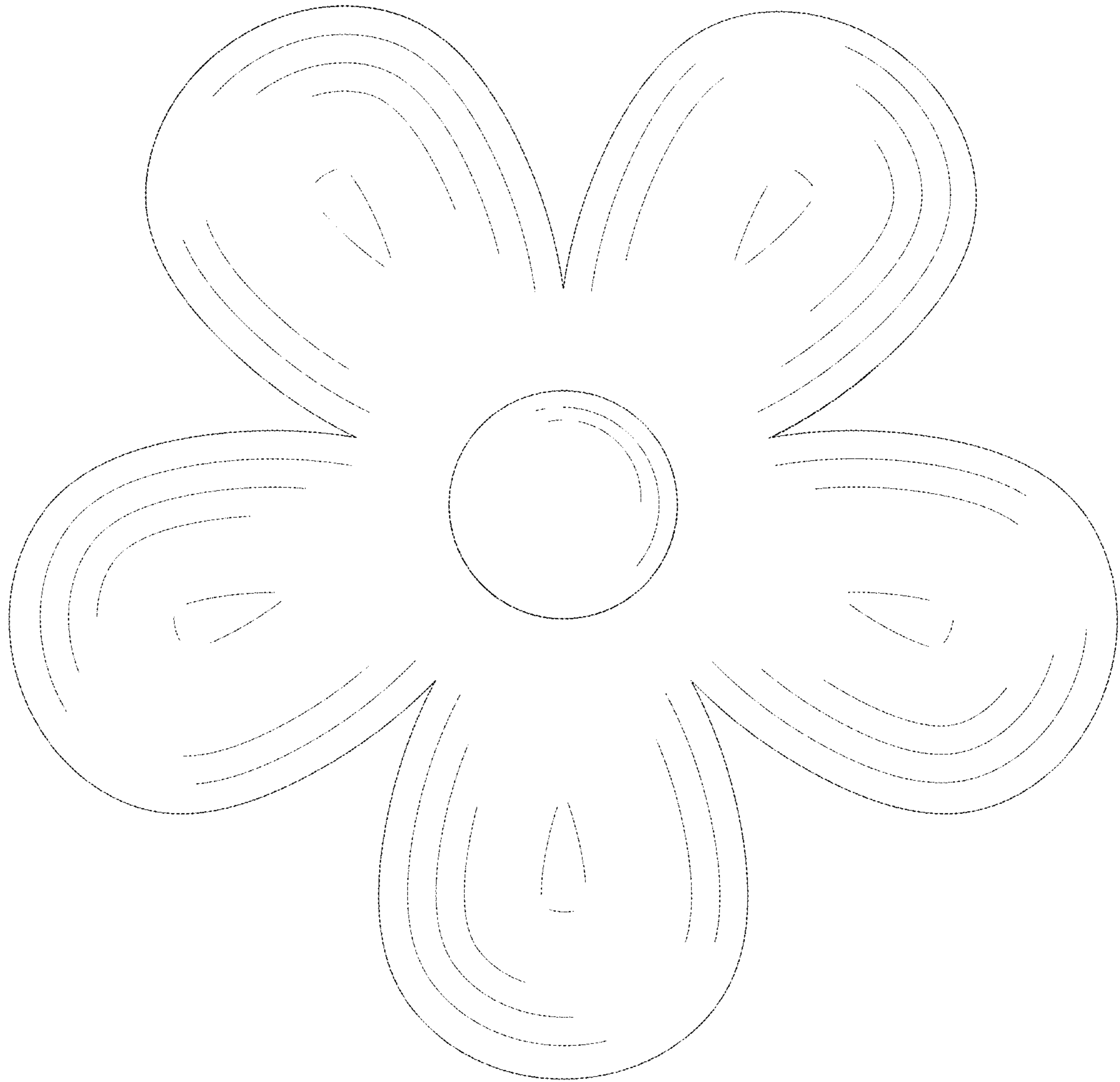


FIG. 3

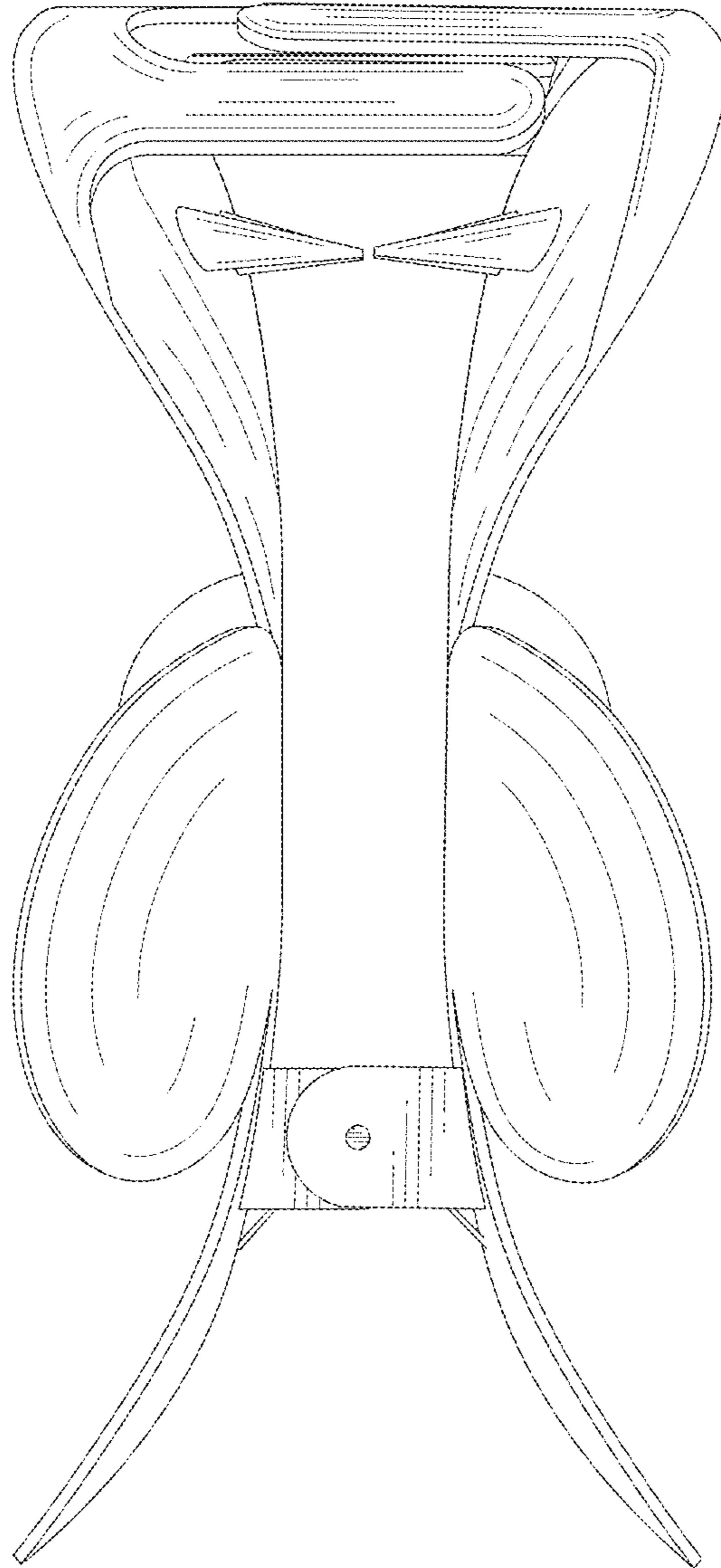


FIG. 4

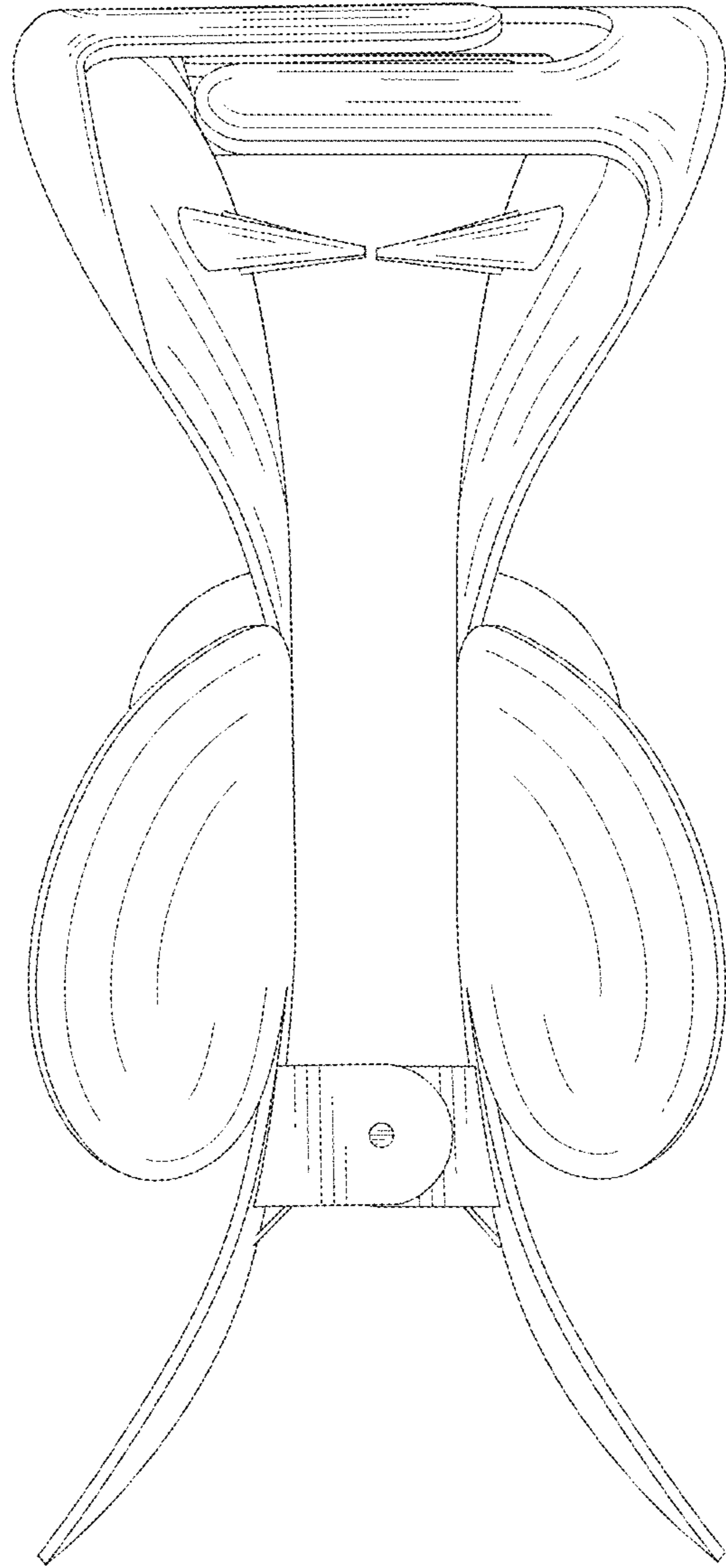


FIG. 5

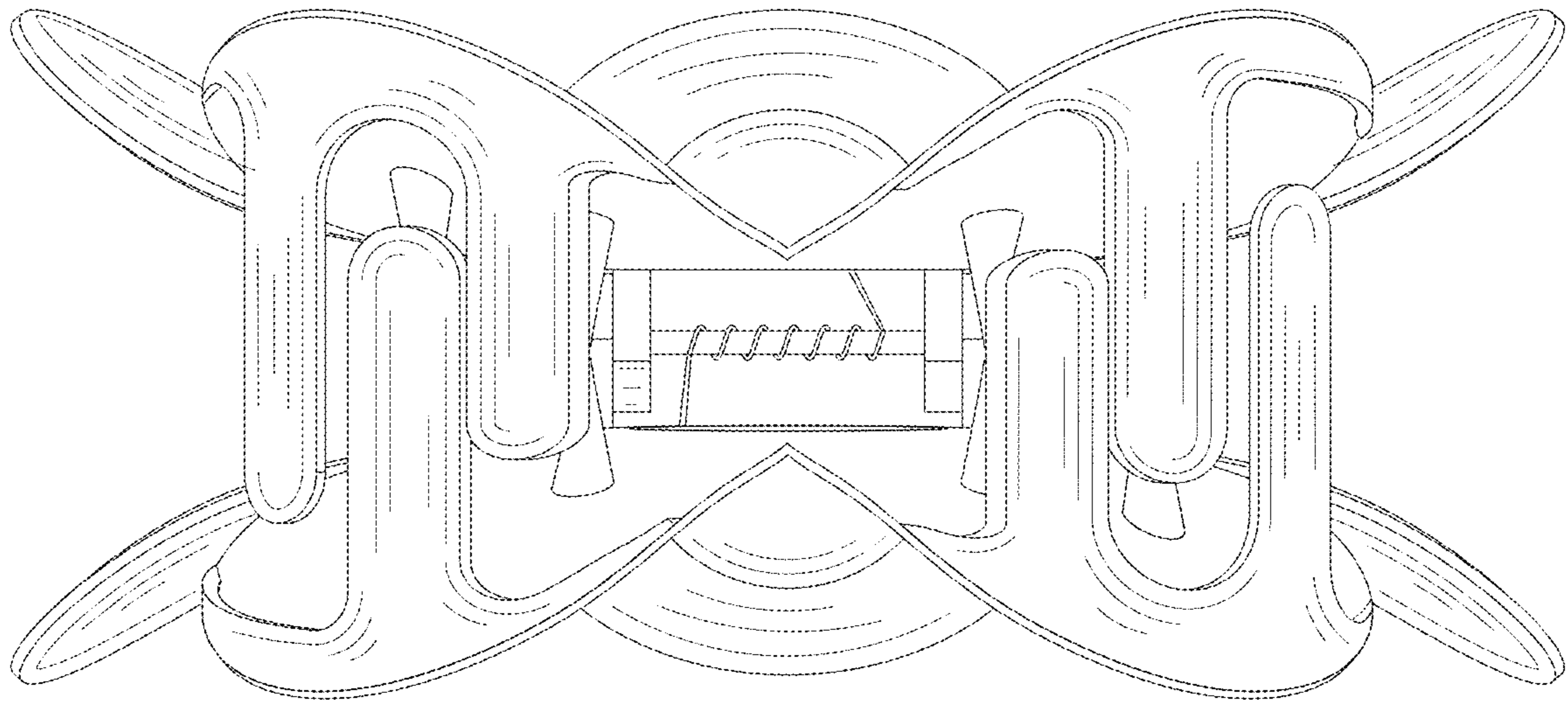


FIG. 6

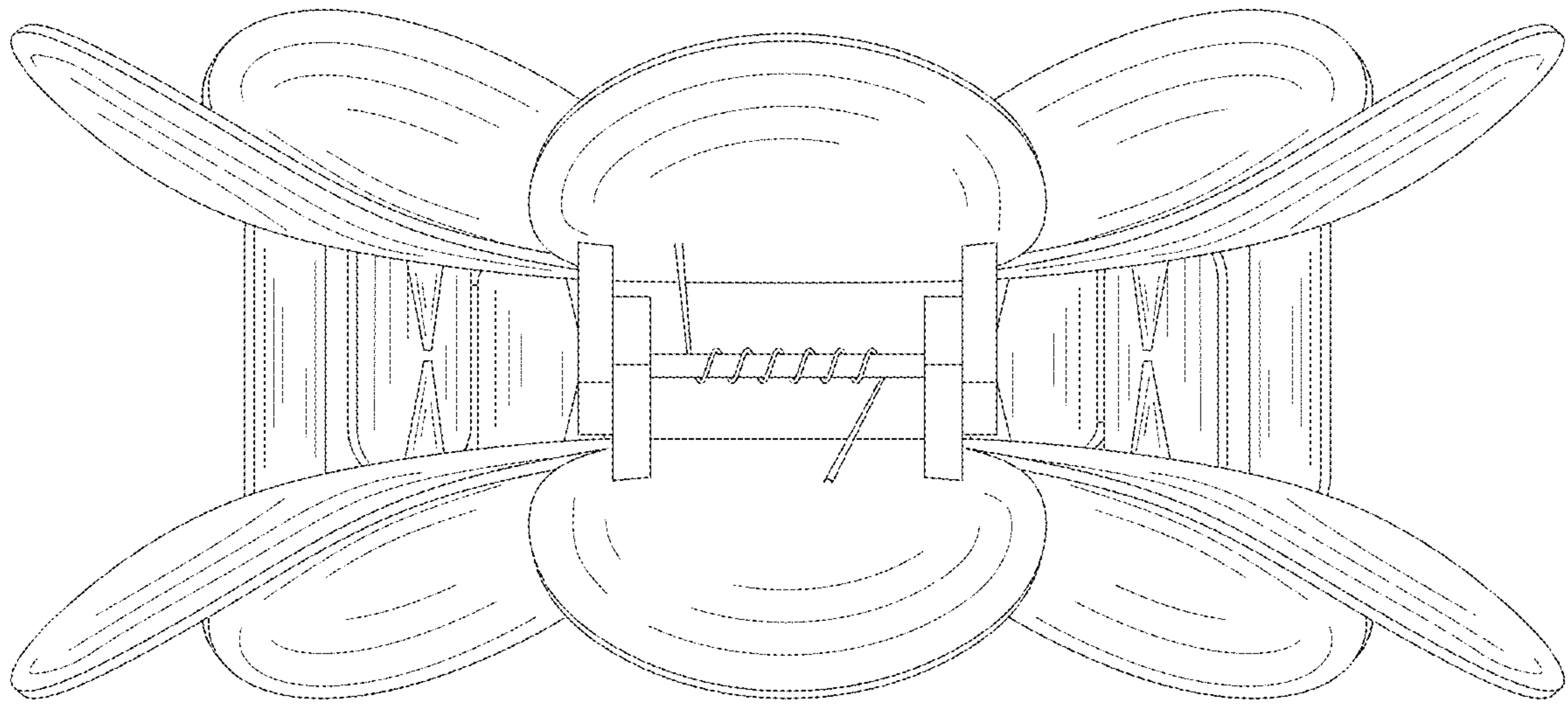


FIG. 7