



US00D973956S

(12) **United States Design Patent** (10) **Patent No.:** **US D973,956 S**  
**Du** (45) **Date of Patent:** **\*\* Dec. 27, 2022**

(54) **HAIR STRAIGHTENER**

(71) Applicant: **Quzhi Hairdressing Supplies**  
**(Shenzhen) Co., Ltd, Shenzhen (CN)**

(72) Inventor: **Yufeng Du, Zaoyang (CN)**

(\*\*) Term: **15 Years**

(21) Appl. No.: **29/804,300**

(22) Filed: **Aug. 19, 2021**

(51) **LOC (13) Cl.** ..... **28-03**

(52) **U.S. Cl.**  
USPC ..... **D28/35; D4/100**

(58) **Field of Classification Search**  
USPC ..... D4/100, 127, 128, 130, 132, 133, 134,  
D4/135, 136, 137, 138, 199; D28/10, 13,  
D28/25, 28, 35, 15, 24  
CPC ..... A45D 20/00; A45D 20/08; A45D 20/50;  
A45D 20/52  
See application file for complete search history.

(56) **References Cited**

**U.S. PATENT DOCUMENTS**

D885,765 S	*	6/2020	Yuan	.....	D28/35
D889,129 S	*	7/2020	Janowick	.....	D28/35
D895,294 S	*	9/2020	Xie	.....	D28/35
D904,032 S	*	12/2020	Zeng	.....	D28/35
D906,678 S	*	1/2021	Ge	.....	D28/35
D912,987 S	*	3/2021	Chandra	.....	D4/134
D917,173 S	*	4/2021	Li	.....	D28/35

D930,363 S	*	9/2021	Xu	.....	D4/134
D933,957 S	*	10/2021	Guo	.....	D28/35
D934,499 S	*	10/2021	Xie	.....	D28/35
D943,281 S	*	2/2022	Zou	.....	D28/35
D957,055 S	*	7/2022	Zheng	.....	D28/35
D965,877 S	*	10/2022	Luo	.....	D28/35

**FOREIGN PATENT DOCUMENTS**

CN	305218855	*	6/2019
CN	305546961	*	1/2020
CN	306599988	*	6/2021

\* cited by examiner

*Primary Examiner* — Karen E Eldridge Powers

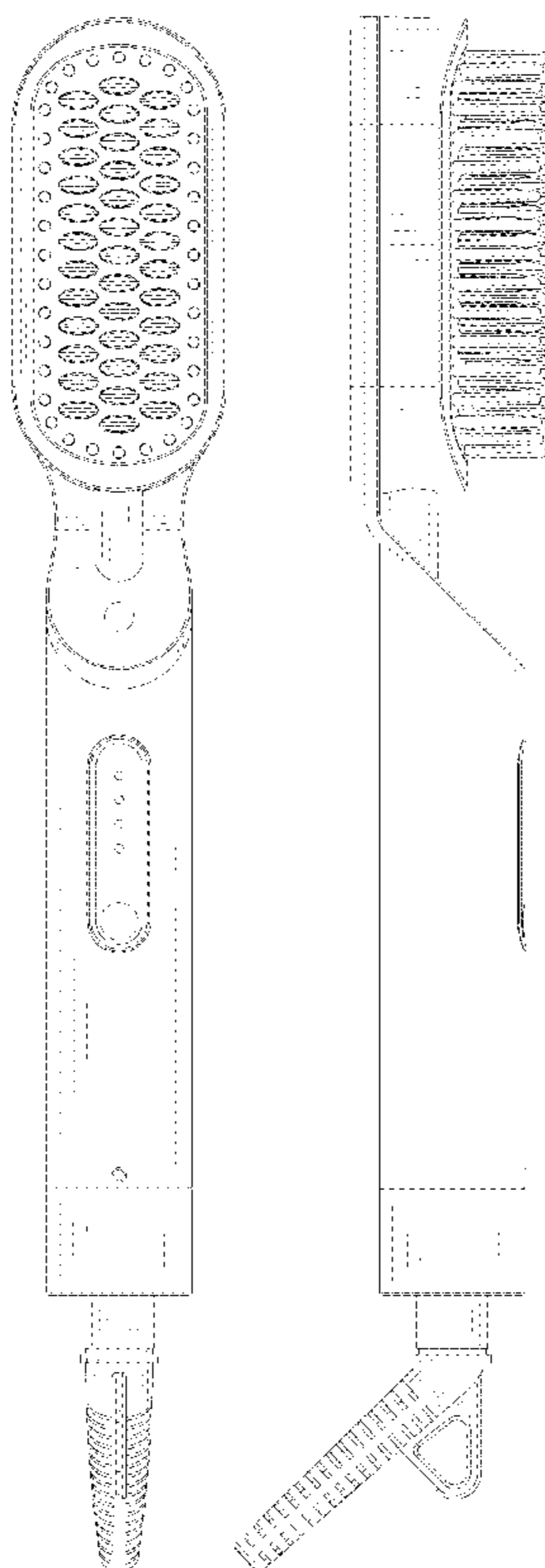
(57) **CLAIM**

The ornamental design for a hair straightener, as shown and described.

**DESCRIPTION**

FIG. 1 is a front, top and right side perspective view of a hair straightener showing my new design; FIG. 2 is a front elevational view thereof; FIG. 3 is a back elevational view thereof; FIG. 4 is a left side elevational view thereof; FIG. 5 is a right side elevational view thereof; FIG. 6 is a top plan view thereof; and, FIG. 7 is a bottom plan view thereof. The dashed or broken lines shown in the drawings depict portions of the hair straightener in which the design is embodied that form no part of the claimed design.

**1 Claim, 7 Drawing Sheets**



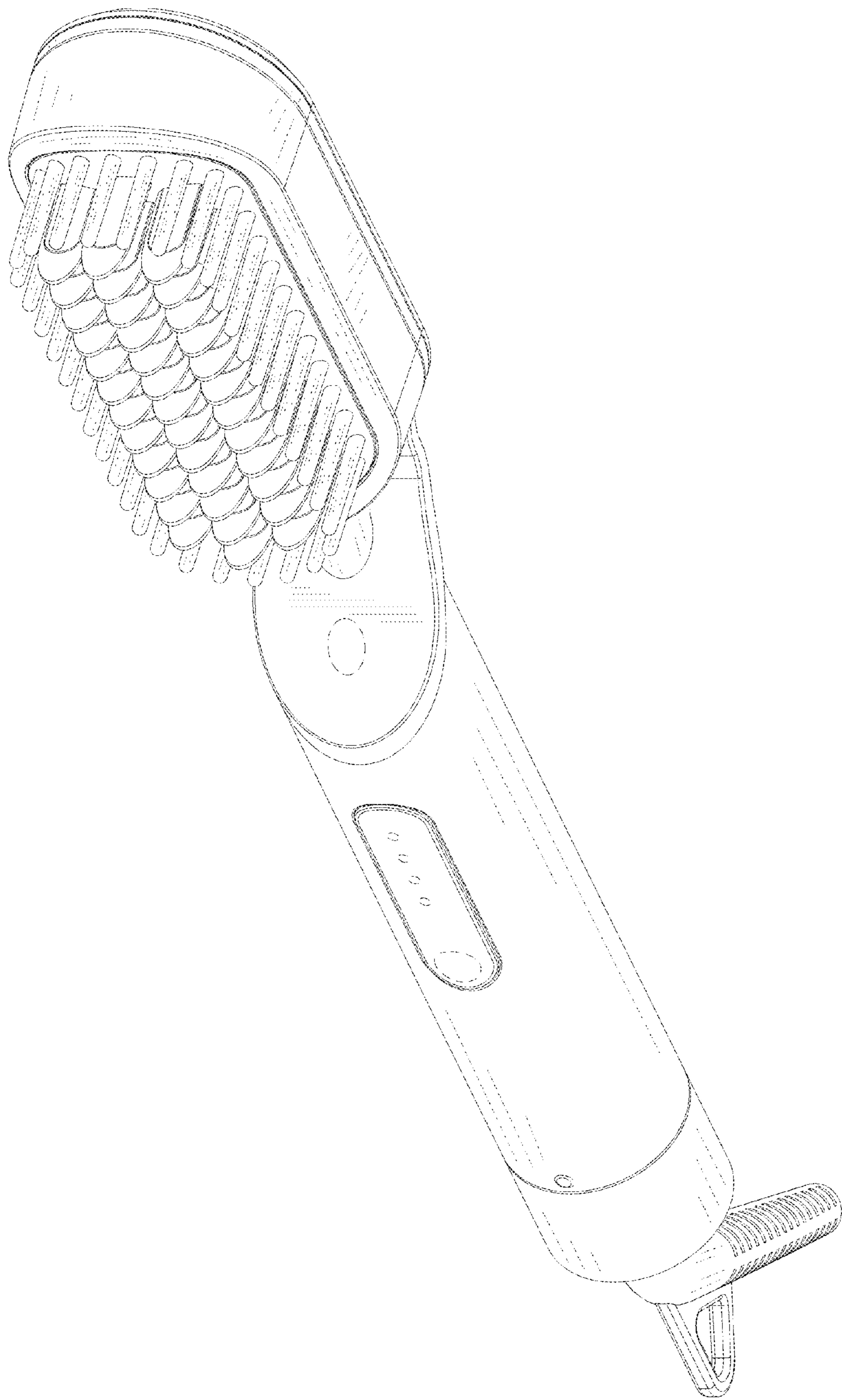


FIG. 1

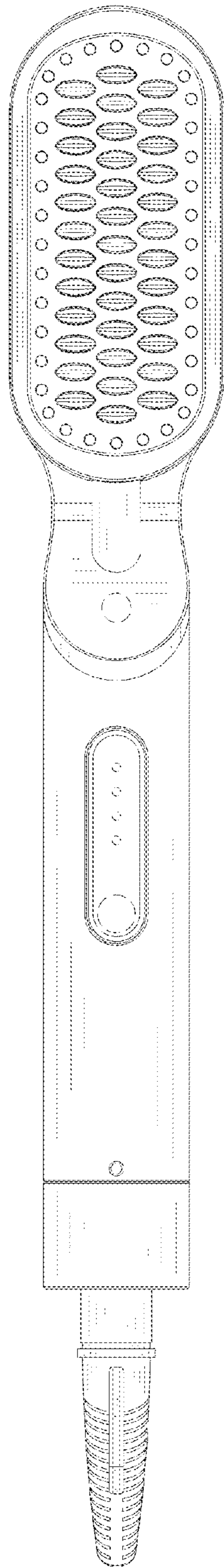


FIG. 2

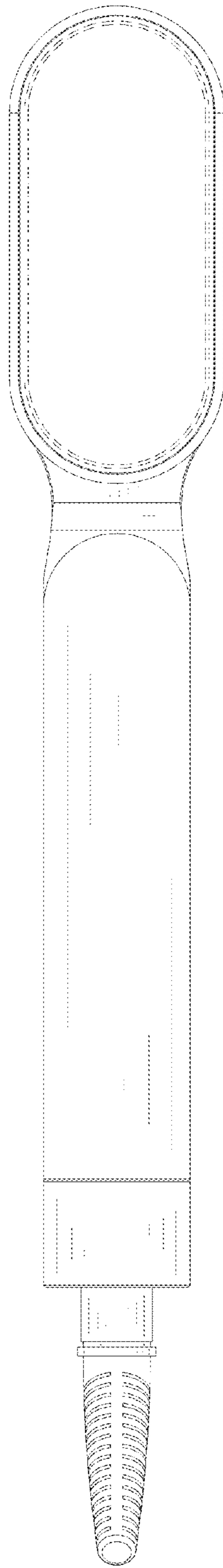


FIG. 3

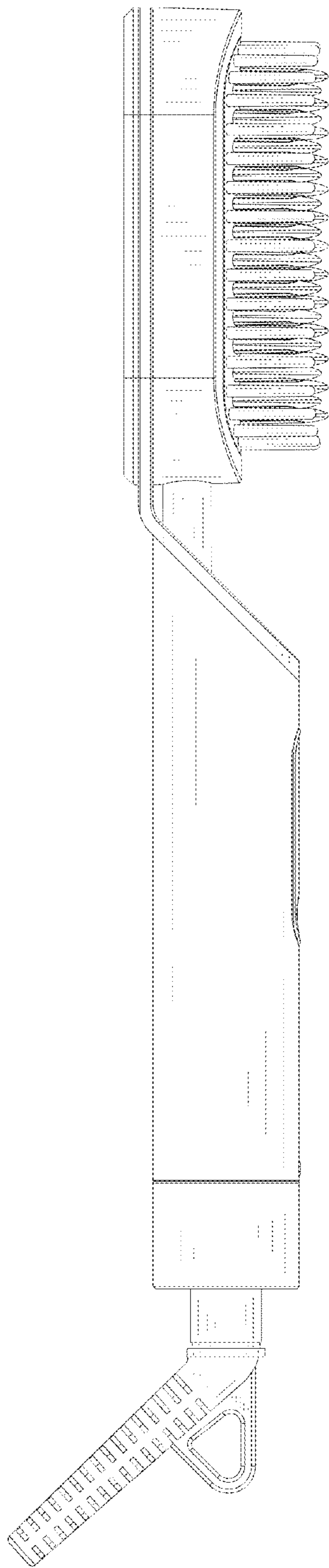


FIG. 4

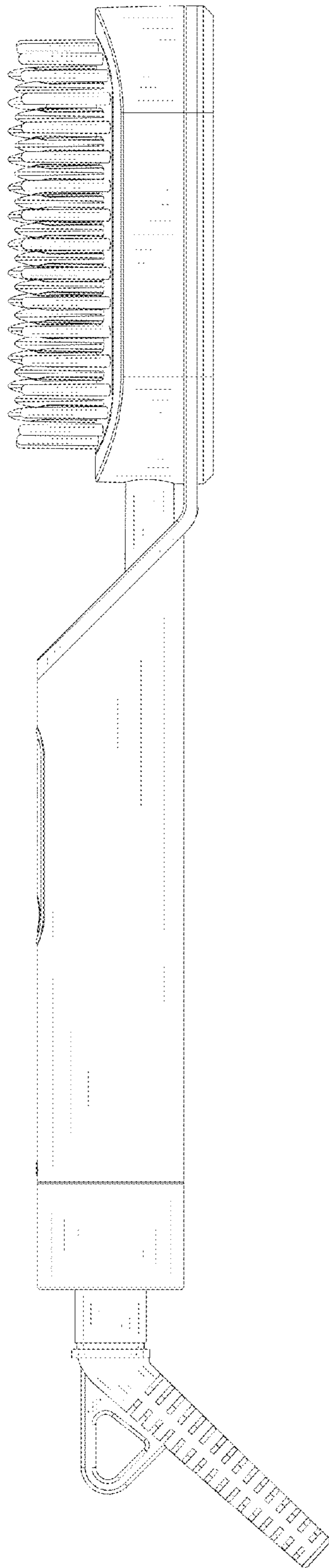


FIG. 5

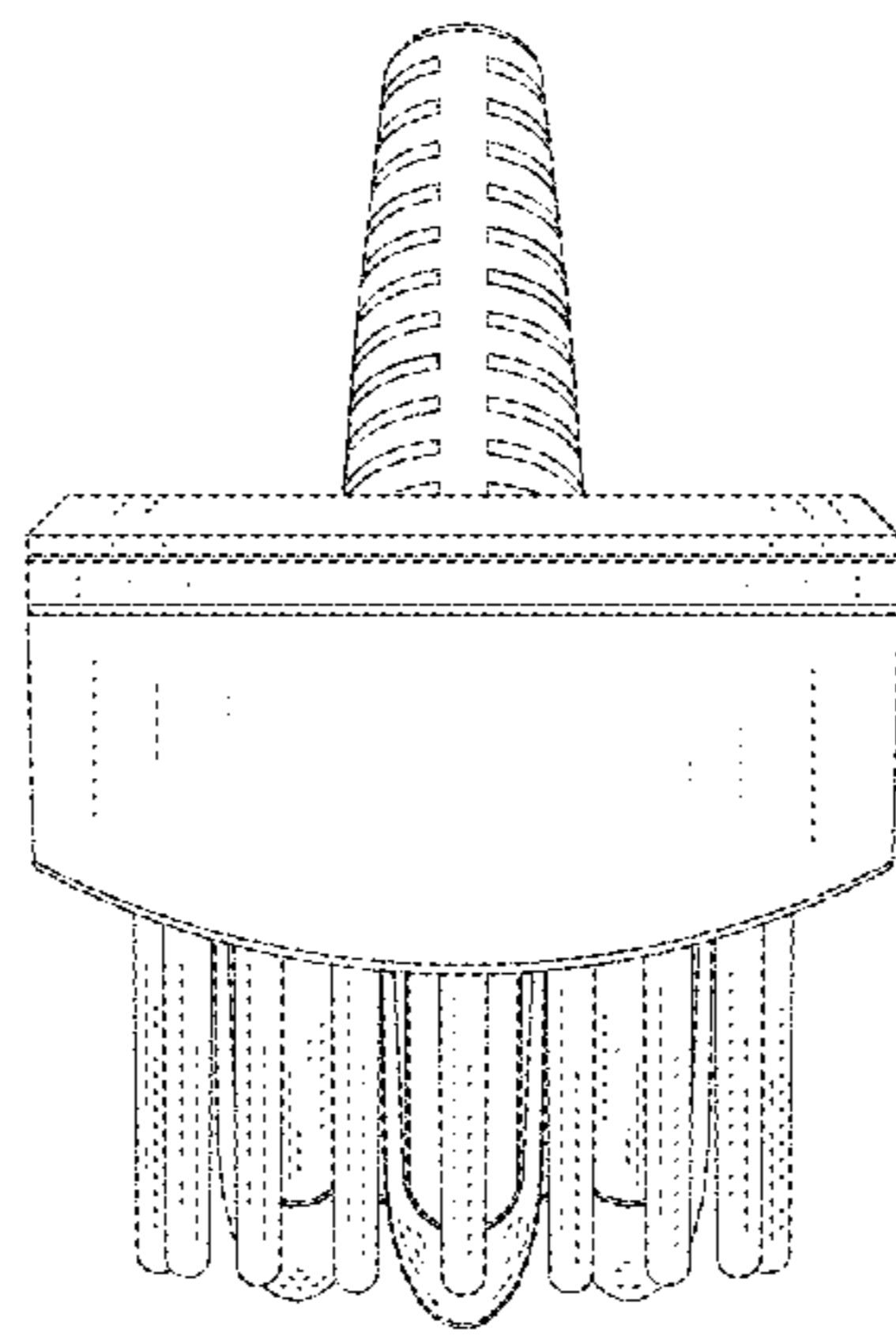


FIG. 6

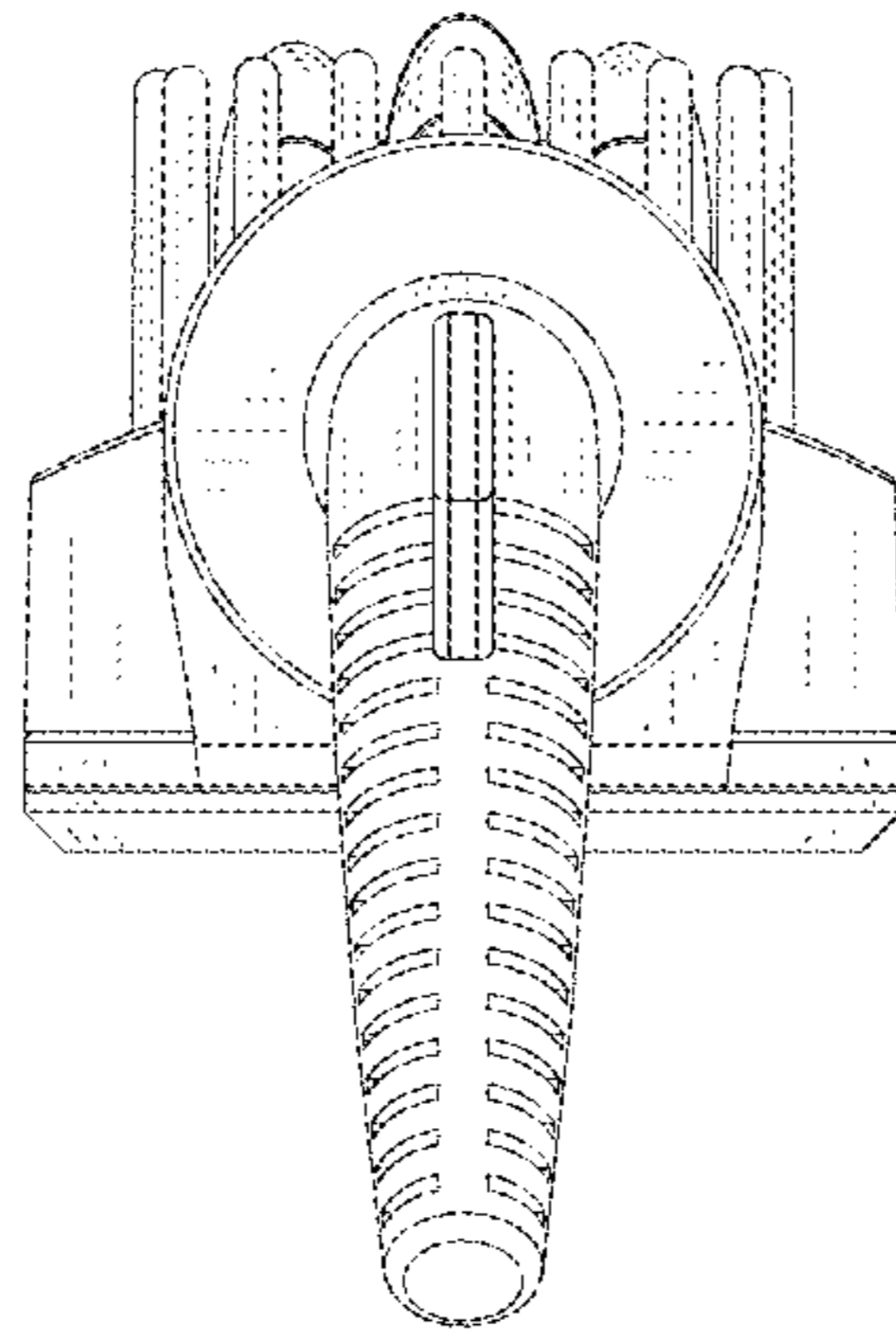


FIG. 7