



US00D973955S

(12) **United States Design Patent** (10) **Patent No.:** **US D973,955 S**  
**Lee et al.** (45) **Date of Patent:** **\*\* Dec. 27, 2022**

(54) **HAIR IRON**

OTHER PUBLICATIONS

(71) Applicant: **UNIX ELECTRONICS CO., LTD.**,  
Gimpo-si (KR)

(72) Inventors: **Chung Gu Lee**, Seoul (KR); **Han Jo Lee**, Seoul (KR)

(73) Assignee: **UNIX ELECTRONICS CO. LTD.**,  
Gimpo (KR)

(\*\*) Term: **15 Years**

(21) Appl. No.: **29/746,378**

(22) Filed: **Aug. 13, 2020**

(30) **Foreign Application Priority Data**

Feb. 24, 2020 (KR) ..... 30-2020-0008118

(51) **LOC (13) Cl.** ..... **28-03**

(52) **U.S. Cl.**  
USPC ..... **D28/35**

(58) **Field of Classification Search**  
USPC ..... D28/35, 24, 18, 37; D4/100  
CPC .. A45D 24/007; A45D 2/00-002; A45D 1/00;  
A45D 1/04; A45D 1/06-14; A45D  
2/38-40; A45D 2001/004-008  
See application file for complete search history.

(56) **References Cited**

U.S. PATENT DOCUMENTS

D646,023 S *	9/2011	Kim	.....	D28/35
D872,360 S *	1/2020	Abramov	.....	D28/35
D886,374 S *	6/2020	Hein	.....	D28/35
D908,284 S *	1/2021	Chandra	.....	D28/35

[https://www.amazon.com/Travel-Smart-Conair-Ceramic-Curling/dp/B0038KVGWK/ref=sr\\_1\\_18?crd=QNPQCU14UPL9&keywords=travel+curling+iron+usb&qid=1644606359&sprex=travel+curling+iron+usb%2Caps%2C79&sr=8-18](https://www.amazon.com/Travel-Smart-Conair-Ceramic-Curling/dp/B0038KVGWK/ref=sr_1_18?crd=QNPQCU14UPL9&keywords=travel+curling+iron+usb&qid=1644606359&sprex=travel+curling+iron+usb%2Caps%2C79&sr=8-18) Travel Smart by Conair, www.amazon.com, 1 page, reviewed as early as Sep. 2013 (Year: 2013).\* Stay Stylish with Unix, www.korea.net/NewsFocus/Business/view?articld=127613, 1 page, downloaded Feb. 10, 2022 (Year: 2022).\*

\* cited by examiner

*Primary Examiner* — Jennifer Rivard

(74) *Attorney, Agent, or Firm* — Jae Youn Kim; Novick, Kim & Lee, PLLC

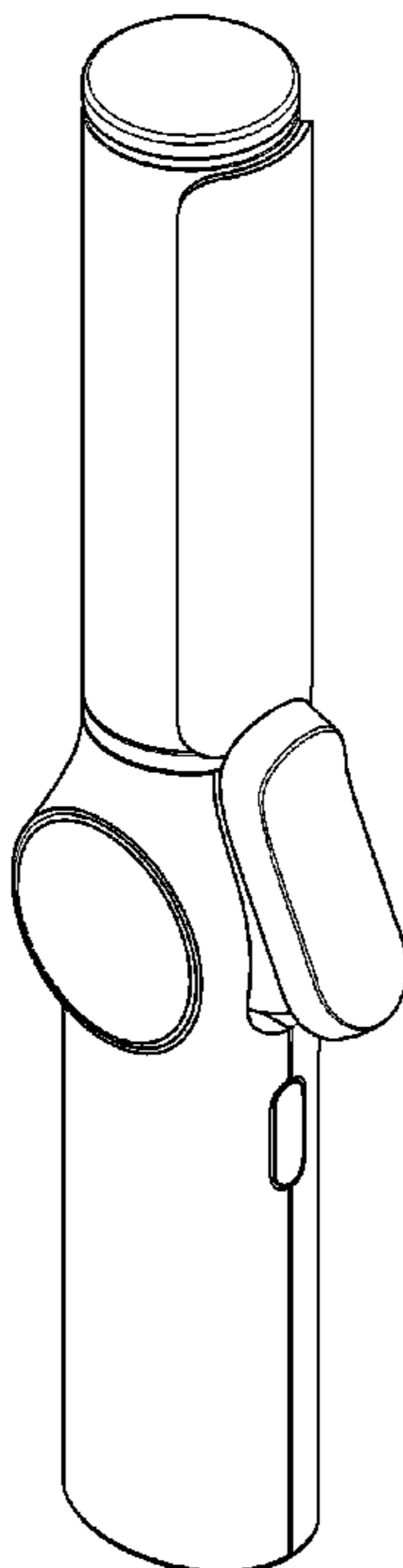
(57) **CLAIM**

The ornamental design for a hair iron, as shown and described.

**DESCRIPTION**

FIG. 1 a perspective view of a hair iron showing our new design;  
FIG. 2 is a front elevational view thereof;  
FIG. 3 is a rear elevational view thereof;  
FIG. 4 is a left side elevational view thereof;  
FIG. 5 is a right side elevational view thereof;  
FIG. 6 is a top plan view thereof; and,  
FIG. 7 is a bottom plan view thereof.  
The broken lines in the drawings illustrate portions of the hair iron which form no part of the claimed design.

**1 Claim, 6 Drawing Sheets**



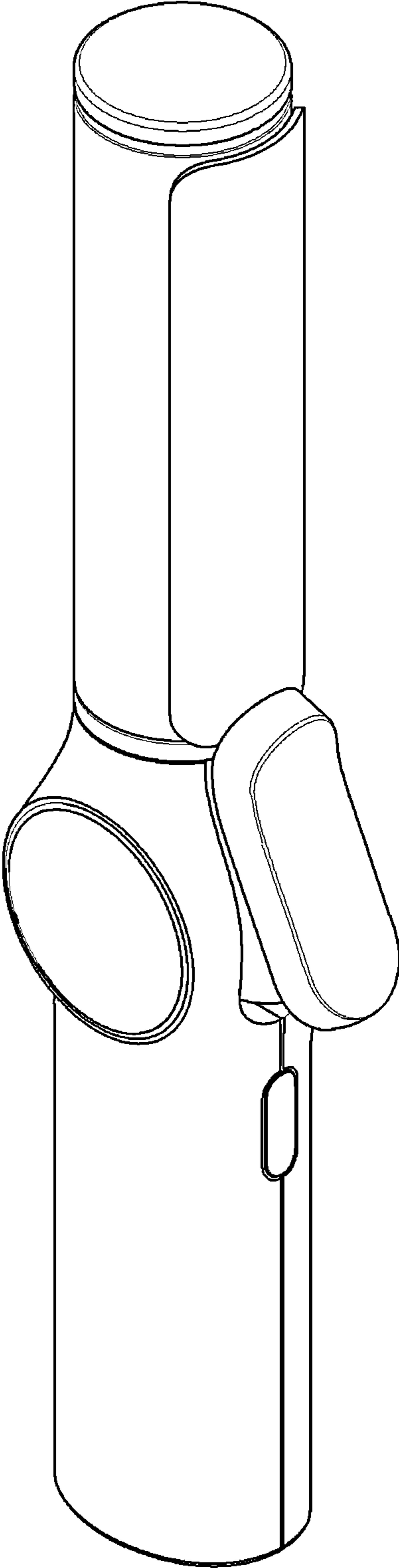


FIG. 1

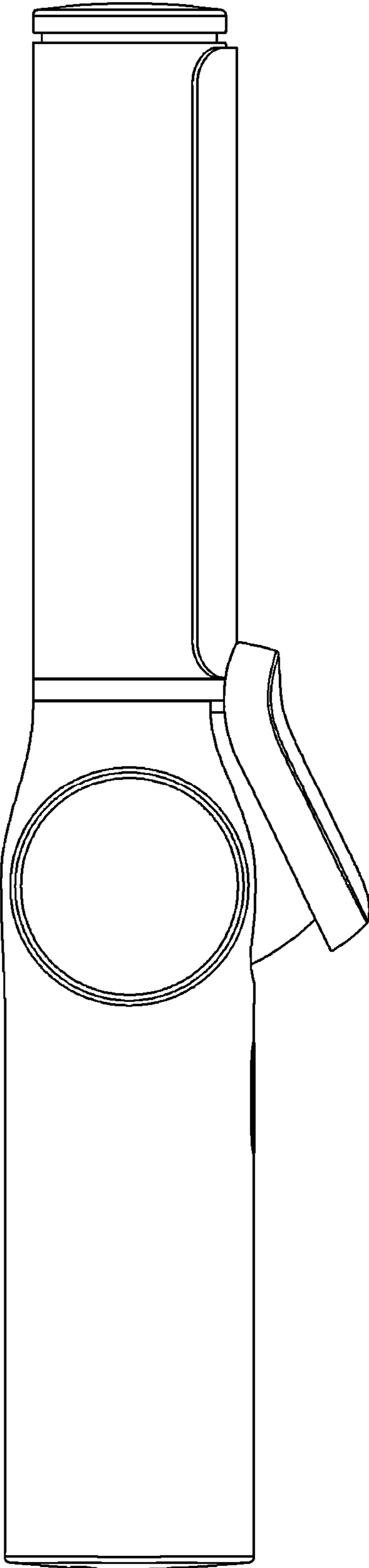


FIG. 2

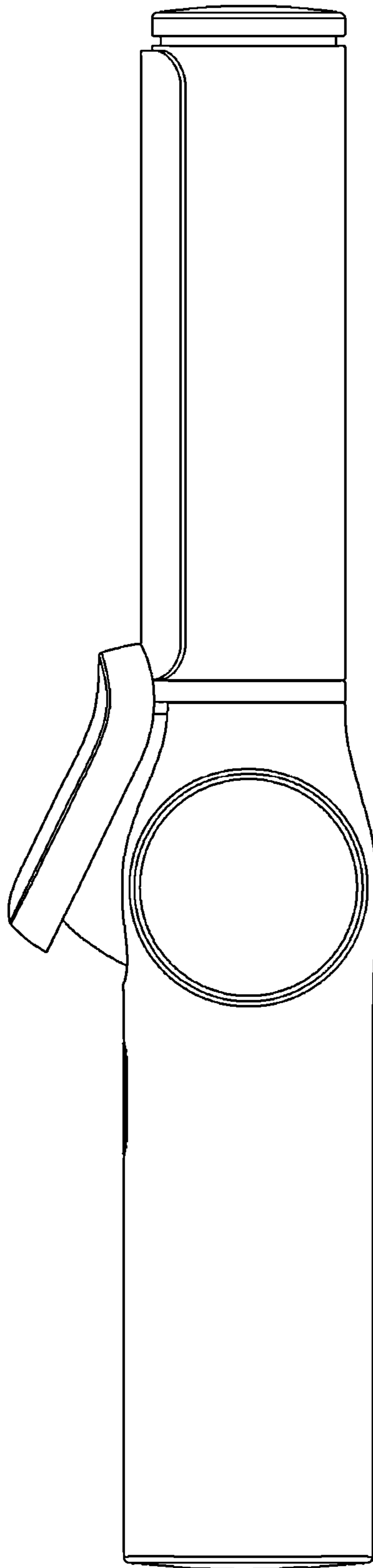
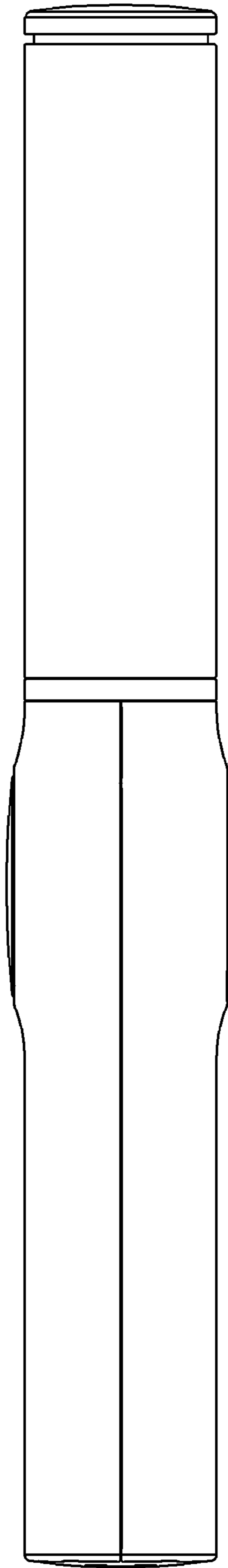
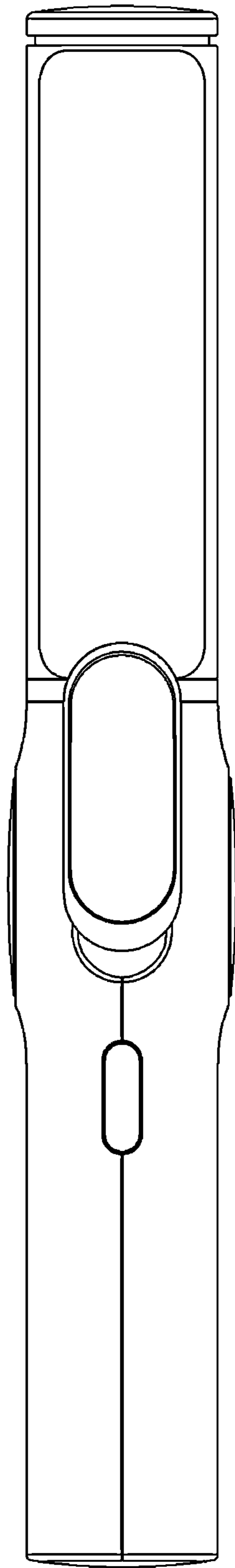


FIG. 3



**FIG. 4**



**FIG. 5**

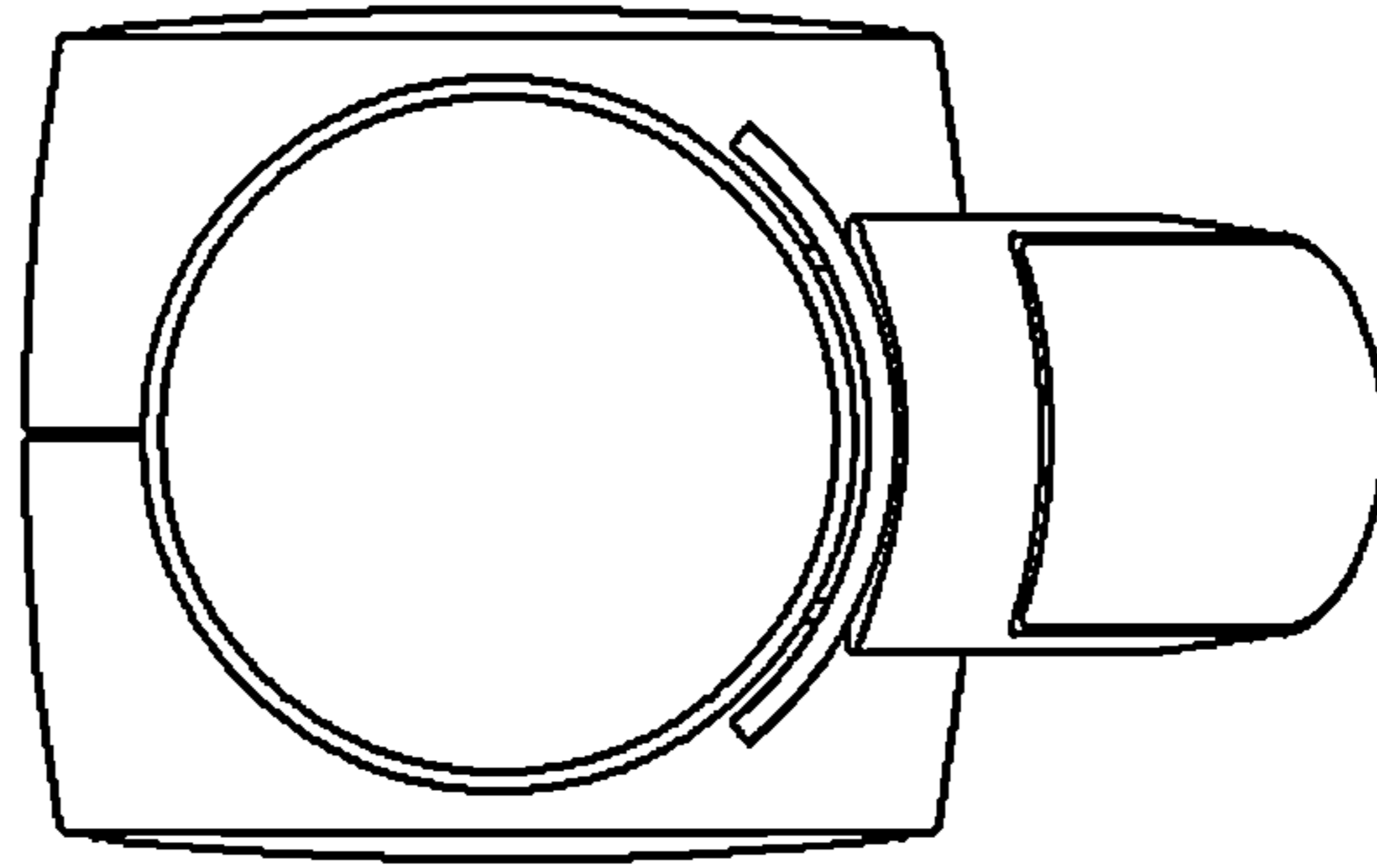


FIG. 6

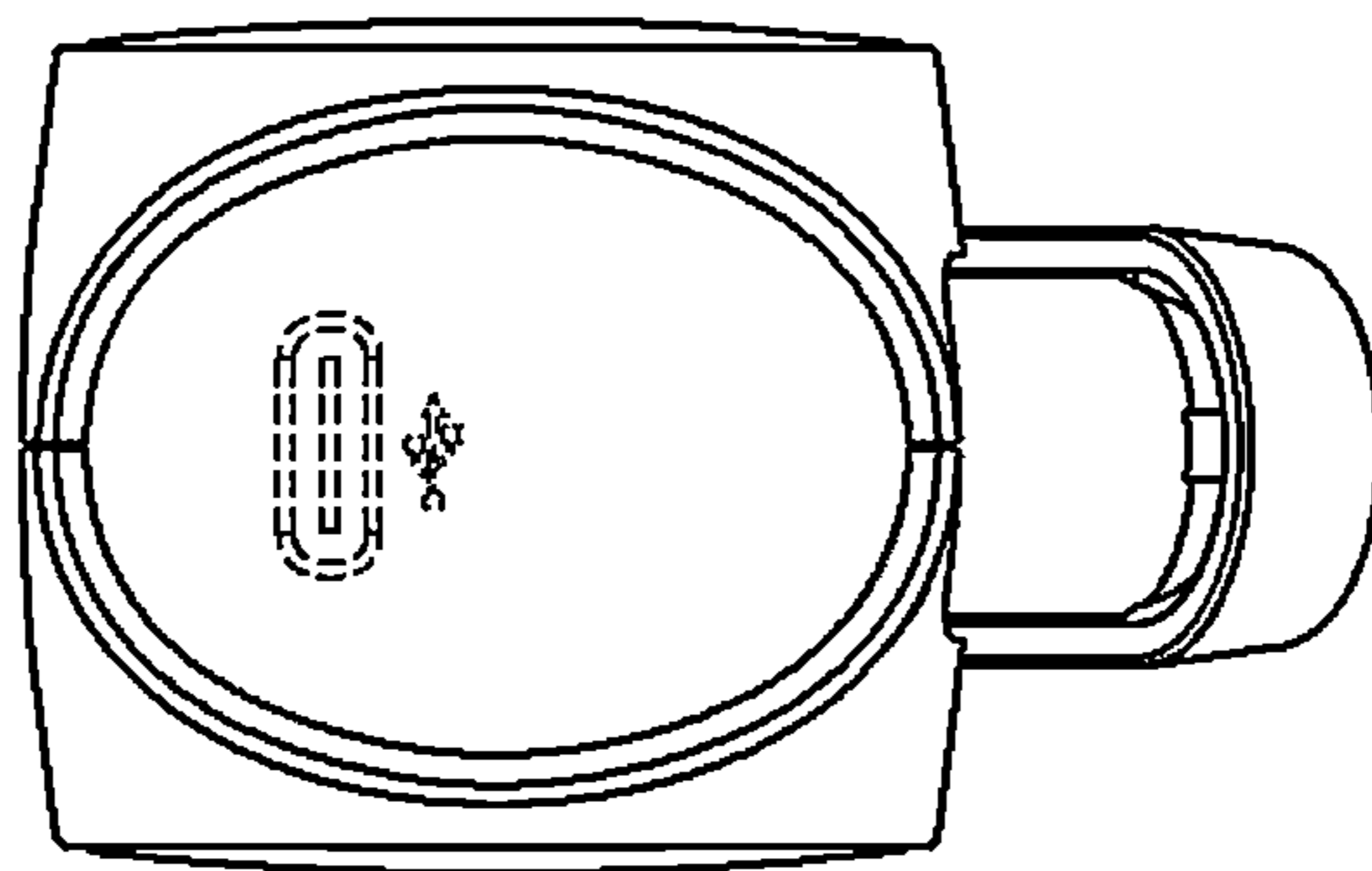


FIG. 7