



US00D973954S

(12) **United States Design Patent**
Bianco

(10) **Patent No.:** **US D973,954 S**

(45) **Date of Patent:** **** Dec. 27, 2022**

(54) **COSMETIC APPLICATOR**

(71) Applicant: **Dorien Bianco**, Zetjun (MT)

(72) Inventor: **Dorien Bianco**, Zetjun (MT)

(**) Term: **15 Years**

(21) Appl. No.: **29/797,294**

(22) Filed: **Jun. 30, 2021**

(51) **LOC (13) Cl.** **28-03**

(52) **U.S. Cl.**
USPC **D28/7**

(58) **Field of Classification Search**
USPC D28/7, 20, 76, 85; D19/36
CPC . A45D 40/20; A45D 40/24; A45D 2200/1072
See application file for complete search history.

(56) **References Cited**

U.S. PATENT DOCUMENTS

| | | | | |
|--------------|---------|----------|-------|-------|
| D238,972 S * | 2/1976 | Greene | | D28/7 |
| D293,472 S * | 12/1987 | Chrones | | D28/7 |
| D421,302 S * | 2/2000 | Korteweg | | D28/7 |
| D638,987 S * | 5/2011 | Limongi | | D28/7 |

| | | | | |
|--------------|---------|-----------|-------|------------|
| D686,367 S * | 7/2013 | Ruiz, Sr. | | D28/7 |
| D822,899 S * | 7/2018 | Corsi | | D28/7 |
| D868,371 S * | 11/2019 | Huchet | | B65D 47/42 |
| | | | | D28/7 |
| D927,063 S * | 8/2021 | Roh | | D28/7 |

* cited by examiner

Primary Examiner — Zenia I Bennett

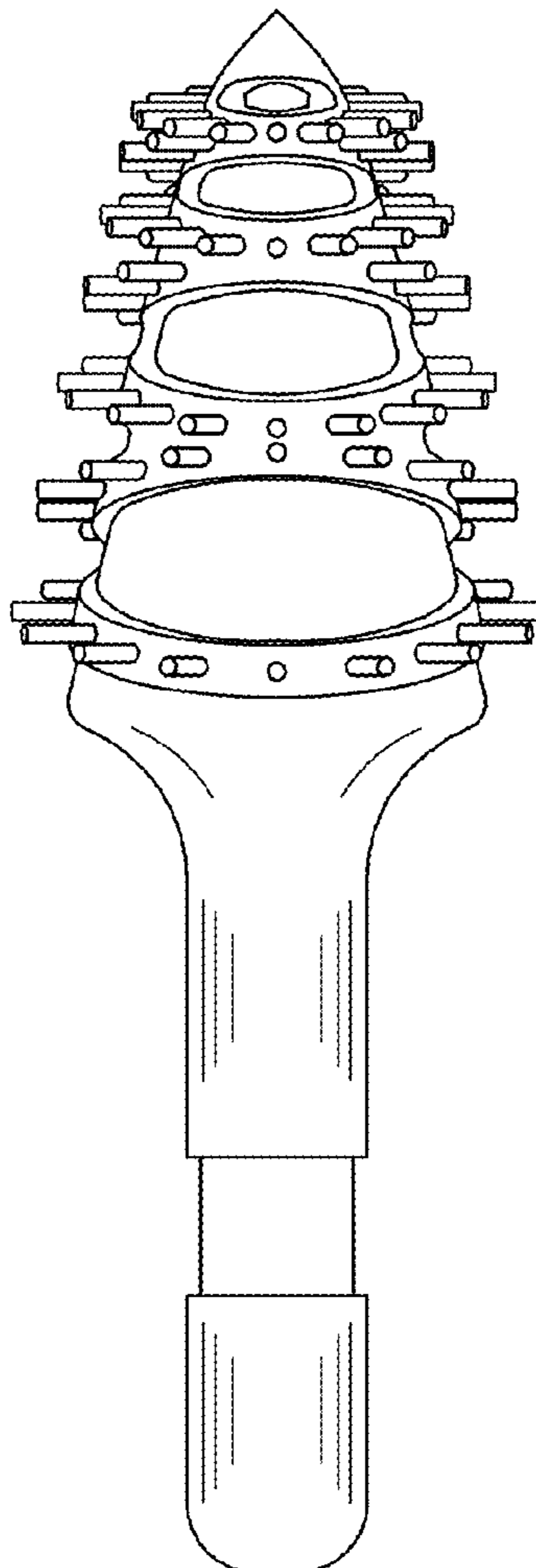
(57) **CLAIM**

I, claim the ornamental design for a cosmetic applicator, as shown and described.

DESCRIPTION

FIG. 1 is a front elevation view of a cosmetic applicator showing my new design.
 FIG. 2 is a left hand side elevation view of FIG. 1.
 FIG. 3 is a rear elevation view FIG. 1.
 FIG. 4 is a right hand side elevation view of FIG. 1.
 FIG. 5 is a top elevation view of FIG. 1.
 FIG. 6 is a bottom elevation view of FIG. 1.
 FIG. 7 is a top perspective view of FIG. 1; and
 FIG. 8 is a bottom perspective view of FIG. 1.

1 Claim, 3 Drawing Sheets



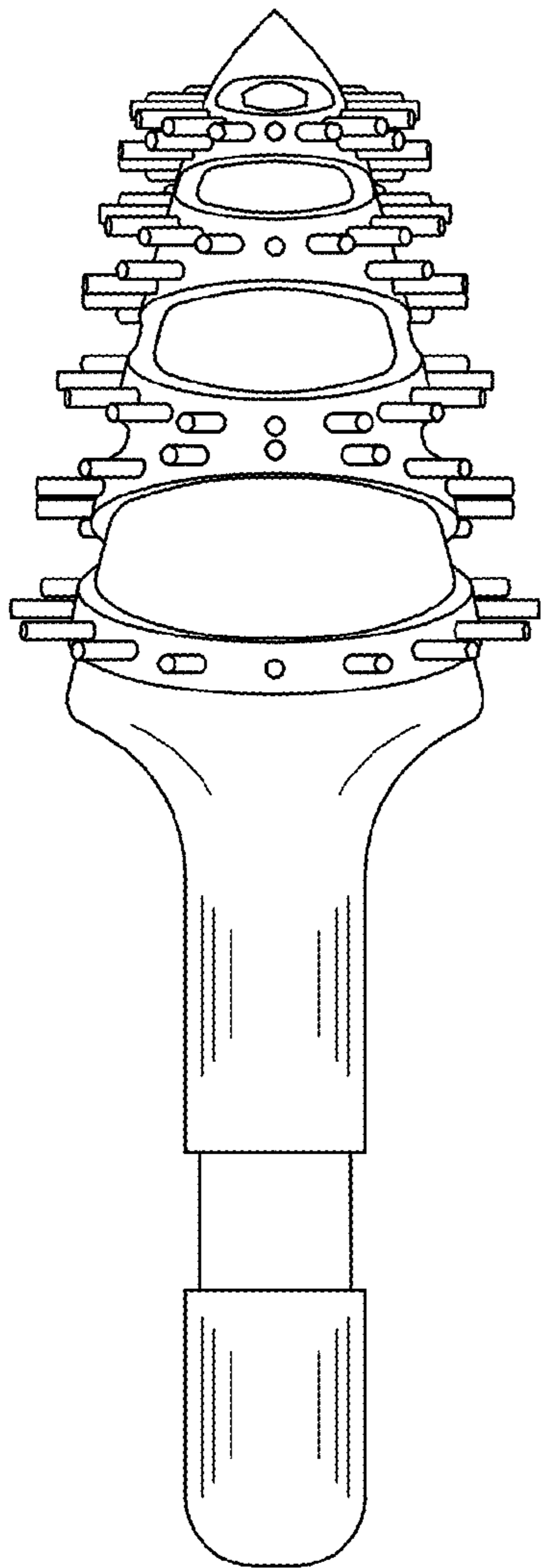


FIG.1

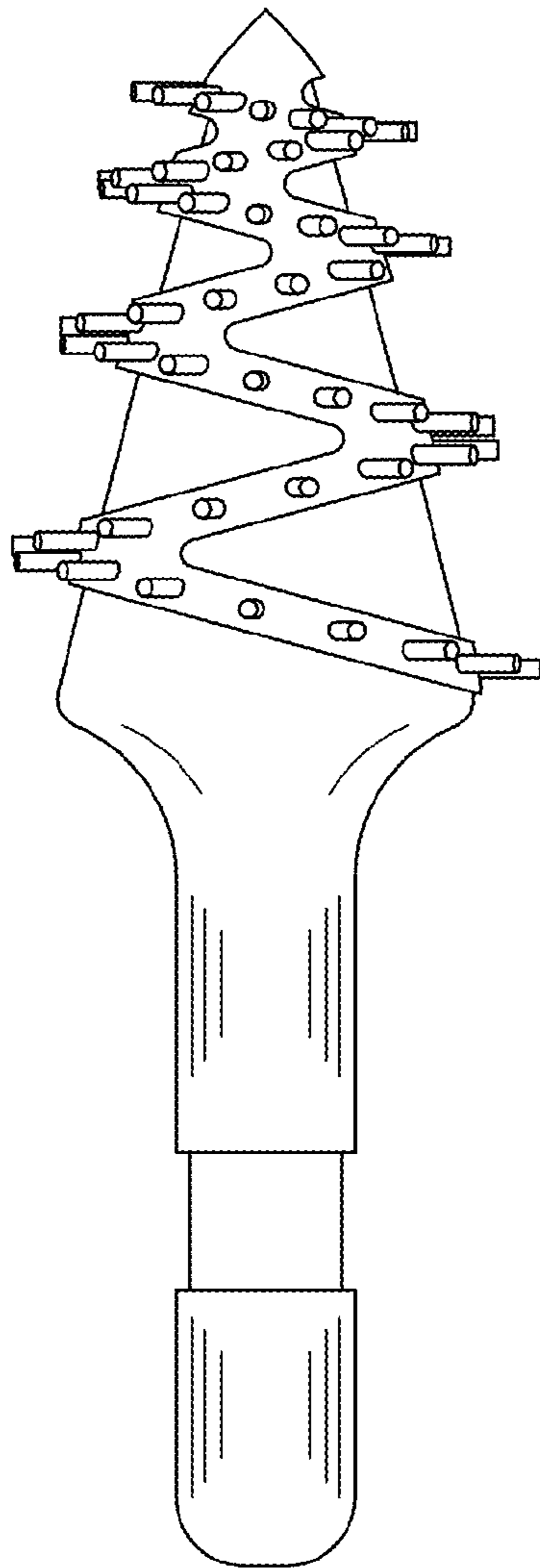


FIG.2

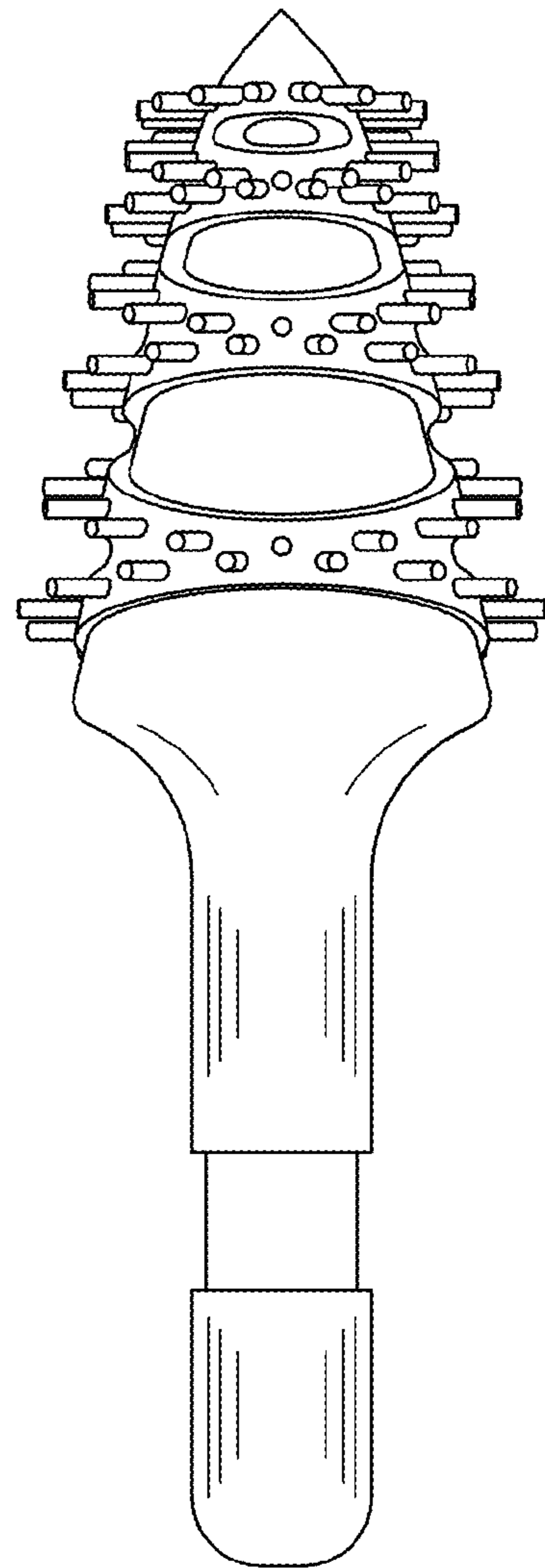


FIG.3

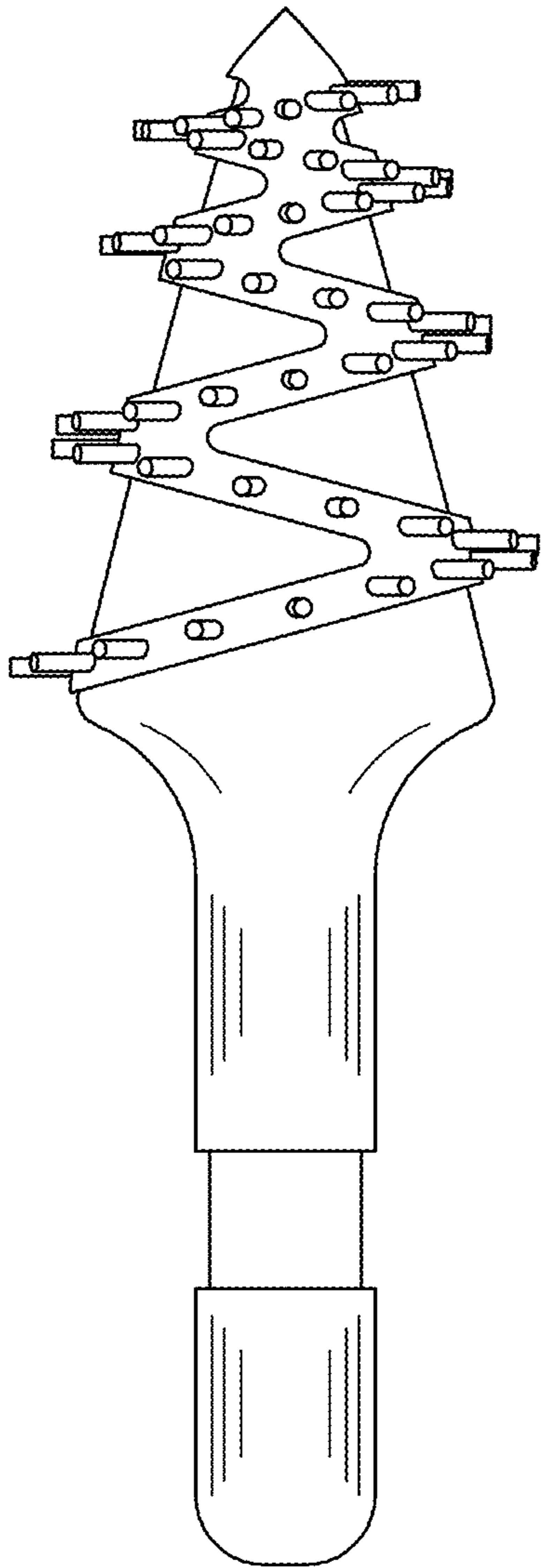


FIG. 4

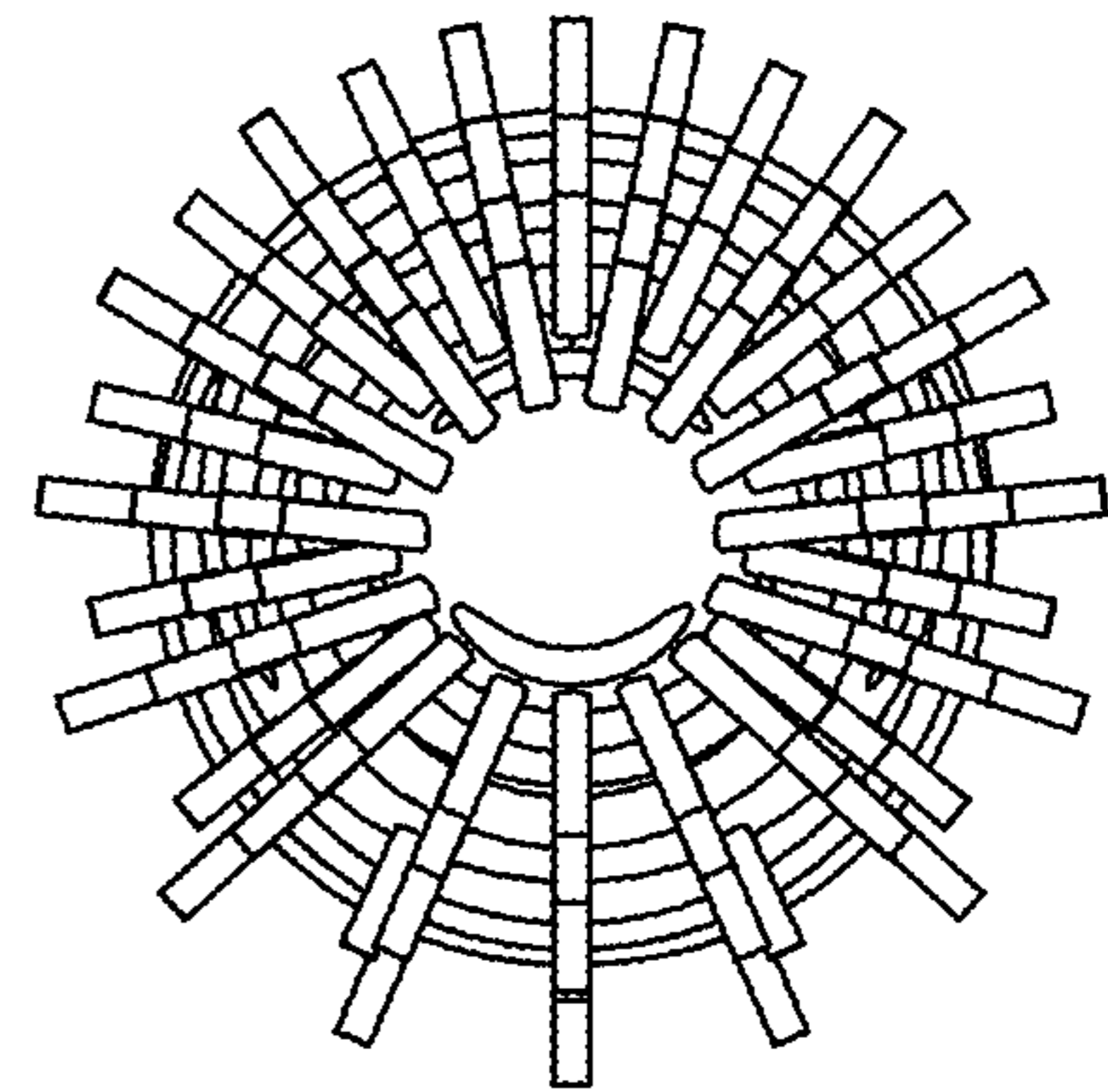


FIG. 5

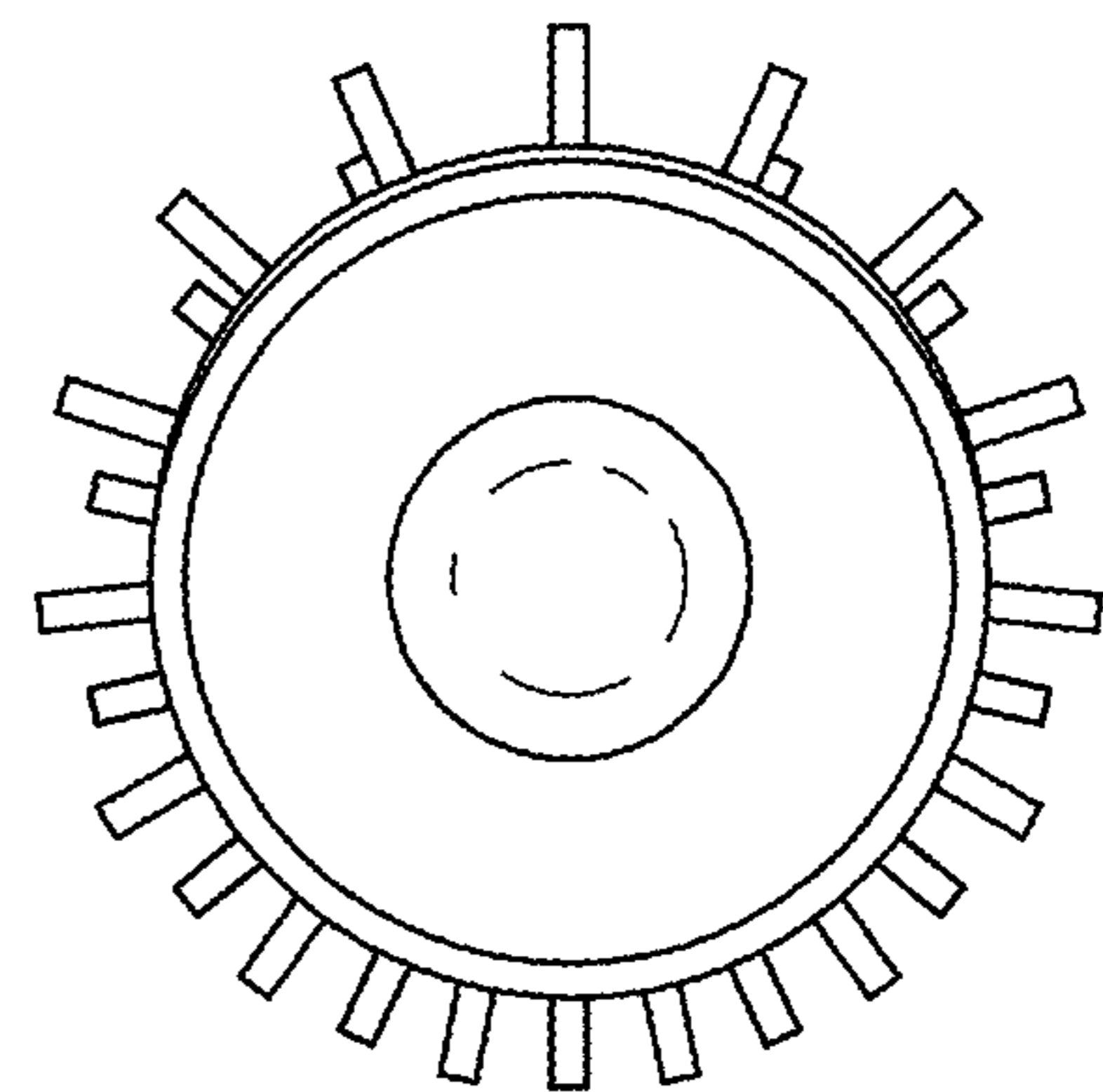


FIG. 6

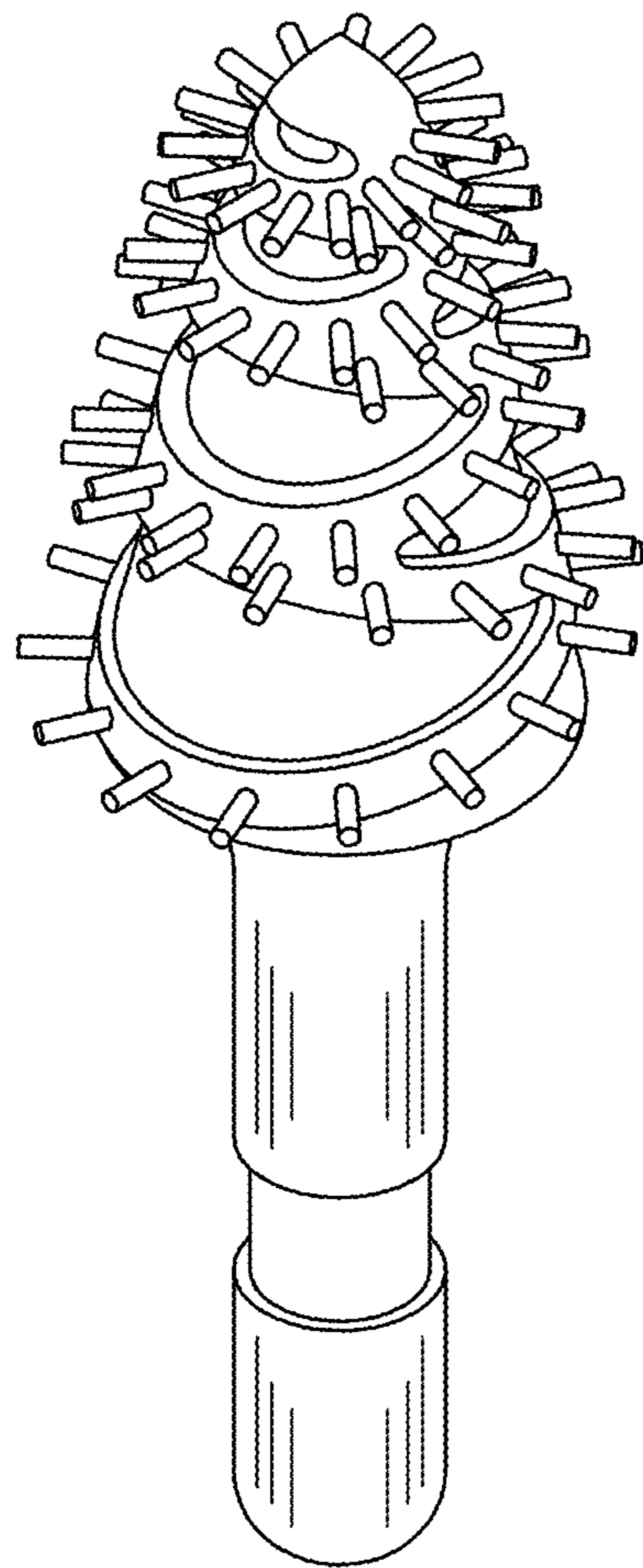


FIG.7

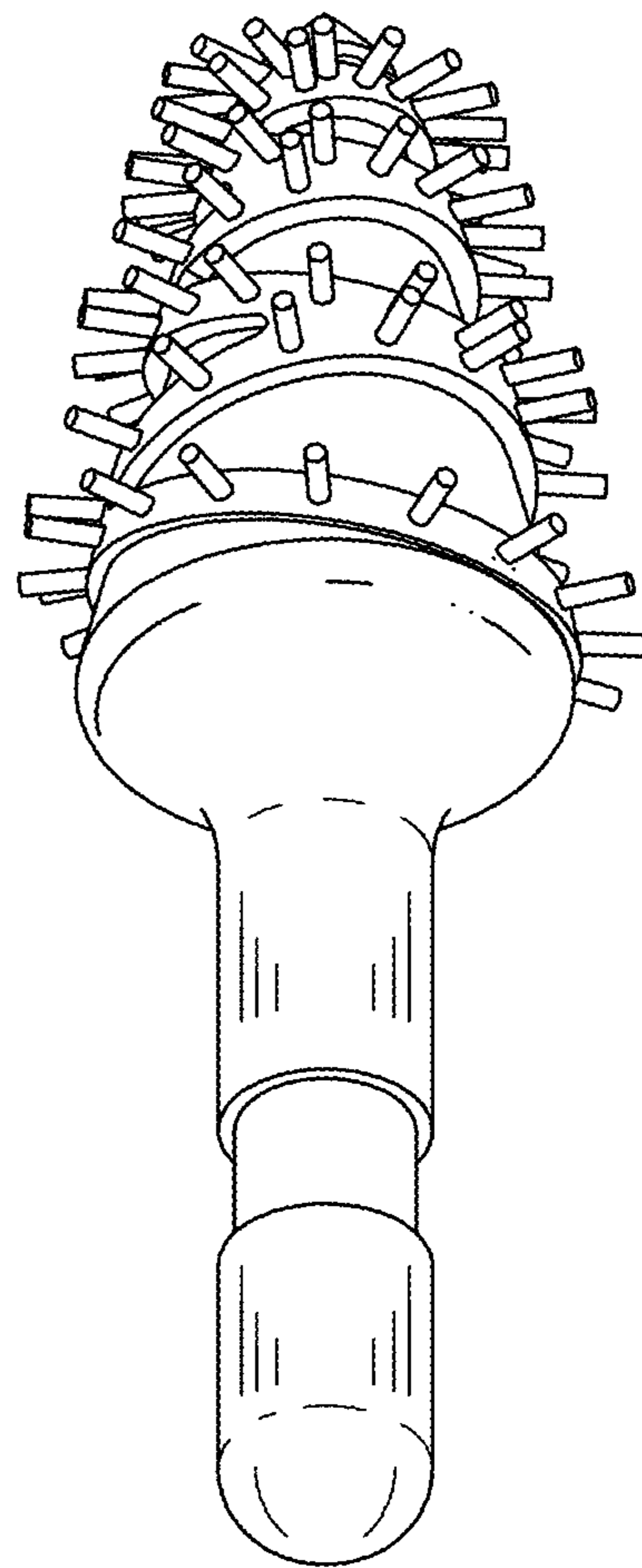


FIG.8