



US00D973953S

(12) **United States Design Patent**
Han

(10) **Patent No.:** **US D973,953 S**

(45) **Date of Patent:** **** Dec. 27, 2022**

(54) **SMOKING DEVICE**

(71) Applicant: **Jeffrey Han**, Los Altos Hills, CA (US)

(72) Inventor: **Jeffrey Han**, Los Altos Hills, CA (US)

(**) Term: **15 Years**

(21) Appl. No.: **29/796,989**

(22) Filed: **Jun. 28, 2021**

(51) **LOC (13) Cl.** **27-02**

(52) **U.S. Cl.**
USPC **D27/162**

(58) **Field of Classification Search**
USPC D27/162, 100, 101, 125, 128, 167, 172,
D27/183, 193, 194; D23/360, 366
CPC A24C 5/00; A24C 5/40; A24C 5/44; A24D
3/04; A24D 3/02; A24F 13/22; A24F
13/00; A24F 1/30
See application file for complete search history.

(56) **References Cited**

U.S. PATENT DOCUMENTS

D443,350 S *	6/2001	Delmenico	D23/360
D469,962 S *	2/2003	Campbell	D32/35
D483,915 S *	12/2003	Campbell	D32/35
D656,230 S *	3/2012	Robinson	D23/363
D737,419 S *	8/2015	Emarlou	D23/360
D761,488 S *	7/2016	Alarcon	D27/135
D769,438 S *	10/2016	Crosby	D24/110
D804,015 S *	11/2017	Lamba	D24/110
D810,263 S *	2/2018	Lu	D23/366
D820,514 S *	6/2018	Durand	D27/162
D824,504 S *	7/2018	Williams	D23/360
D850,710 S *	6/2019	Wu	D27/101
D850,711 S *	6/2019	He	D27/162
D852,408 S *	6/2019	Nettenstrom	D27/101
D855,875 S *	8/2019	Yan	D27/101

D868,366 S *	11/2019	Hawes	D27/162
D908,953 S *	1/2021	Fornarelli	D27/162
D943,144 S *	2/2022	Eweidah	D27/162
D943,155 S *	2/2022	Shen	D27/162
D964,641 S *	9/2022	Han	D27/162

* cited by examiner

Primary Examiner — Rebecca Tsehaye

(74) *Attorney, Agent, or Firm* — Steven N. Fox, Esq.

(57) **CLAIM**

The ornamental design for a smoking device, as shown and described.

DESCRIPTION

FIG. 1 is a front perspective view of a smoking device according to a first embodiment of the present invention with a bowl cover on;

FIG. 2 is a front perspective view of the smoking device with the bowl cover removed;

FIG. 3 is a bottom plan view thereof;

FIG. 4 is a top plan view thereof;

FIG. 5 is a front view thereof;

FIG. 6 is a rear view thereof;

FIG. 7 is a right side view thereof;

FIG. 8 is a left side view thereof;

FIG. 9 is a front perspective view of a smoking device according to a second embodiment of the present invention with a bowl cover on;

FIG. 10 is a front perspective view of the smoking device with the bowl cover removed;

FIG. 11 is a bottom plan view thereof;

FIG. 12 is a top plan view thereof;

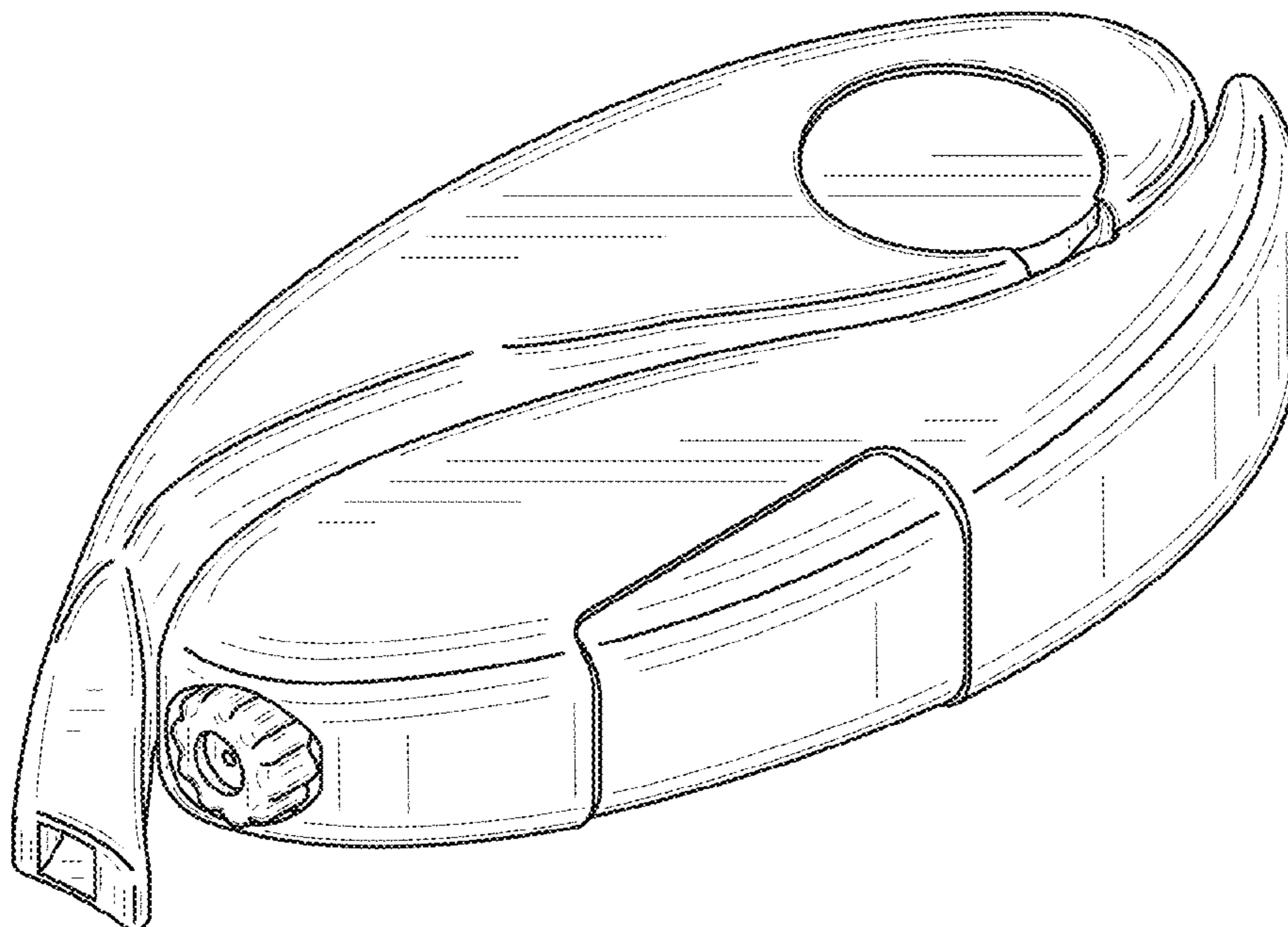
FIG. 13 is a front view thereof;

FIG. 14 is a rear view thereof;

FIG. 15 is a left side view thereof; and,

FIG. 16 is a right side view thereof.

1 Claim, 6 Drawing Sheets



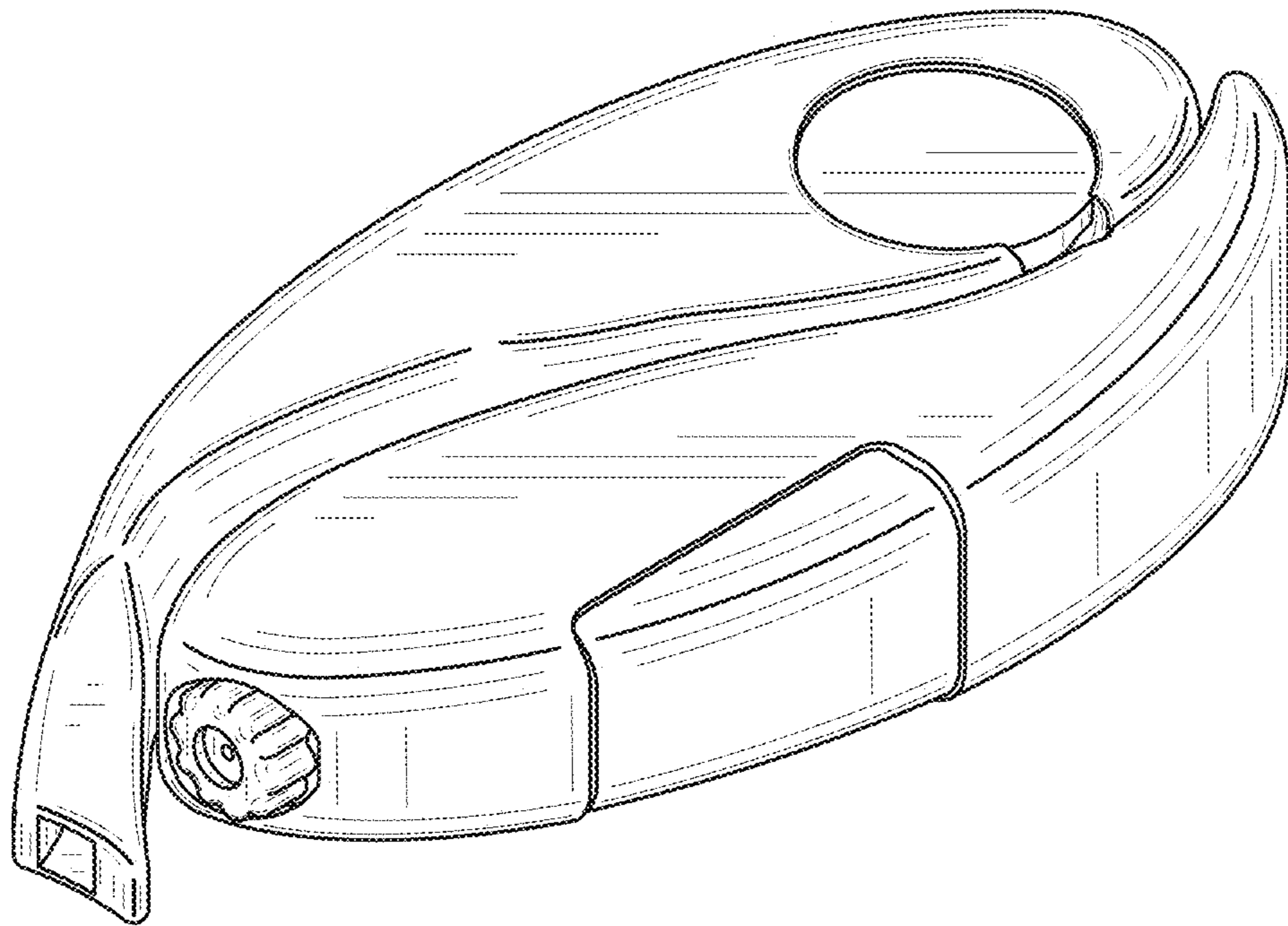


FIG. 1

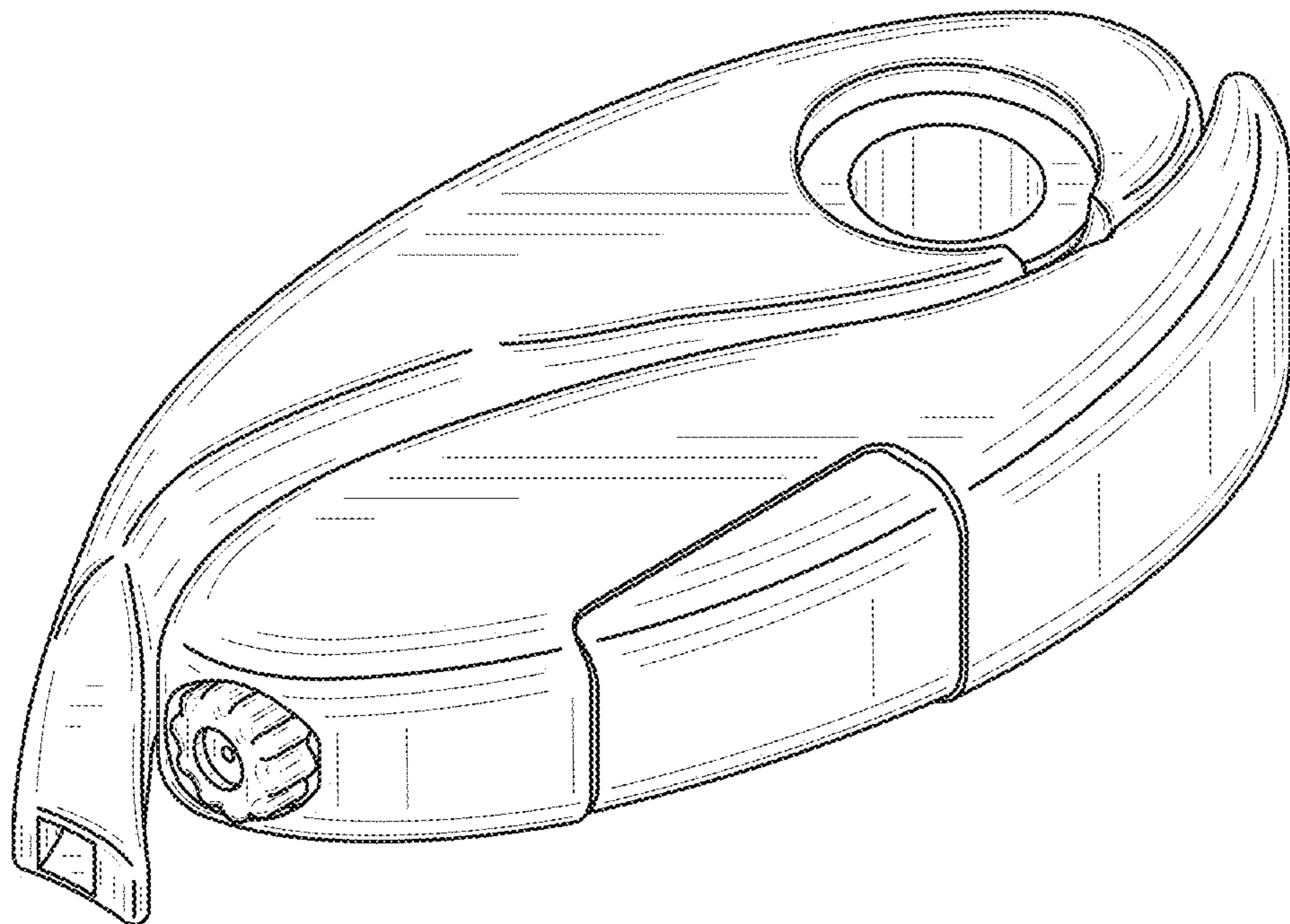


FIG. 2

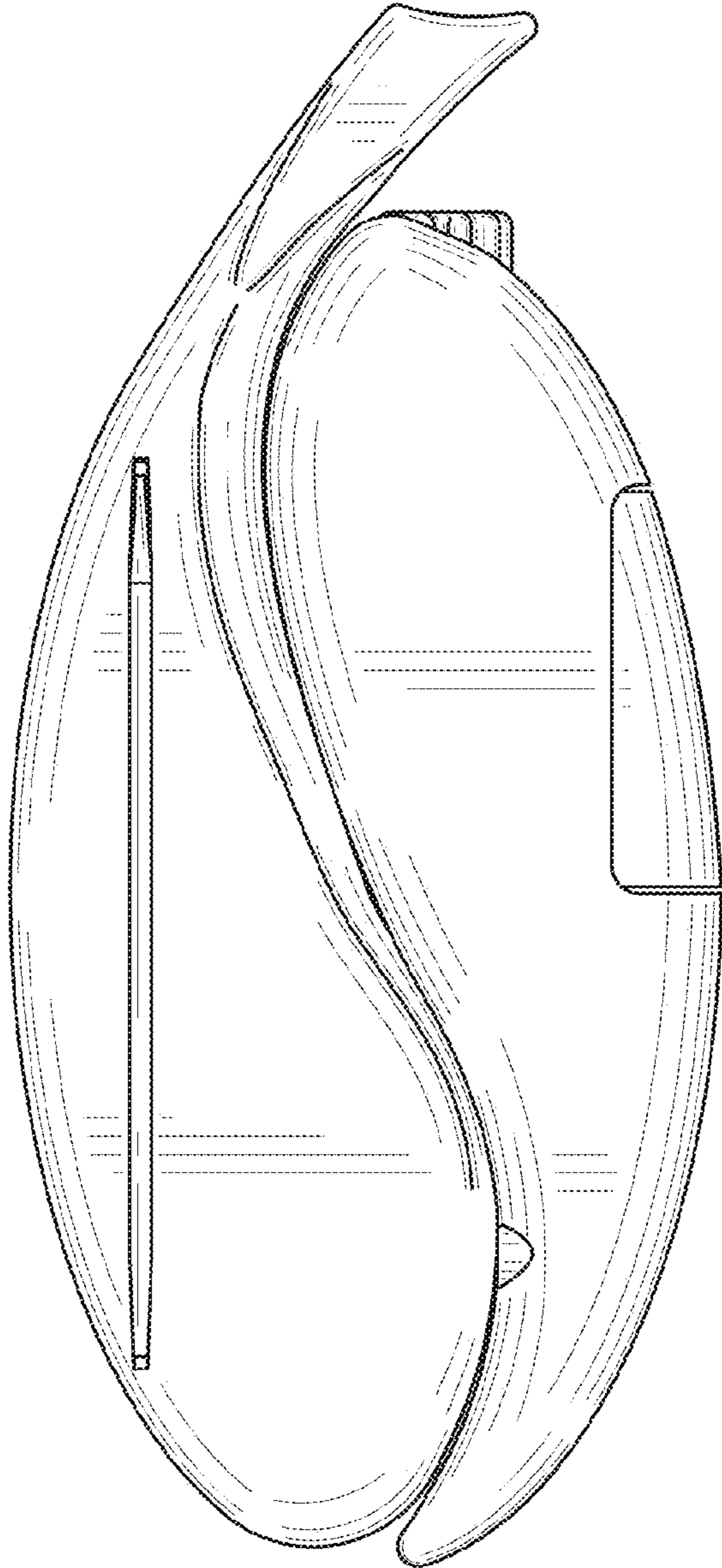


FIG. 3

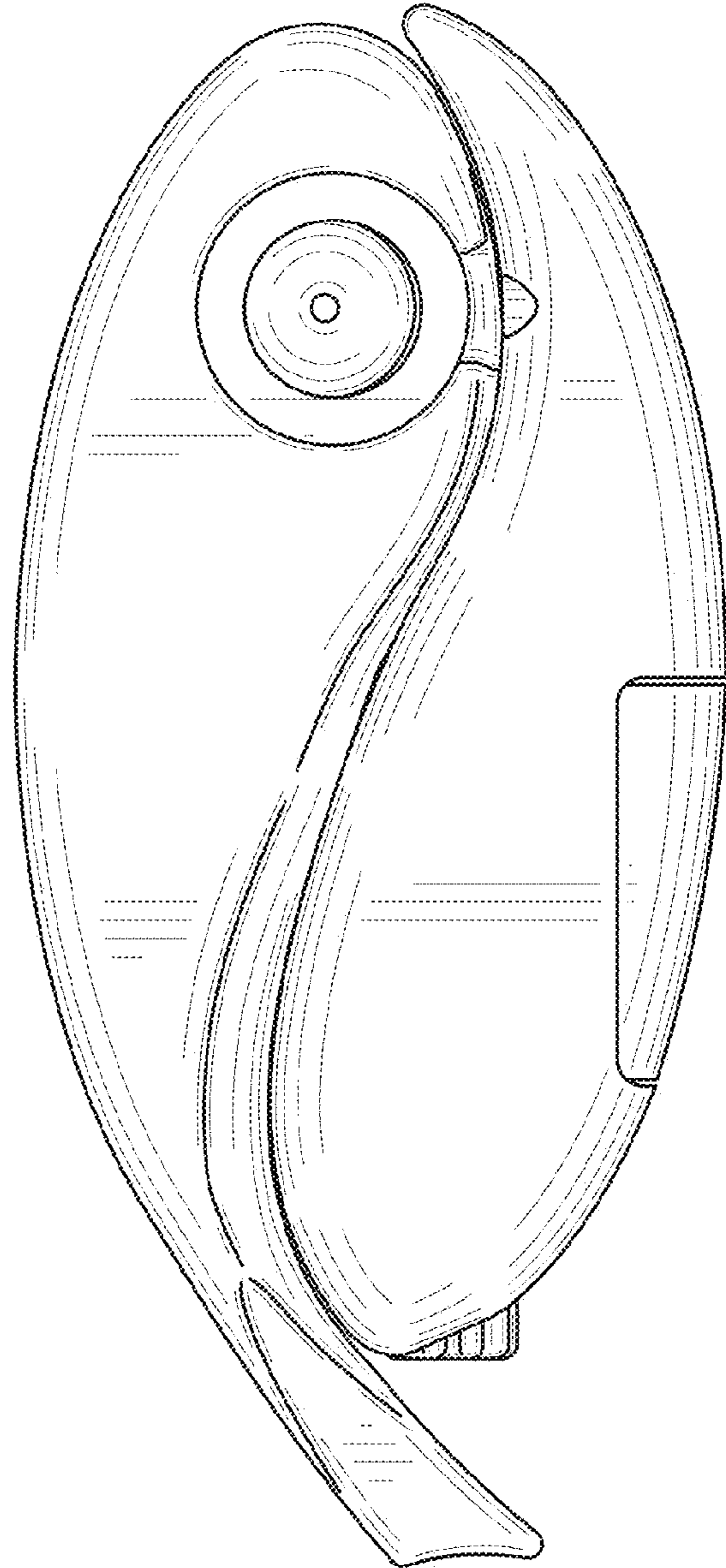


FIG. 4

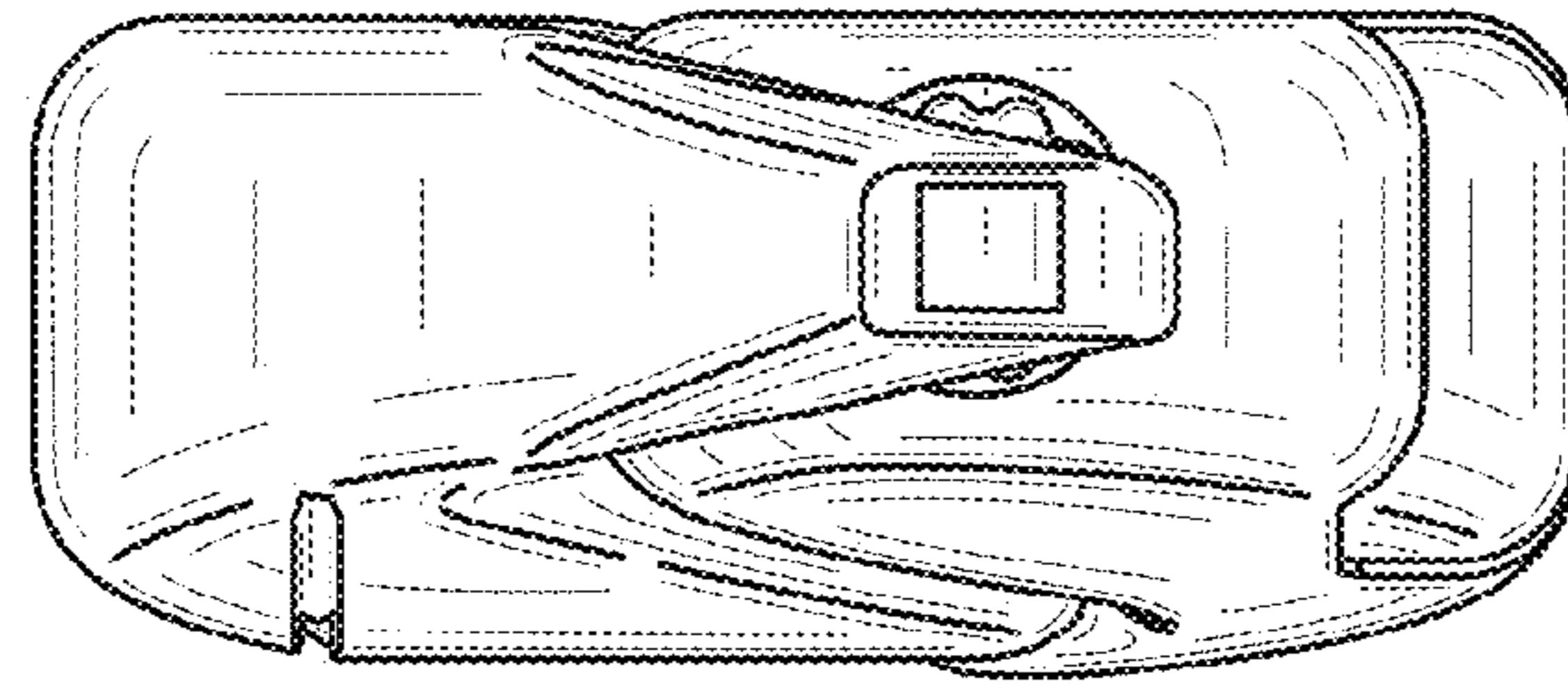


FIG. 5

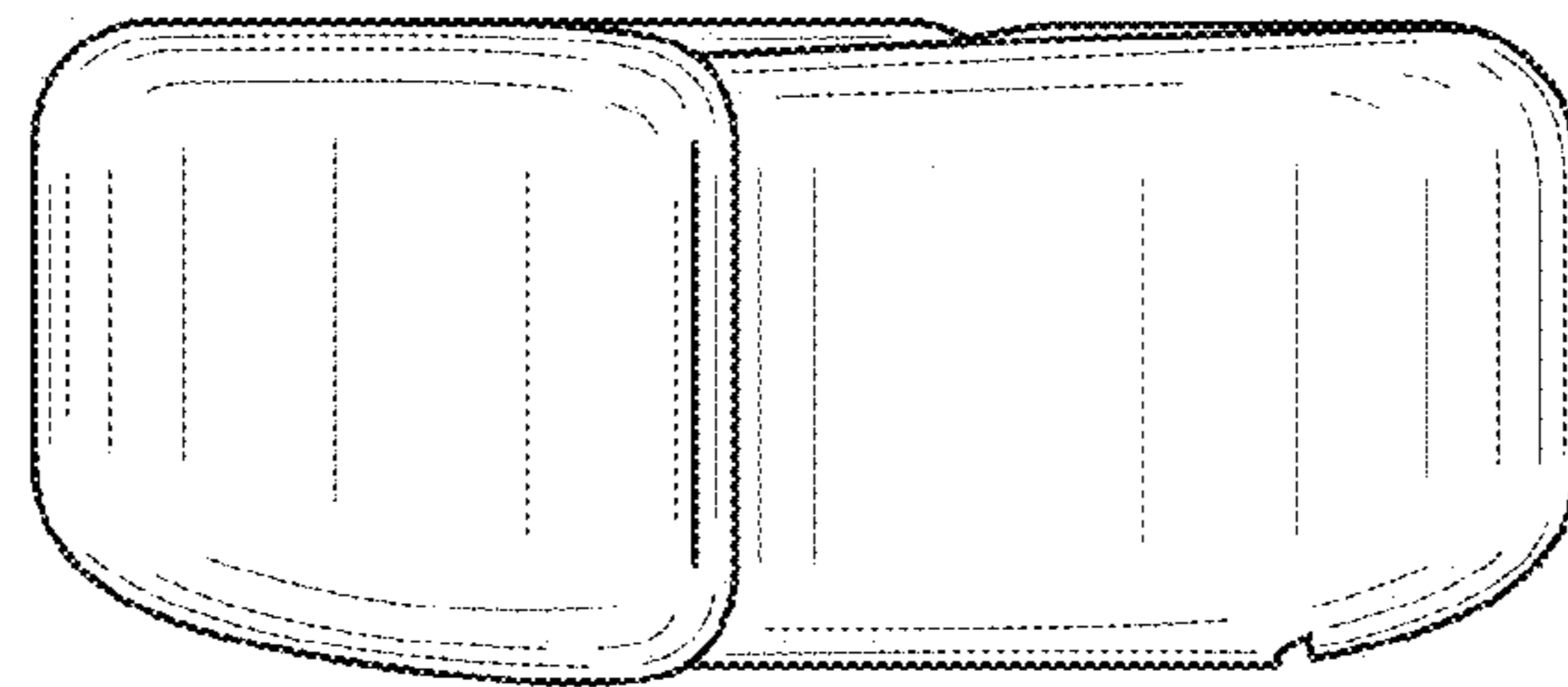


FIG. 6

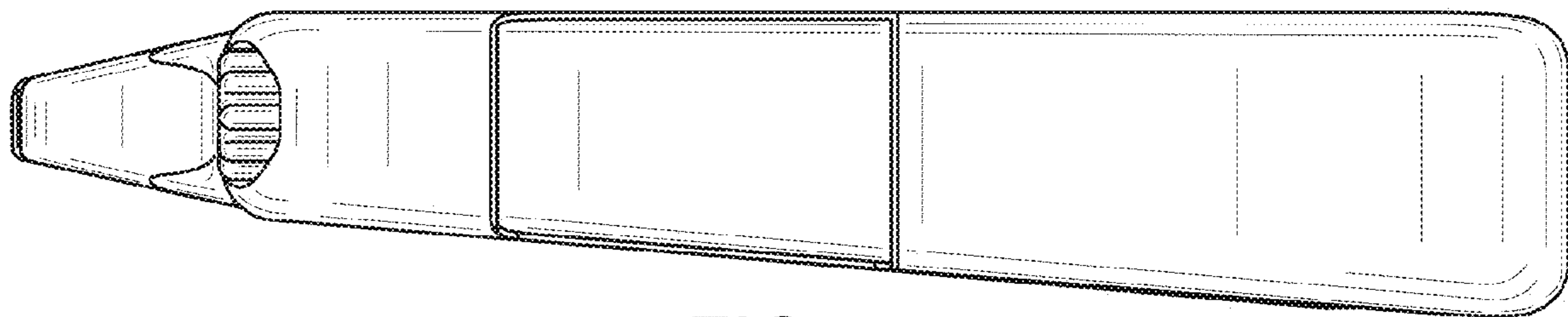


FIG. 7

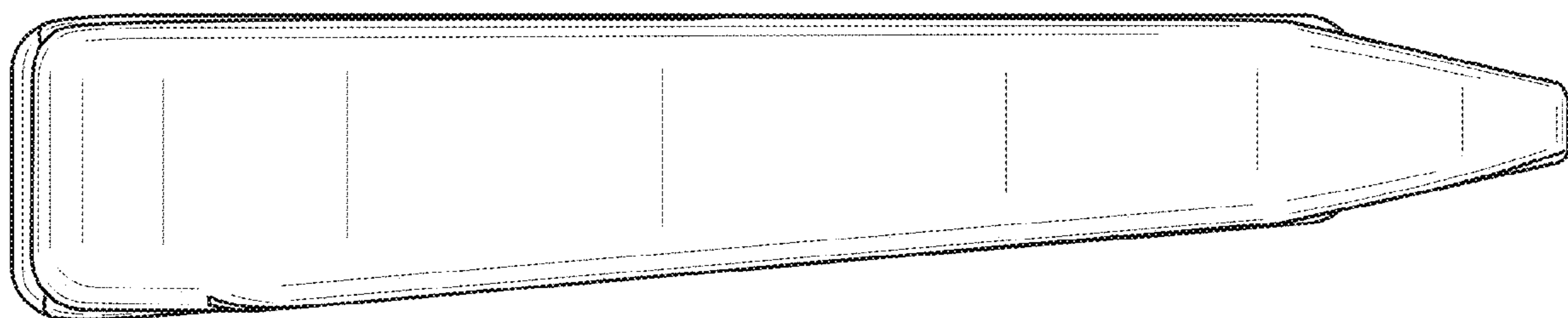


FIG. 8

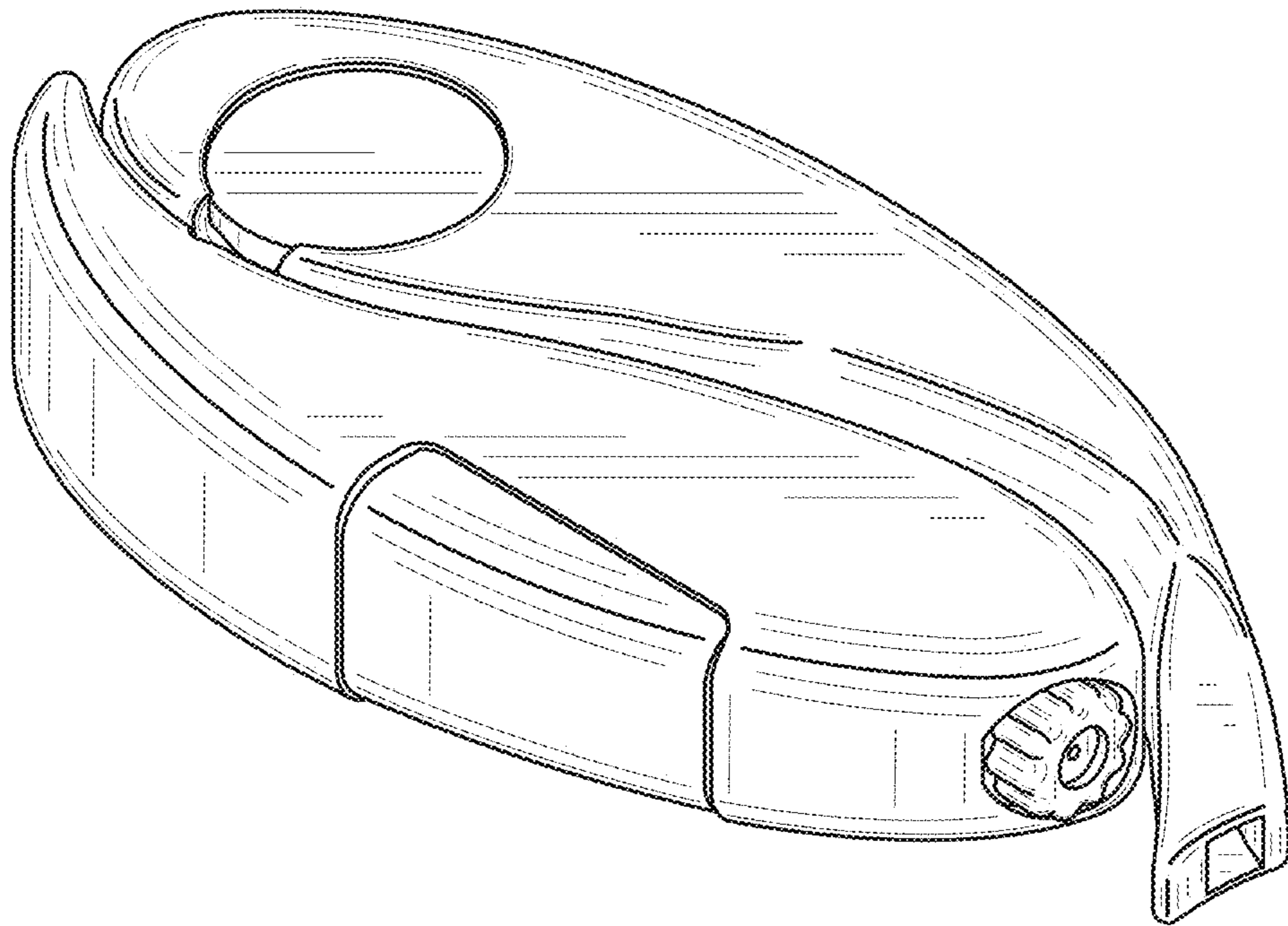


FIG. 9

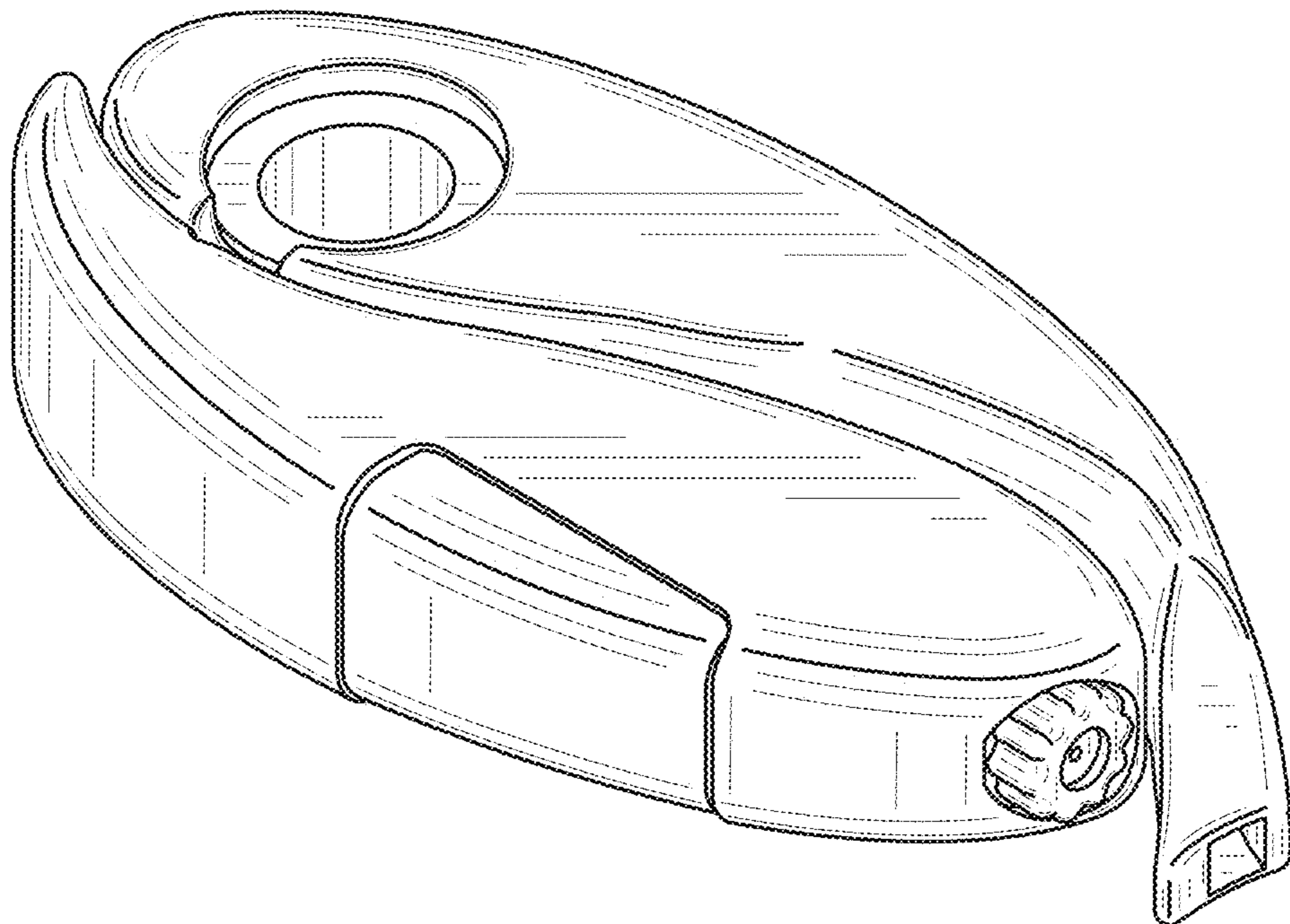


FIG. 10

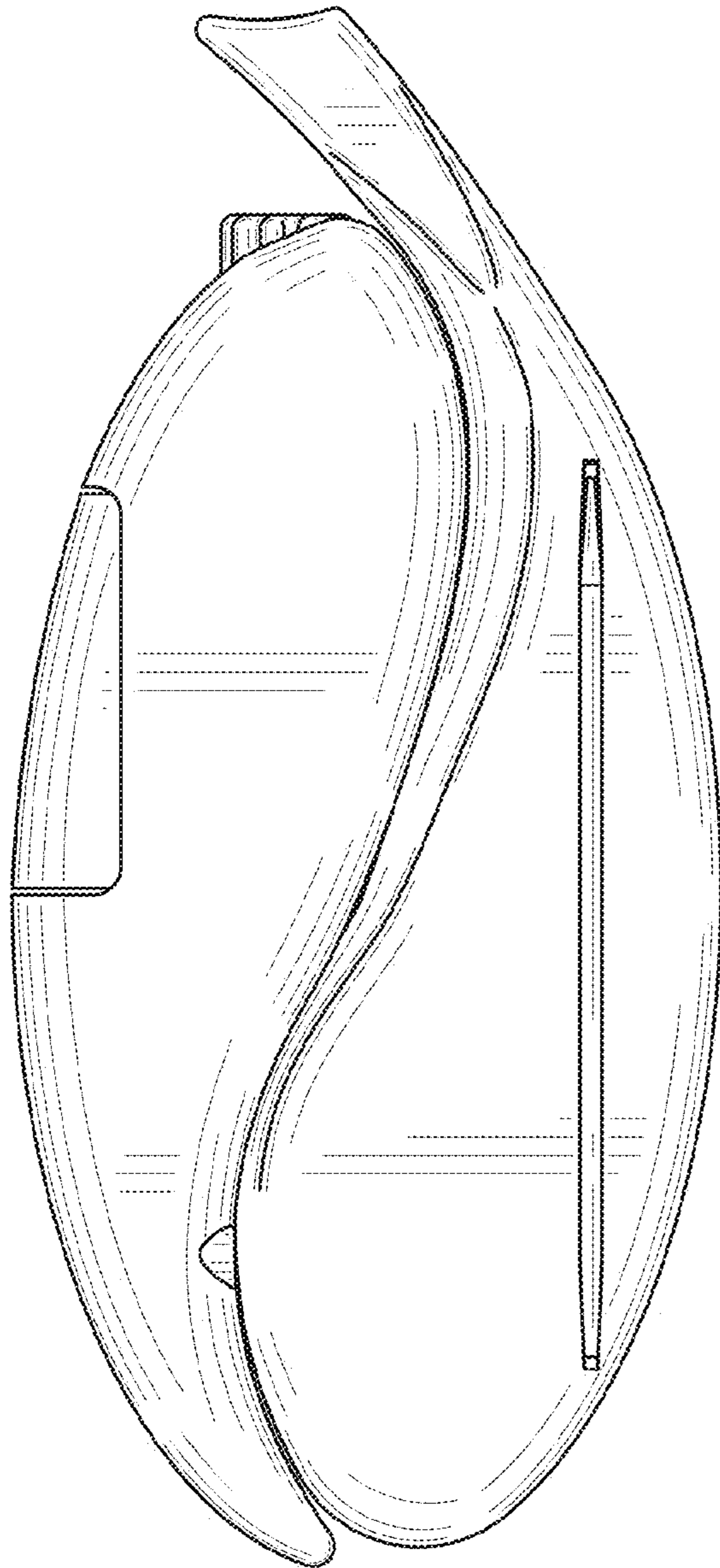


FIG. 11

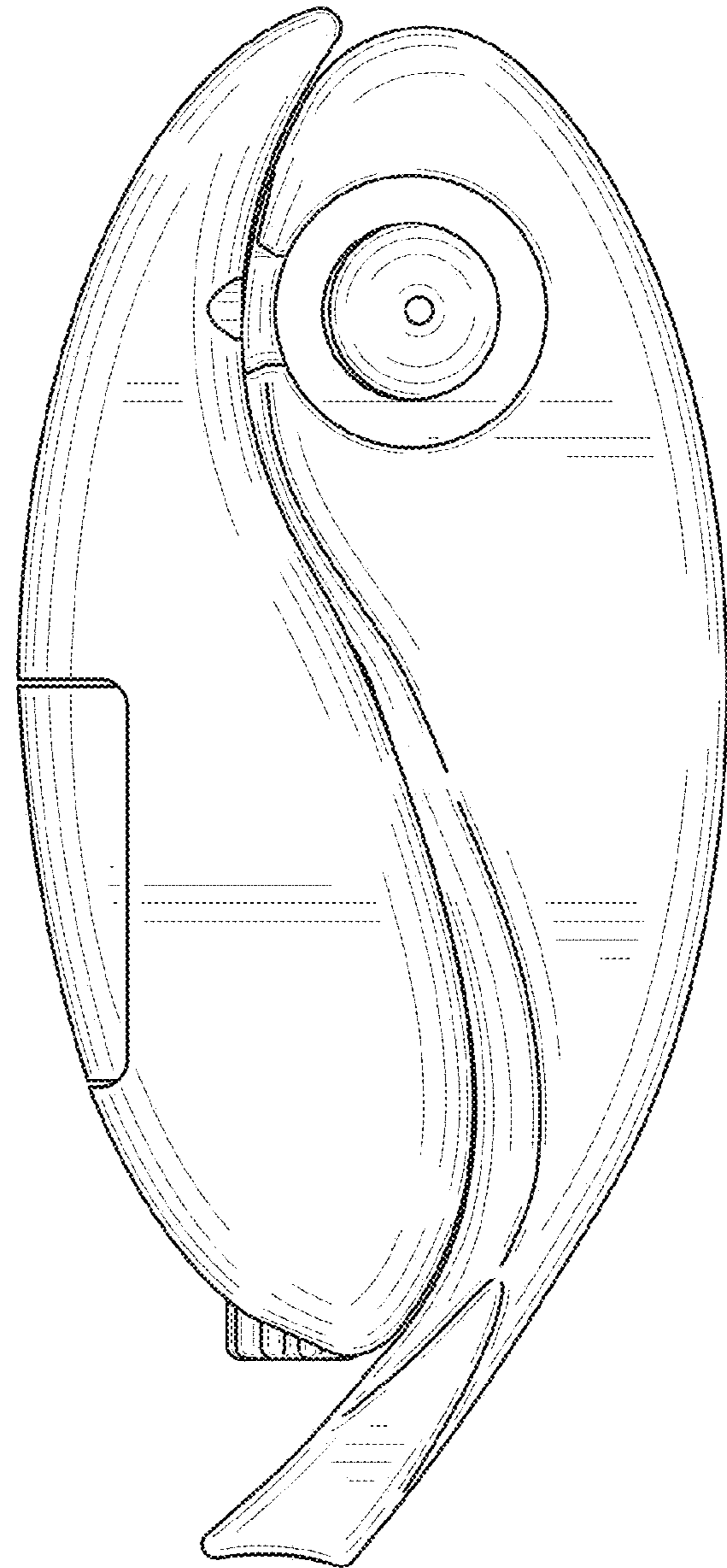


FIG. 12

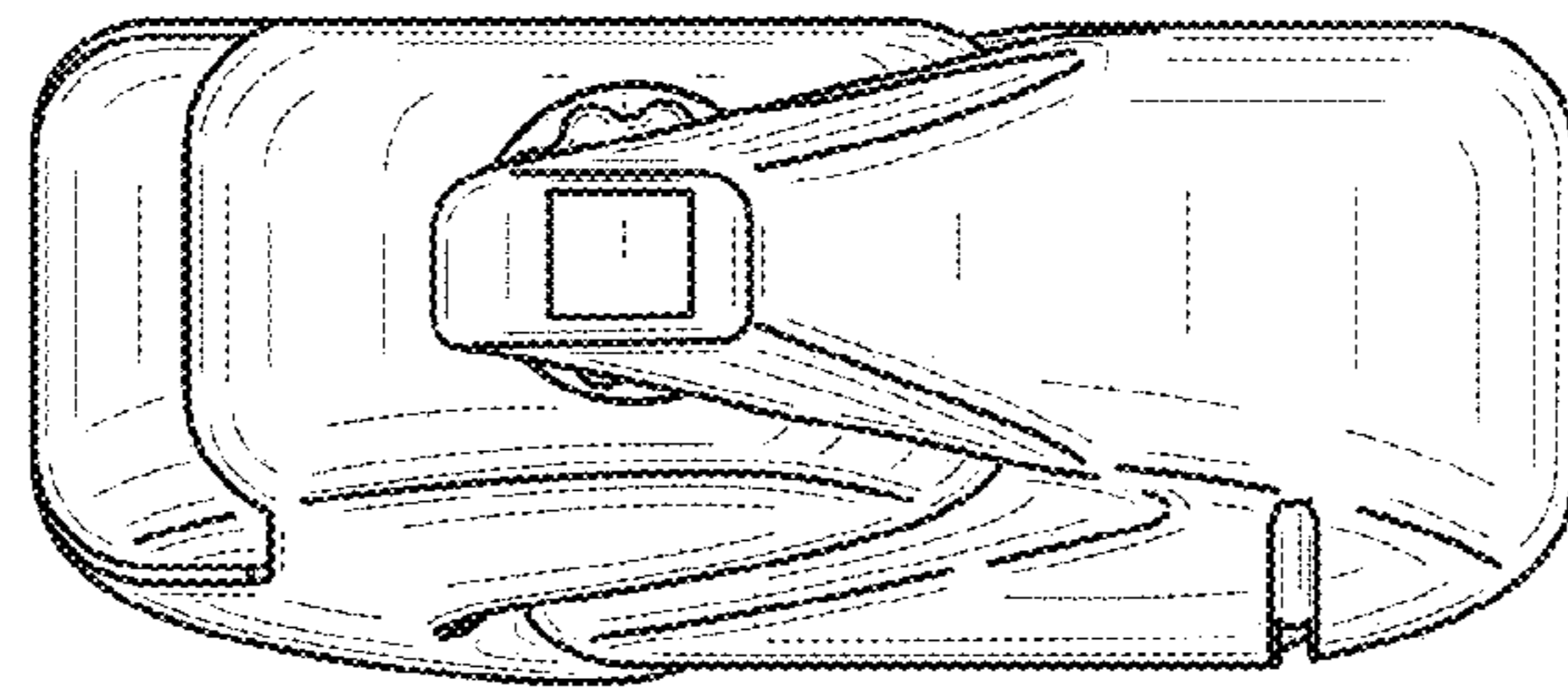


FIG. 13

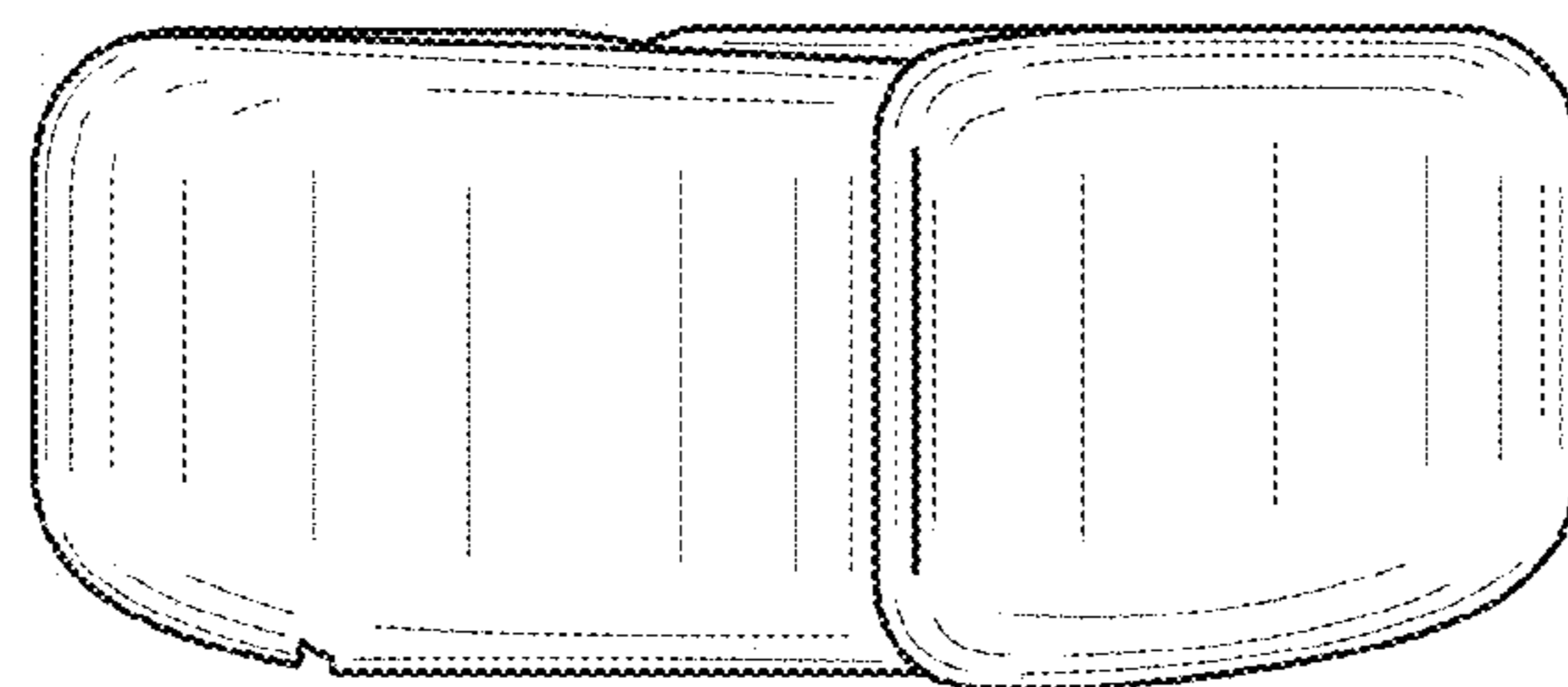


FIG. 14

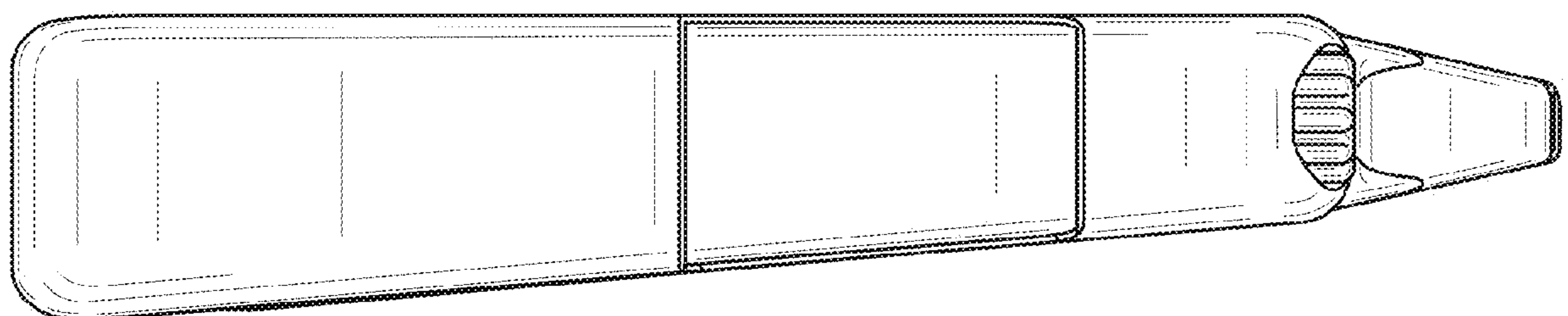


FIG. 15

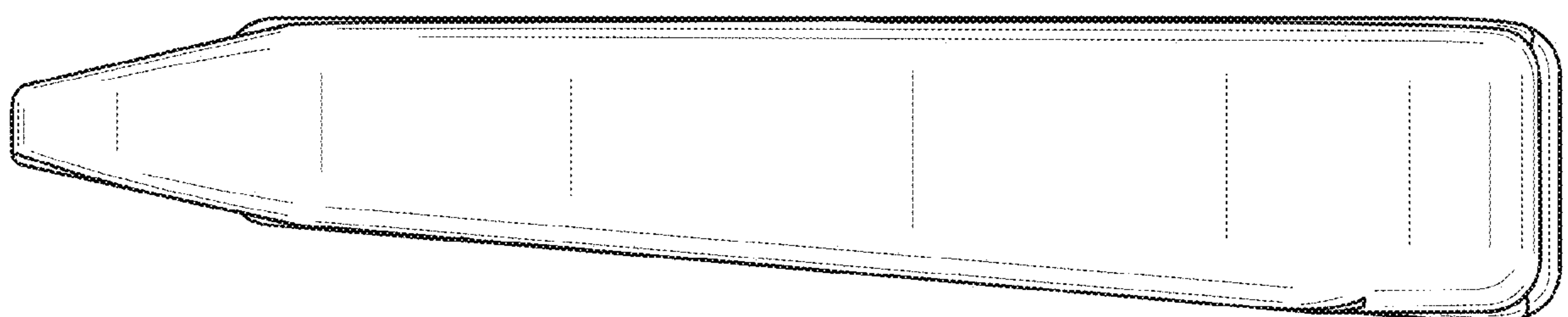


FIG. 16