



US00D973950S

(12) **United States Design Patent** (10) **Patent No.:** **US D973,950 S**
Kuchen et al. (45) **Date of Patent:** **** *Dec. 27, 2022**

(54) **HANDHELD AEROSOL GENERATOR**

(56) **References Cited**

(71) Applicant: **PHILIP MORRIS PRODUCTS S.A.**,
Neuchatel (CH)

U.S. PATENT DOCUMENTS

(72) Inventors: **David Kuchen**, Vallamand-Dessous
(CH); **Frederic Lavanchy**, Chavornay
(CH); **Stephane Roudier**, Colombier
(CH)

D613,902 S	4/2010	Kaljura	
D652,987 S *	1/2012	Kaljura	D27/101
D685,522 S *	7/2013	Potter	D27/101
D728,154 S *	4/2015	Lavanchy	D27/101
D739,597 S *	9/2015	Lavanchy	D27/101
D750,834 S *	3/2016	Wei	D27/101
D750,835 S *	3/2016	Wei	D27/101
D758,650 S *	6/2016	Wu	D27/101

(73) Assignee: **PHILIP MORRIS PRODUCTS S.A.**,
Neuchatel (CH)

(Continued)

(*) Notice: This patent is subject to a terminal disclaimer.

OTHER PUBLICATIONS

(**) Term: **15 Years**

E-Cigarette Disposable Kit By: Hangsen found on line (Feb. 9, 2022) <https://hangsen.en.made-in-china.com/product/WMgnbGzCnsrj/China-Hangsen-510-Rechargeable-E-Cigarette-Disposable-Kit.html> (Dec. 21, 2021).*

(21) Appl. No.: **29/671,749**

(Continued)

(22) Filed: **Nov. 29, 2018**

Primary Examiner — Rebecca Tsehaye
(74) *Attorney, Agent, or Firm* — Oblon, McClelland,
Maier & Neustadt, L.L.P.

Related U.S. Application Data

(62) Division of application No. 35/503,721, filed on Mar. 27, 2017 (U.S. filing date under 35 U.S.C. 384), and having an international filing date of Mar. 27, 2017, now Pat. No. Des. 870,366.

Foreign Application Priority Data

Sep. 28, 2016 (EM) 003398668-0001
Sep. 28, 2016 (EM) 003398668-0002
Sep. 28, 2016 (EM) 003398668-0003

(57) **CLAIM**

The ornamental design for a handheld aerosol generator, as shown and described.

(51) **LOC (13) Cl.** **27-02**

DESCRIPTION

(52) **U.S. Cl.**
USPC **D27/162**

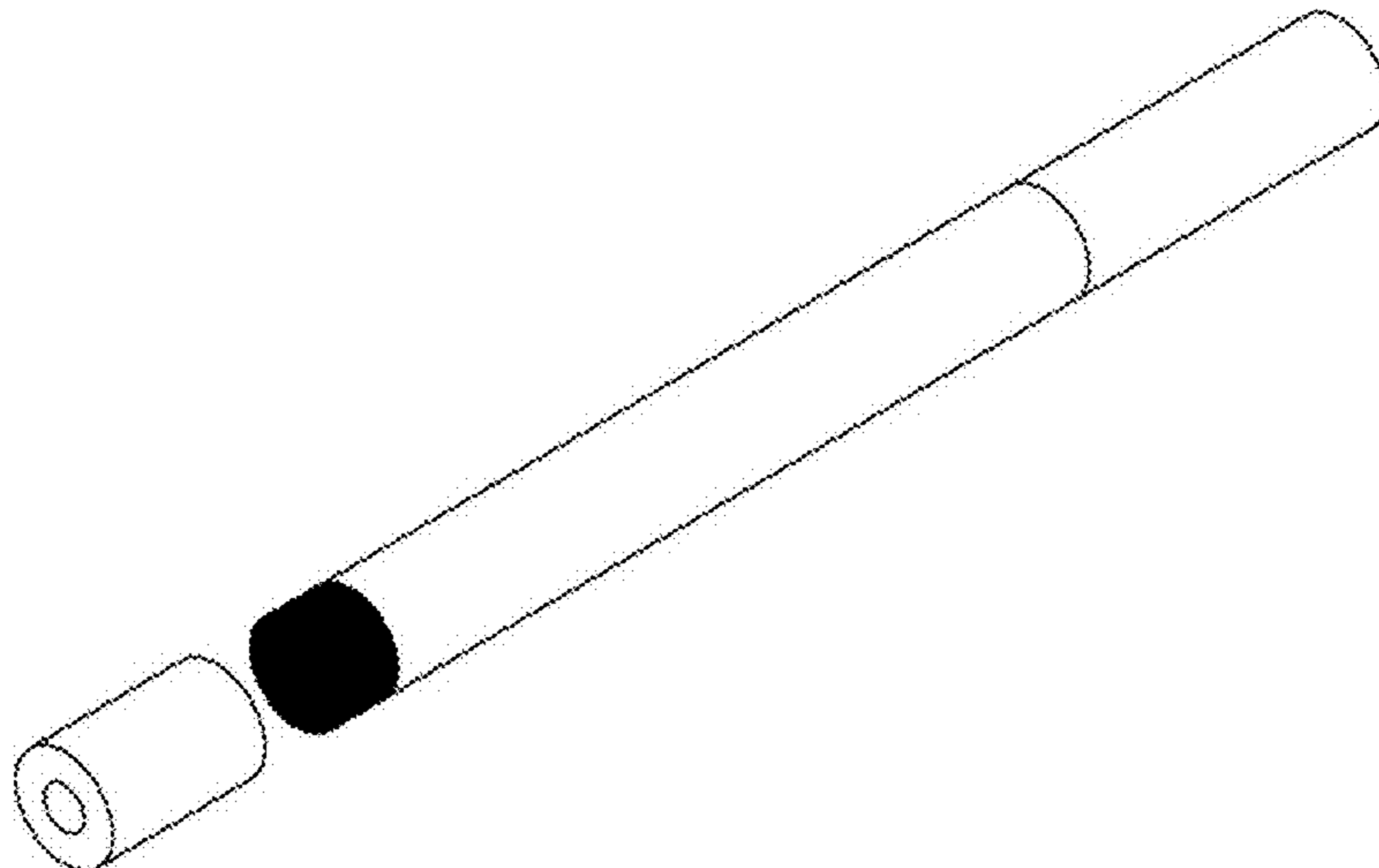
FIG. 1 is an exploded front, top, and left side perspective view of the handheld aerosol generator thereof;
FIG. 2 is an exploded front elevational view thereof;
FIG. 3 is an exploded rear devotional view thereof;
FIG. 4 is a right side elevational view thereof;
FIG. 5 is a left side elevational view thereof;
FIG. 6 is an exploded top view thereof; and,
FIG. 7 is an exploded bottom view thereof.

(58) **Field of Classification Search**
USPC D27/162, 100, 101, 163–167, 169, 170,
D27/172, 183, 185–192, 194; D24/110,
D24/110.5, 113

CPC A24F 7/00; A24F 7/02; A24F 7/04; A24F
47/008; A24F 47/006; A24F 47/002;
A24F 47/004; A61M 15/00; A61M 15/06

See application file for complete search history.

1 Claim, 7 Drawing Sheets



(56)

References Cited

U.S. PATENT DOCUMENTS

D770,086	S *	10/2016	Tucker	D27/101
D797,369	S *	9/2017	Yamada	D27/101
D802,207	S *	11/2017	Bramley	D27/170
D803,475	S *	11/2017	Scheiber	D27/101
D819,264	S *	5/2018	Mykhaylovych	D27/101
D821,028	S *	6/2018	Tucker	D27/101
D825,835	S *	8/2018	Verleur	D27/101
D827,920	S *	9/2018	Fornarelli	D27/101
D834,743	S *	11/2018	Tucker	D27/101
D857,983	S *	8/2019	Bramley	D27/101
D870,366	S *	12/2019	Lavanchy	A24F 7/00
					D27/101
D884,268	S *	5/2020	Deng	D27/162
D897,594	S *	9/2020	Tucker	D27/101
D919,173	S *	5/2021	Li	D27/162
11,200,770	B2 *	12/2021	Hubbard	A61M 11/042
2011/0120455	A1 *	5/2011	Murphy	A61M 15/0091
					128/200.18
2011/0232654	A1 *	9/2011	Mass	A24F 40/42
					131/273

OTHER PUBLICATIONS

Combined Taiwanese Office Action and Search Report dated Feb. 1, 2018 in Taiwanese Patent Application No. 106301635 (with English translation), 3 pages.

Combined Taiwanese Office Action and Search Report dated Feb. 1, 2018 in Taiwanese Patent Application No. 106301633 (with English translation of the Search Report), 4 pages.

* cited by examiner

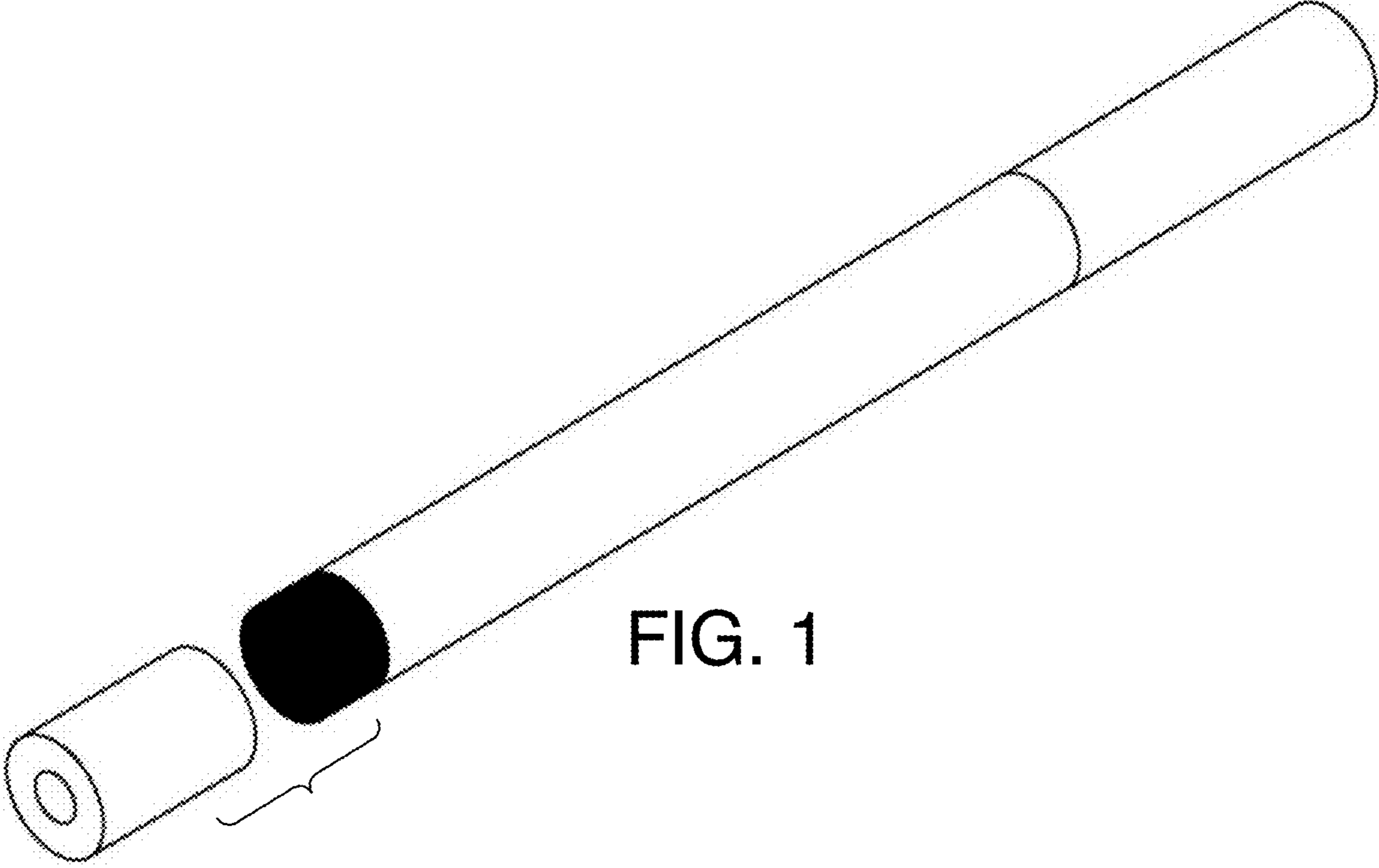


FIG. 1

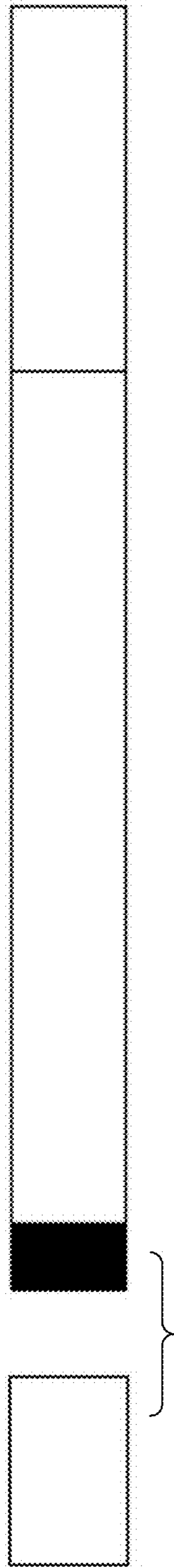


FIG. 2

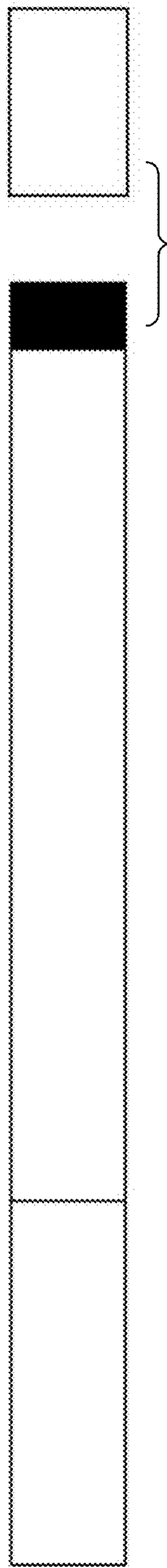


FIG. 3

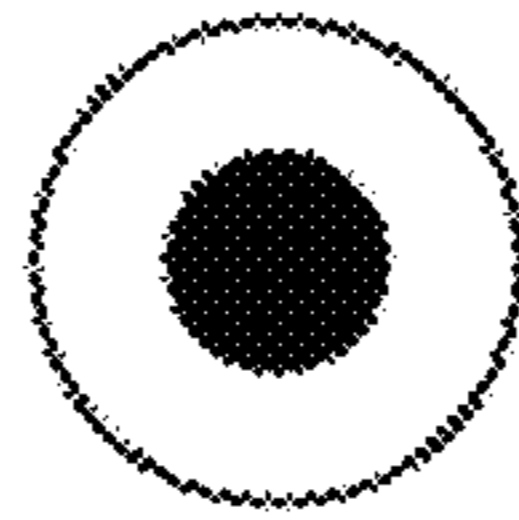


FIG. 4

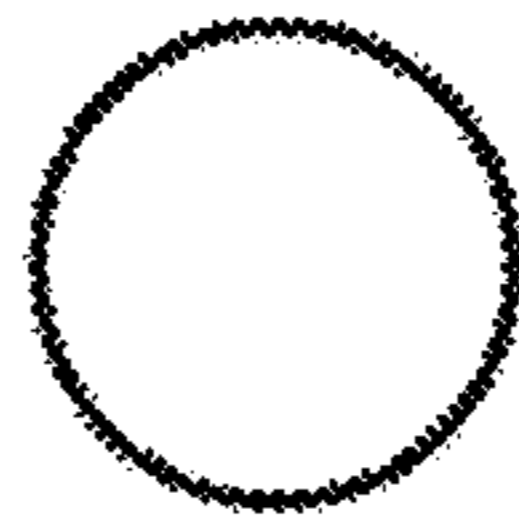


FIG. 5

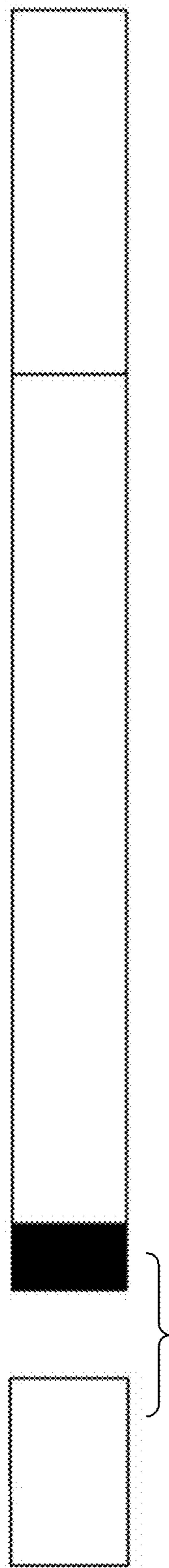


FIG. 6

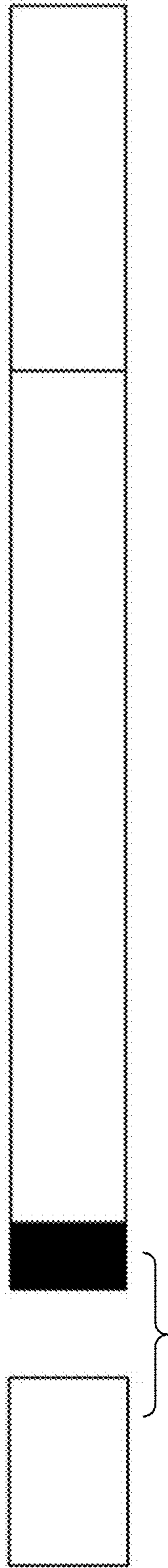


FIG. 7