



US00D973948S

(12) **United States Design Patent** (10) **Patent No.:** **US D973,948 S**
Homic (45) **Date of Patent:** **** *Dec. 27, 2022**

- (54) **DOCK LIGHT**
- (71) Applicant: **Craig A. Homic**, Cape Coral, FL (US)
- (72) Inventor: **Craig A. Homic**, Cape Coral, FL (US)
- (*) Notice: This patent is subject to a terminal disclaimer.
- (**) Term: **15 Years**
- (21) Appl. No.: **29/733,366**
- (22) Filed: **May 1, 2020**
- (51) **LOC (13) Cl.** **26-05**
- (52) **U.S. Cl.**
USPC **D26/110**
- (58) **Field of Classification Search**
USPC ... D26/7, 14, 18, 19, 22, 40, 51, 93, 94, 97,
D26/98, 101, 104, 110, 135; D21/398,
D21/424, 496, 498, 541, 610, 633;
D20/12; D18/24
CPC F21S 6/00; F21S 6/002; F21S 6/003; F21S
6/004; F21S 6/005; F21S 6/006; F21S
6/007; F21S 6/008; F21S 9/00; F21L 4/00
See application file for complete search history.

(56) **References Cited**

U.S. PATENT DOCUMENTS

D311,964 S	*	11/1990	Wan	D26/40
5,782,552 A		7/1998	Green et al.		
D503,006 S	*	3/2005	May	D26/40
D614,800 S	*	4/2010	Barbeau	D26/97
D619,295 S	*	7/2010	Lee	D26/104

D625,039 S	*	10/2010	Citterio	D26/110
D670,853 S	*	11/2012	Yang	D26/104
8,757,847 B2		6/2014	Seff et al.		
D733,956 S	*	7/2015	Ellis	D26/110
D741,536 S	*	10/2015	Ellis	D26/110
D780,368 S	*	2/2017	Smith	D26/105
D781,478 S	*	3/2017	Smith	D26/105
D790,108 S	*	6/2017	Starck	D26/110
D790,748 S	*	6/2017	Starck	D26/110
9,739,463 B1		8/2017	Brookins		
D803,463 S	*	11/2017	Couckhuyt	D26/110
2012/0020061 A1		1/2012	Schefers et al.		
2014/0071681 A1		3/2014	Ghafoori et al.		

* cited by examiner

Primary Examiner — Wan Laymon
Assistant Examiner — Clint A Samuel

(57) **CLAIM**

The ornamental design for a dock light, as shown and described.

DESCRIPTION

FIG. 1 is a top perspective view of the dock light showing my new design;
 FIG. 2 is a front view of the dock light, the rear view being a mirror image;
 FIG. 3 is a right view of the dock light, the left view being a mirror image;
 FIG. 4 is a top view of the dock light;
 FIG. 5 is a cross sectional view of the dock light along lines 5-5 of FIG. 2; and,
 FIG. 6 is a bottom view of the dock light.

1 Claim, 5 Drawing Sheets

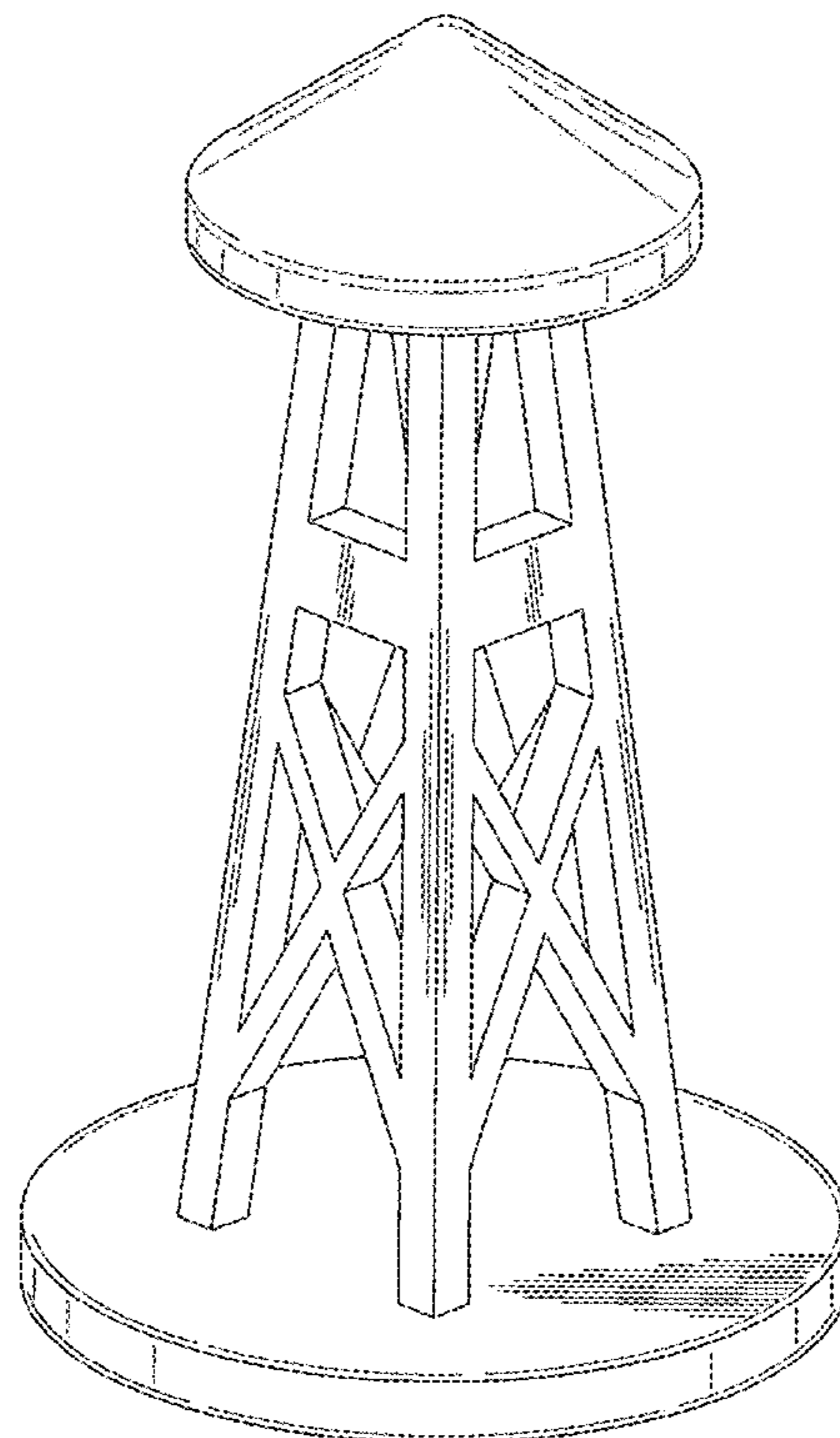


FIG. 1

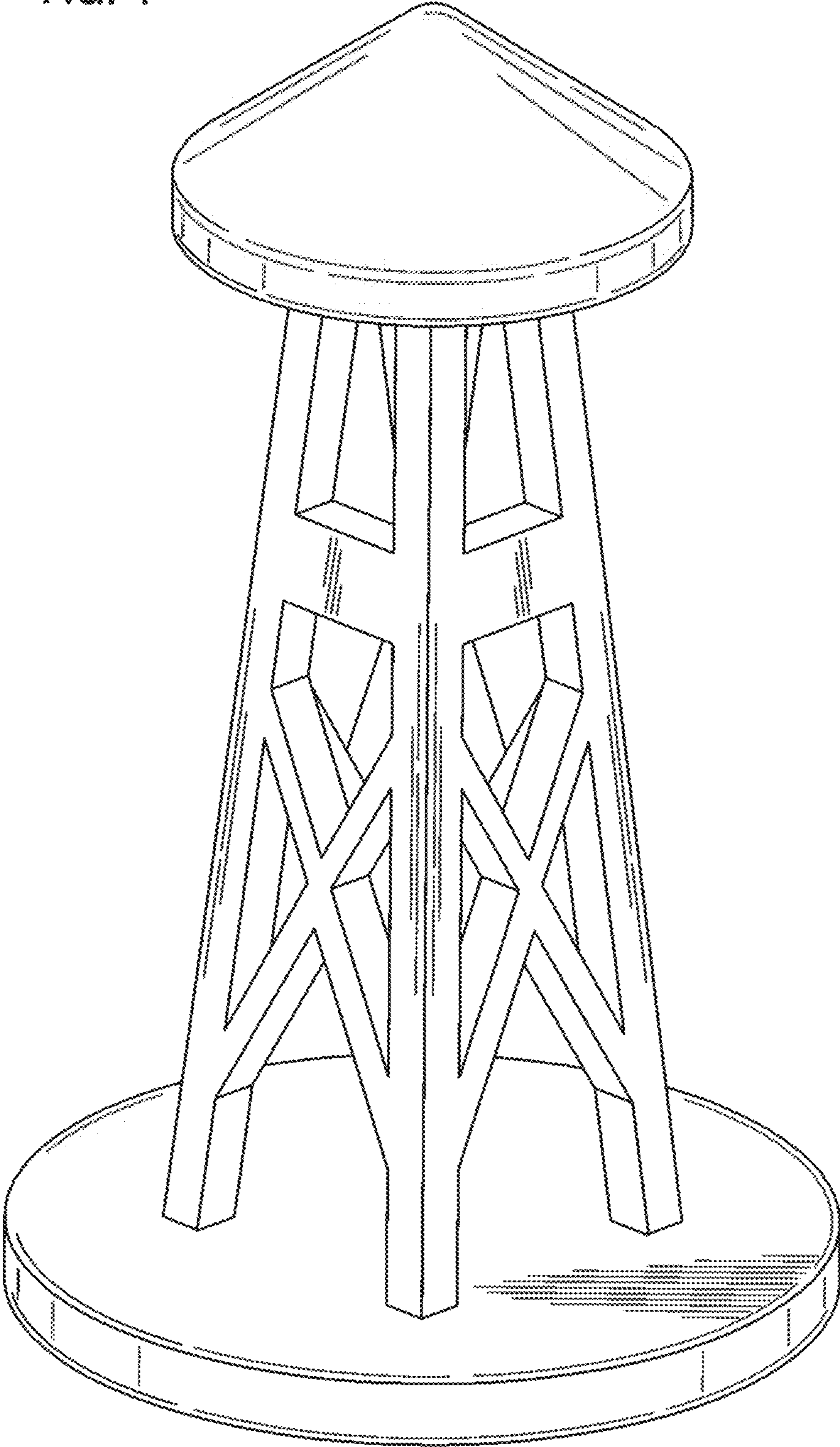


FIG. 2

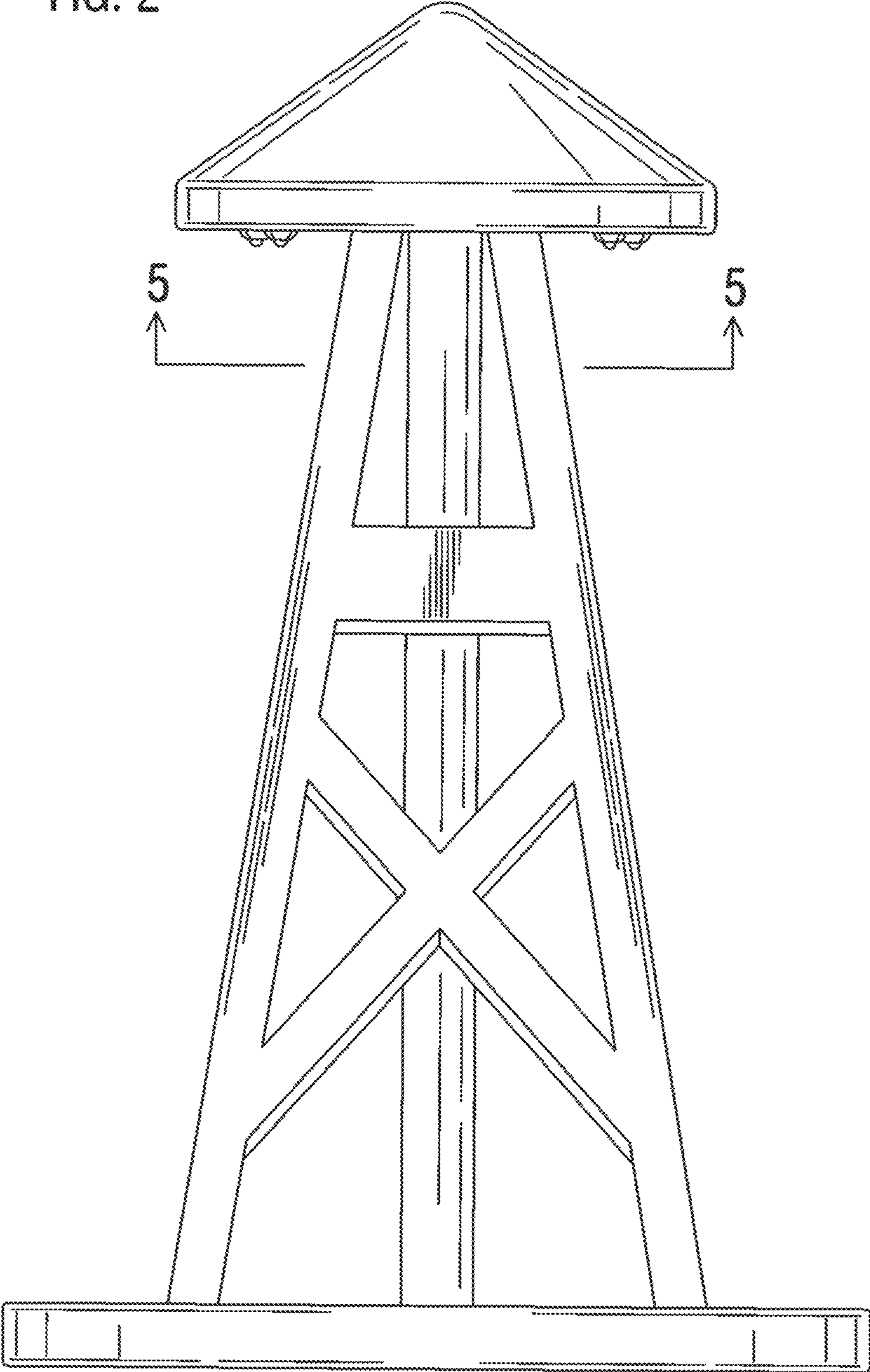


FIG. 3

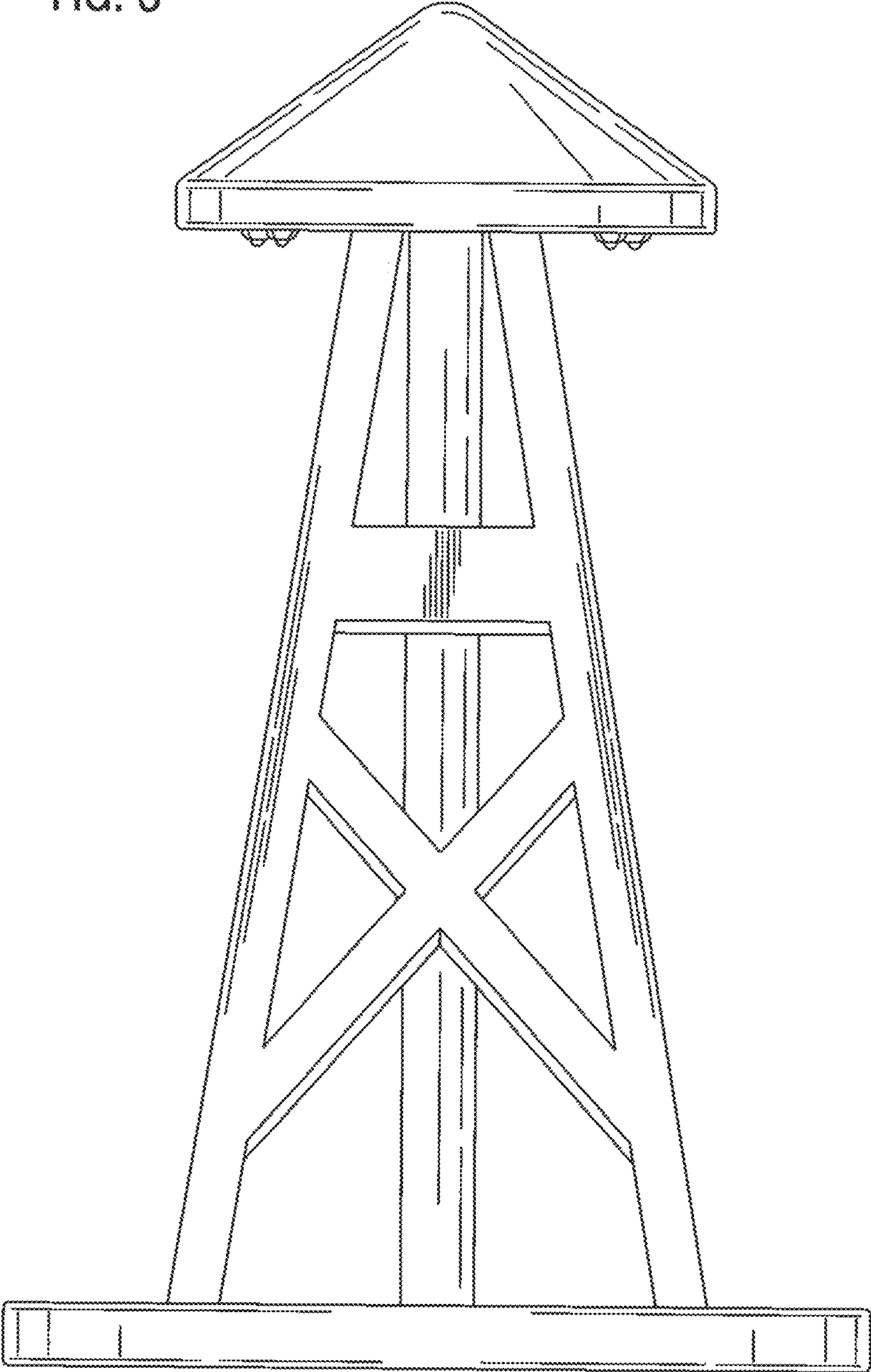


FIG. 4

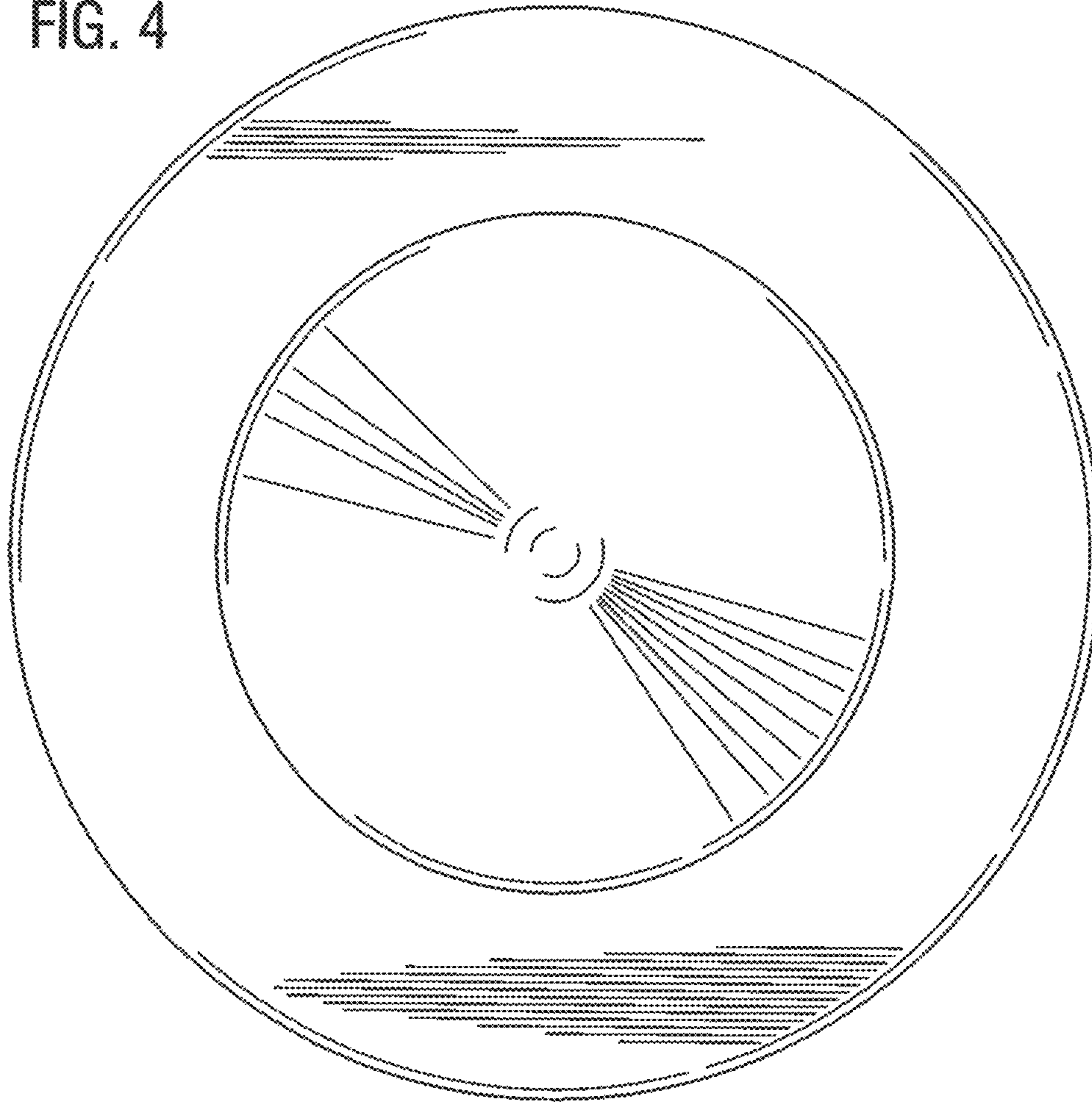


FIG. 5

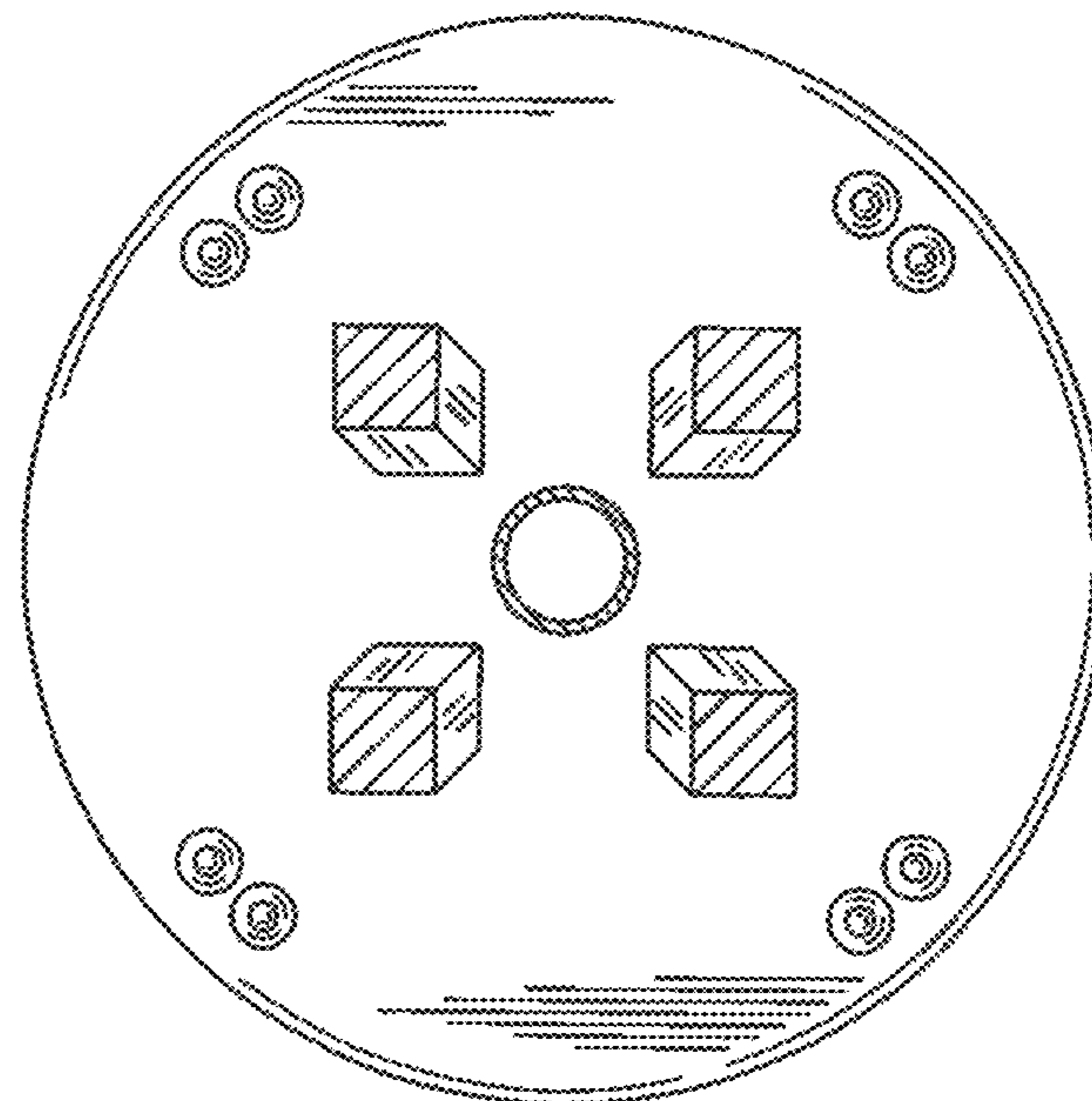


FIG. 6

