



US00D973945S

(12) **United States Design Patent** (10) **Patent No.:** **US D973,945 S**  
**Tan** (45) **Date of Patent:** **\*\* Dec. 27, 2022**

- (54) **LIGHTING FIXTURE**
- (71) Applicant: **Changzheng Tan**, Tallahassee, FL (US)
- (72) Inventor: **Changzheng Tan**, Tallahassee, FL (US)
- (73) Assignee: **Lonni, Inc.**, Tallahassee, FL (US)
- (\*\*) Term: **15 Years**
- (21) Appl. No.: **29/804,225**
- (22) Filed: **Aug. 19, 2021**
- (51) **LOC (13) Cl.** ..... **26-03**
- (52) **U.S. Cl.**  
USPC ..... **D26/86; D26/88**
- (58) **Field of Classification Search**  
USPC ..... D26/80-86, 88-91, 72, 118, 143, 144  
CPC .... F21S 8/043; F21S 8/046; F21S 8/06; F21S  
8/061; F21S 8/063; F21S 8/065; F21S  
8/068  
  
See application file for complete search history.

D871,655 S \* 12/2019 Nadell ..... D26/118  
D905,328 S \* 12/2020 Velez ..... D26/88  
2019/0390828 A1\* 12/2019 Kotovsky ..... F21V 13/04

**OTHER PUBLICATIONS**

Badiah 1—Light Single Cylinder Pendant by Mercer41, SKU: W006312988. Available from wayfair.com as early as Mar. 5, 2022. (Year: 2022).\*

Jozalyn 1—Light Kitchen Island Empire Pendant by Everly Quinn, SKU: W007443980. Available from wayfair.com, visited Sep. 7, 2022. (Year: 2022).\*

Elk Lighting 31486/1 Cynthia Collection 1 Light Mini Pendant, ASIN: B00KYBQSBK. Available from amazon.com Nov. 1, 2011. (Year: 2011).\*

Currey and Company Daze Round 15-Light Multi-Drop Pendant, SKU: CY90000891. Available from smithe.com, visited Sep. 7, 2022. (Year: 2022).\*

\* cited by examiner

*Primary Examiner* — Clare E Heflin

(57) **CLAIM**

The ornamental design for a lighting fixture, as shown and described.

**DESCRIPTION**

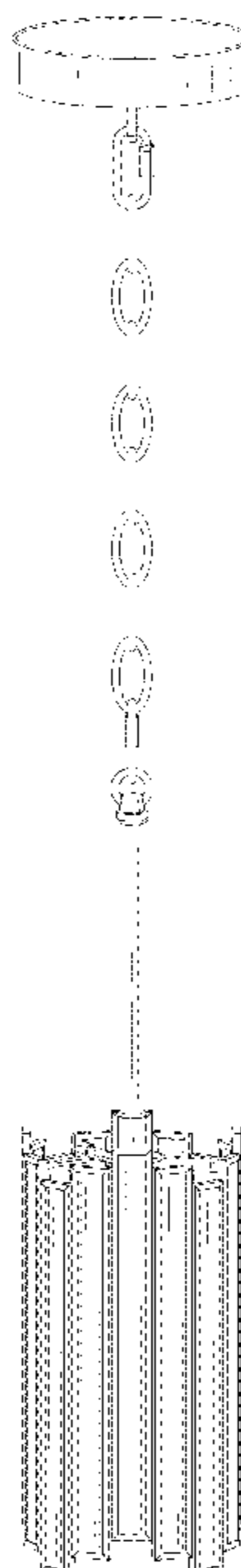
FIG. 1 is a front and top perspective view of a lighting fixture showing my new design;  
FIG. 2 is a front elevational view thereof;  
FIG. 3 is a rear elevational view thereof;  
FIG. 4 is a left side elevational view thereof;  
FIG. 5 is a right side elevational view thereof;  
FIG. 6 is a top plan view thereof; and,  
FIG. 7 is a bottom plan view thereof.  
The broken lines on the drawings depict portions of the Lighting Fixture that form no part of the claimed design.

**1 Claim, 7 Drawing Sheets**

(56) **References Cited**

**U.S. PATENT DOCUMENTS**

D79,530 S *	10/1929	Rosenblatt	.....	D26/91
D80,494 S *	2/1930	Rosenblatt	.....	D26/91
D80,638 S *	3/1930	Rosenblatt	.....	D26/81
3,212,713 A *	10/1965	Chatten	.....	B05B 17/08
				D26/81
D241,066 S *	8/1976	Schacht	.....	D26/81
D304,863 S *	11/1989	Ohai	.....	D26/85
D326,732 S *	6/1992	Segill	.....	D26/91
D445,529 S *	7/2001	Orozco	.....	D26/86
D760,420 S	6/2016	Tomlinson		
D770,662 S	11/2016	Nicholas		
D804,702 S *	12/2017	Miller	.....	D26/88
D859,721 S *	9/2019	Velez	.....	D26/88



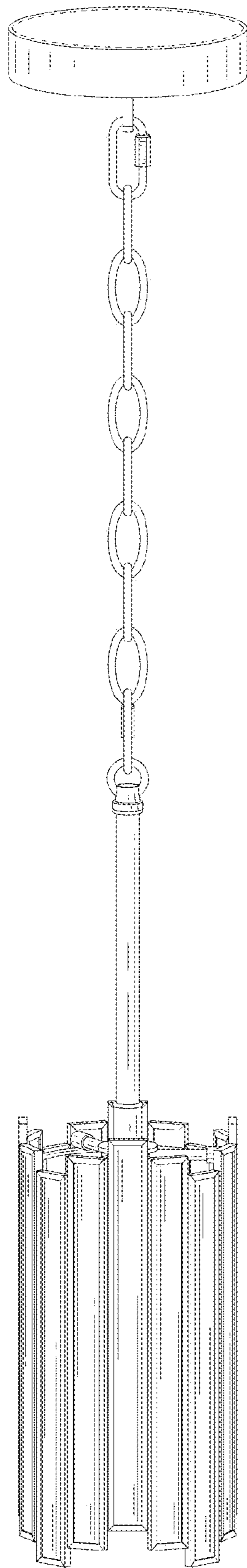


FIG. 1

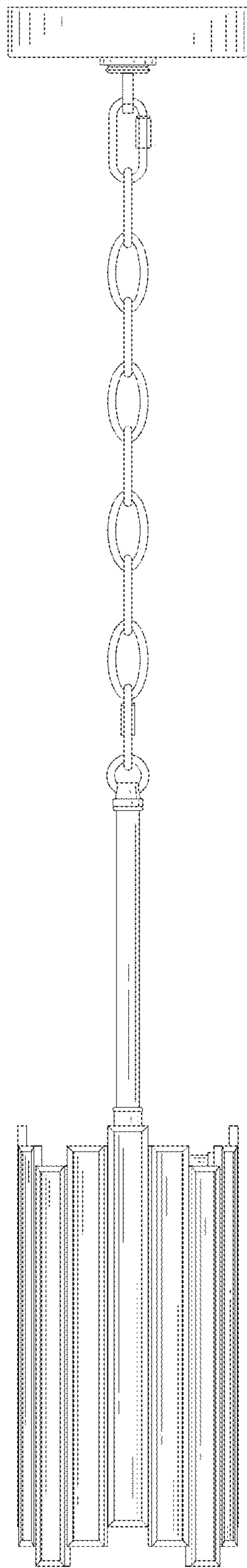


FIG. 2

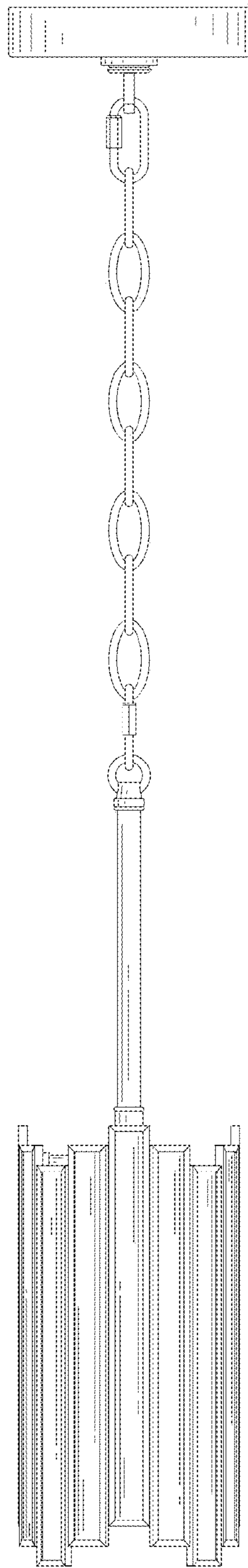


FIG. 3

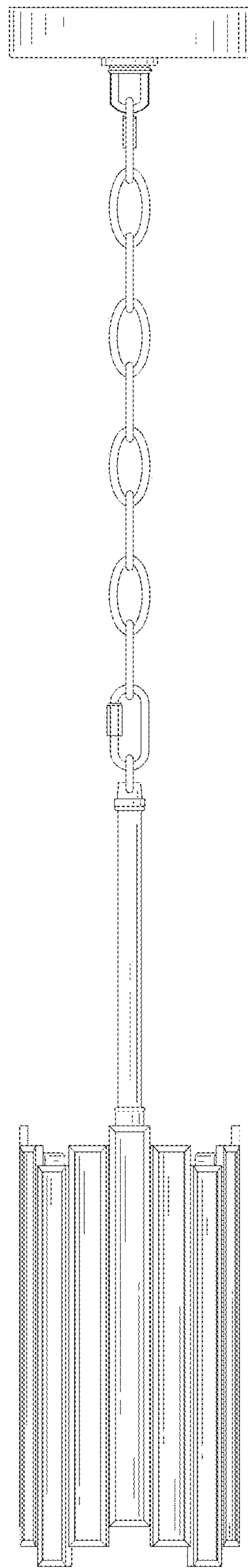


FIG. 4

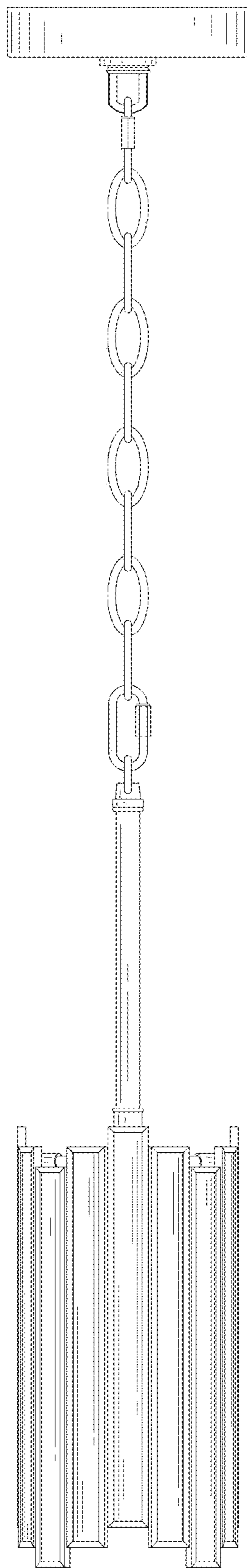


FIG. 5

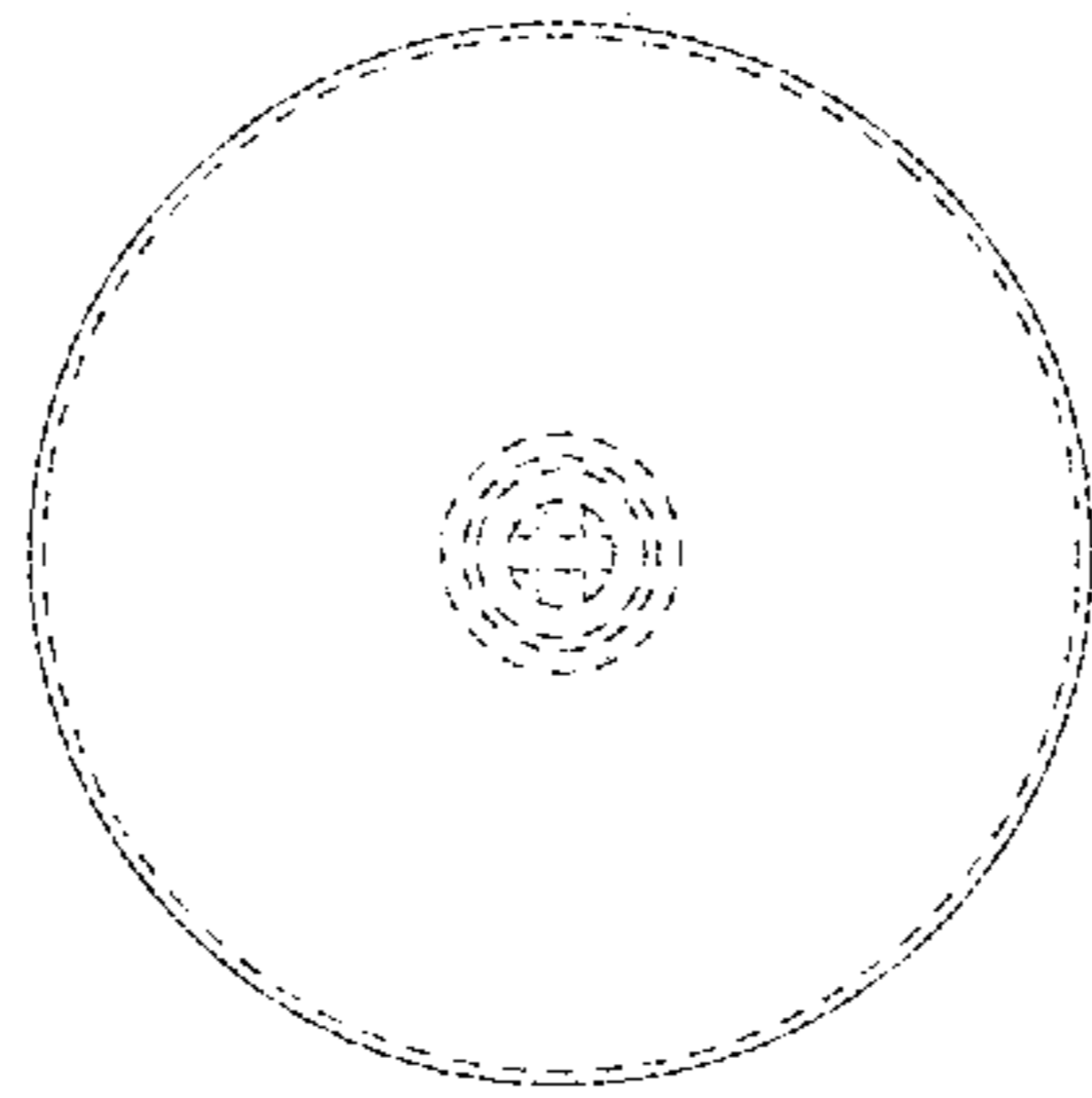


FIG. 6

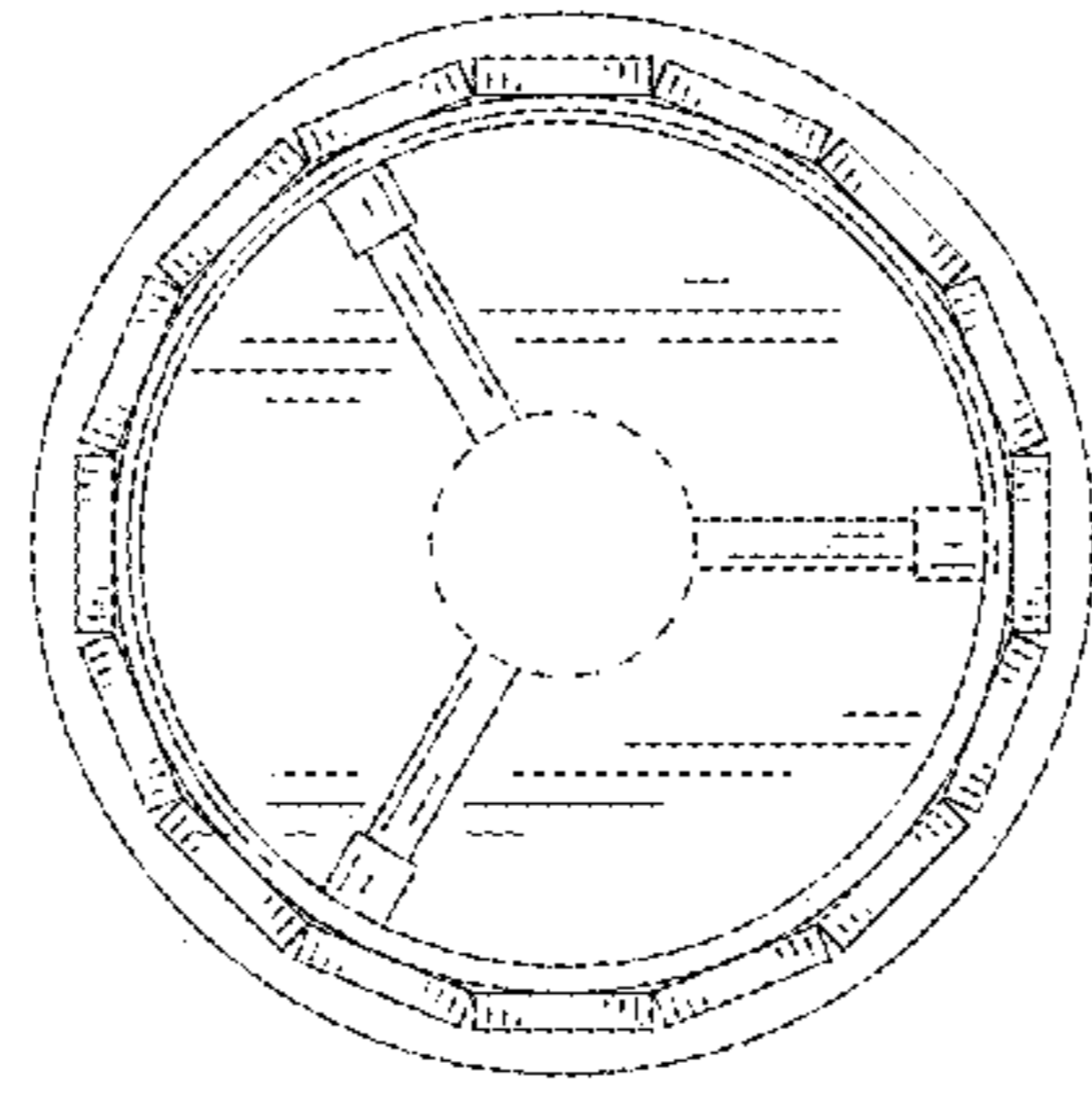


FIG. 7