



US00D973944S

(12) **United States Design Patent** (10) **Patent No.:** **US D973,944 S**  
**Lu** (45) **Date of Patent:** **\*\* Dec. 27, 2022**

(54) **SOLAR LIGHT**

(71) Applicant: **ZHONGSHAN YUSEN LIGHTING TECHNOLOGY CO., LTD.**,  
Zhongshan (CN)

(72) Inventor: **Jianquan Lu**, Baise (CN)

(73) Assignee: **ZHONGSHAN YUSEN LIGHTING TECHNOLOGY CO., LTD.**,  
Zhongshan (CN)

(\*\*) Term: **15 Years**

(21) Appl. No.: **29/811,224**

(22) Filed: **Oct. 12, 2021**

(30) **Foreign Application Priority Data**

Aug. 28, 2021 (CN) ..... 202130565363.0

(51) **LOC (13) Cl.** ..... **26-03**

(52) **U.S. Cl.**  
USPC ..... **D26/85**

(58) **Field of Classification Search**  
USPC ..... D26/72, 85  
CPC .... F21S 8/03; F21S 8/033; F21S 8/036; F21S  
8/037; F21S 9/022; F21S 9/024; F21S  
9/03; F21S 9/035; F21S 9/037; F21W  
2131/107

See application file for complete search history.

(56) **References Cited**

**U.S. PATENT DOCUMENTS**

D109,522 S \* 5/1938 Perkins ..... D34/1  
D257,568 S \* 11/1980 Ream ..... D26/26  
D394,518 S \* 5/1998 Burrow ..... D26/85  
D408,576 S \* 4/1999 Crosby ..... D26/85  
D567,426 S \* 4/2008 Chiu ..... D26/85  
D799,737 S 10/2017 Li et al.  
D844,213 S \* 3/2019 Liu ..... D26/85

D861,226 S \* 9/2019 Liu ..... D26/85  
D865,264 S \* 10/2019 Wu ..... D26/85  
D889,018 S \* 6/2020 Liu ..... D26/85  
D908,253 S 1/2021 Hollinger  
D937,467 S \* 11/2021 Chen ..... D26/85  
D945,682 S \* 3/2022 Liu ..... D26/85  
2017/0321877 A1 \* 11/2017 Polidoro ..... A61L 9/20

**OTHER PUBLICATIONS**

DENICMIC 6 Pack Solar Diamond Fence Lights, ASIN: B09PFWFWX6. Available from amazon.com Jan. 1, 2022. (Year: 2022).\*

VISFLAIR Diamond Shaped Fence Post Lights, ASIN: B09PH416W7. Available from amazon.com Dec. 31, 2021. (Year: 2021).\*

TIJNN Solar Deck Lights, ASIN: B07Z7YL1BW. Available from amazon.com as early as Dec. 27, 2020. (Year: 2020).\*

\* cited by examiner

*Primary Examiner* — Clare E Heflin

(74) *Attorney, Agent, or Firm* — Nitin Kaushik

(57) **CLAIM**

The ornamental design for a solar light, as shown and described.

**DESCRIPTION**

FIG. 1 is a perspective view of a solar light showing my new design;

FIG. 2 is another perspective view thereof;

FIG. 3 is a front elevational view thereof;

FIG. 4 is a rear elevational view thereof;

FIG. 5 is a left side elevational view thereof;

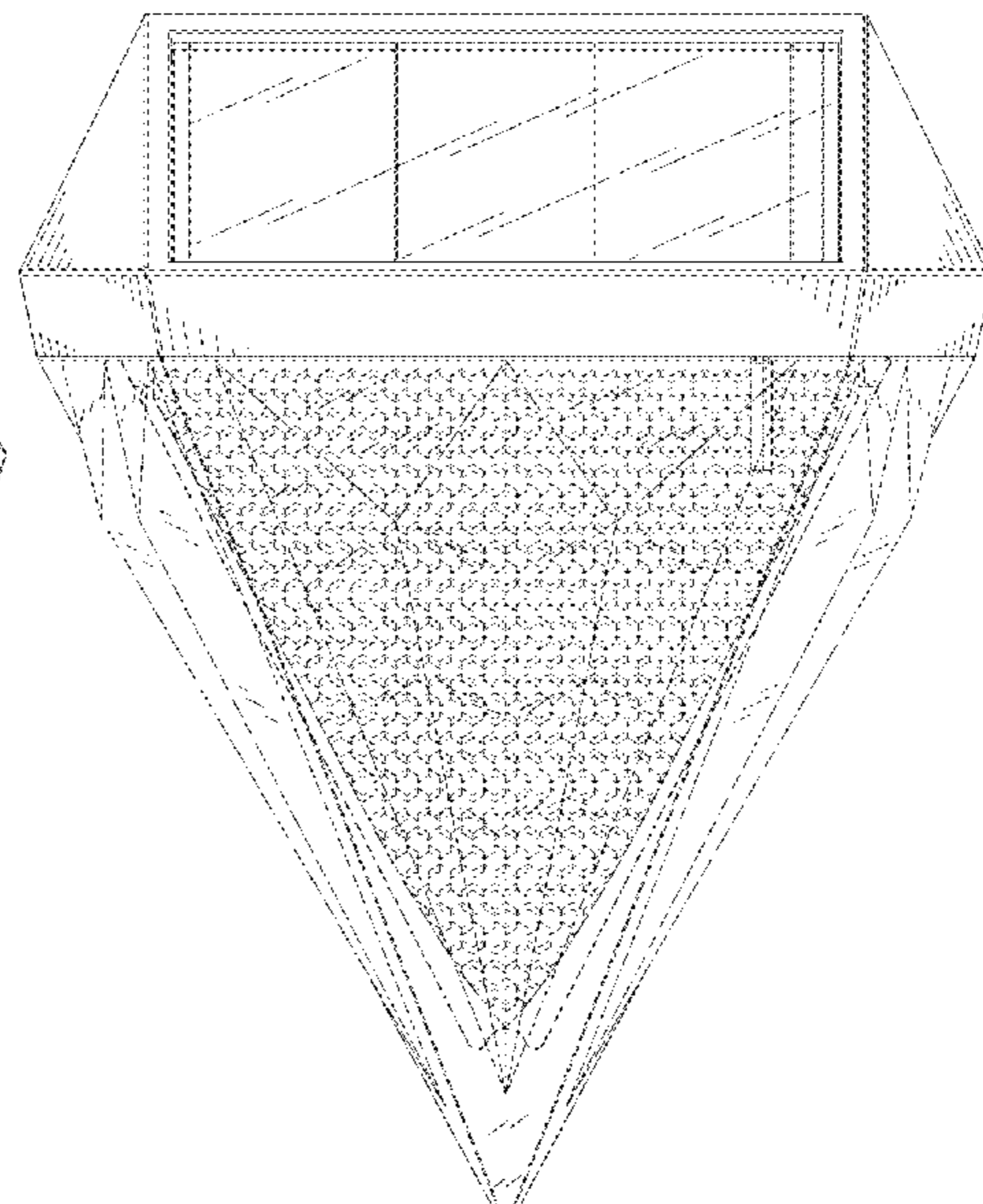
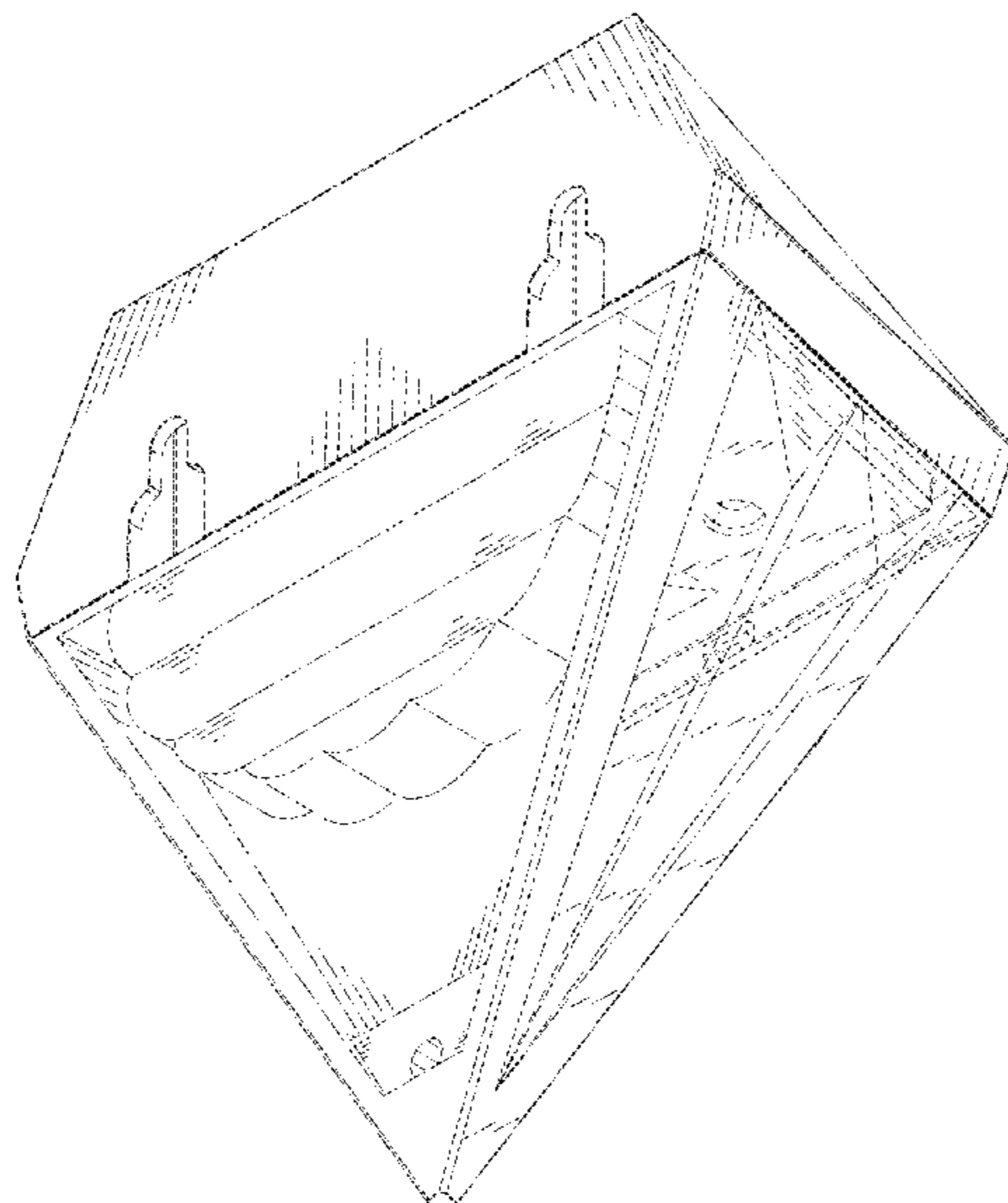
FIG. 6 is a right side elevational view thereof;

FIG. 7 is a top plan view thereof; and,

FIG. 8 is a bottom plan view thereof.

The broken lines in the drawings depict portions of the solar light that form no part of the claimed design.

**1 Claim, 8 Drawing Sheets**



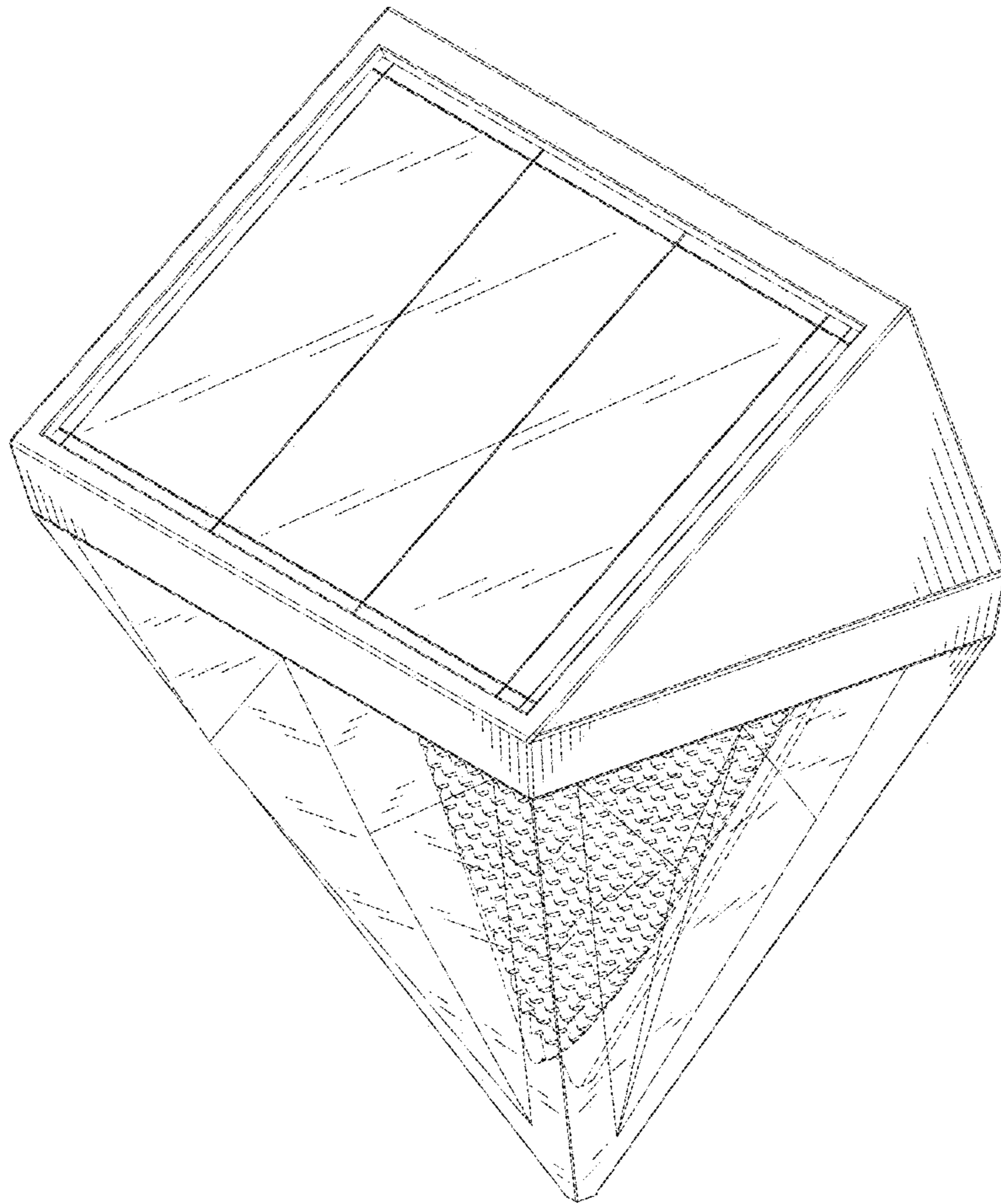


FIG. 1

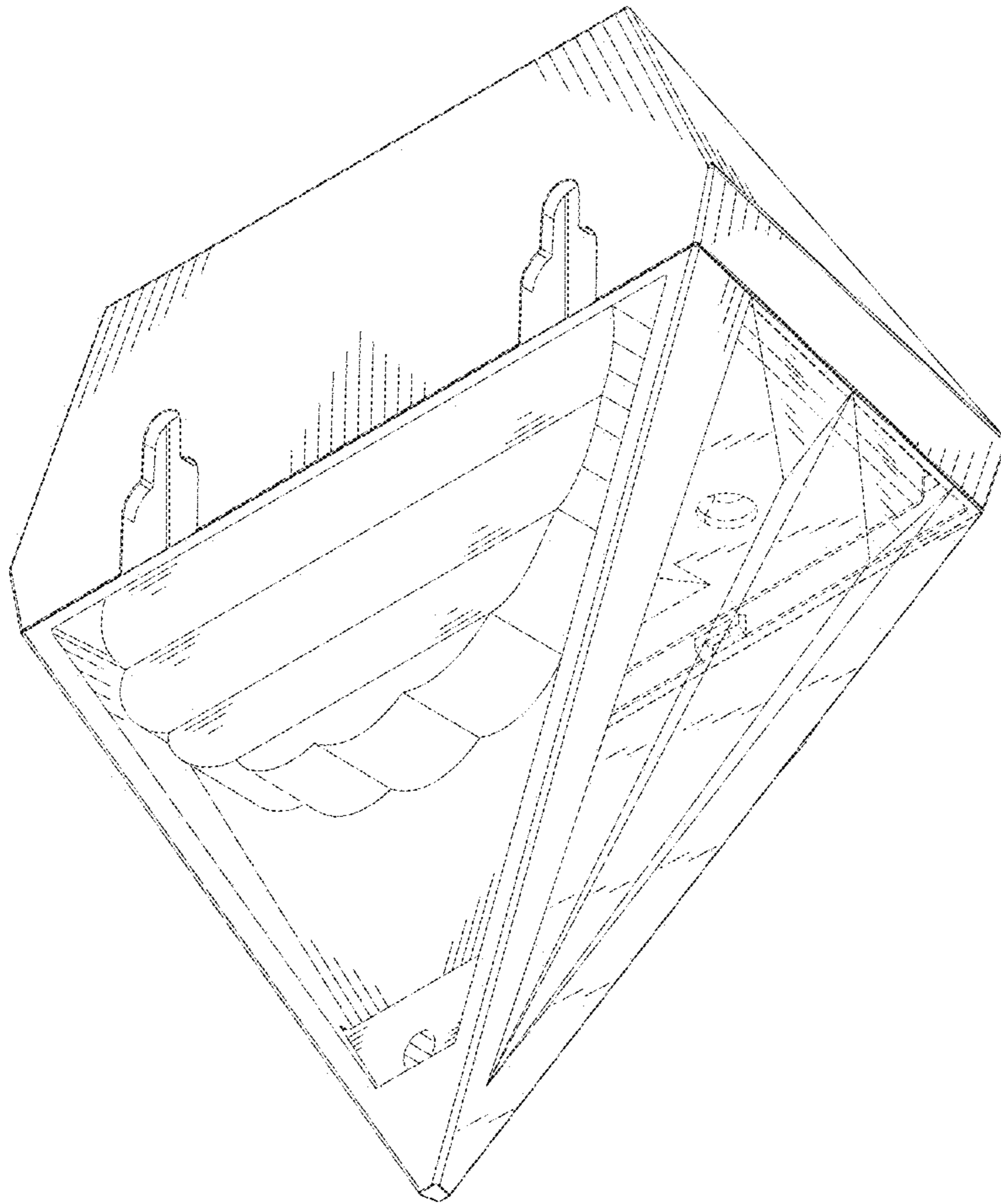


FIG. 2

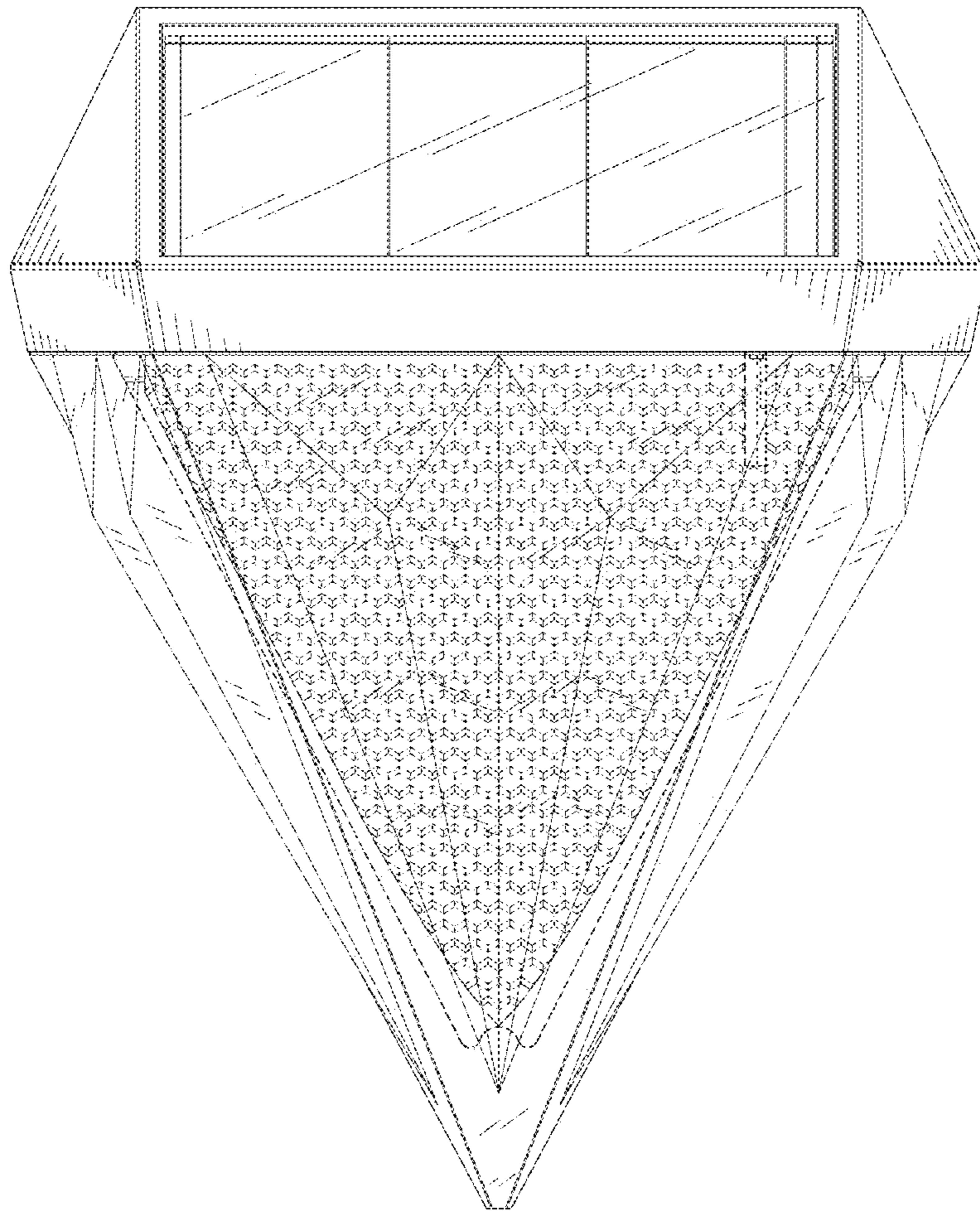


FIG. 3

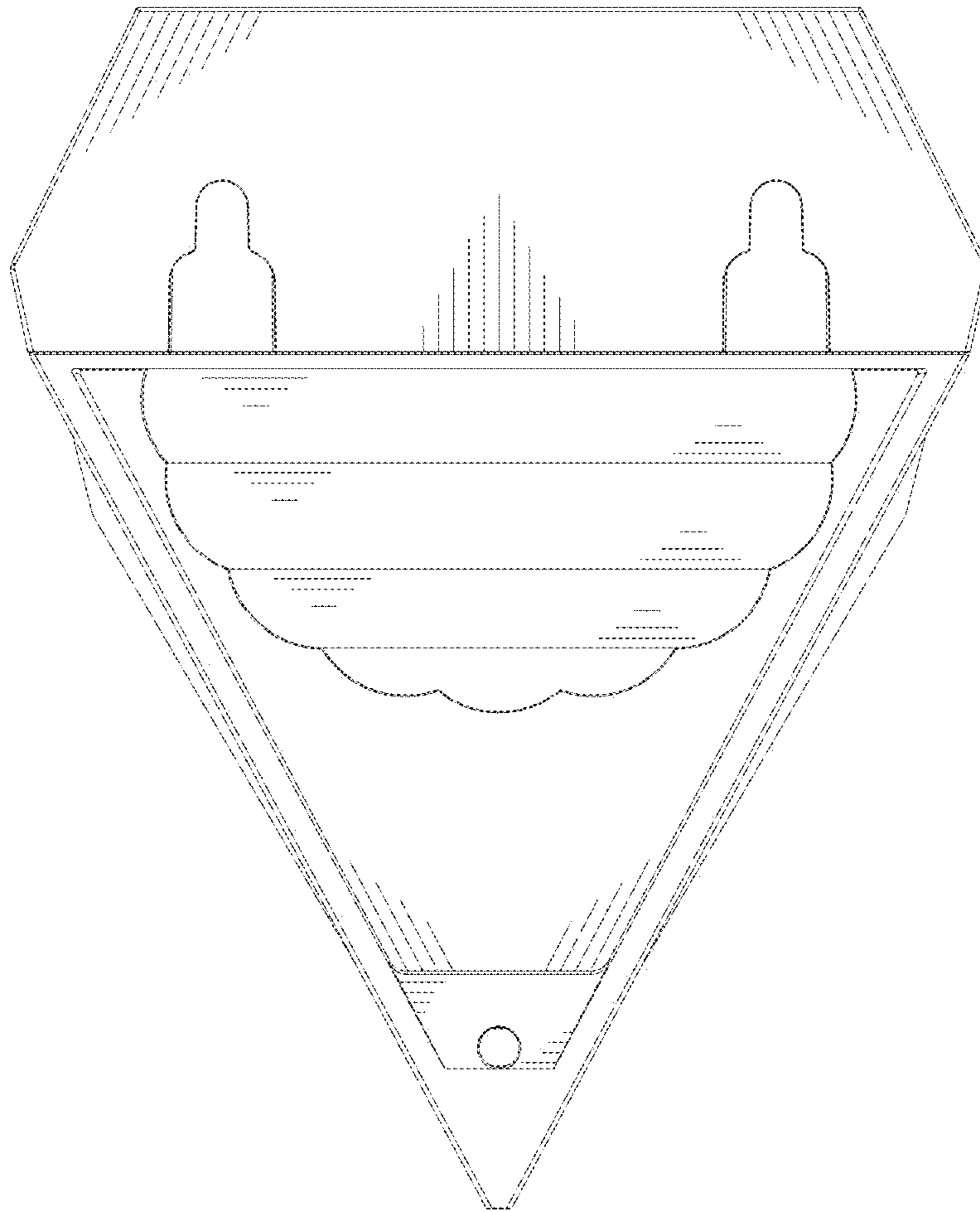


FIG. 4

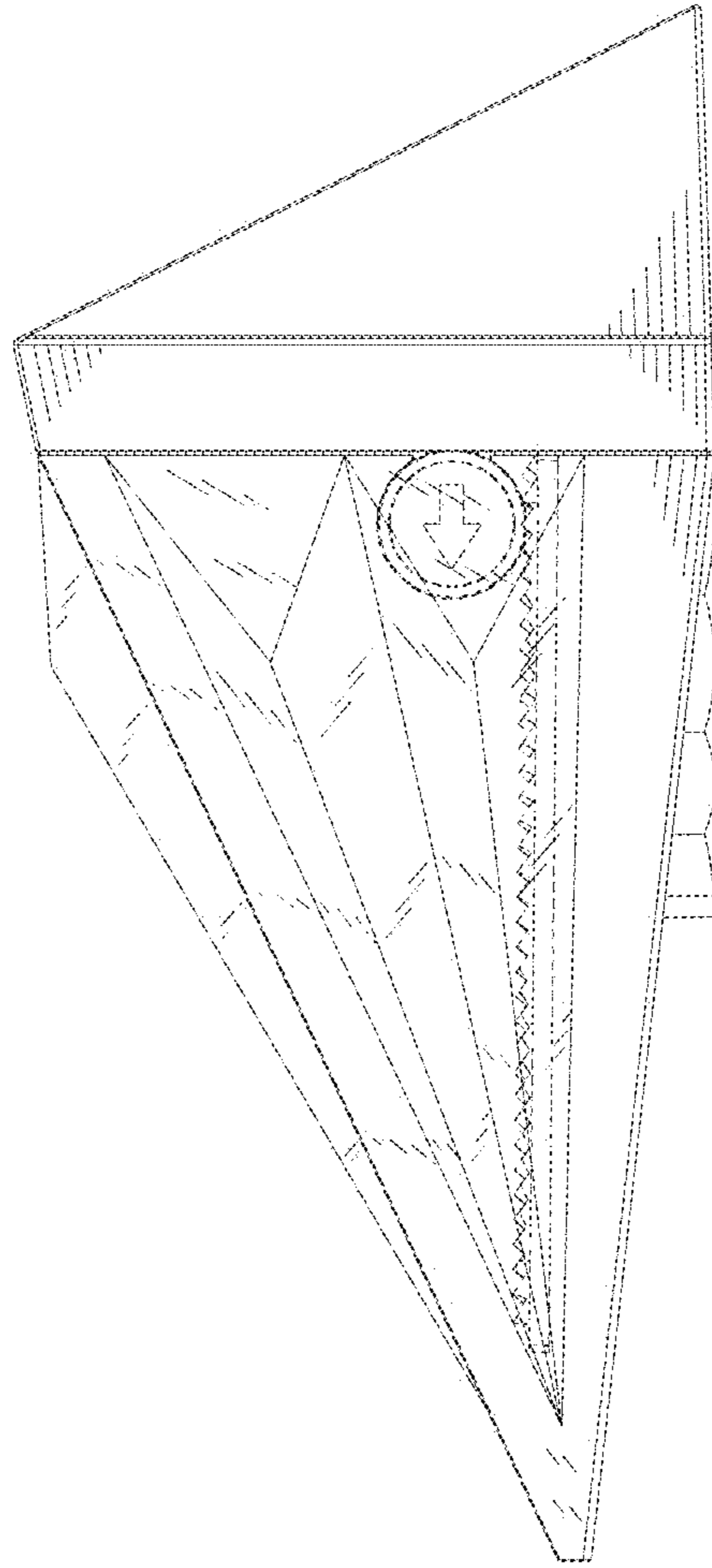


FIG. 5

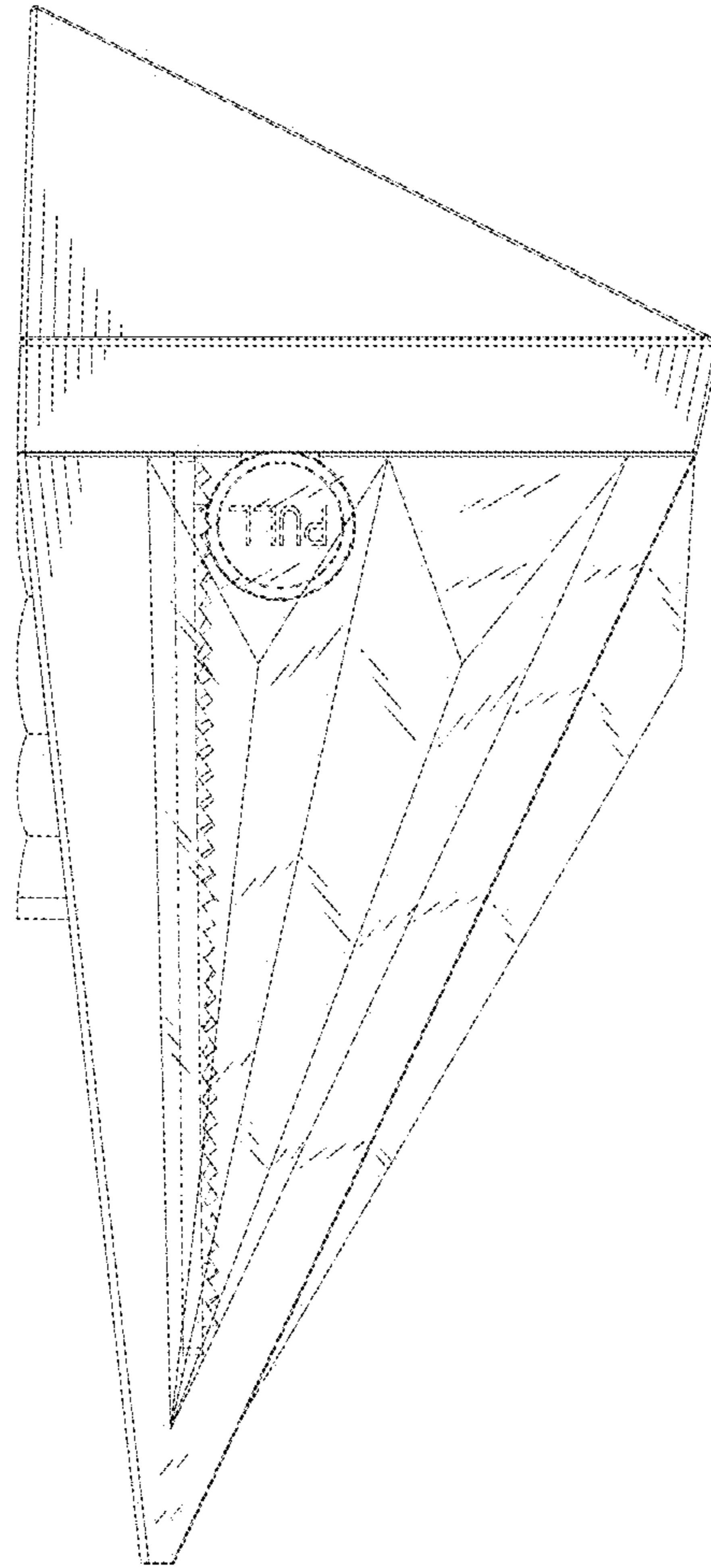


FIG. 6

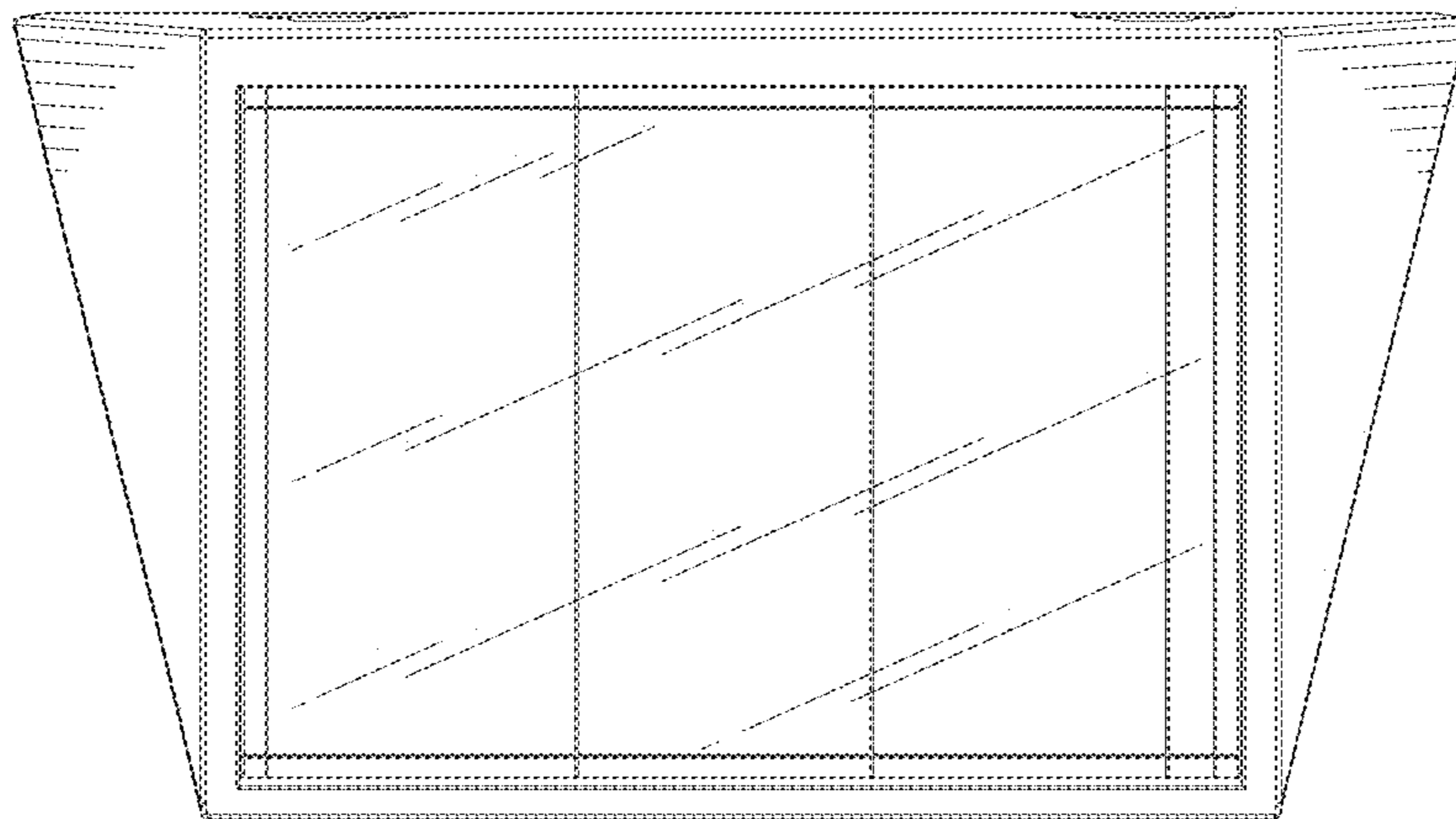


FIG. 7



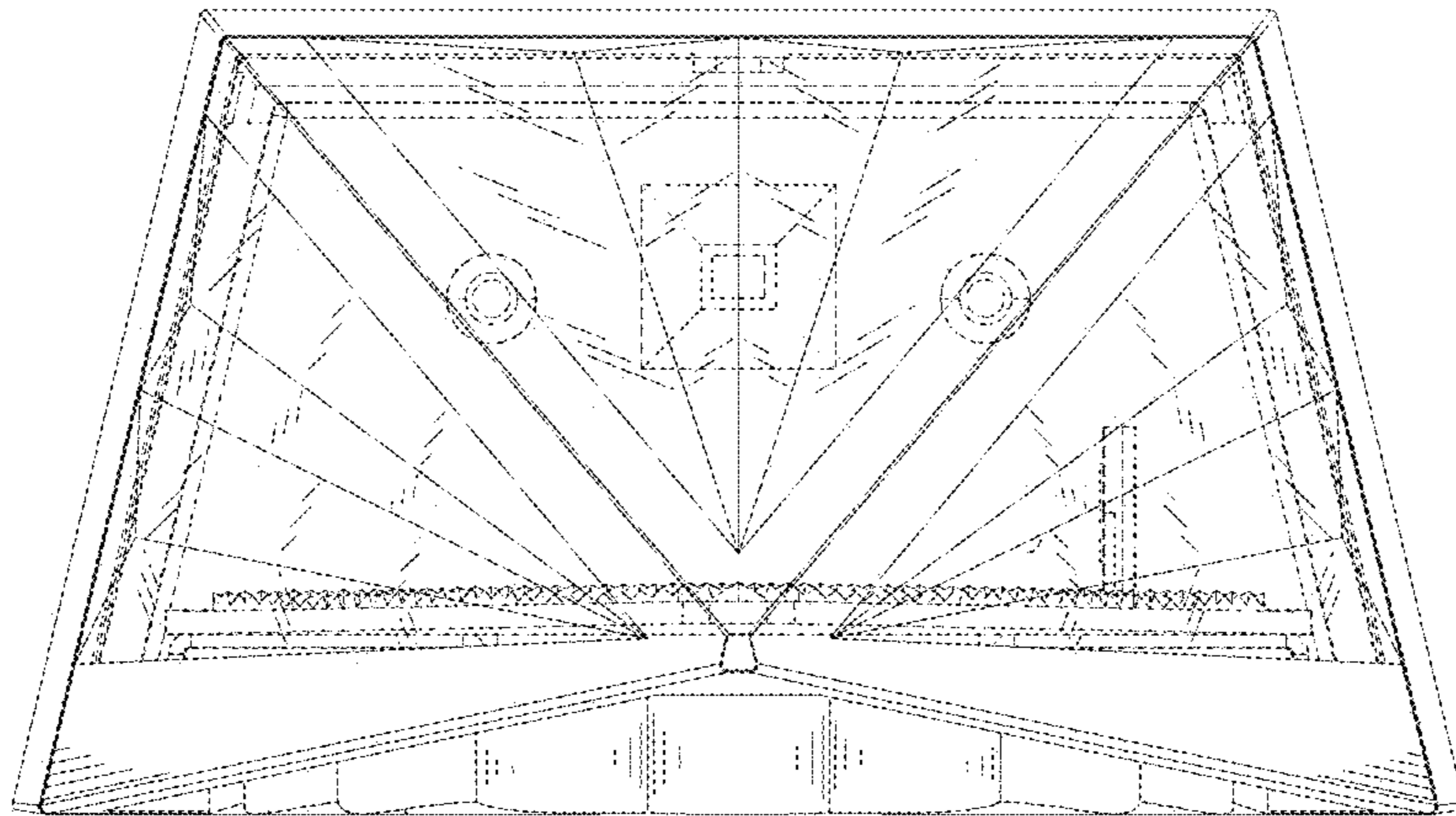


FIG. 8