



US00D973943S

(12) **United States Design Patent** (10) **Patent No.:** **US D973,943 S**
Zeng (45) **Date of Patent:** **** Dec. 27, 2022**

(54) **SOLAR LIGHT**

D918,456 S * 5/2021 Hillyard D26/85
D930,879 S * 9/2021 Nobes D26/72
D963,913 S * 9/2022 Wang D26/72

(71) Applicant: **Hongbin Zeng**, Ji'an (CN)

(72) Inventor: **Hongbin Zeng**, Ji'an (CN)

(**) Term: **15 Years**

(21) Appl. No.: **29/740,697**

(22) Filed: **Jul. 7, 2020**

(51) **LOC (13) Cl.** **26-03**

(52) **U.S. Cl.**
USPC **D26/85**

(58) **Field of Classification Search**
USPC D26/72, 85
CPC F21S 8/03; F21S 8/033; F21S 8/036; F21S
8/037; F21S 9/022; F21S 9/024; F21S
9/03; F21S 9/035; F21S 9/037; F21W
2131/107

See application file for complete search history.

(56) **References Cited**

U.S. PATENT DOCUMENTS

D569,030 S * 5/2008 Lee D26/85
D612,975 S * 3/2010 Guercio D26/85
D639,985 S * 6/2011 Stolte D26/26
D646,006 S * 9/2011 Stolte D26/26
D867,646 S * 11/2019 Flindt D26/85
D895,880 S * 9/2020 Liu D26/85
D906,568 S * 12/2020 Wu D26/72

OTHER PUBLICATIONS

XINREE Solar motion Sensor Lights, ASIN: B09CDBBQ5V. Available from amazon.com Aug. 11, 2021. (Year: 2021).*
XINGDIAN Bright Radar Induction Lamp Solar, ASIN: B09DBGKVYH. Available from amazon.com Aug. 22, 2021. (Year: 2021).*
XINREE Solar Lights, ASIN: B098N32TZ6. Available from amazon.com Jul. 5, 2021. (Year: 2021).*

* cited by examiner

Primary Examiner — Clare E Heflin

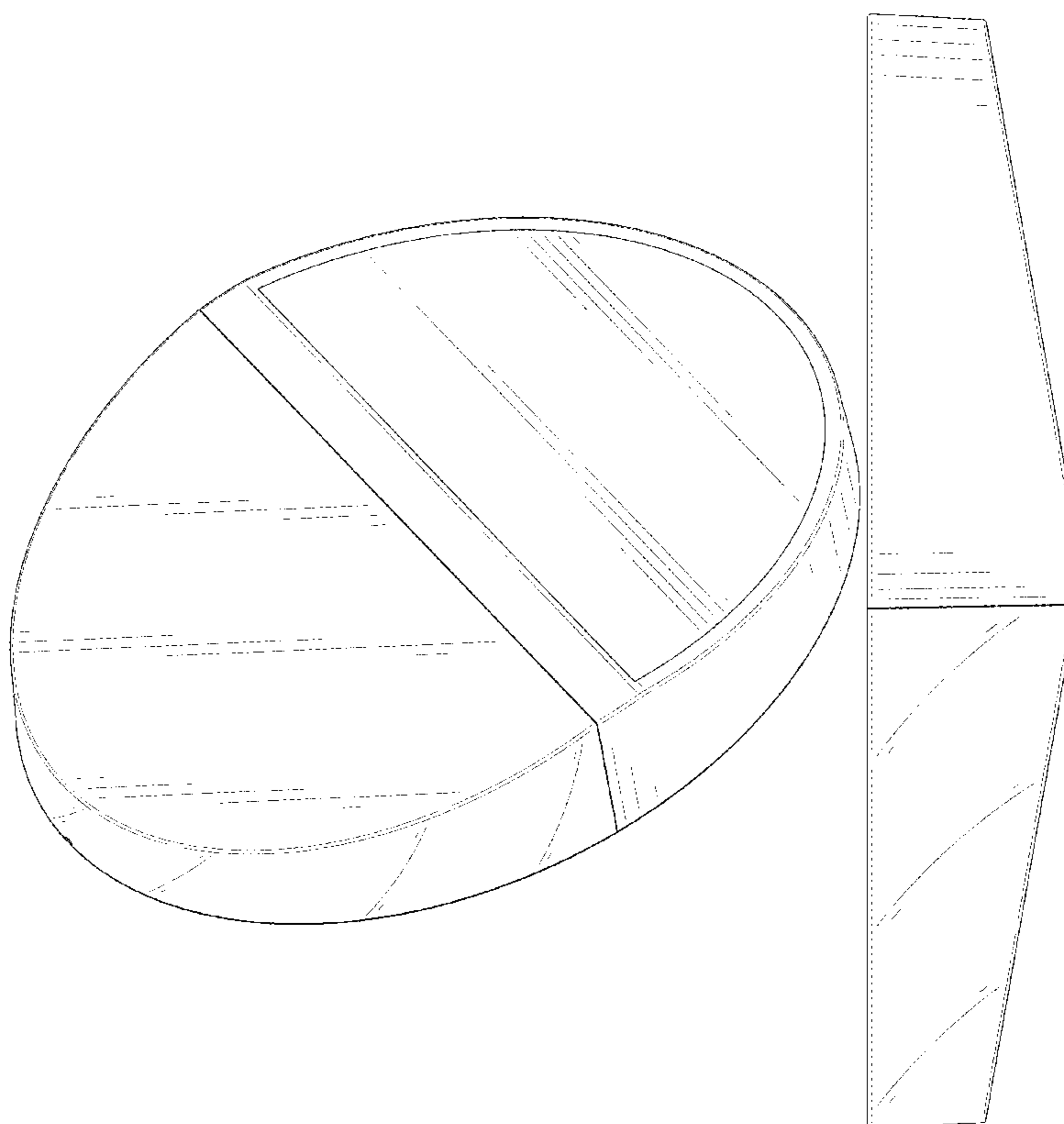
(57) **CLAIM**

The ornamental design for a solar light, as shown and described.

DESCRIPTION

FIG. 1 is a perspective view of a solar light showing my new design;
FIG. 2 is another perspective view thereof;
FIG. 3 is a front elevational view thereof;
FIG. 4 is a rear elevational view thereof;
FIG. 5 is a left side elevational view thereof;
FIG. 6 is a right side elevational view thereof;
FIG. 7 is a top plan view thereof; and,
FIG. 8 is a bottom plan view thereof.
The broken lines in the drawings depict portions of the solar light that form no part of the claimed design.

1 Claim, 8 Drawing Sheets



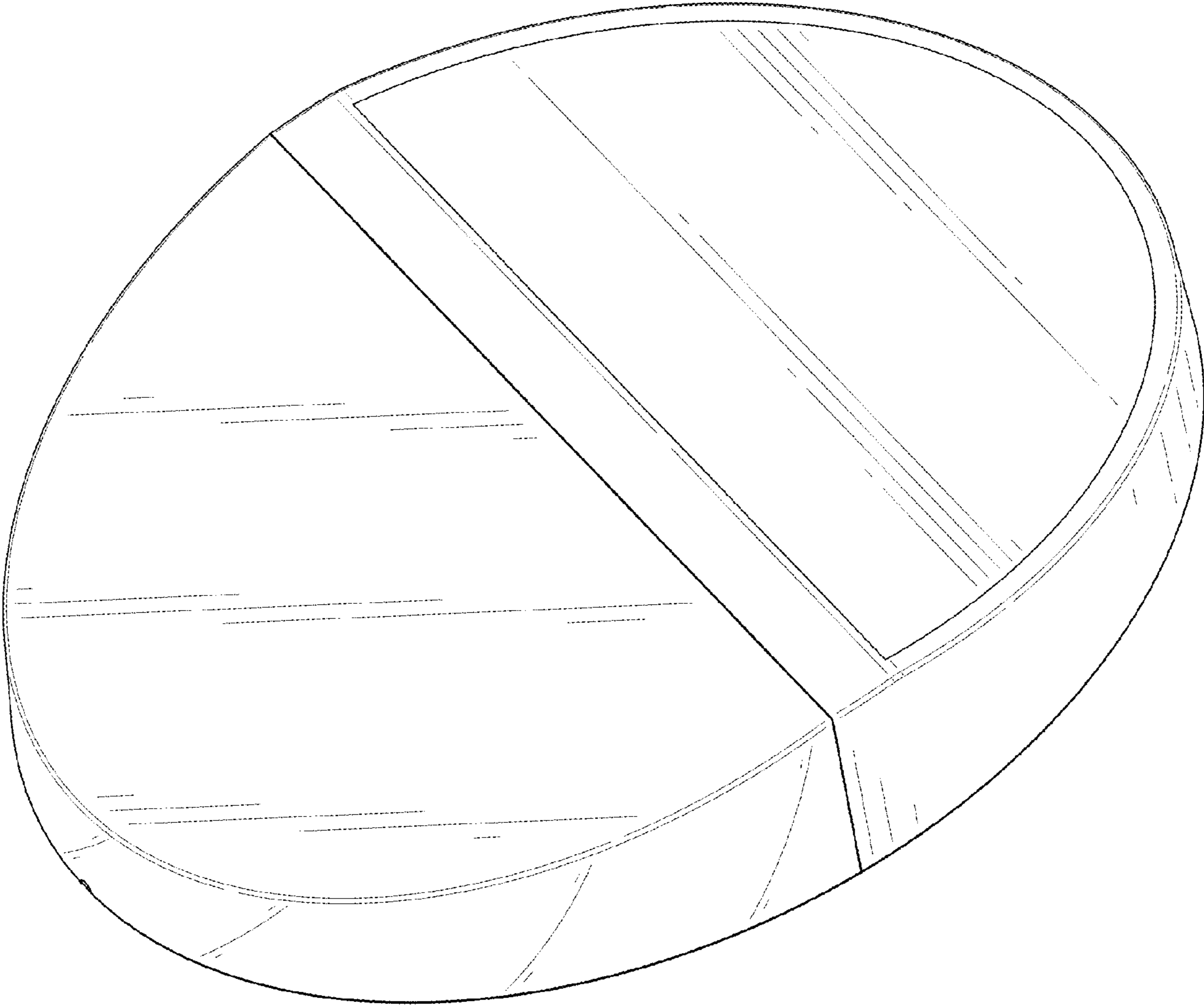


FIG. 1

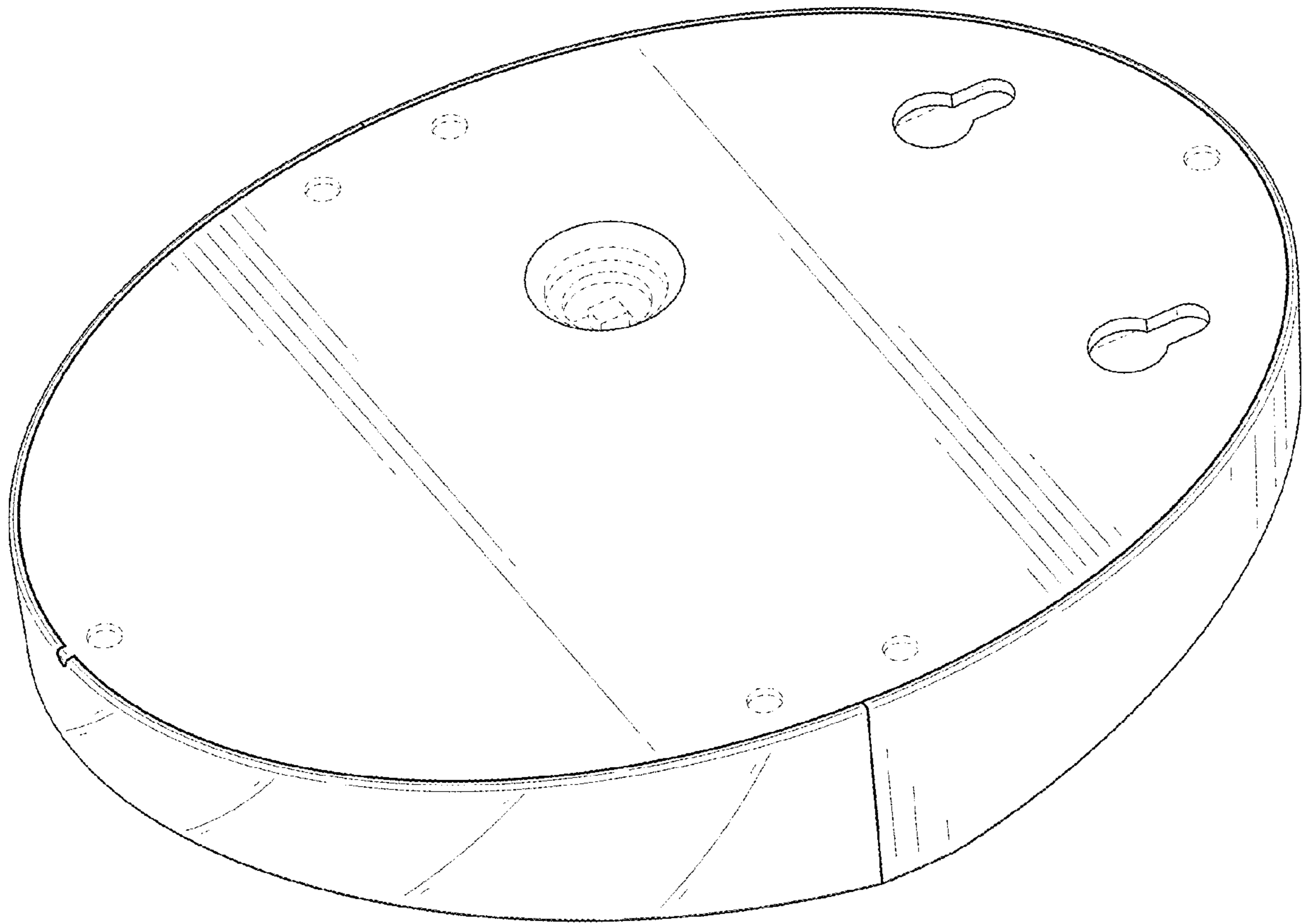


FIG. 2

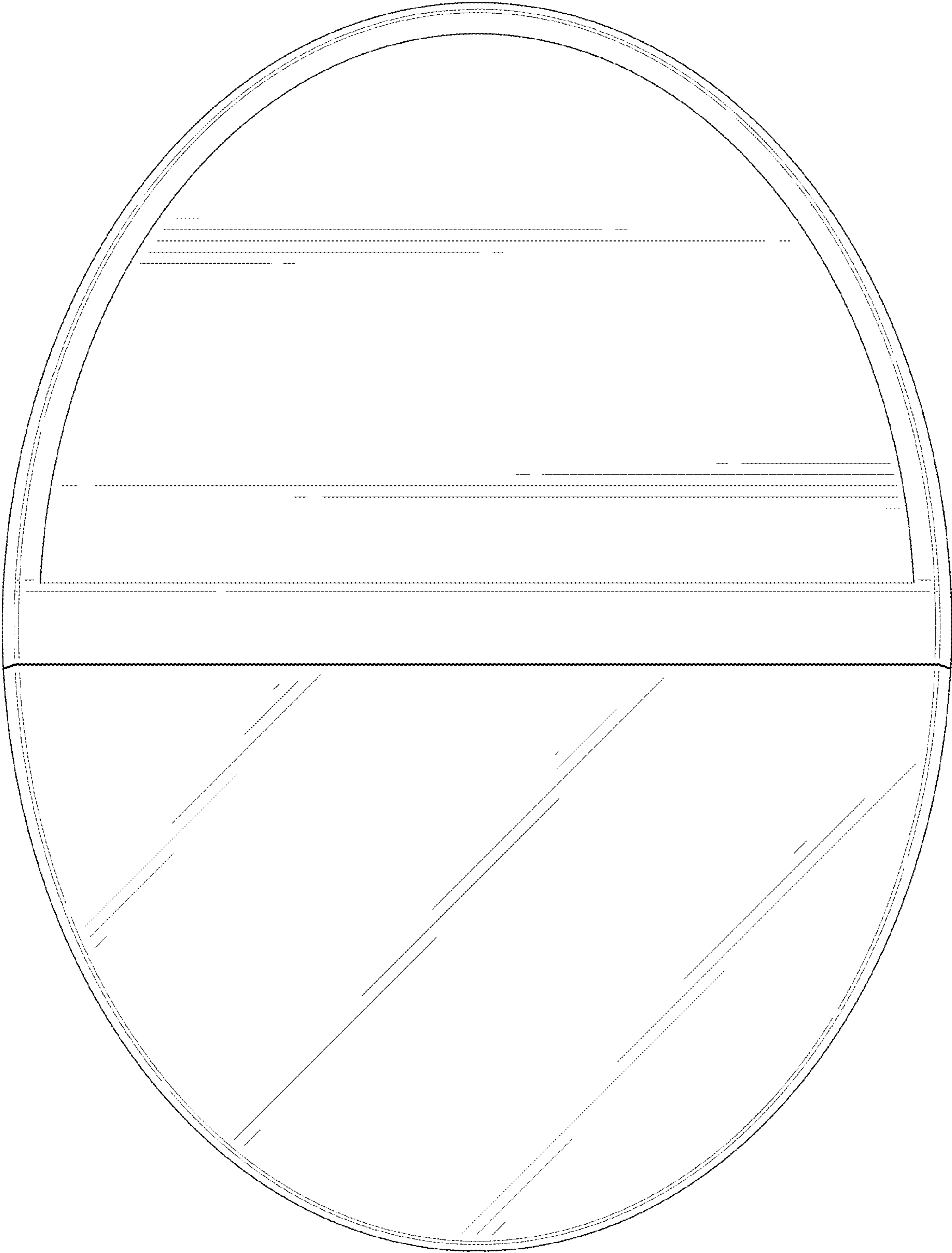


FIG. 3

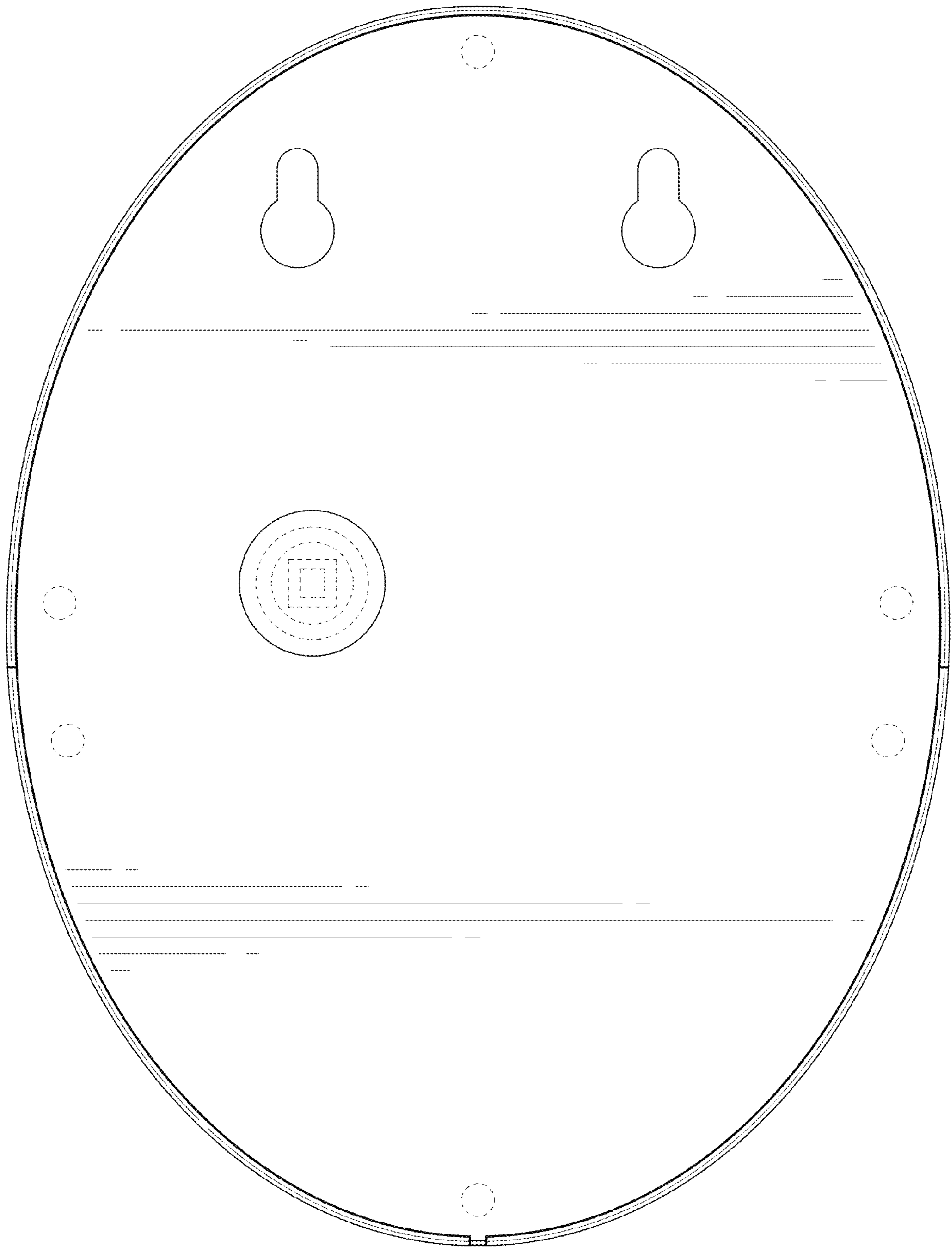


FIG. 4

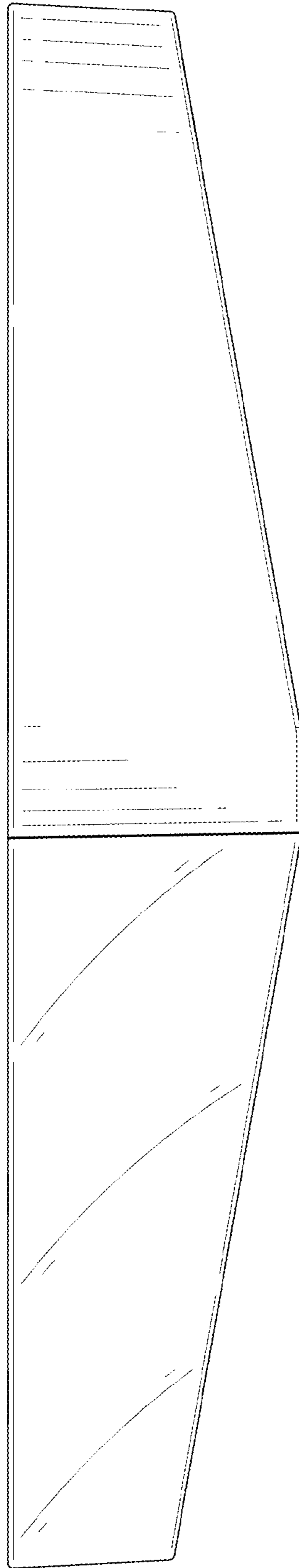


FIG. 5

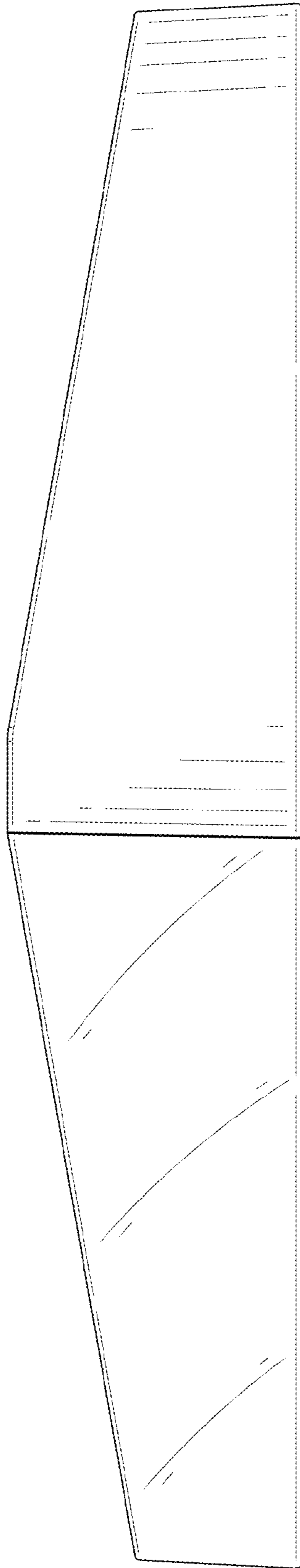


FIG. 6

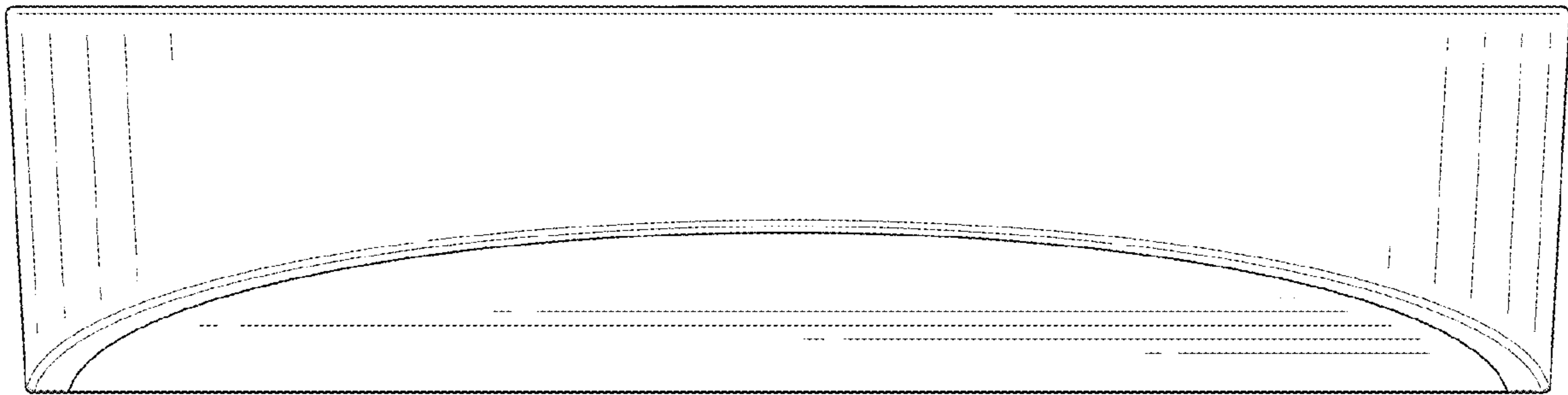


FIG. 7

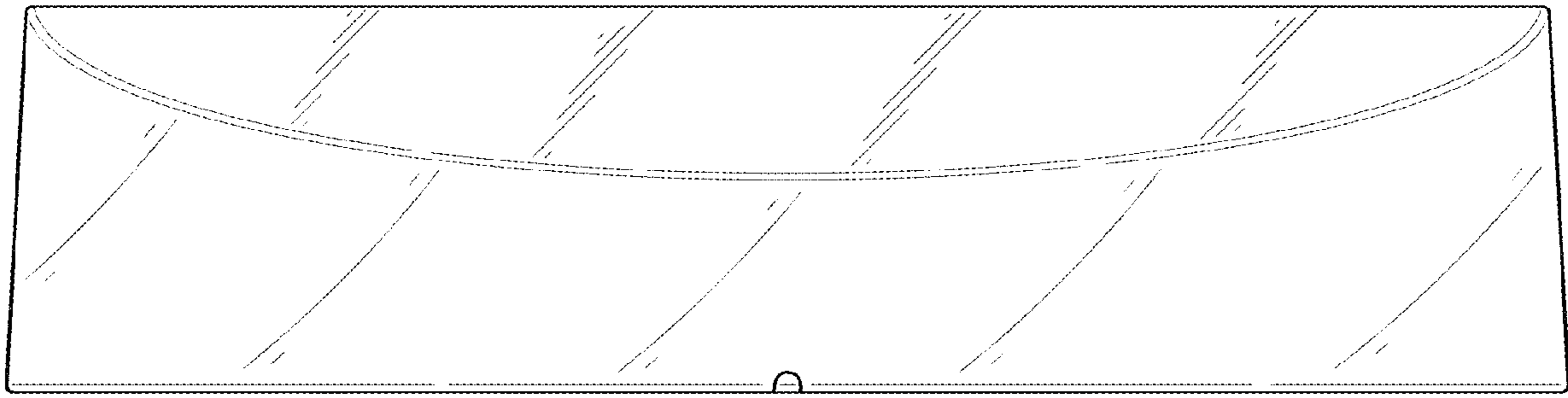


FIG. 8