



US00D973942S

(12) **United States Design Patent**
Ma

(10) **Patent No.:** **US D973,942 S**

(45) **Date of Patent:** **** Dec. 27, 2022**

(54) **LED POST TOP AREA LIGHT**

(71) Applicant: **SHENZHEN ADUB TECHNOLOGY CO., LTD**, Shenzhen (CN)

(72) Inventor: **Yan Ma**, Shenzhen (CN)

(73) Assignee: **SHENZHEN ADUB TECHNOLOGY CO., LTD**, Shenzhen (CN)

(**) Term: **15 Years**

(21) Appl. No.: **29/816,491**

(22) Filed: **Nov. 23, 2021**

(51) **LOC (13) Cl.** **26-05**

(52) **U.S. Cl.**
USPC **D26/70**

(58) **Field of Classification Search**
USPC D26/67-71; D25/135
CPC F21S 8/08; F21S 8/081; F21S 8/083; F21S 8/088; F21W 2111/02; F21W 2111/023; F21V 29/76; F21V 29/77; F21V 29/777; F21V 29/78
See application file for complete search history.

(56) **References Cited**

U.S. PATENT DOCUMENTS

D120,022 S *	4/1940	Sheerer	D26/133
D558,374 S	12/2007	Sandell		
D571,494 S *	6/2008	Friedman	D26/67
D578,694 S *	10/2008	Zeng	D26/70
7,682,049 B2 *	3/2010	Zheng	F21V 29/773 362/249.02
D617,485 S *	6/2010	Hamilton	D26/89
7,753,560 B2 *	7/2010	Xu	F21V 29/75 362/249.02
D625,038 S *	10/2010	Yoo	D26/85
D651,735 S *	1/2012	Dai	D26/72
D672,076 S *	12/2012	Guercio	D26/70
D673,320 S *	12/2012	Guercio	D26/89
D690,453 S *	9/2013	Guercio	D26/88
D745,991 S *	12/2015	Duquette	D26/67

D752,798 S *	3/2016	Righetto	D26/70
D752,799 S *	3/2016	Righetto	D26/70
D786,467 S	5/2017	Wan et al.		

(Continued)

OTHER PUBLICATIONS

Adub, LED Post Top Light. First available Sep. 6, 2022. Searched on Oct. 17, 2022. [https://www.amazon.com/dp/B0B2K9QQ7V/] (Year: 2022).*

(Continued)

Primary Examiner — W. A. Teddy Falloway
Assistant Examiner — Melissa Adriane Santos

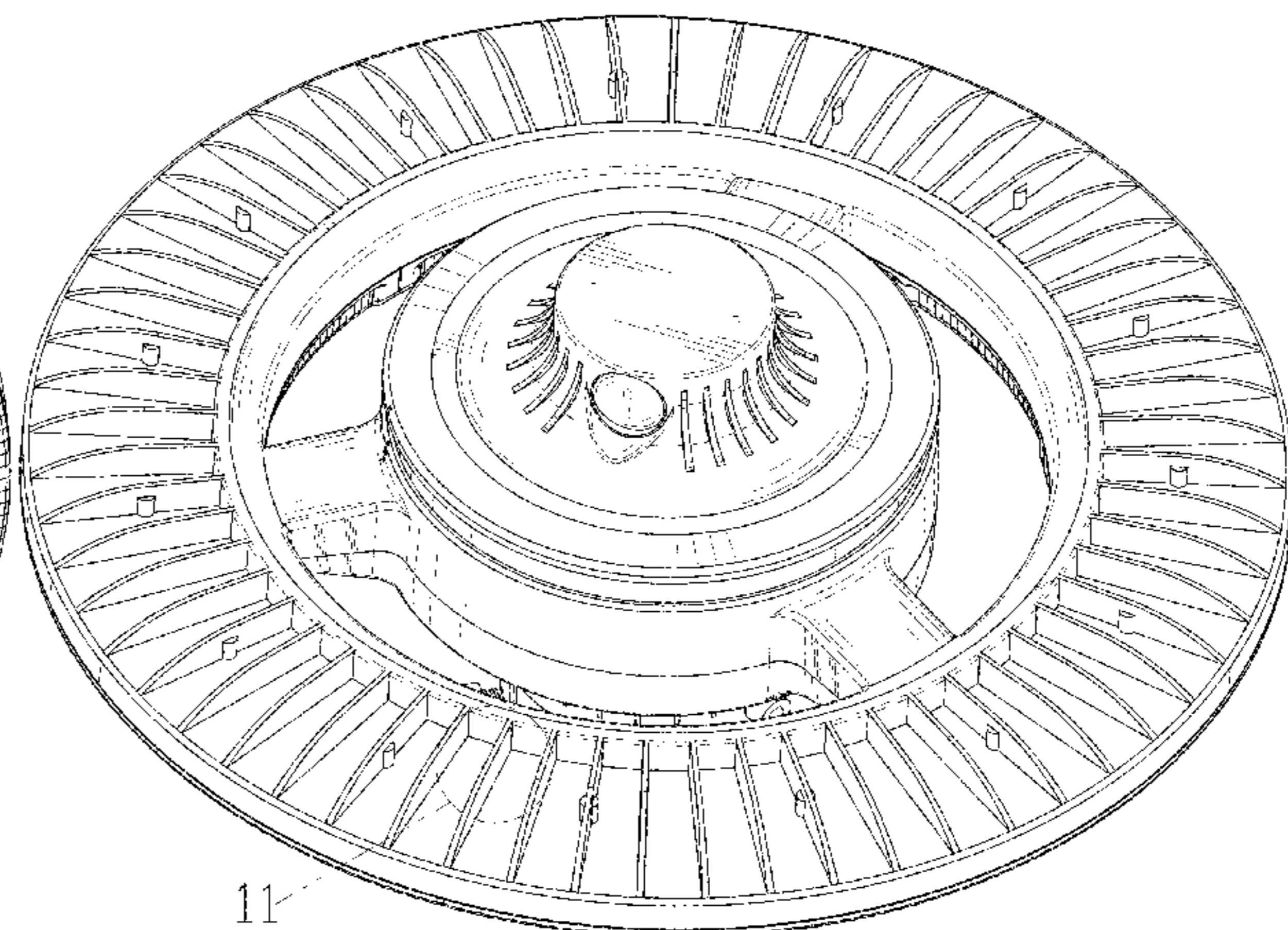
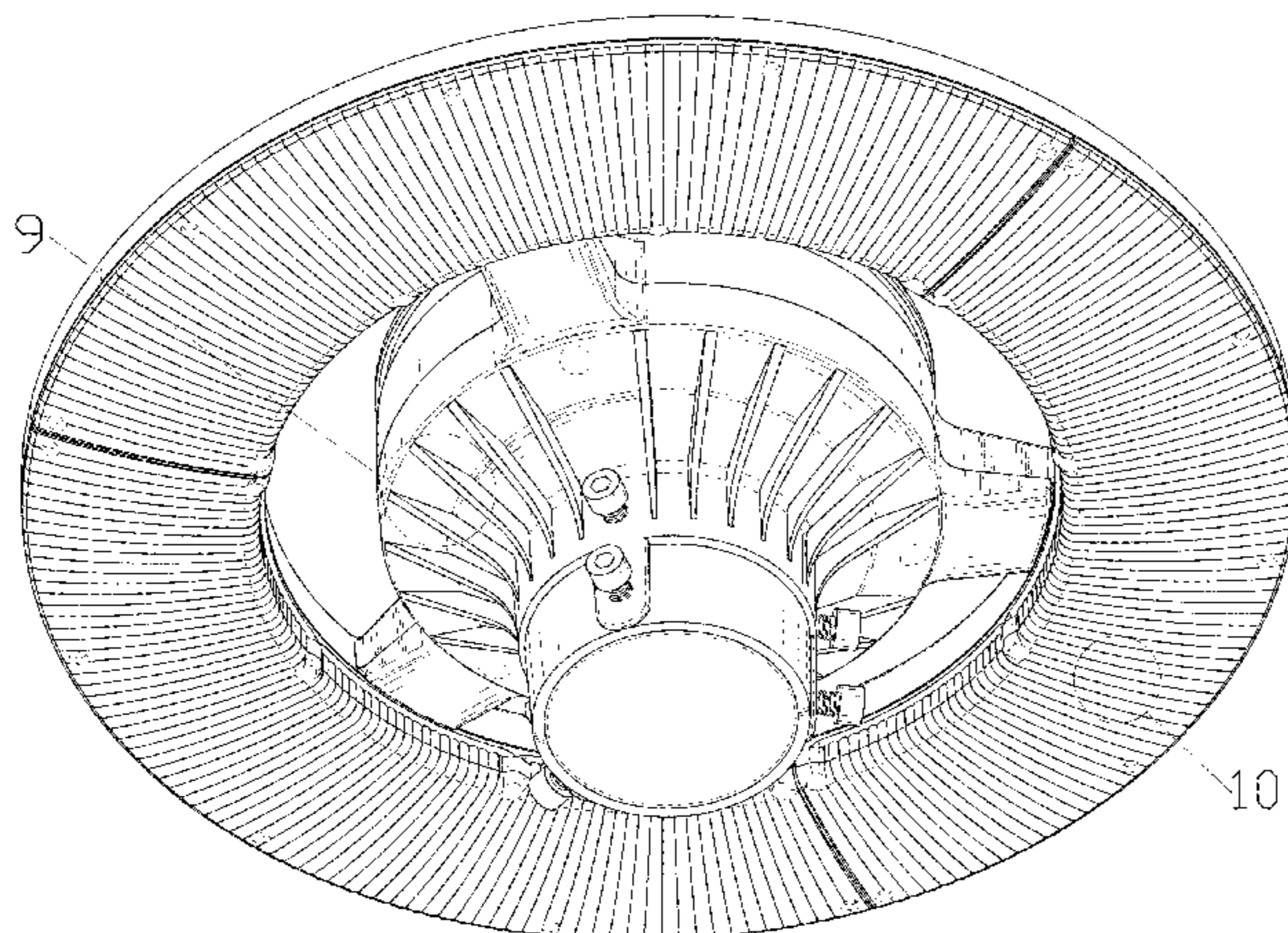
(57) **CLAIM**

The ornamental design for an LED post top area light, as shown and described.

DESCRIPTION

FIG. 1 is a perspective view of an LED post top area light, showing my new design.
FIG. 2 is another perspective view thereof;
FIG. 3 is a front elevational view thereof;
FIG. 4 is a rear elevational view thereof;
FIG. 5 is a left side elevational view thereof;
FIG. 6 is a right side elevational view thereof;
FIG. 7 is a top plan view thereof;
FIG. 8 is a bottom plan view thereof;
FIG. 9 is an enlarged view of portion 9 shown in FIG. 1;
FIG. 10 is an enlarged view of portion 10 shown in FIG. 1; and,
FIG. 11 is an enlarged view of portion 11 shown in FIG. 2.
The dash-dash broken lines in the drawings depict portions of the LED post top area light that form no part of the claimed design. The dot-dash broken lines represent boundaries of the enlarged portions and form no part of the claimed design.

1 Claim, 11 Drawing Sheets



(56)

References Cited

U.S. PATENT DOCUMENTS

D811,642	S *	2/2018	Liang	D26/72
D842,528	S *	3/2019	Yu	D26/88
D868,335	S *	11/2019	Li	D26/72
D877,385	S *	3/2020	Gibson	D26/67
D906,570	S *	12/2020	Li	D26/72
D932,089	S *	9/2021	Wilcox	D26/118
D936,266	S *	11/2021	Sung	D26/72
D942,664	S *	2/2022	Xie	D26/72
2013/0322079	A1 *	12/2013	Guercio	F21S 8/04 362/249.01
2016/0363300	A1 *	12/2016	Ma	F21S 8/043
2019/0249849	A1 *	8/2019	Rodriguez	F21V 23/009
2022/0275917	A1 *	9/2022	Huang	F21S 9/035

OTHER PUBLICATIONS

BBESTLED, LED Post Top Light. First available May 9, 2022. Searched on Oct. 17, 2022. [<https://www.amazon.com/dp/B09ZTLLXY4/>] (Year: 2022).*

Yellore, LED Post Top Light. First available Sep. 6, 2022. Searched on Oct. 17, 2022. [<https://www.amazon.com/dp/B0B1ZMJ7WG/>] (Year: 2022).*

* cited by examiner

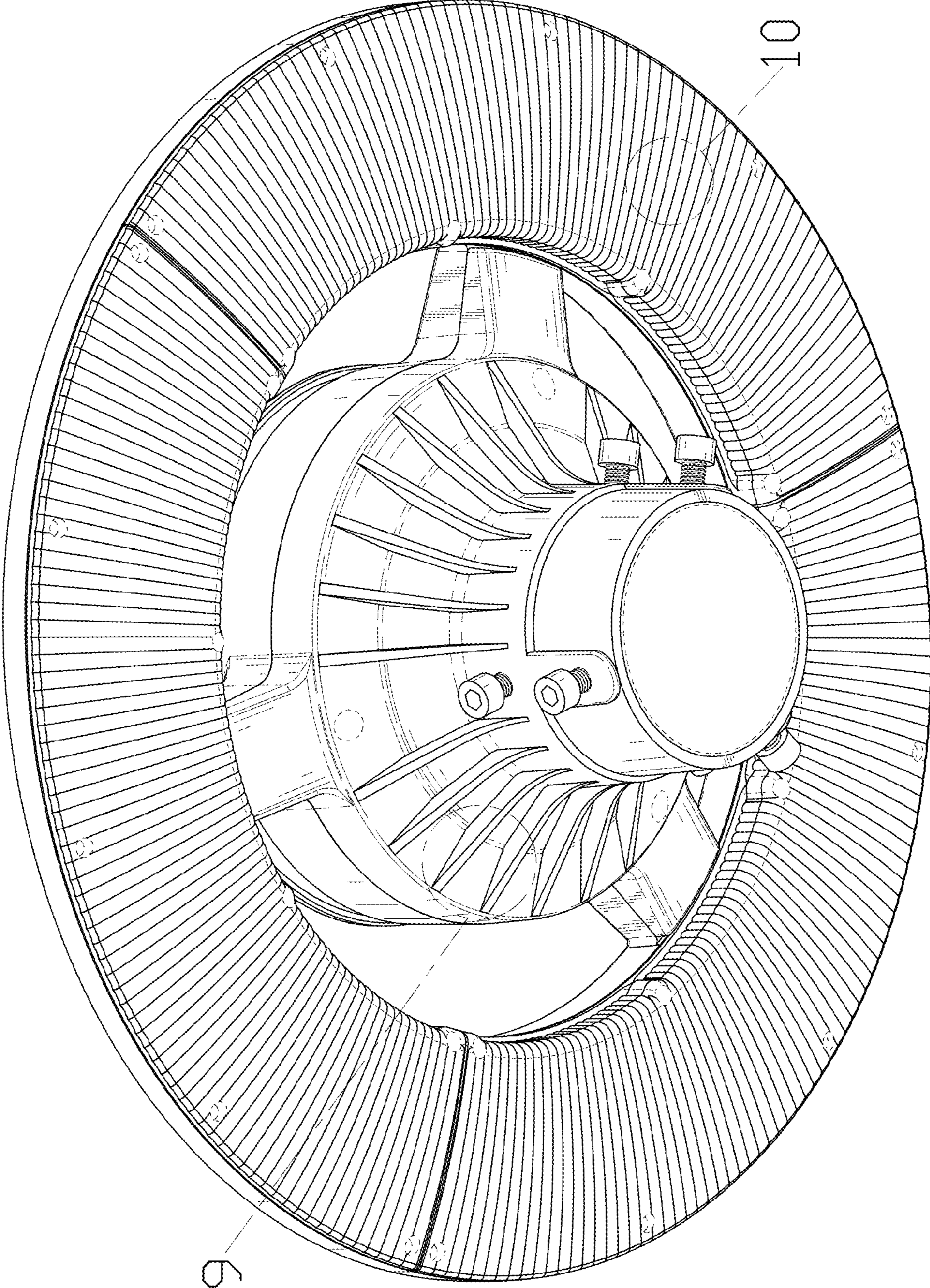


FIG. 1

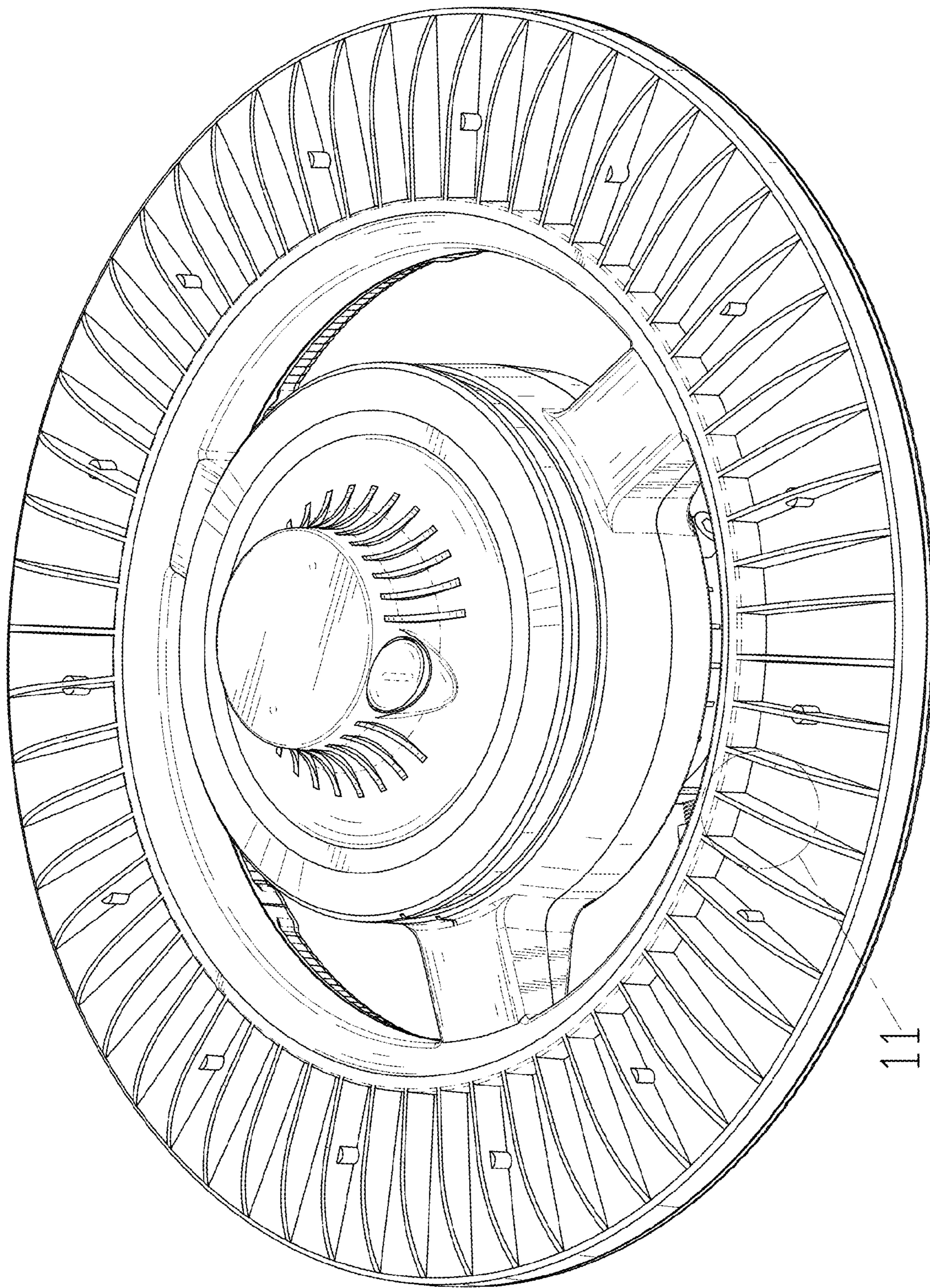


FIG. 2

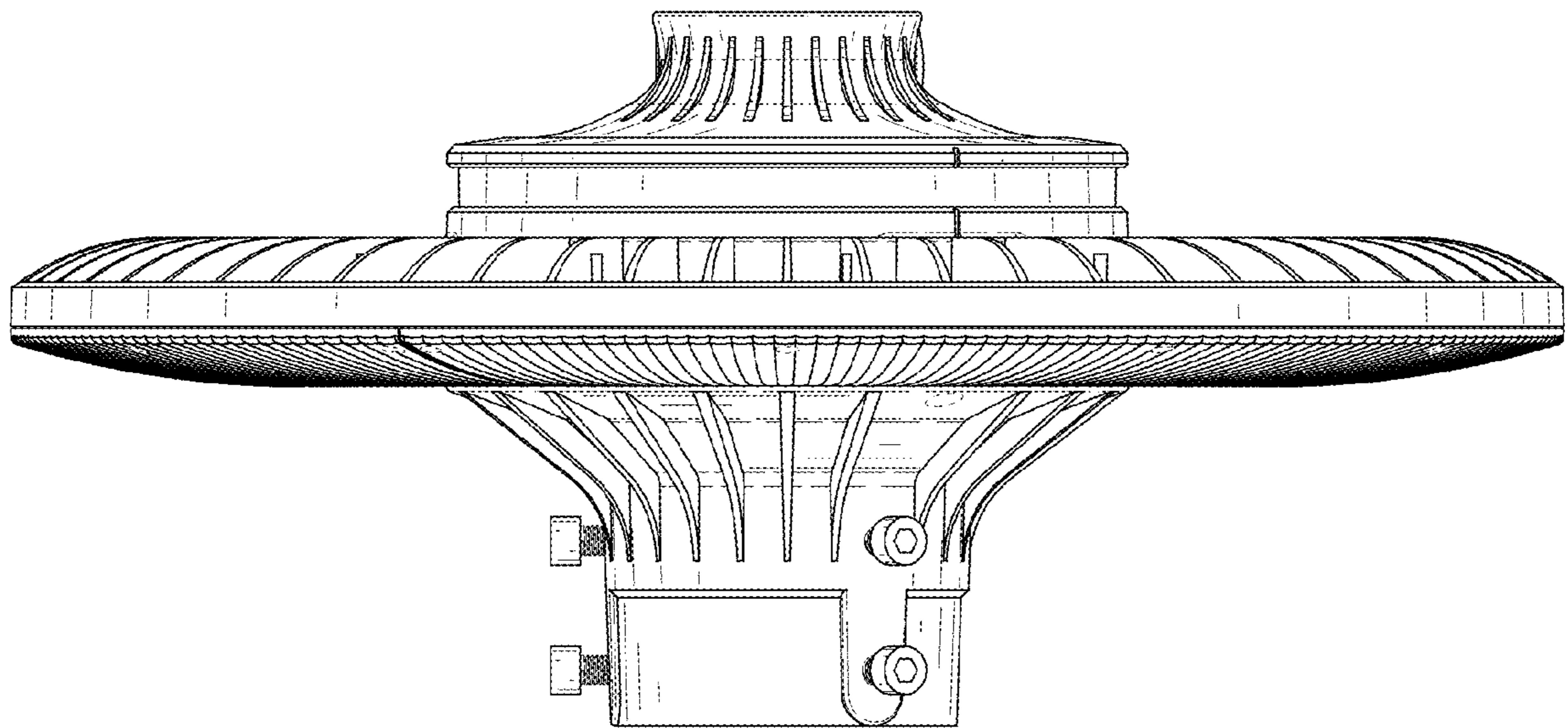


FIG. 3

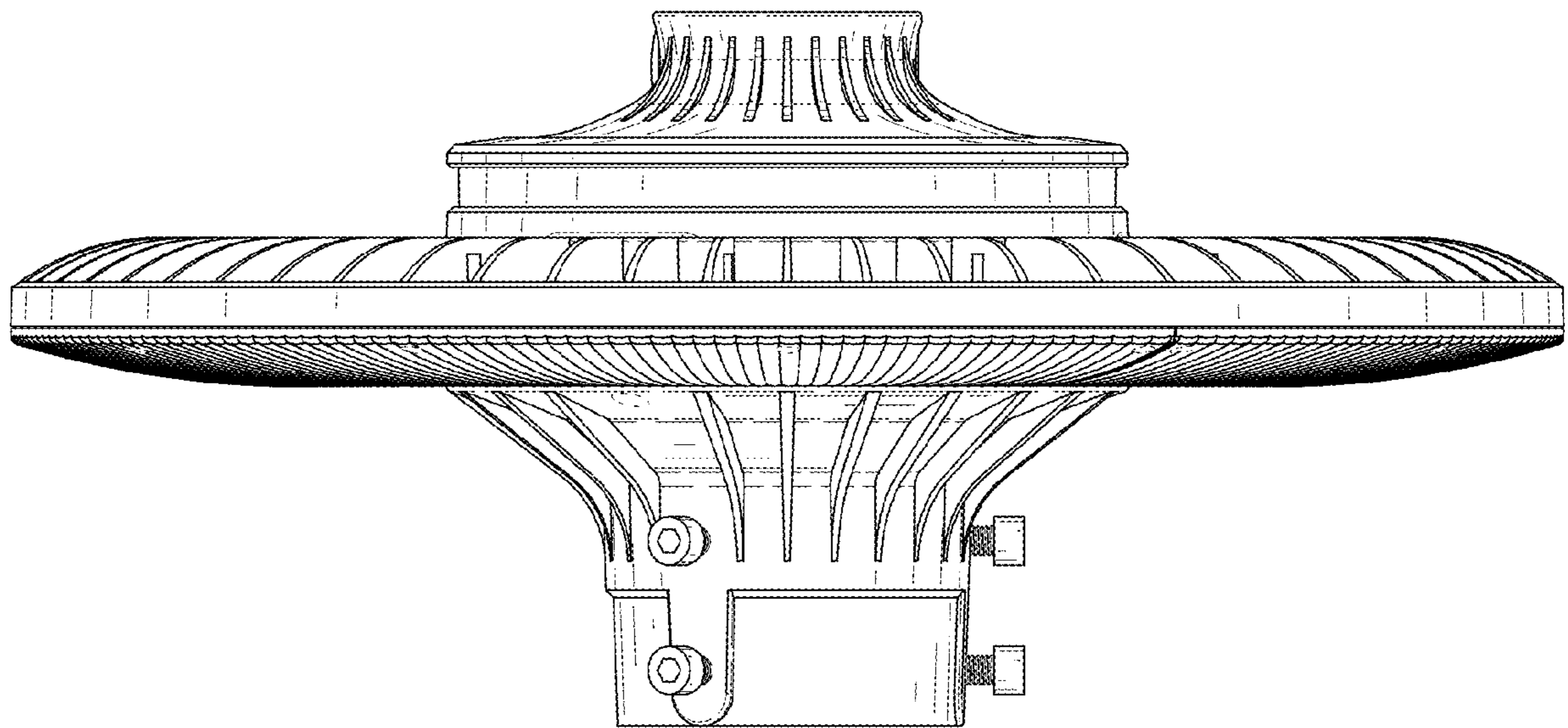


FIG. 4

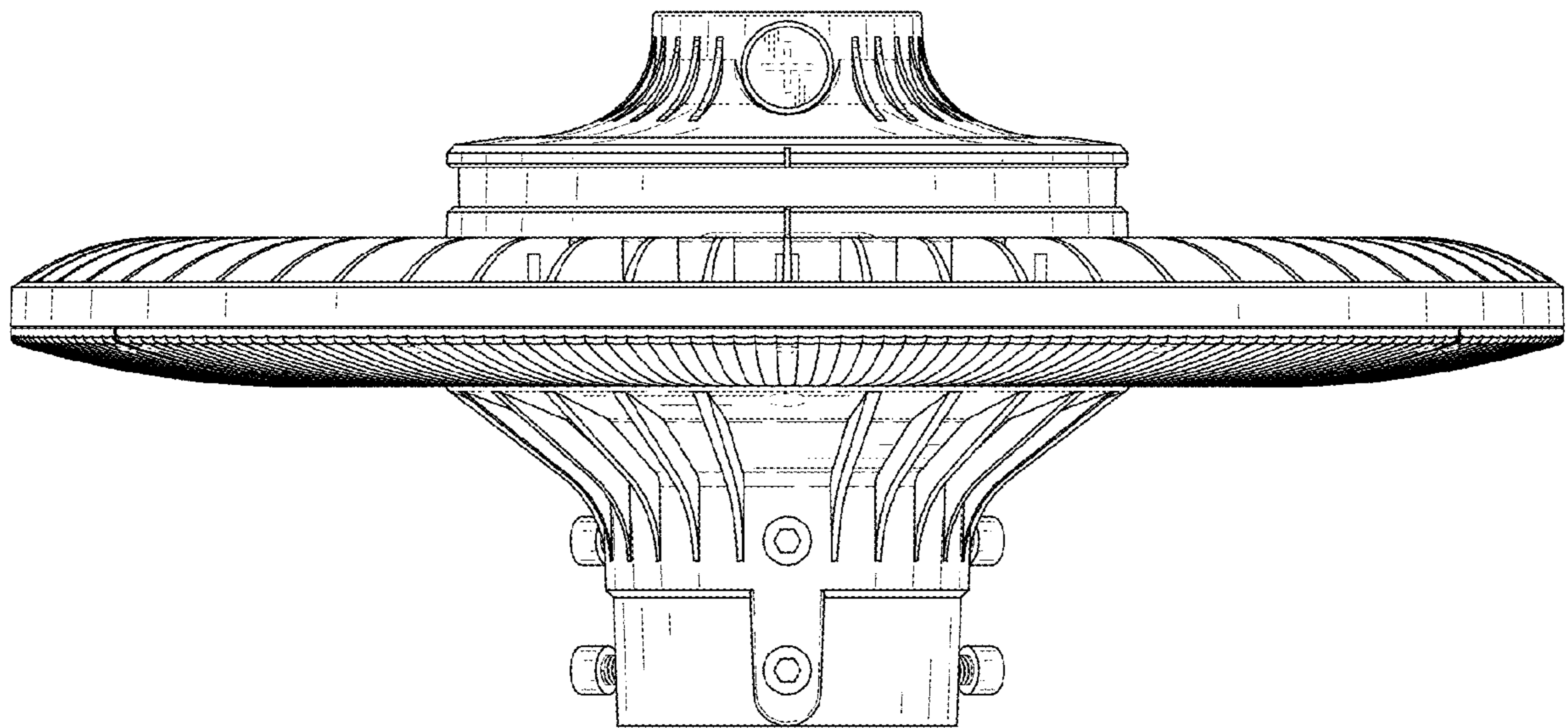


FIG. 5

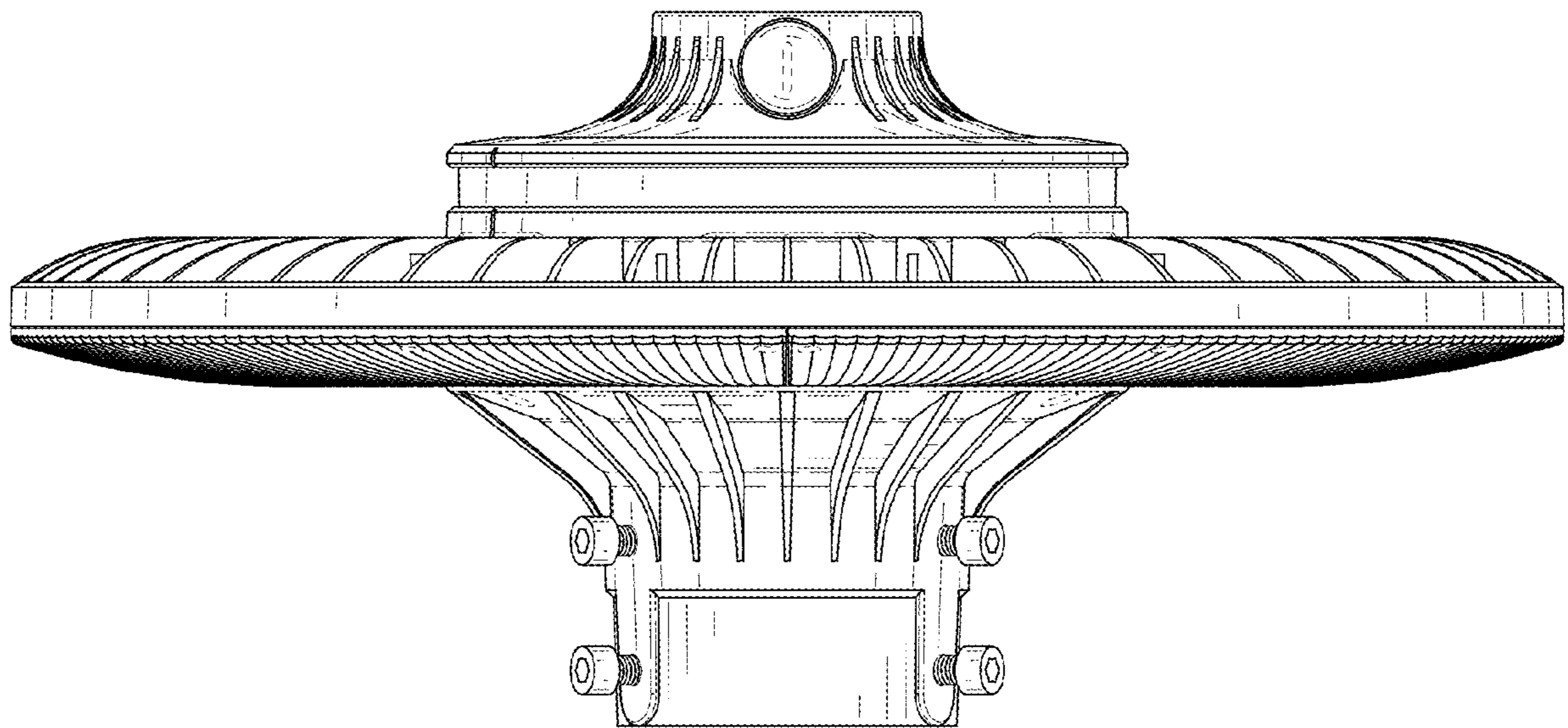


FIG. 6

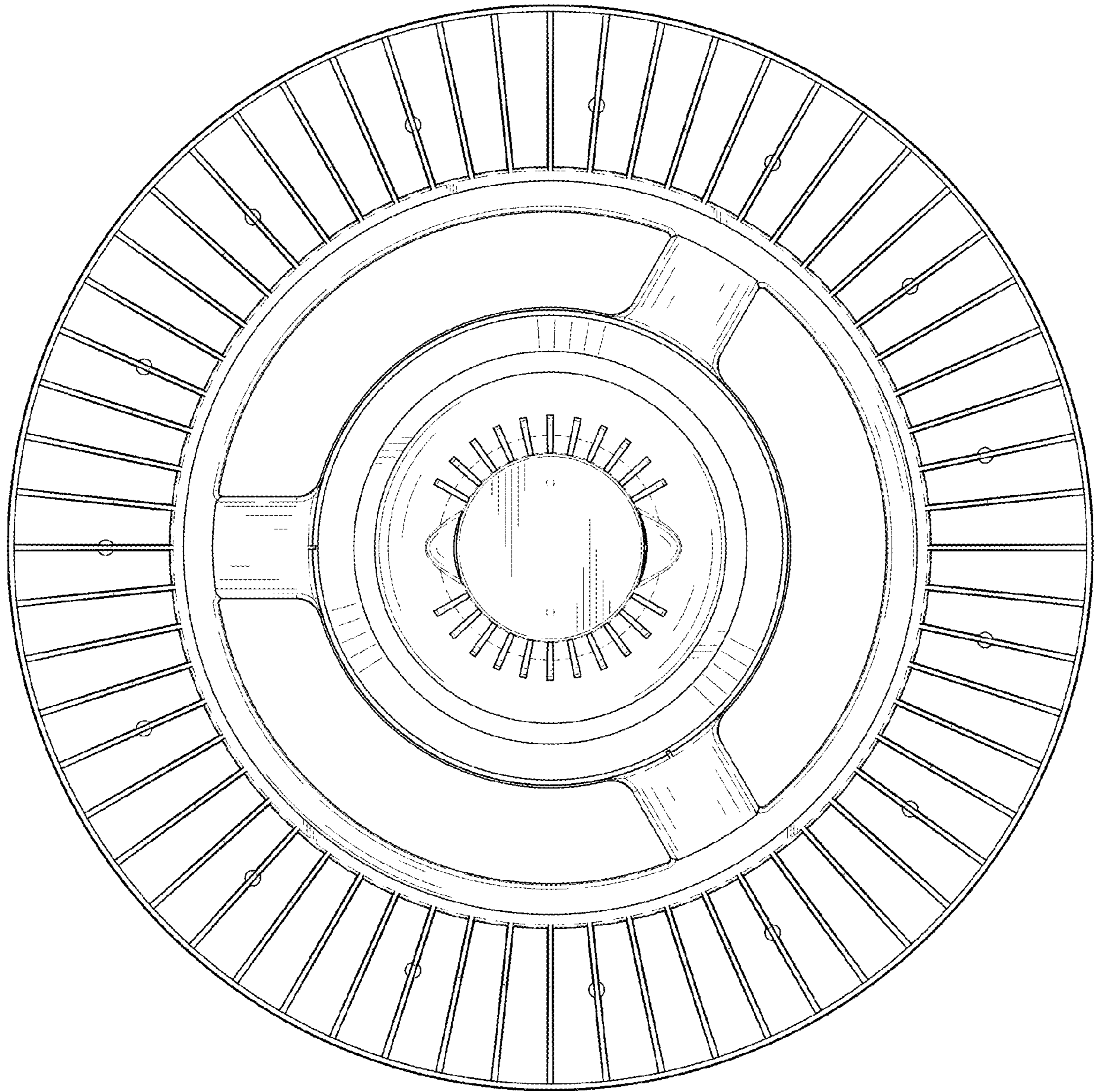


FIG. 7

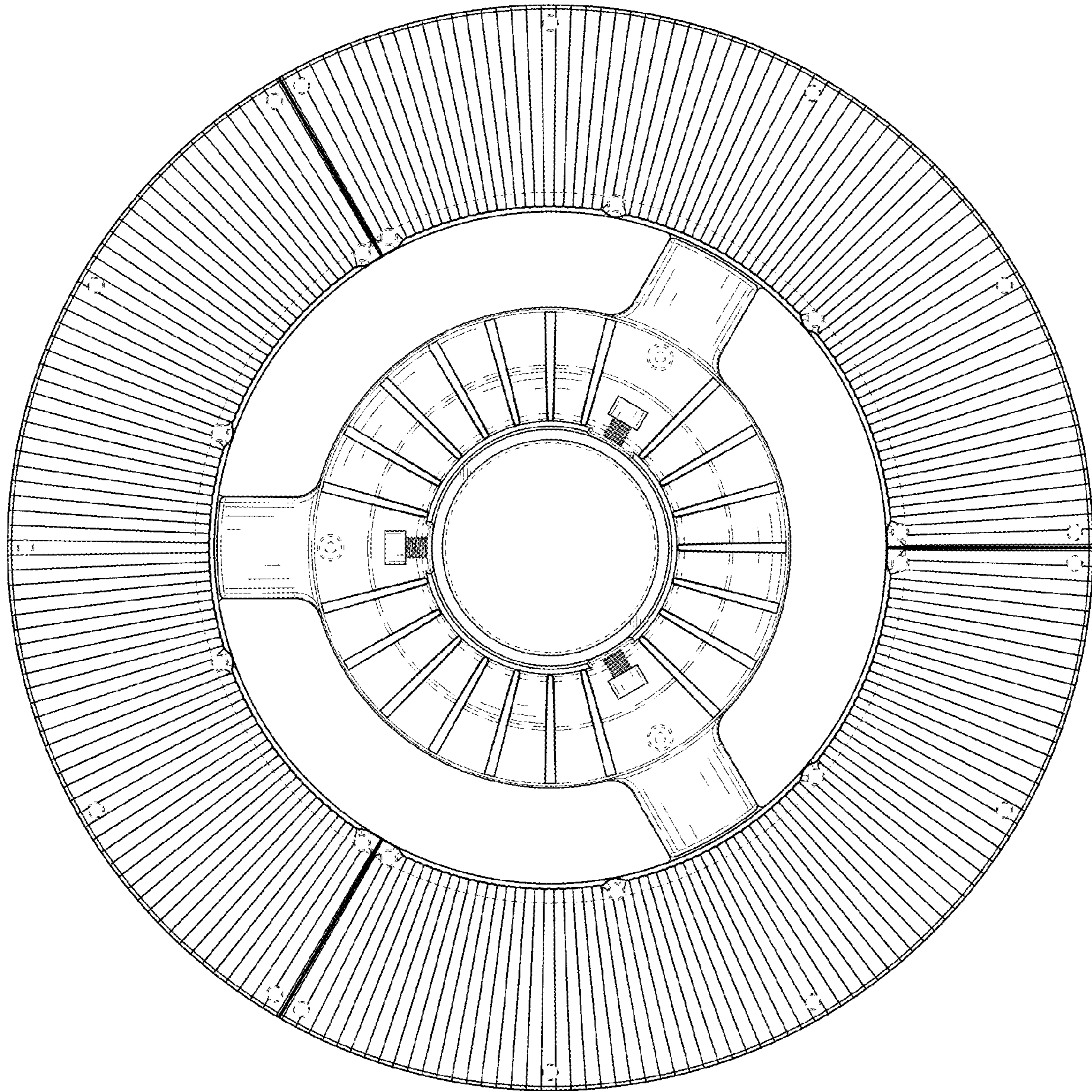


FIG. 8

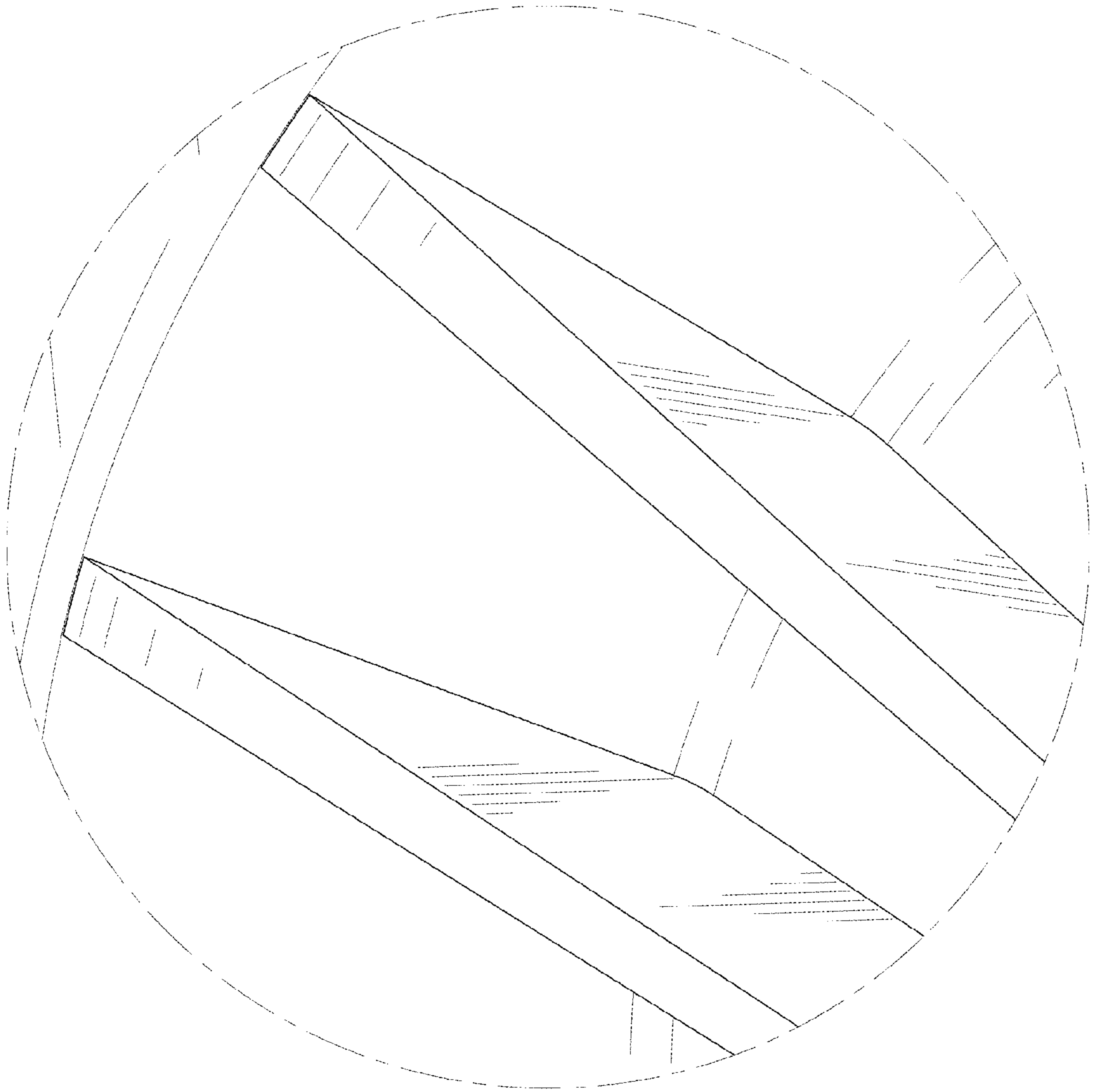


FIG. 9

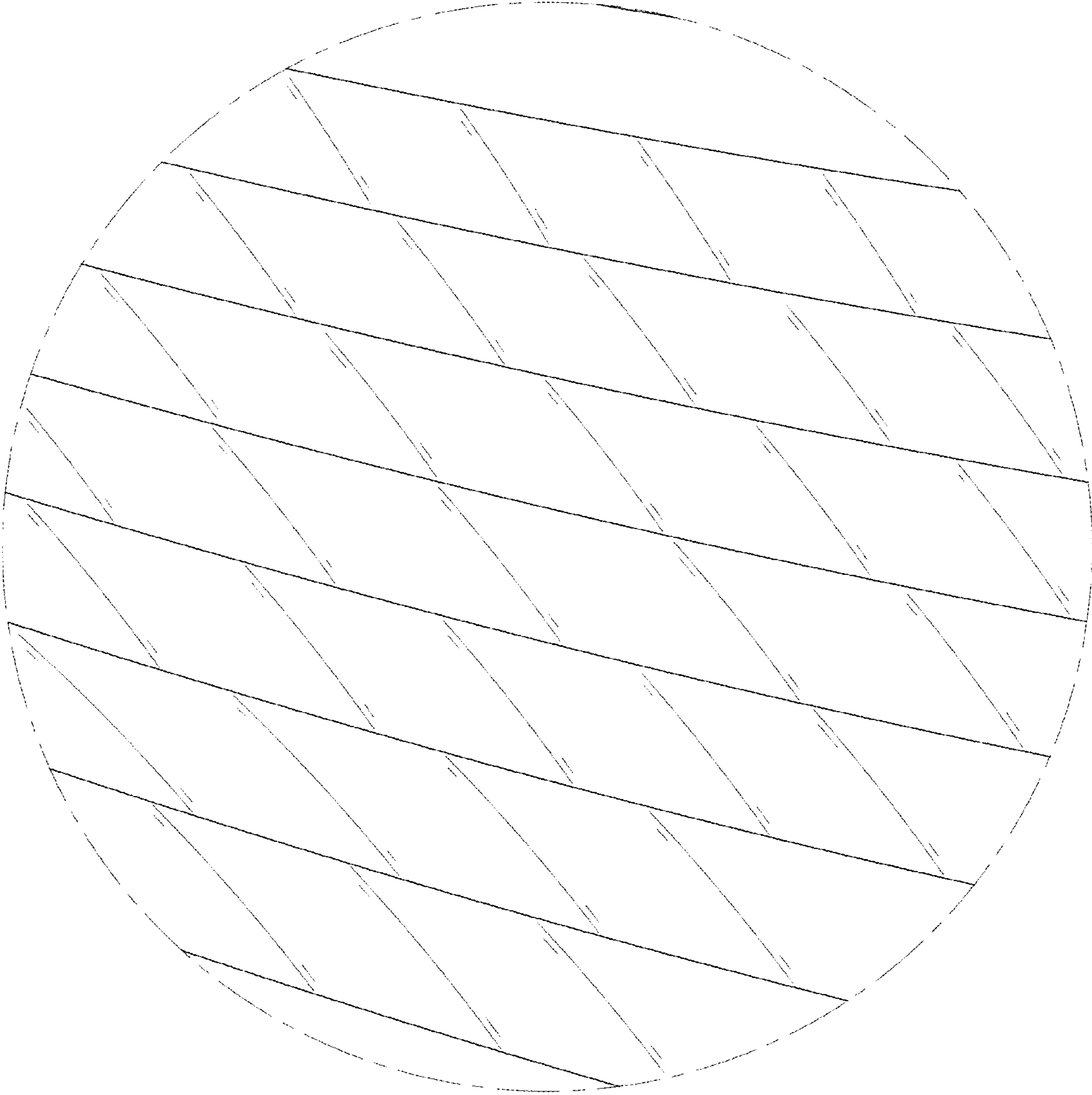


FIG. 10

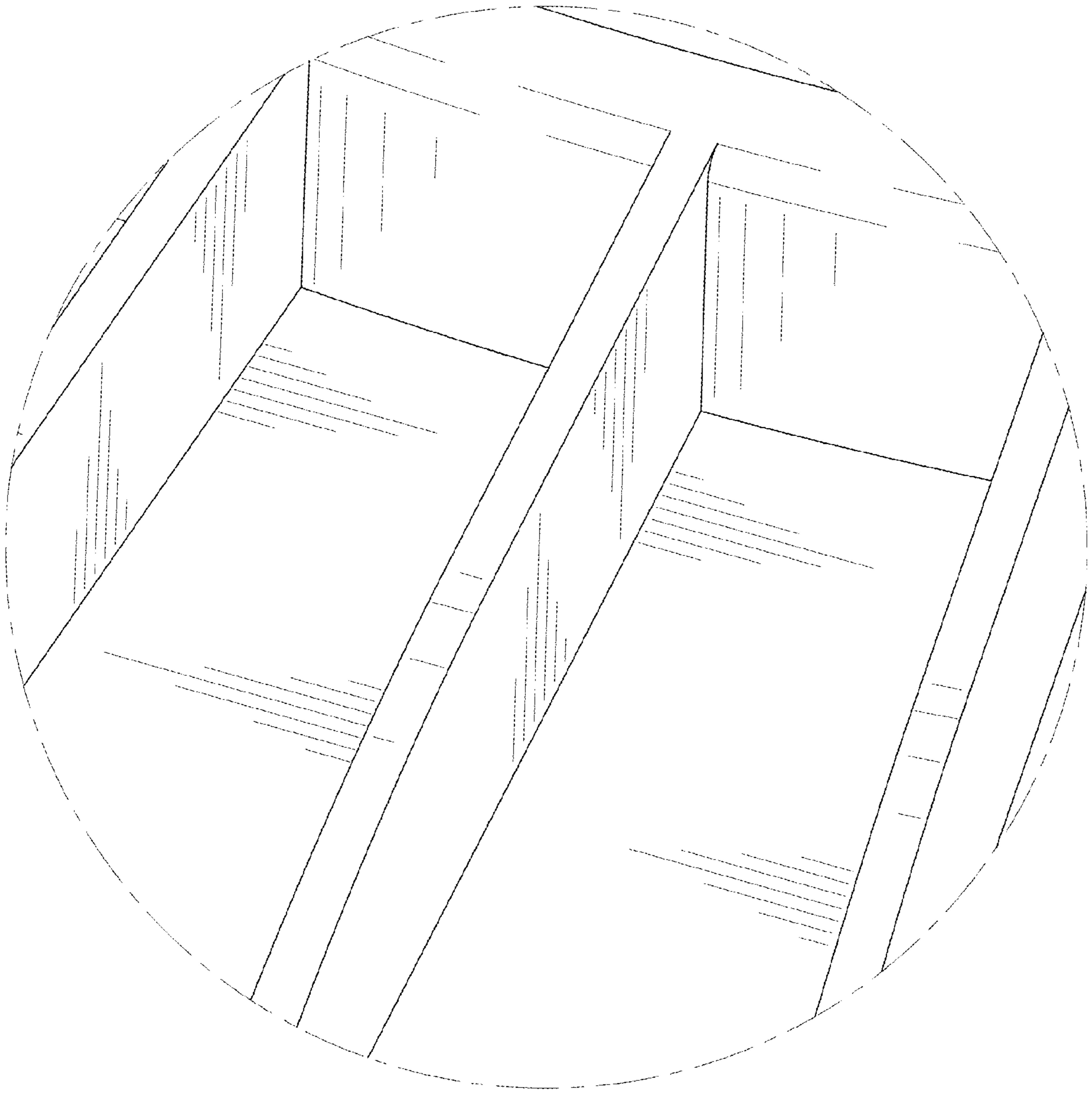


FIG. 11