



US00D973941S

(12) **United States Design Patent** (10) **Patent No.:** **US D973,941 S**
Guo (45) **Date of Patent:** **** Dec. 27, 2022**

(54) **SOLAR LIGHT**
(71) Applicant: **Jinsheng Guo**, Hunan (CN)
(72) Inventor: **Jinsheng Guo**, Hunan (CN)
(**) Term: **15 Years**

D821,015 S * 6/2018 Peng D26/68
D824,069 S * 7/2018 Chen D26/67
D892,381 S * 8/2020 Lin D26/67
D899,658 S 10/2020 Wang
D935,676 S 11/2021 Ma
D953,595 S * 5/2022 Chen D26/67

(21) Appl. No.: **29/829,881**
(22) Filed: **Mar. 8, 2022**
(51) **LOC (13) Cl.** **26-05**
(52) **U.S. Cl.**
USPC **D26/67**
(58) **Field of Classification Search**
USPC D26/67-70, 85
CPC F21S 8/03; F21S 8/033; F21S 8/036; F21S
8/081; F21S 9/037; F21W 2111/02;
F21W 2111/023; F21W 2131/109
See application file for complete search history.

OTHER PUBLICATIONS

HAMPTON BAY Jefferson Solar Path Light, Model #84075. Available from homedepot.com as early as Dec. 28, 2021. (Year: 2021).*
GIMYORKE Solar Pathway Lights, ASIN: B09P7ZP5JD. Available from amazon.com Mar. 3, 2022. (Year: 2022).*
SOLPEX Solar Path Lights, ASIN: B084Z4VLDT. Available from amazon.com as early as Nov. 1, 2020. (Year: 2020).*
SOLPEX Solar Path Lights, ASIN: B07B452SR4. Available from amazon.com as early as Oct. 5, 2020. (Year: 2020).*

* cited by examiner

Primary Examiner — Clare E Hefflin
(74) *Attorney, Agent, or Firm* — SciNova IP and Regulatory Consulting LLC; Jingfeng Song

(56) **References Cited**
U.S. PATENT DOCUMENTS

D499,831 S 12/2004 Chen
D499,832 S 12/2004 Chen
D499,833 S 12/2004 Chen
D500,159 S 12/2004 Chen
D500,381 S 12/2004 Chen
D502,781 S 3/2005 Chen
D503,008 S 3/2005 Chen
D506,020 S 6/2005 Chen
D511,394 S 11/2005 Chen
D517,232 S 3/2006 Chen
D548,870 S * 8/2007 Richmond D26/85
D557,851 S * 12/2007 Chen D26/67
D606,226 S * 12/2009 Chen D26/67
D606,695 S * 12/2009 Chen D26/67
D616,132 S * 5/2010 Chen D26/67
D629,551 S 12/2010 Jing
D639,991 S * 6/2011 Chen D26/68

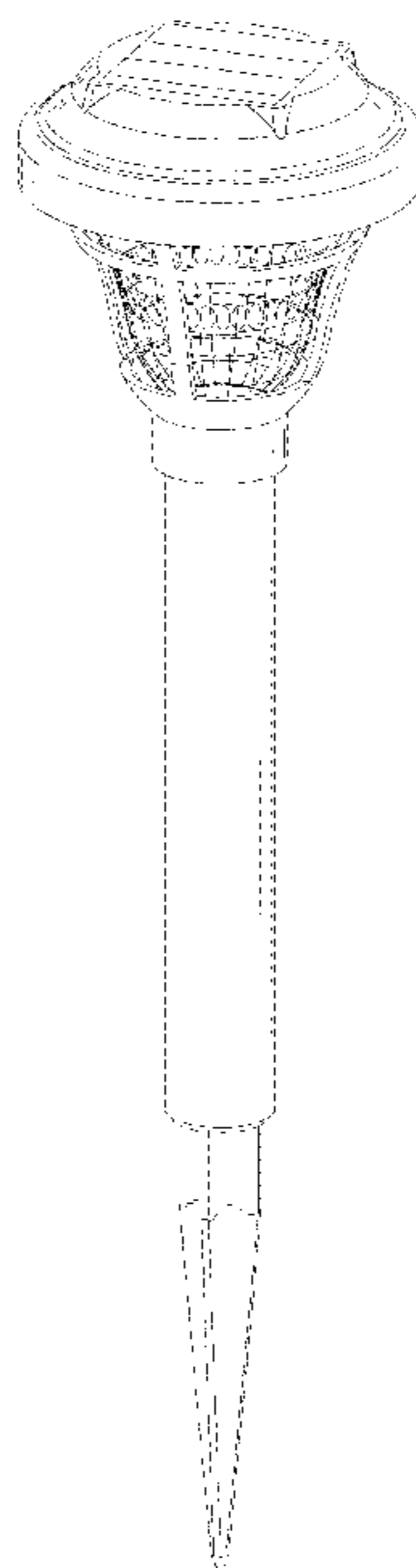
(57) **CLAIM**

The ornamental design for a solar light, as shown and described.

DESCRIPTION

FIG. 1 is a perspective view of a solar light, showing my new design;
FIG. 2 is a front elevational view thereof;
FIG. 3 is a rear elevational view thereof;
FIG. 4 is a left elevational view thereof;
FIG. 5 is a right elevational view thereof;
FIG. 6 is a top plan view thereof; and,
FIG. 7 is a bottom plan view thereof.
The broken lines shown on the drawings depict portions of the solar light that form no part of the claimed design.

1 Claim, 7 Drawing Sheets



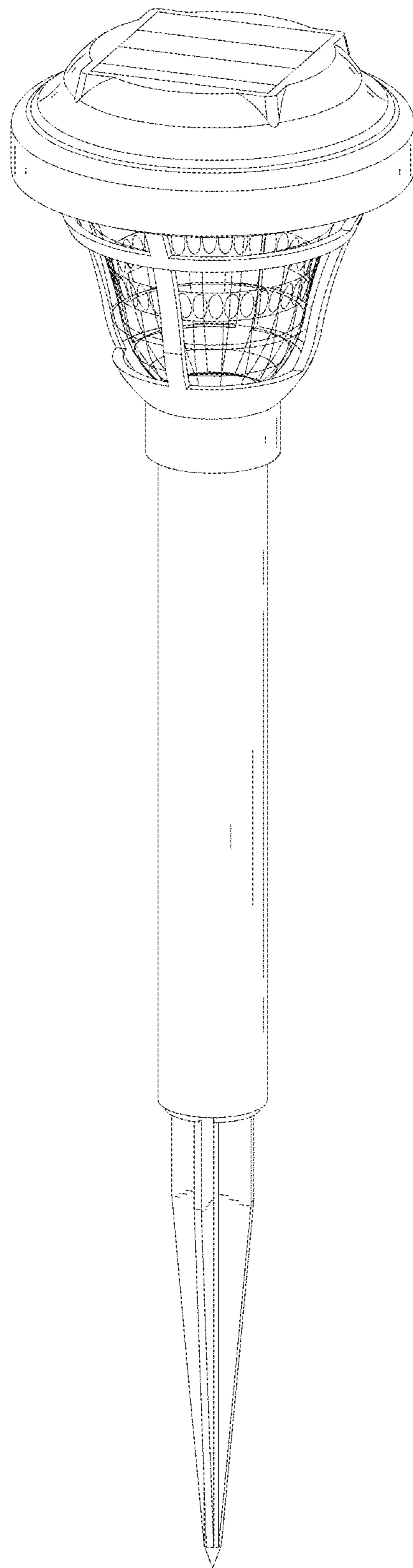


FIG. 1

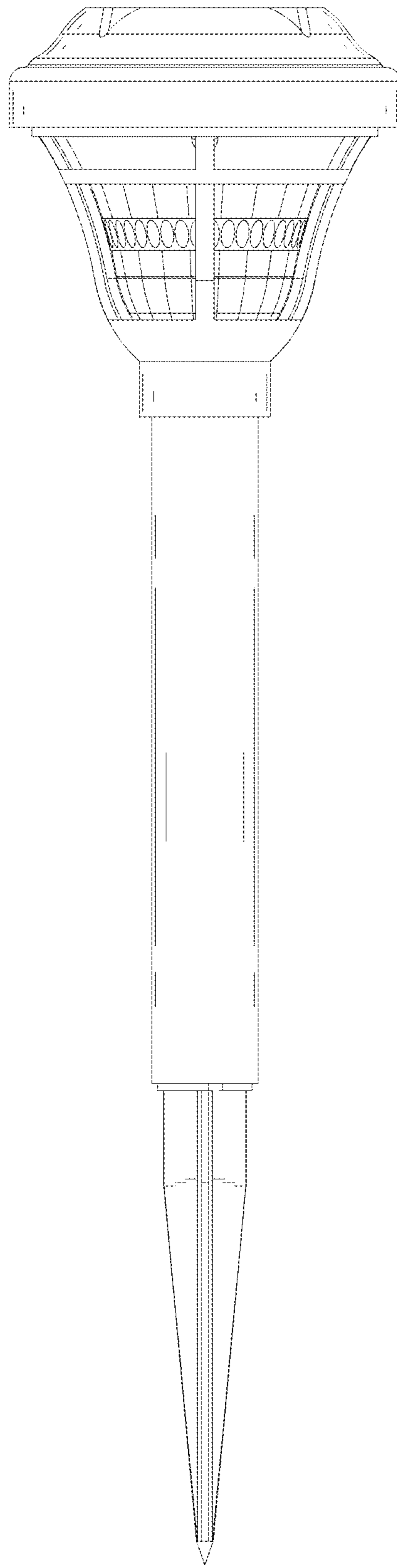


FIG.2

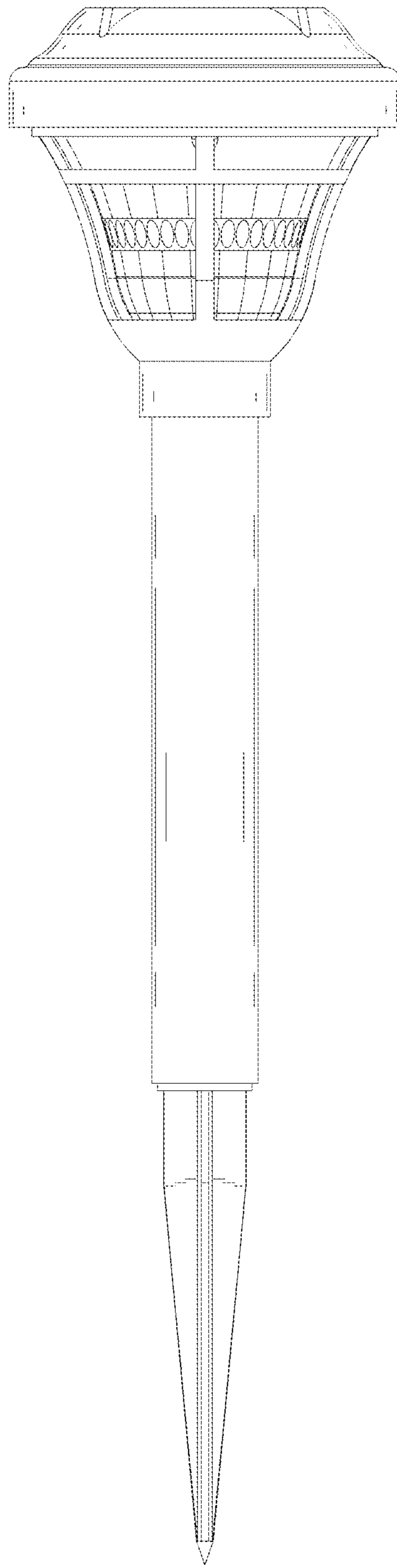


FIG.3

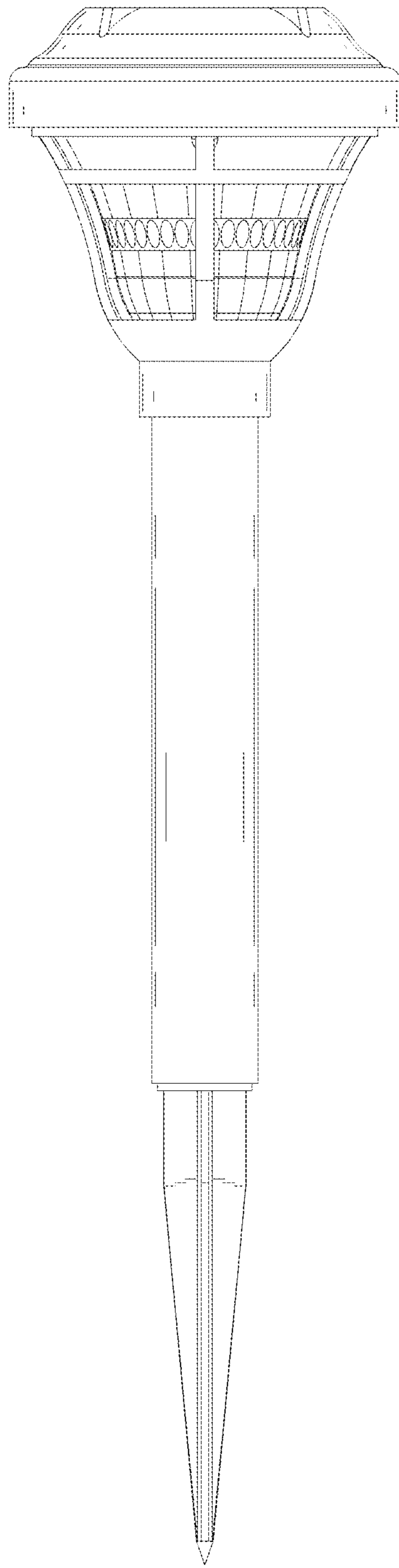


FIG.4

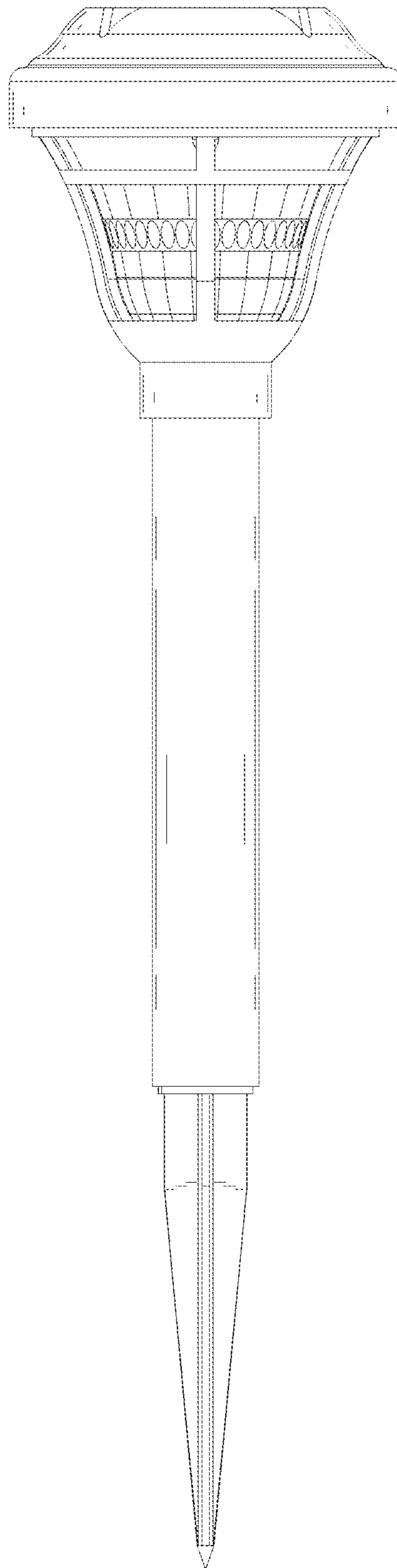


FIG.5

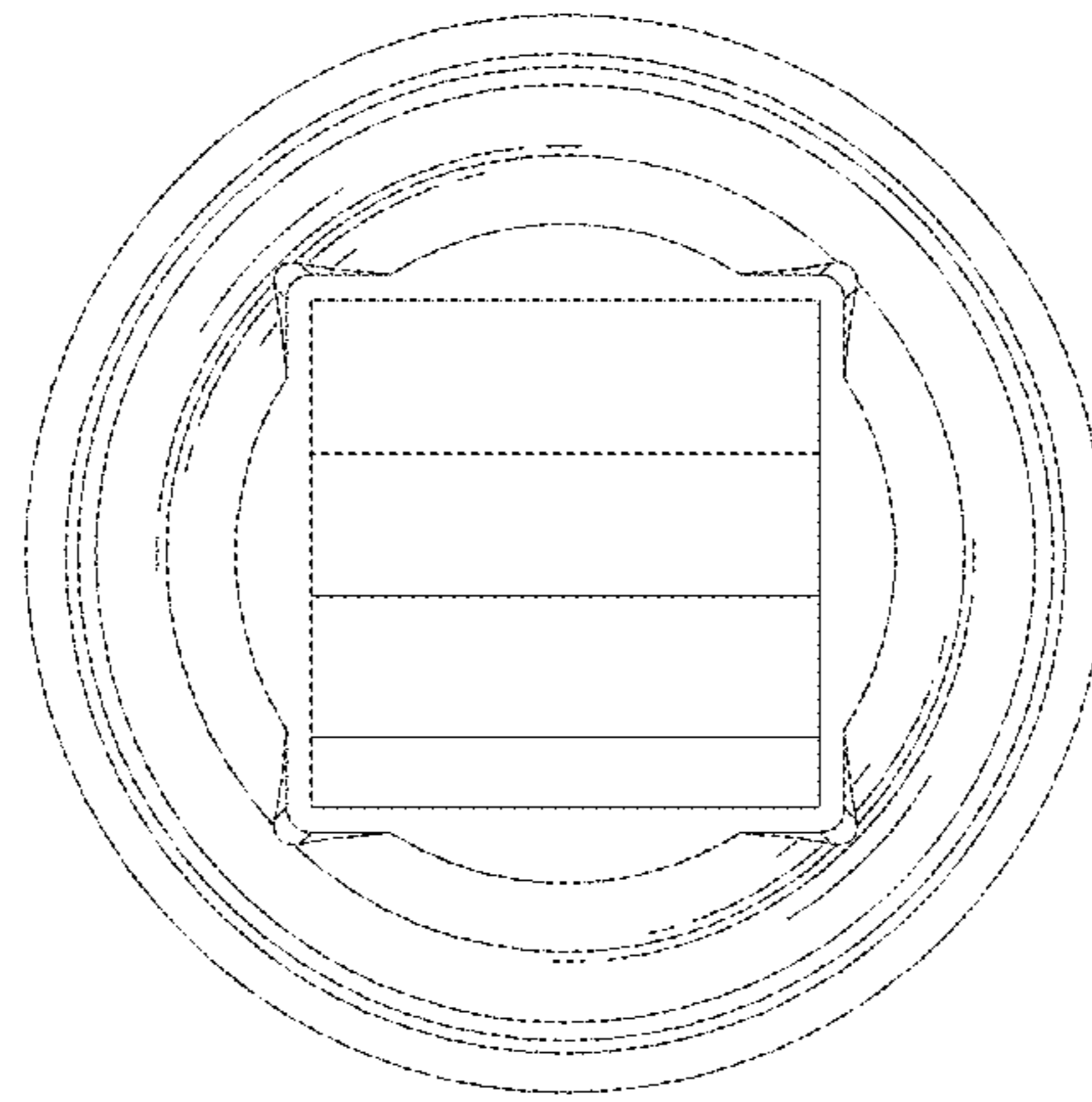


FIG.6

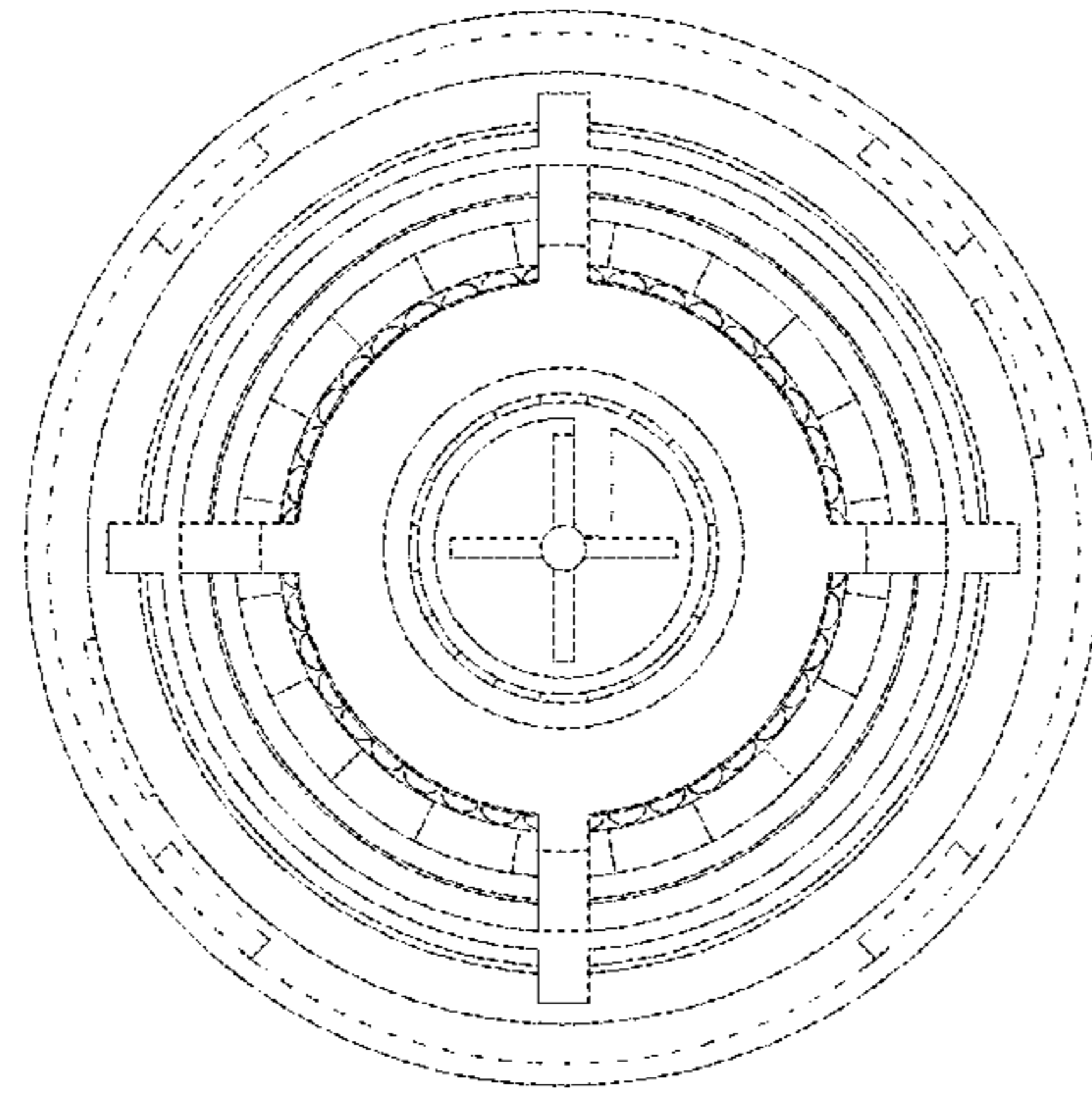


FIG. 7