



US00D973938S

(12) **United States Design Patent** (10) **Patent No.:** **US D973,938 S**
Harders (45) **Date of Patent:** **** Dec. 27, 2022**

(54) **LOW VOLTAGE LIGHT**
(71) Applicant: **Patrick Harders**, Sterling, VA (US)
(72) Inventor: **Patrick Harders**, Sterling, VA (US)
(**) Term: **15 Years**
(21) Appl. No.: **29/704,088**
(22) Filed: **Aug. 31, 2019**
(51) **LOC (13) Cl.** **26-05**
(52) **U.S. Cl.**
USPC **D26/67**
(58) **Field of Classification Search**
USPC D26/67, 72, 74, 85
CPC F21S 8/022; F21S 8/024; F21S 8/03; F21S
8/032; F21S 8/033; F21S 9/037; F21W
2131/107; F21W 2101/04; F21W
2111/027
See application file for complete search history.

D566,885 S * 4/2008 Mullen D26/123
D608,041 S * 1/2010 Hua D26/74
D674,127 S * 1/2013 Rowlette, Jr. D26/74
D867,319 S * 11/2019 Aaron D14/140.6

OTHER PUBLICATIONS

EAGLOD LED Low Voltage Landscape Lights, ASIN: B09JG9483W. Available from amazon.com Dec. 31, 2021. (Year: 2021).*
ALEDECO 4 Pack 3w 12v Low Voltage In-ground Lights, ASIN: B07W5YDQVP. Available from amazon.com Aug. 9, 2019. (Year: 2019).*
AQ Lighting 12V Cast Brass In Ground Mini Well Light PGDX707, available from aqlighting.com, visited Feb. 18, 2022. (Year: 2022).*

* cited by examiner

Primary Examiner — Clare E Heflin

(57) **CLAIM**

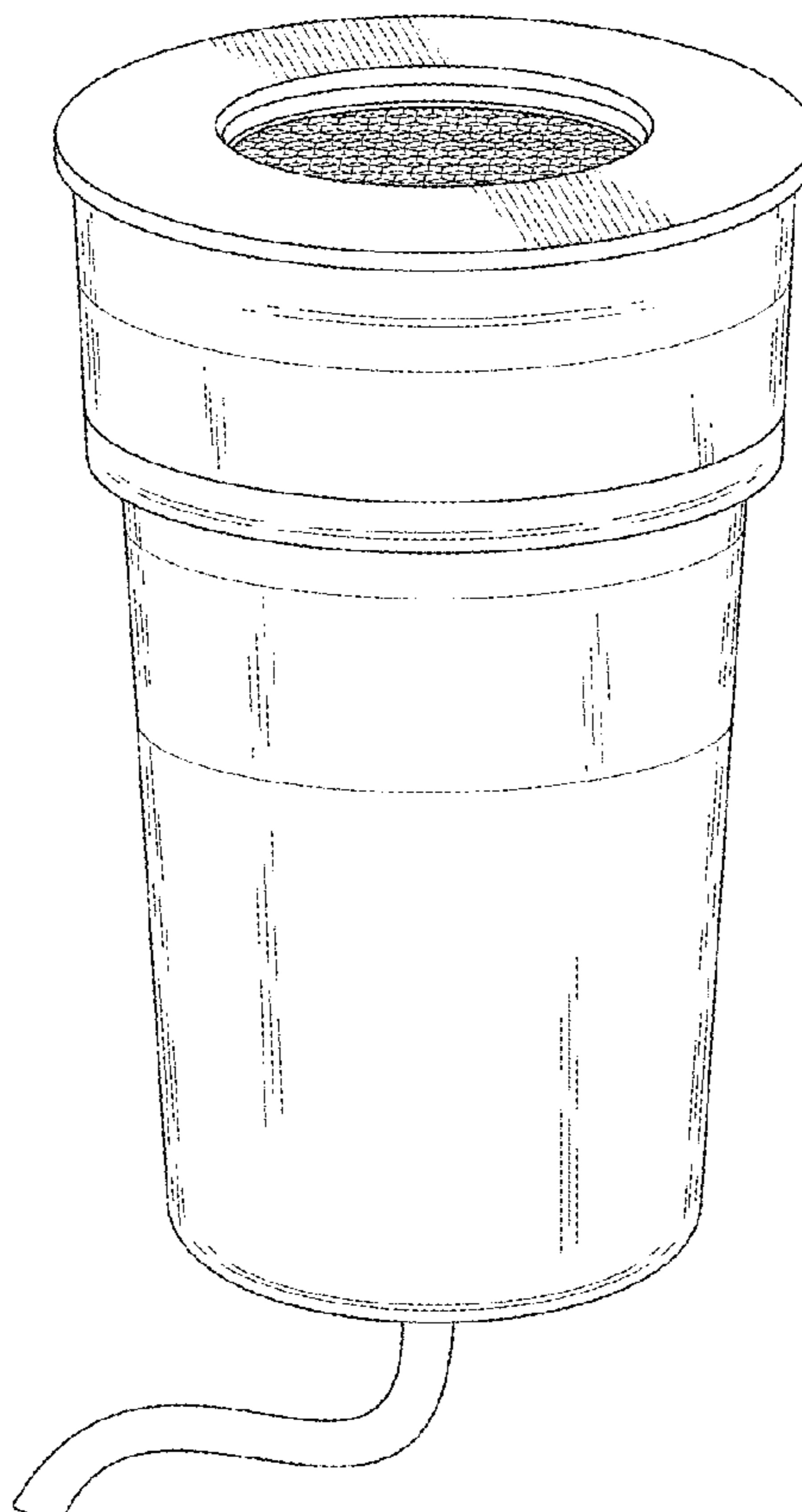
The ornamental design for a low-voltage light, as shown and described.

DESCRIPTION

FIG. 1 is a front isometric view of the low voltage light showing the design of the present invention; FIG. 2 is a left elevation view thereof; FIG. 3 is a right elevation view thereof; FIG. 4 is a top plan view thereof; and, FIG. 5 is a bottom plan view thereof.

1 Claim, 3 Drawing Sheets

(56) **References Cited**
U.S. PATENT DOCUMENTS
5,156,454 A * 10/1992 White F21V 19/007
362/153.1
D392,407 S * 3/1998 Johnson D26/104
D401,370 S * 11/1998 Fiorato D26/74
D411,640 S * 6/1999 Lueken D10/113.1
D421,316 S * 2/2000 Fiorato D26/74
D457,677 S * 5/2002 Landefeld D26/67



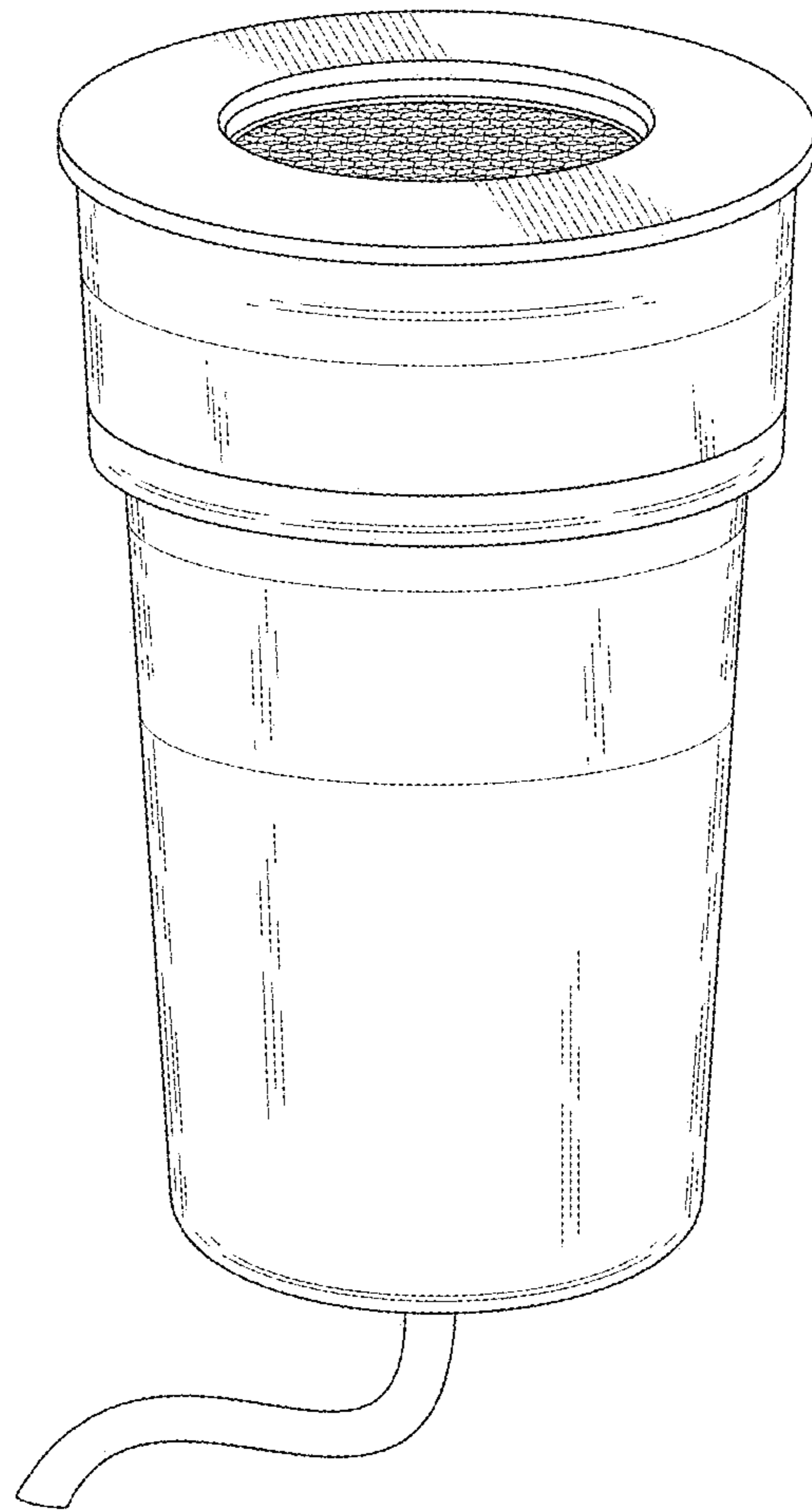


FIG. 1

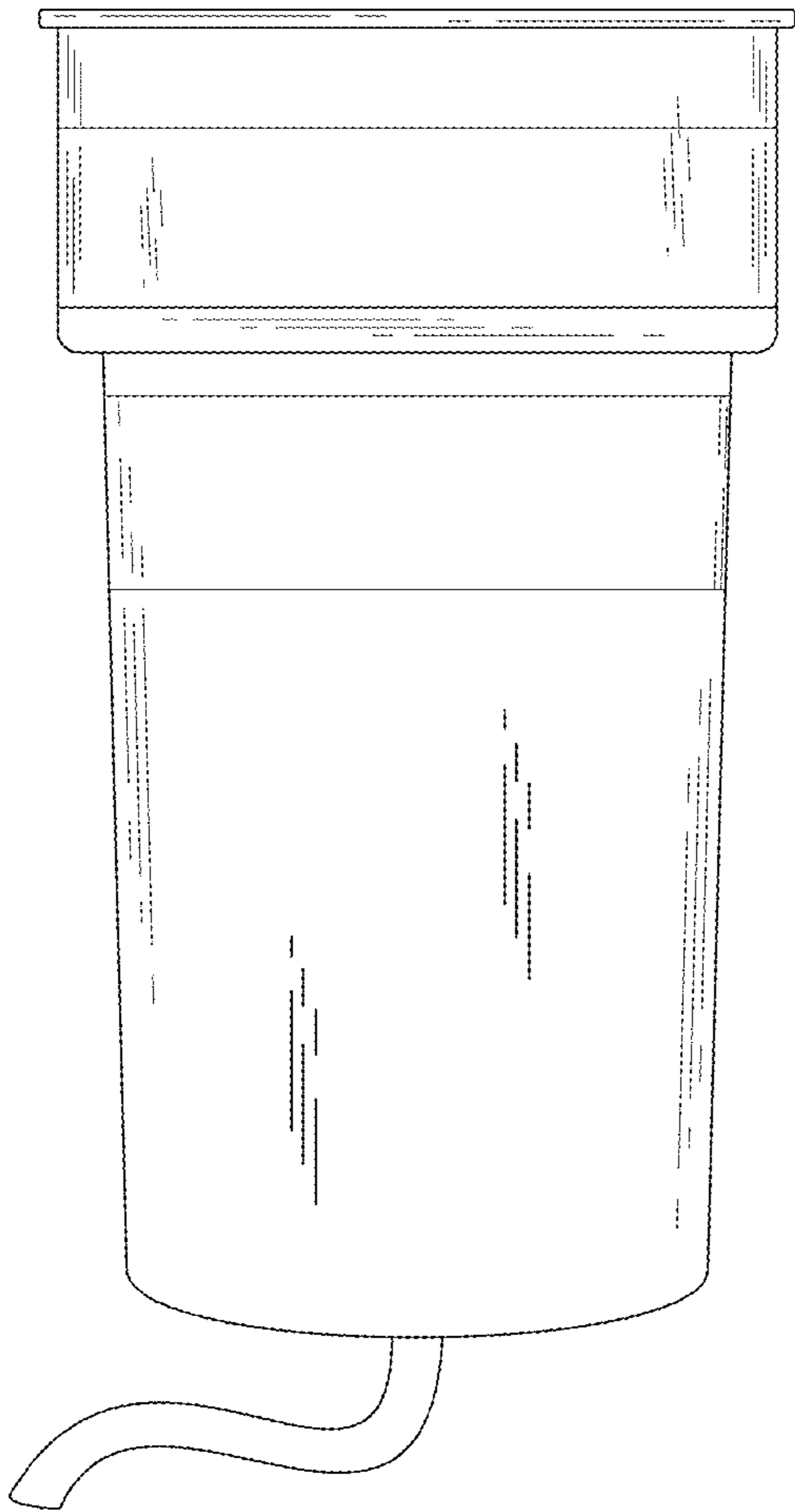


FIG. 2

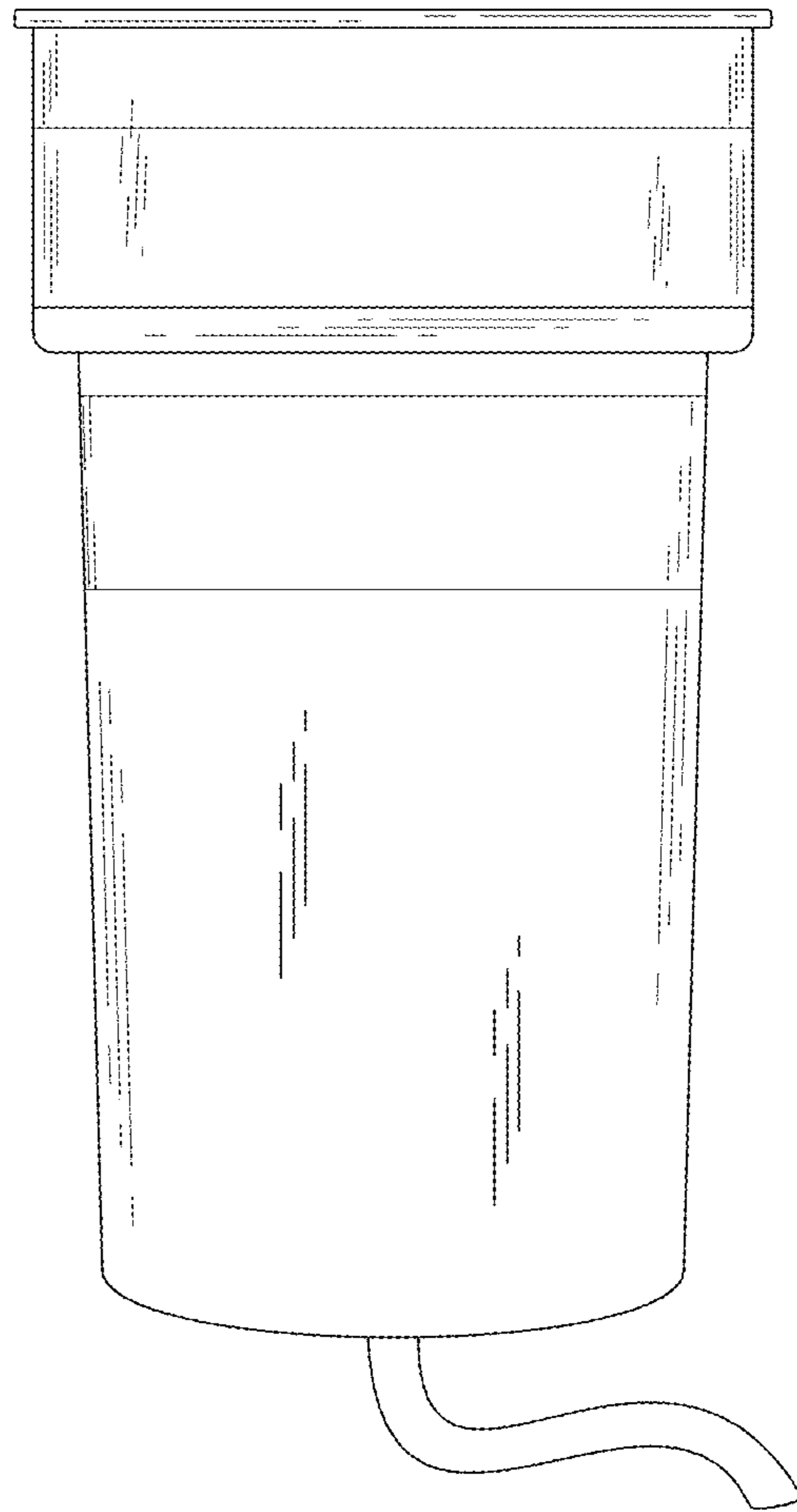


FIG. 3

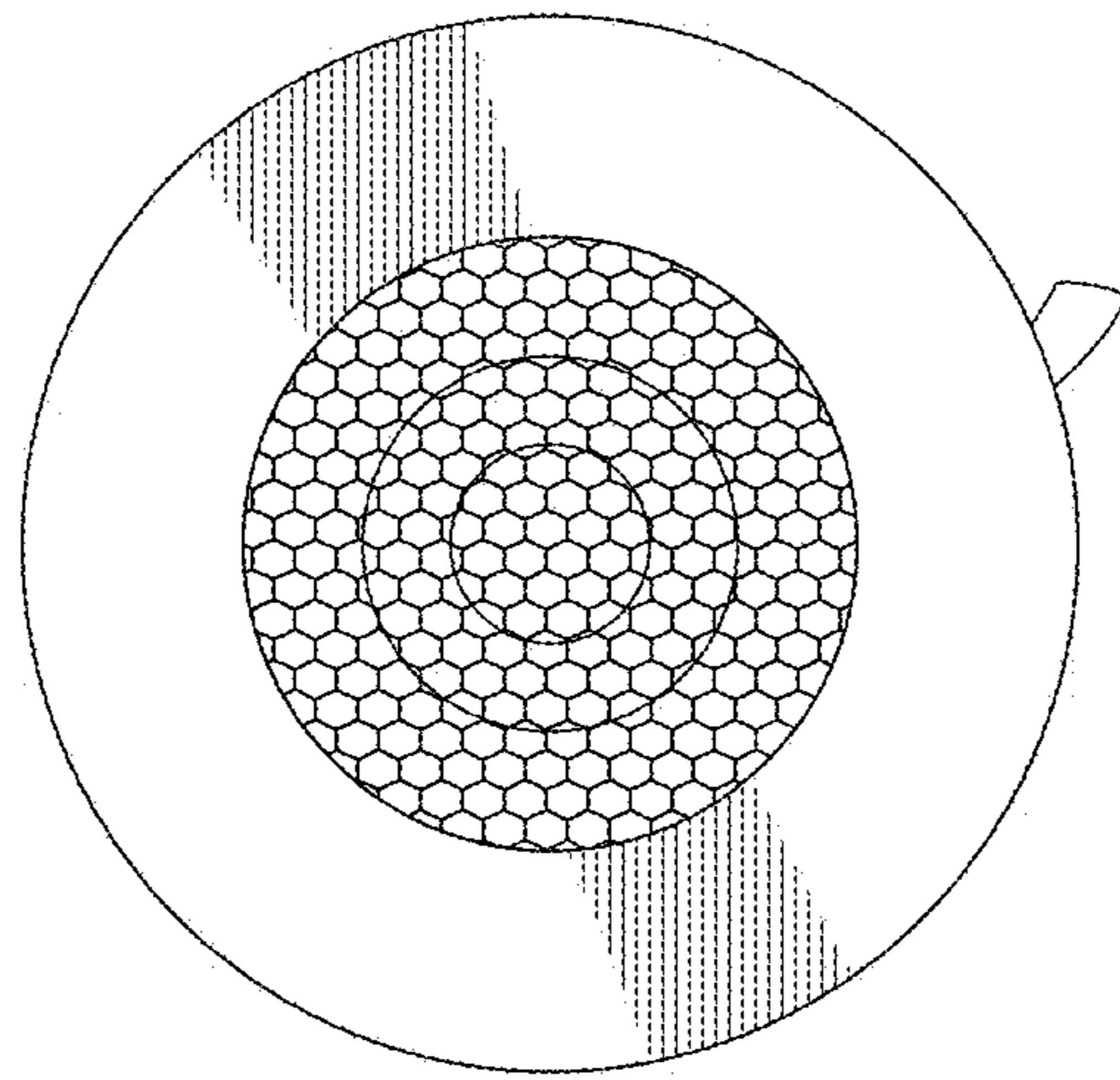


FIG. 4

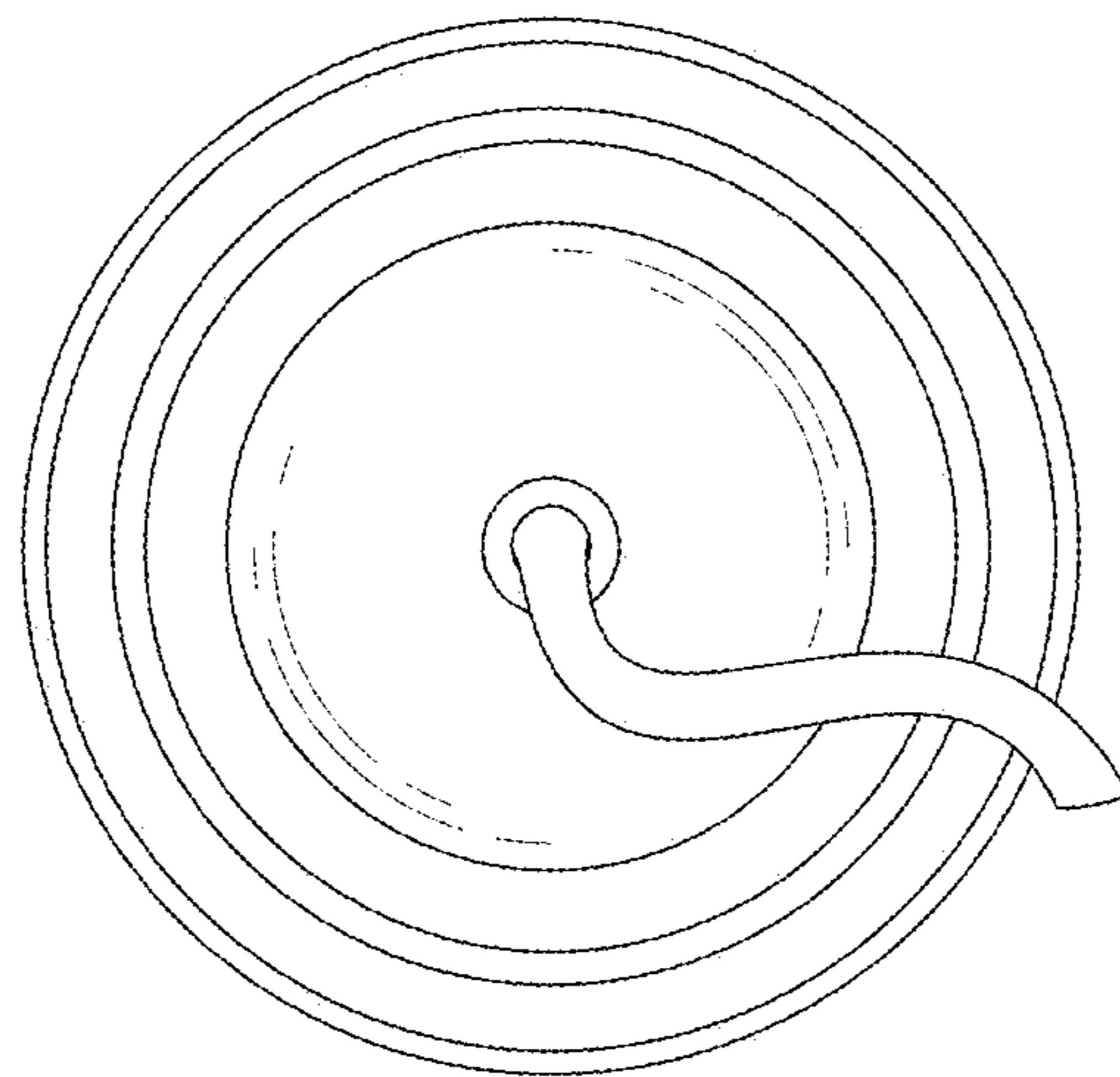


FIG. 5