



US00D973933S

(12) **United States Design Patent** (10) **Patent No.:** **US D973,933 S**  
**Wu** (45) **Date of Patent:** **\*\* Dec. 27, 2022**

(54) **FLASHLIGHT**

(71) Applicant: **Qingyun Wu**, Zhejiang (CN)

(72) Inventor: **Qingyun Wu**, Zhejiang (CN)

(\*\*) Term: **15 Years**

(21) Appl. No.: **29/821,970**

(22) Filed: **Jan. 5, 2022**

(51) **LOC (13) Cl.** ..... **26-02**

(52) **U.S. Cl.**  
USPC ..... **D26/49; D26/37**

(58) **Field of Classification Search**  
USPC ..... D26/8, 37-44, 46-52, 60-61;  
D10/111-115  
CPC . F21L 2001/00; F21L 4/02; F21L 4/04; F21L  
4/005; F21L 4/022; F21L 4/045; F21L  
4/085; F21L 21/00; F21L 14/02; F21L  
14/023

See application file for complete search history.

(56) **References Cited**

**U.S. PATENT DOCUMENTS**

D674,943 S *	1/2013	Sheikh	.....	F21L 4/00 D22/117
D702,384 S *	4/2014	Stewart	.....	D26/49
D709,234 S *	7/2014	Inskeep	.....	D26/49
D719,694 S *	12/2014	Nawaz	.....	D22/117
D739,060 S *	9/2015	Chouprinov	.....	D22/117
D745,200 S *	12/2015	Inskeep	.....	D26/49
D745,732 S *	12/2015	Inskeep	.....	D26/49
D745,987 S *	12/2015	Nawaz	.....	D22/117
D858,834 S *	9/2019	Huang	.....	D26/49
D889,011 S *	6/2020	Hong	.....	D26/49
D897,581 S *	9/2020	Qiu	.....	D26/49
D899,646 S *	10/2020	Shan	.....	D26/49
D899,647 S *	10/2020	Shan	.....	D26/49
D900,368 S *	10/2020	Petrucelli	.....	D26/49
D921,947 S *	6/2021	Shan	.....	D26/49

D922,640 S *	6/2021	Lin	.....	D26/49
D922,642 S *	6/2021	Hu	.....	D26/49
D944,430 S *	2/2022	Wang	.....	D26/49
2012/0275143 A1 *	11/2012	Robinson	.....	F21L 4/005 362/184

(Continued)

**FOREIGN PATENT DOCUMENTS**

CN	306354191	*	2/2021
CN	306812938	*	9/2021
CN	307037115	*	12/2021

(Continued)

**OTHER PUBLICATIONS**

“Fenix Lighting,” Jul. 1, 2019, amazon.com, site visited Jul. 28, 2022, URL: <https://www.amazon.com/Fenix-Lighting-PD36R-Rechargeable-Flashlight/dp/B07WHV9W11> (Year: 2019).\*

(Continued)

*Primary Examiner* — Christy Nemeth  
*Assistant Examiner* — Sarah L Smith

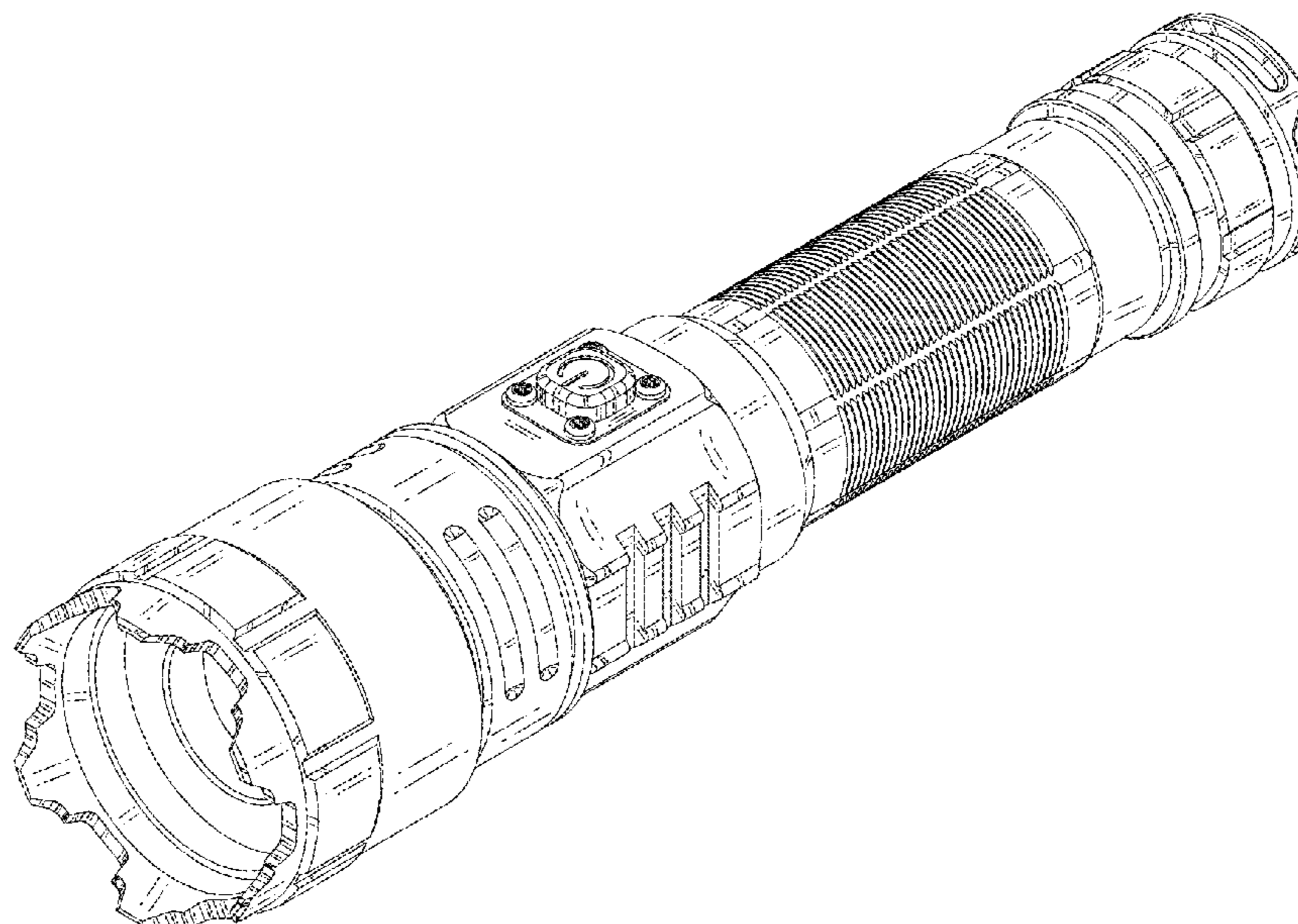
(57) **CLAIM**

The ornamental design for a flashlight, as shown and described.

**DESCRIPTION**

FIG. 1 is a perspective view of a flashlight showing my new design;  
FIG. 2 is a front elevational view thereof;  
FIG. 3 is a rear elevational view thereof;  
FIG. 4 is a left side elevational view thereof;  
FIG. 5 is a right side elevational view thereof;  
FIG. 6 is a top plan view thereof; and,  
FIG. 7 is a bottom plan view thereof.  
The broken lines throughout the drawing figures depict portions of the flashlight that form no part of the claimed design.

**1 Claim, 7 Drawing Sheets**



(56)

**References Cited**

U.S. PATENT DOCUMENTS

2017/0067605 A1\* 3/2017 Kuo ..... F41H 13/0087  
2021/0108891 A1\* 4/2021 Ma ..... F41G 11/003

FOREIGN PATENT DOCUMENTS

DE 202017102287 U1\* 8/2017  
KR 20090021832 A\* 3/2009  
WO WO-2011059849 A2\* 5/2011 ..... F21L 4/005

OTHER PUBLICATIONS

“Prekull LED Torch,” Dec. 11, 2020, amazon.com, site visited Jul. 28, 2022, URL: <https://www.amazon.com/prekull-Flashlight-Highlight-Waterproof-Detection/dp/B08QCFXY6J> (Year: 2020).\*

“Strong Light Flashlight,” Oct. 22, 2021, amazon.com, site visited Jul. 28, 2022, URL: <https://www.amazon.com/Flashlight-Focusing-Accessories-Emergency-Flashlights/dp/B09K3KVYKD?th=1> (Year: 2021).\*

\* cited by examiner

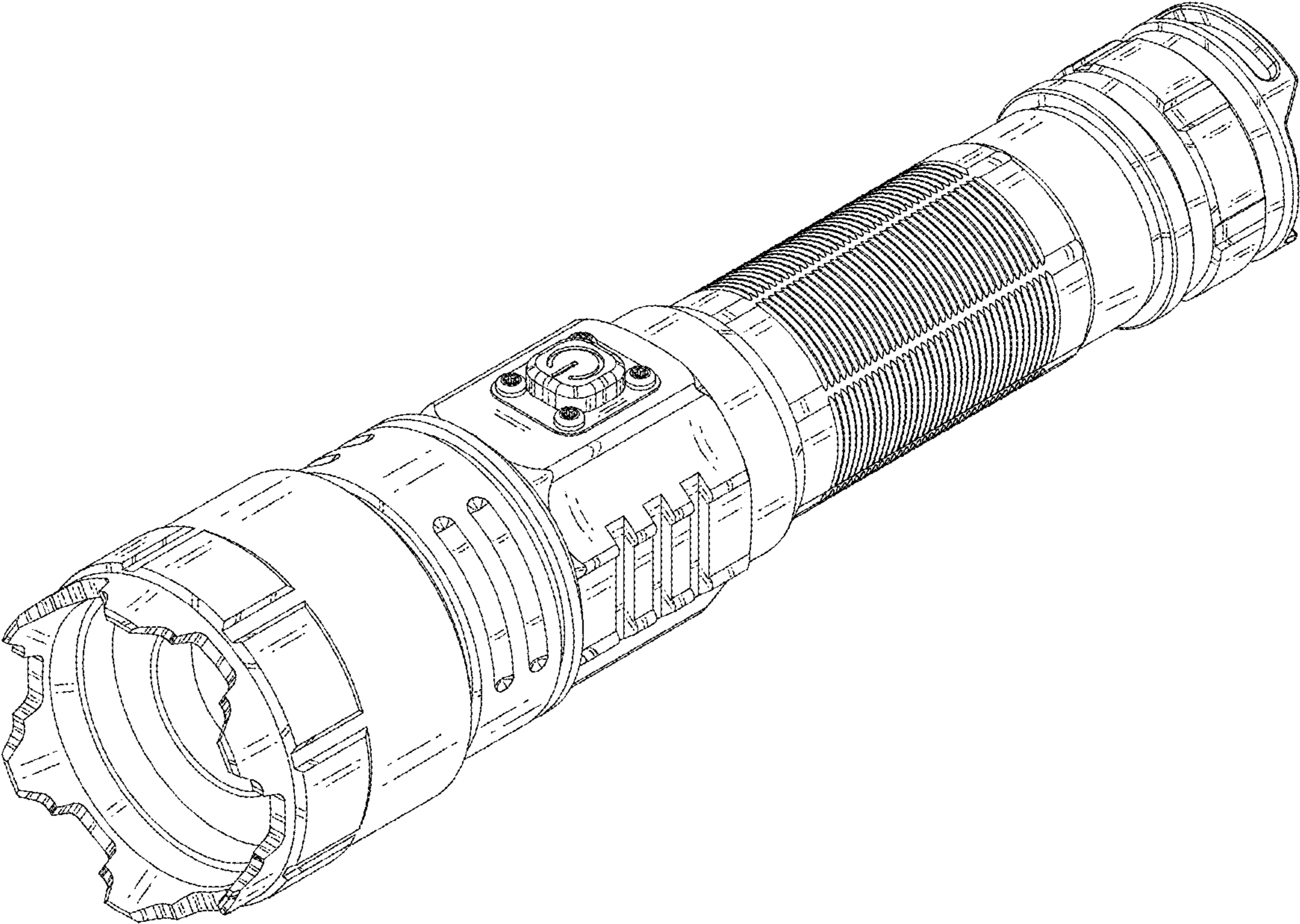


FIG.1

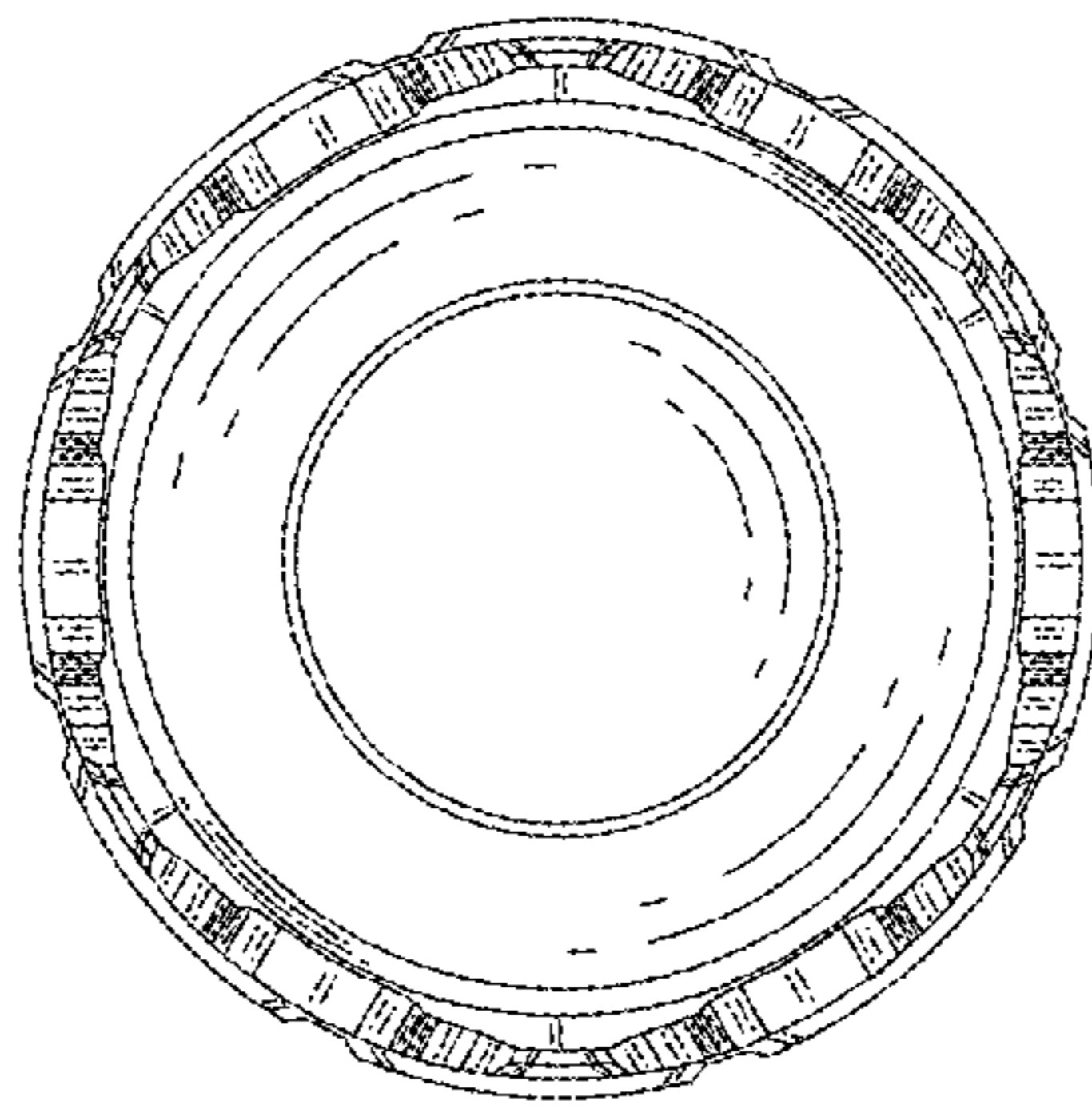


FIG.2

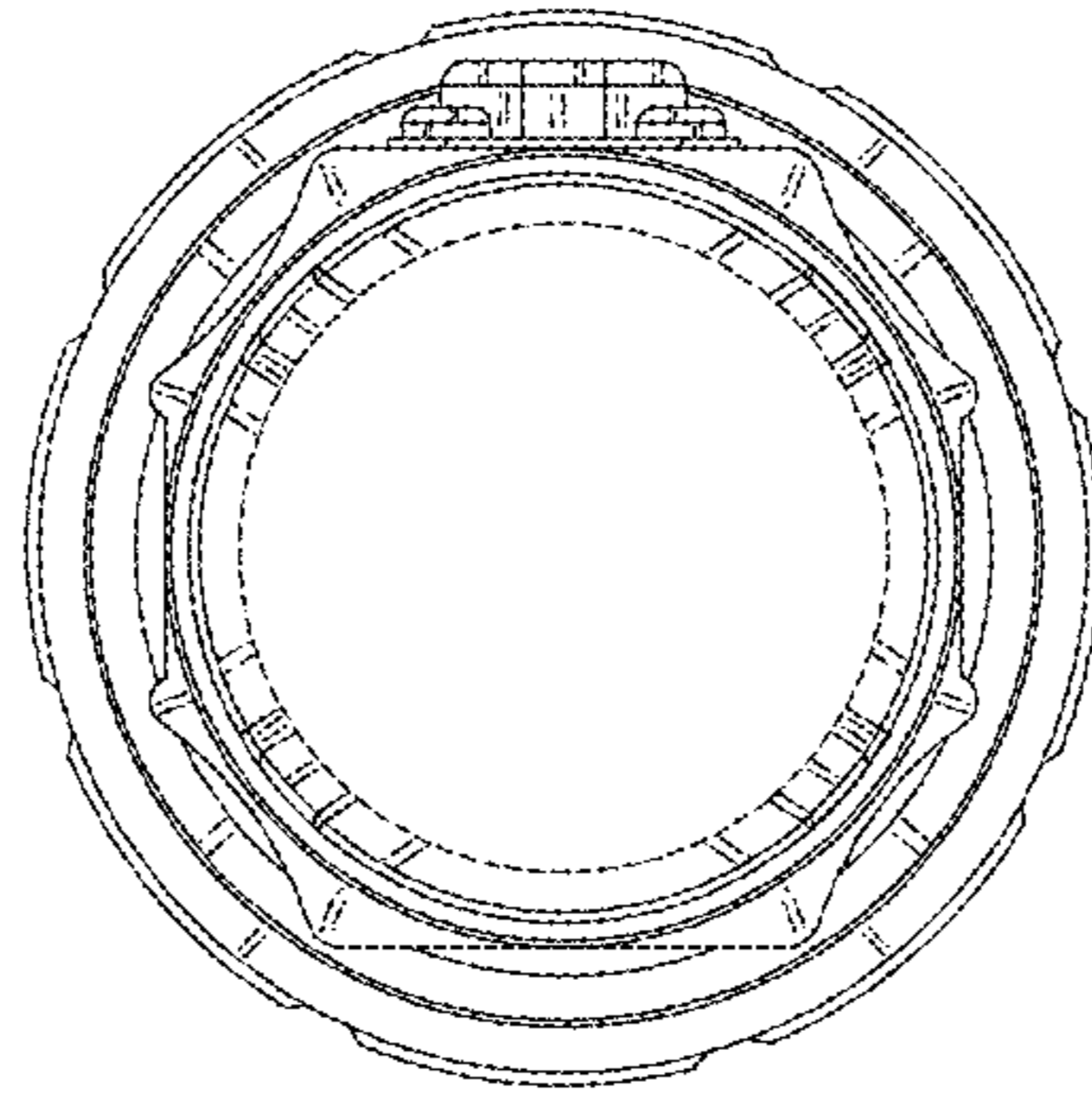


FIG.3

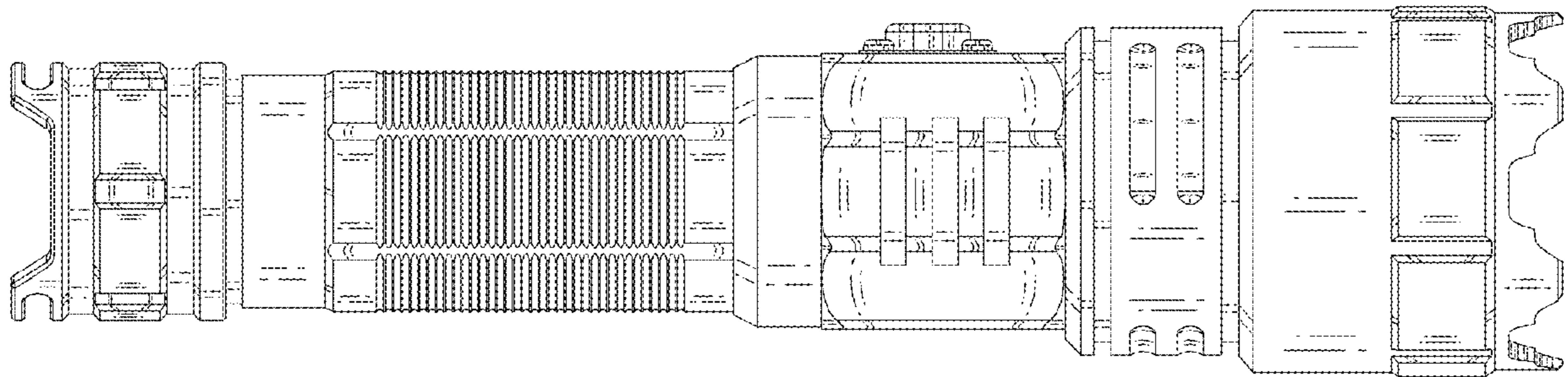


FIG.4

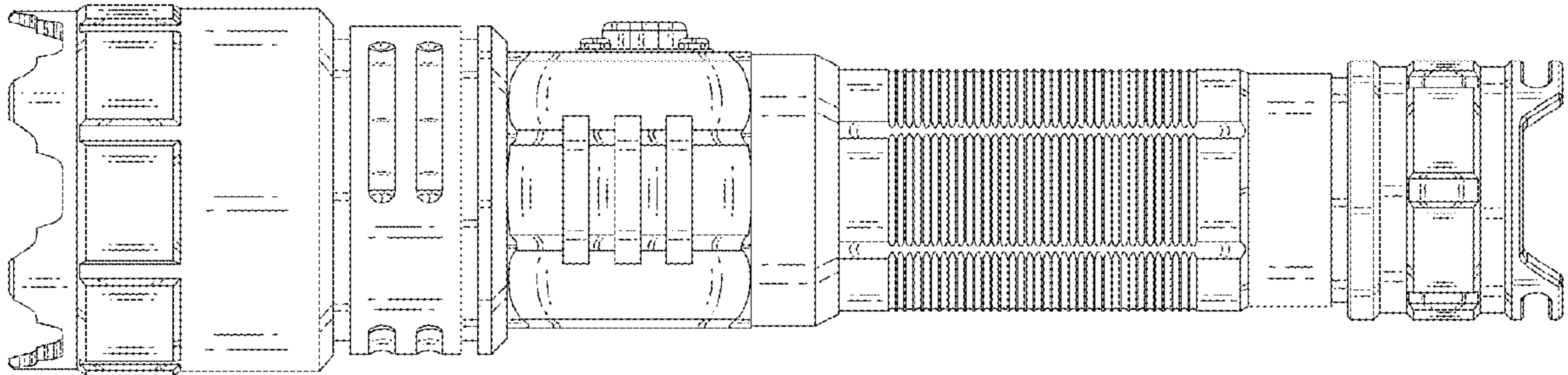


FIG.5

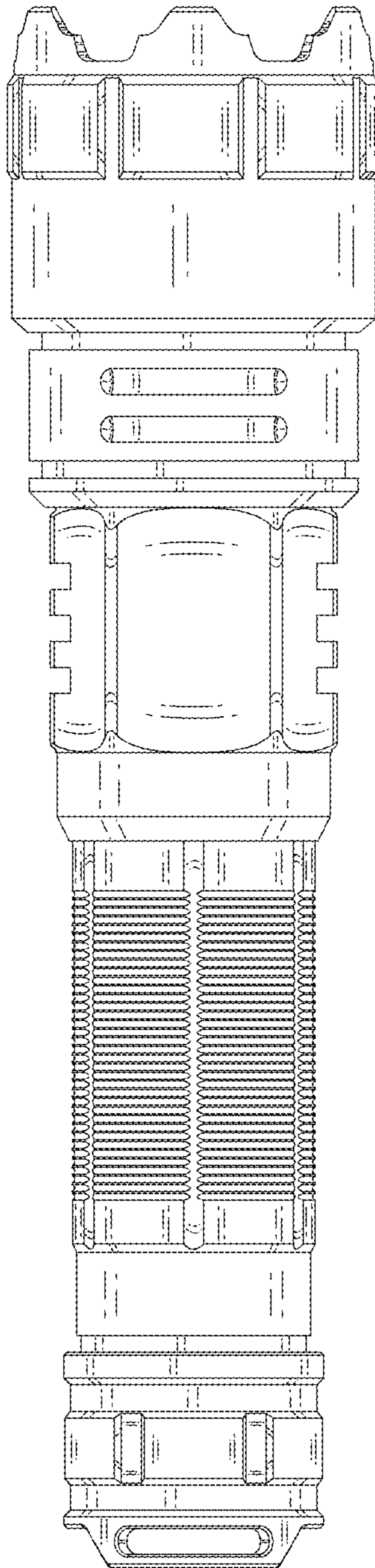


FIG.6



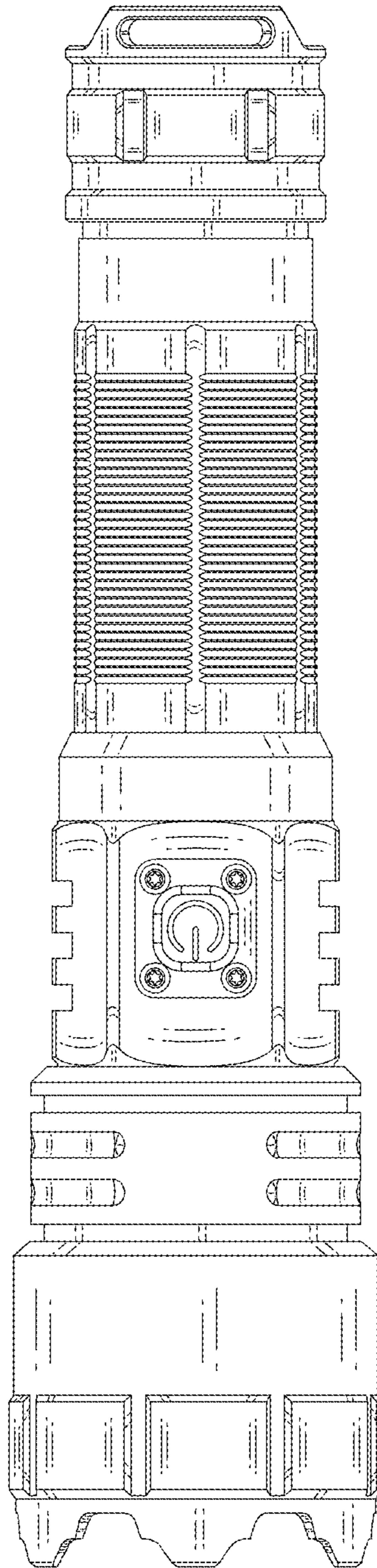


FIG.7