



US00D973931S

(12) **United States Design Patent** (10) **Patent No.:** **US D973,931 S**
Ryu et al. (45) **Date of Patent:** **** Dec. 27, 2022**

(54) **HEAD LAMP FOR VEHICLES**

(56) **References Cited**

(71) Applicants: **HYUNDAI MOTOR COMPANY**,
Seoul (KR); **KIA CORPORATION**,
Seoul (KR)

U.S. PATENT DOCUMENTS

(72) Inventors: **Seajae Ryu**, Ulsan (KR); **Byungkyu Park**,
Pyeongtaek-si (KR); **Kyungho Kim**, Goyang-si (KR)

D701,983	S	*	4/2014	Kong	D26/28
D705,966	S	*	5/2014	Park	D26/28
D736,971	S	*	8/2015	Duff	D26/28
D755,420	S	*	5/2016	Ko	D26/28
D780,966	S	*	3/2017	Binder	D26/28
D819,243	S	*	5/2018	Nakagawa	D26/28
D851,295	S	*	6/2019	Whang	D26/28
D910,891	S	*	2/2021	Tseug	D26/28
D946,183	S	*	3/2022	Kim	D26/28
D951,501	S	*	5/2022	Hirai	D26/28
D952,918	S	*	5/2022	Jegal	D26/28

(73) Assignees: **Hyundai Motor Company**, Seoul
(KR); **Kia Corporation**, Seoul (KR)

(Continued)

(**) Term: **15 Years**

Primary Examiner — Angela J Lee

(21) Appl. No.: **35/512,362**

(74) *Attorney, Agent, or Firm* — Fox Rothschild LLP

(22) Filed: **Jul. 16, 2021**

(57) **CLAIM**

(80) **Hague Agreement Data**

The ornamental design for a head lamp for vehicles, as shown and described.

Int. Filing Date: **Jul. 16, 2021**

DESCRIPTION

Int. Reg. No.: **DM/215602**

Int. Reg. Date: **Jul. 16, 2021**

Int. Reg. Pub. Date: **Aug. 13, 2021**

(30) **Foreign Application Priority Data**

Mar. 29, 2021 (KR) 30-2021-0015036

(51) **LOC (13) Cl.** **26-06**

(52) **U.S. Cl.**
USPC **D26/28**

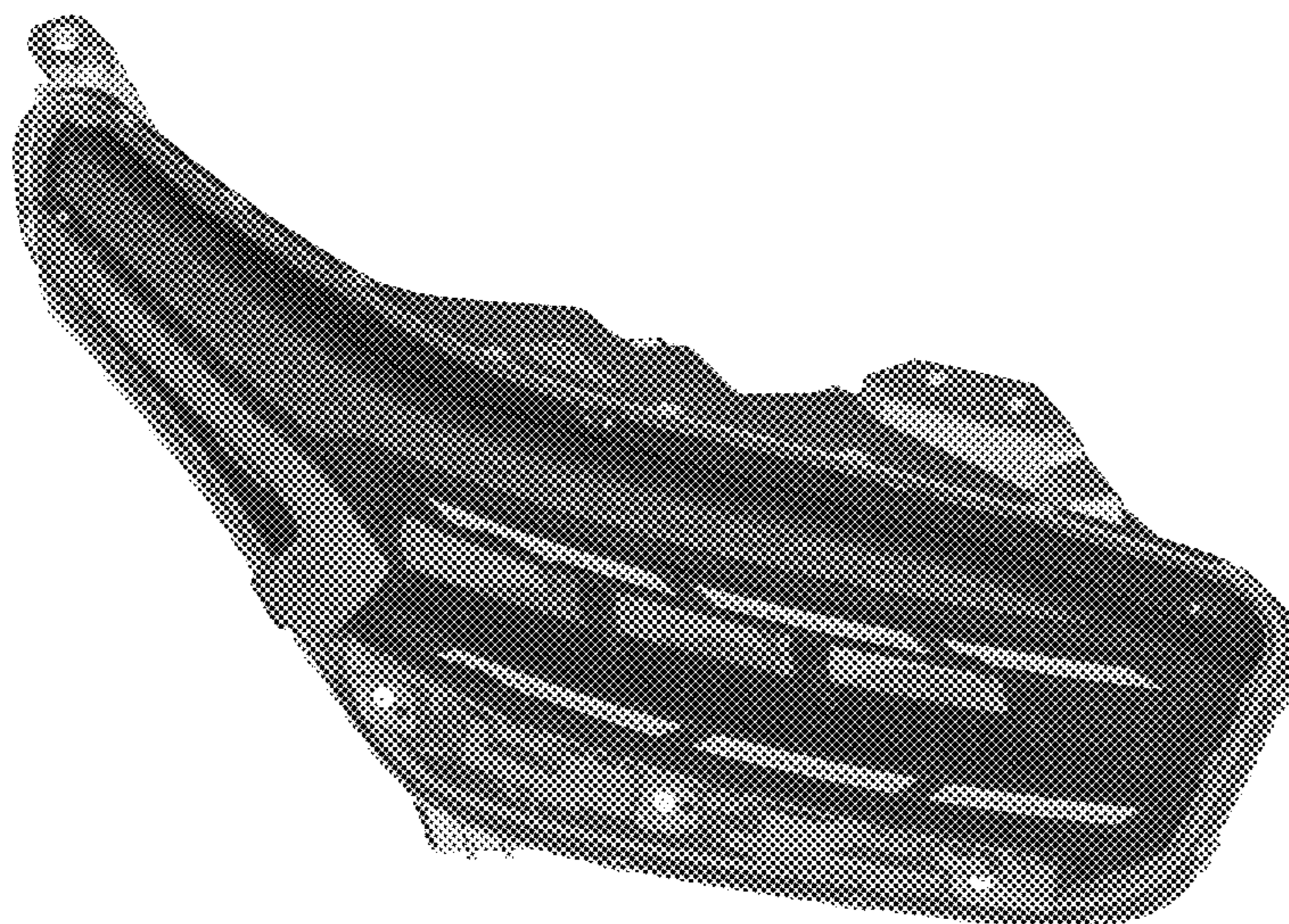
(58) **Field of Classification Search**
USPC D26/28, 29, 30, 31, 32, 33, 34, 35, 36
CPC F21W 2103/35; F21W 2103/40; F21W
2102/17; F21W 2102/30; F21W 2103/00;
F21W 2103/55; F21W 2104/00; F21W
2107/17; F21W 2107/13; F21S 41/00;
F21S 41/141; F21S 41/162; F21S 41/18;
F21S 41/20; F21S 41/33; F21S 41/36;
F21S 41/60; F21S 43/00; F21V 21/04

See application file for complete search history.

- 1. Head lamp for vehicles
- 1.1 : Perspective
- 1.2 : Front
- 1.3 : Back
- 1.4 : Right
- 1.5 : Left
- 1.6 : Top
- 1.7 : Bottom
- 1.8 : Perspective

1.1 is a top, front, and right side perspective view of a head lamp for vehicles embodying our new design; 1.2 is a front elevation view thereof; 1.3 is a rear elevation view thereof; 1.4 is a right side elevation view thereof; 1.5 is a left side elevation view thereof; 1.6 is a top plan view thereof; 1.7 is a bottom plan view thereof; and 1.8 is a top, rear, and left side perspective view thereof; this article is installed on a left and right side of the front of vehicles to improve a driver's visibility at night or in case of rain.

1 Claim, 8 Drawing Sheets



(56)

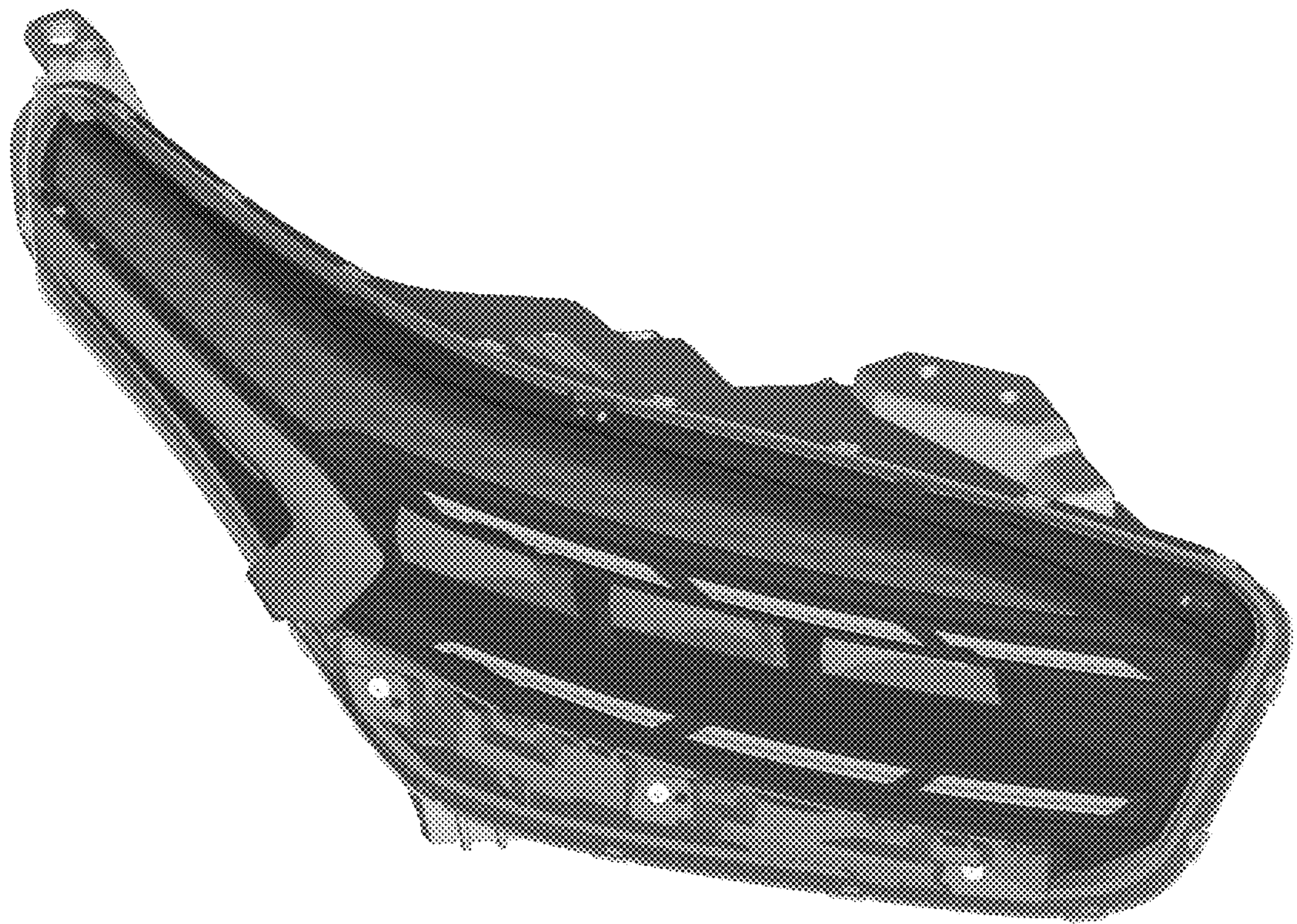
References Cited

U.S. PATENT DOCUMENTS

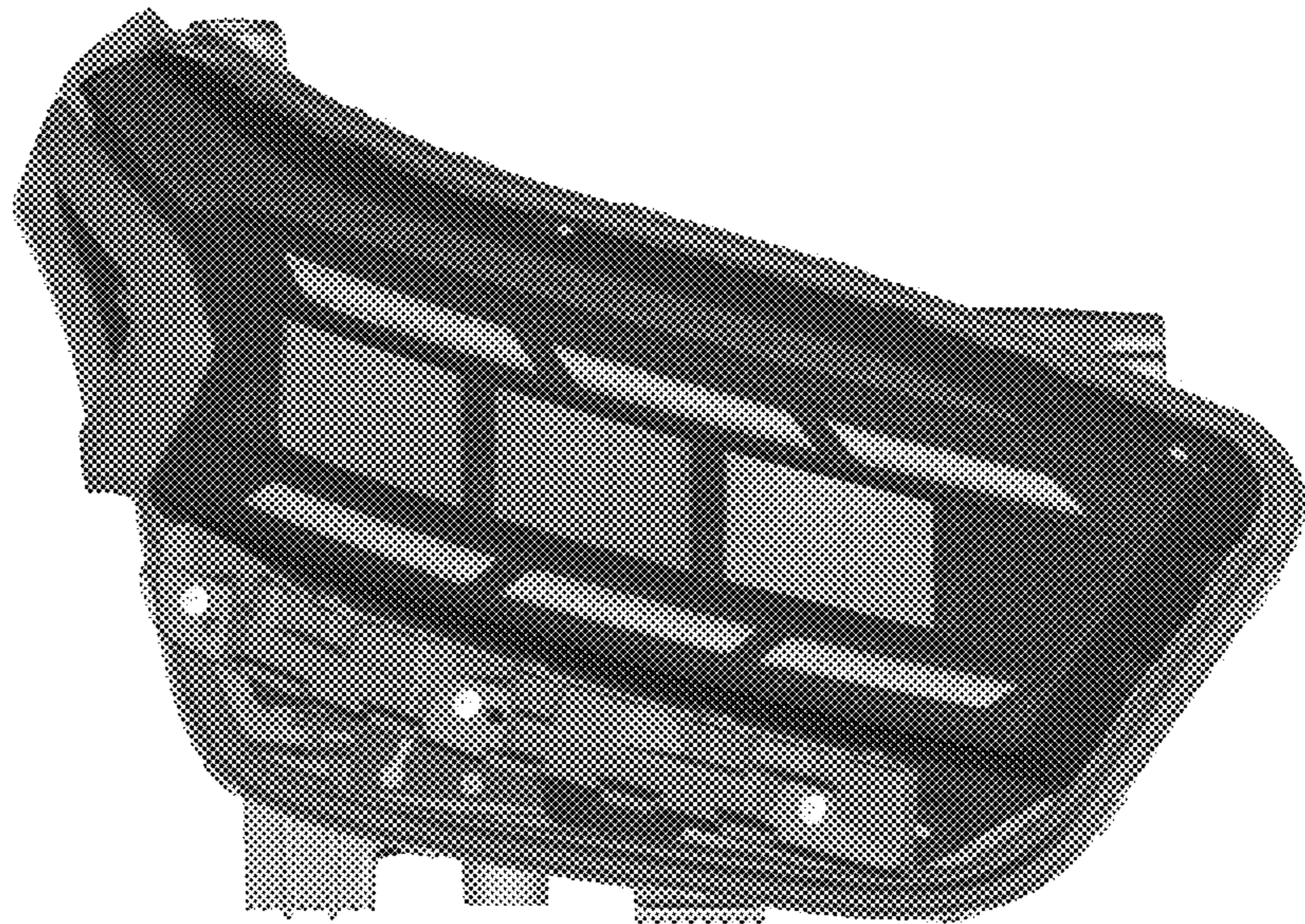
D956,280 S * 6/2022 Choi D26/28
D957,016 S * 7/2022 Lee D26/28

* cited by examiner

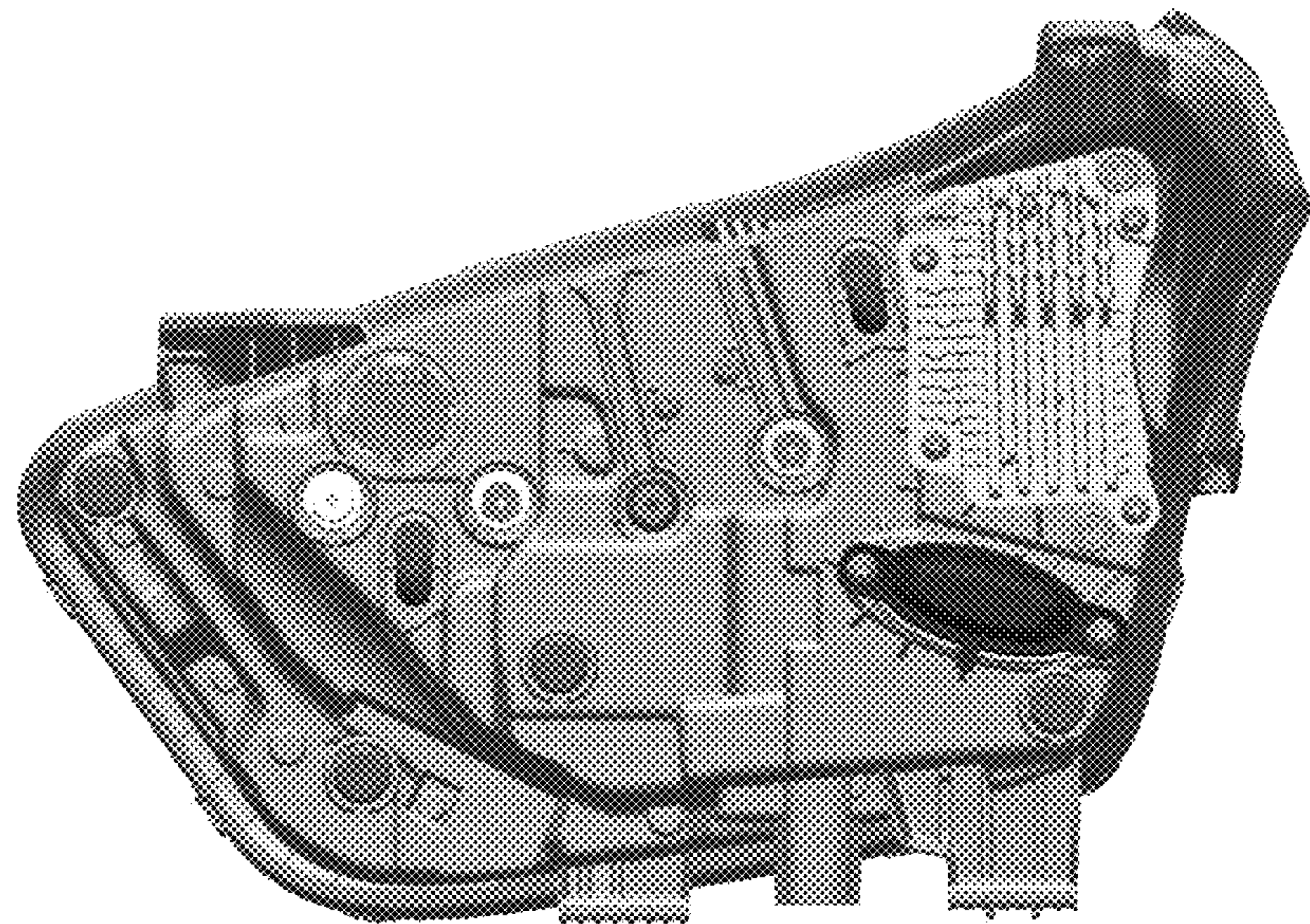
1.1



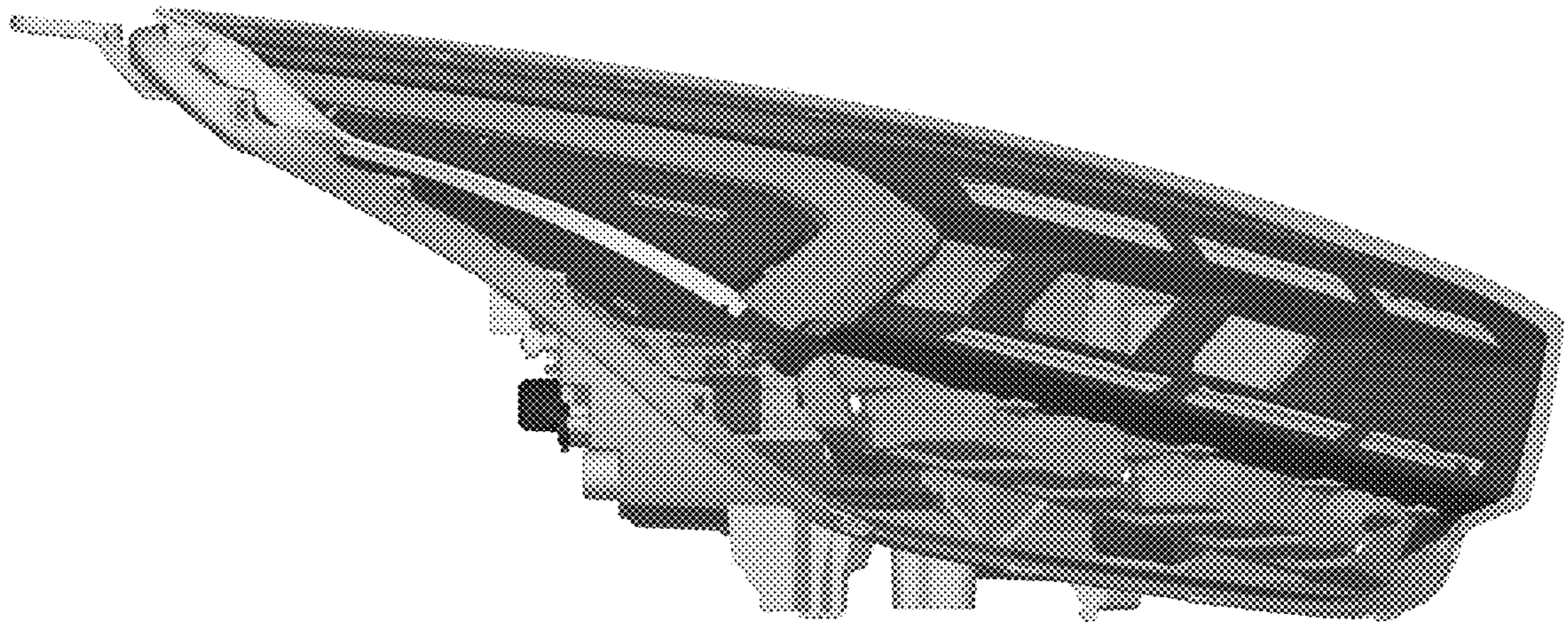
1.2



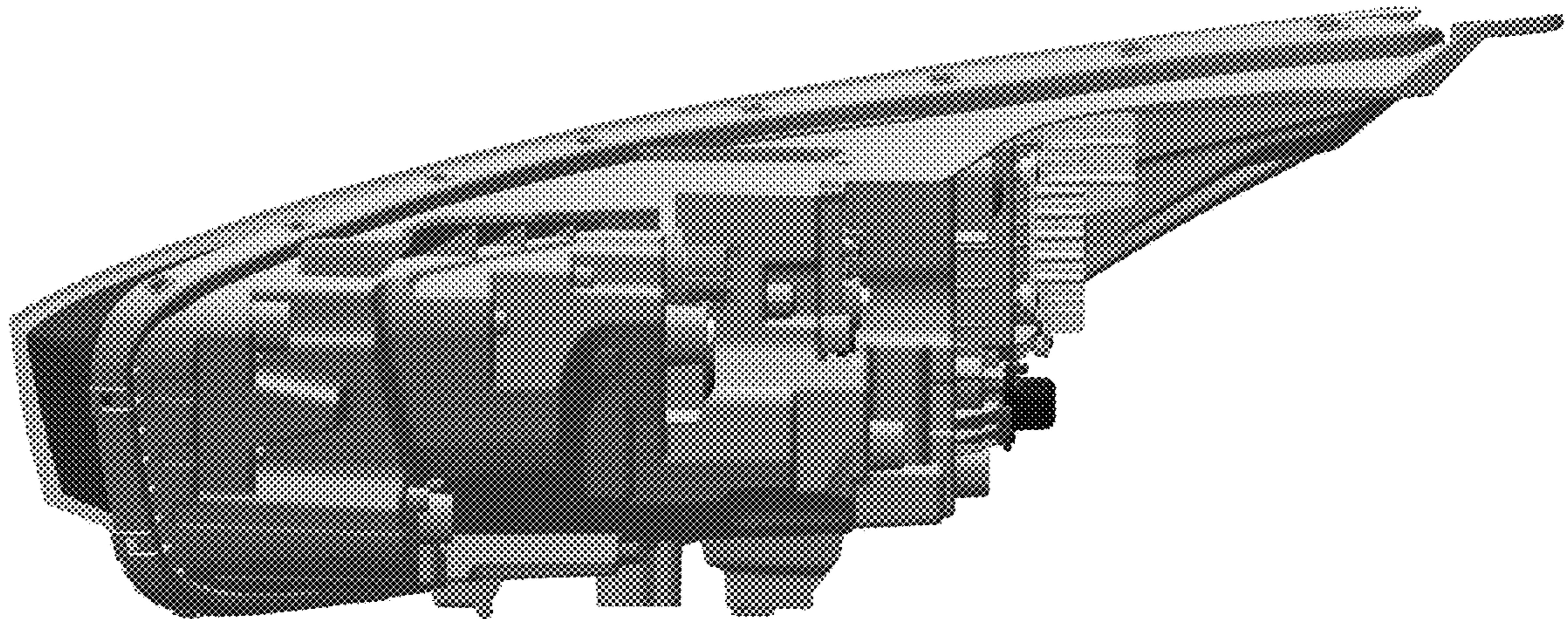
1.3



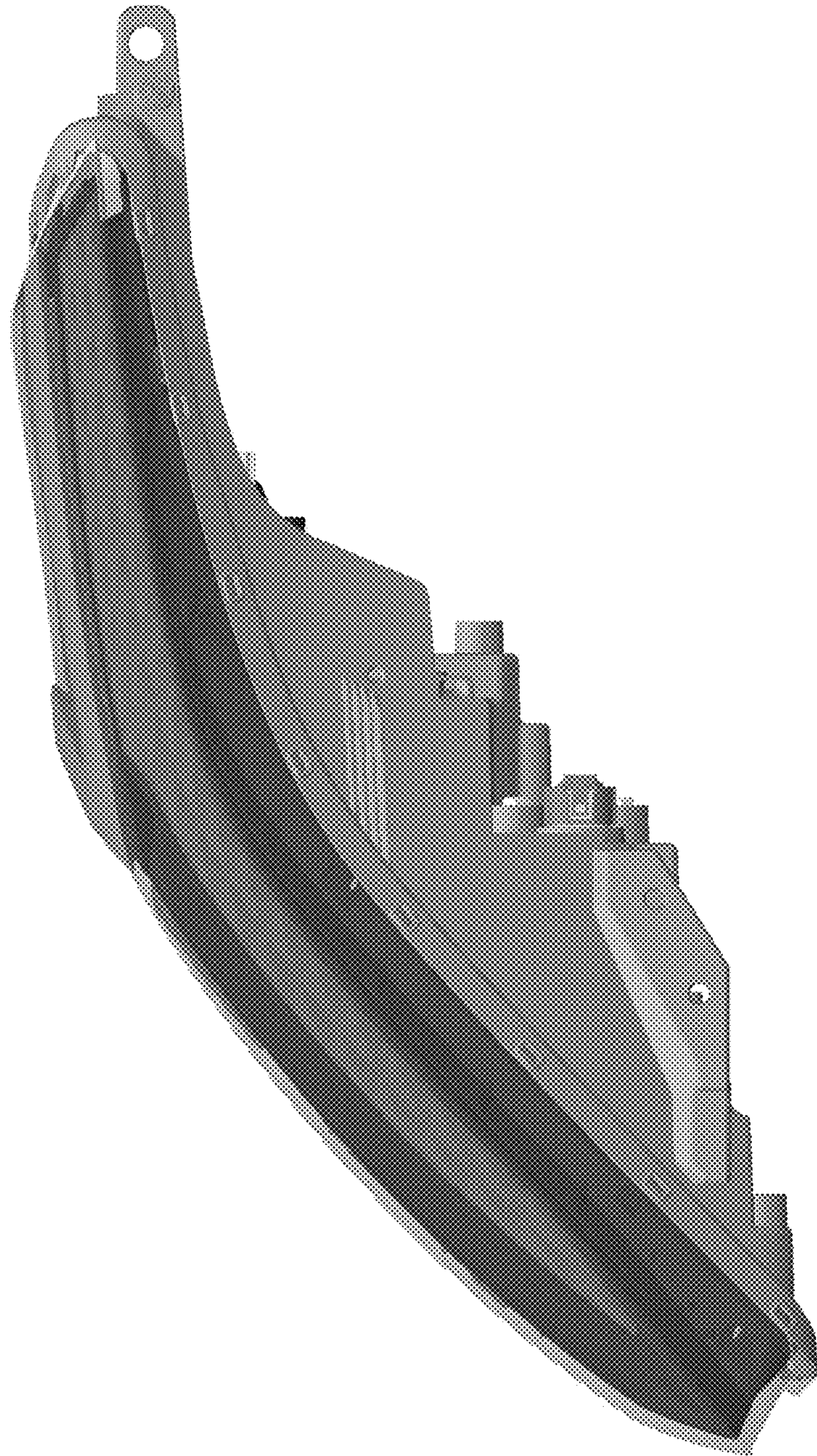
1.4



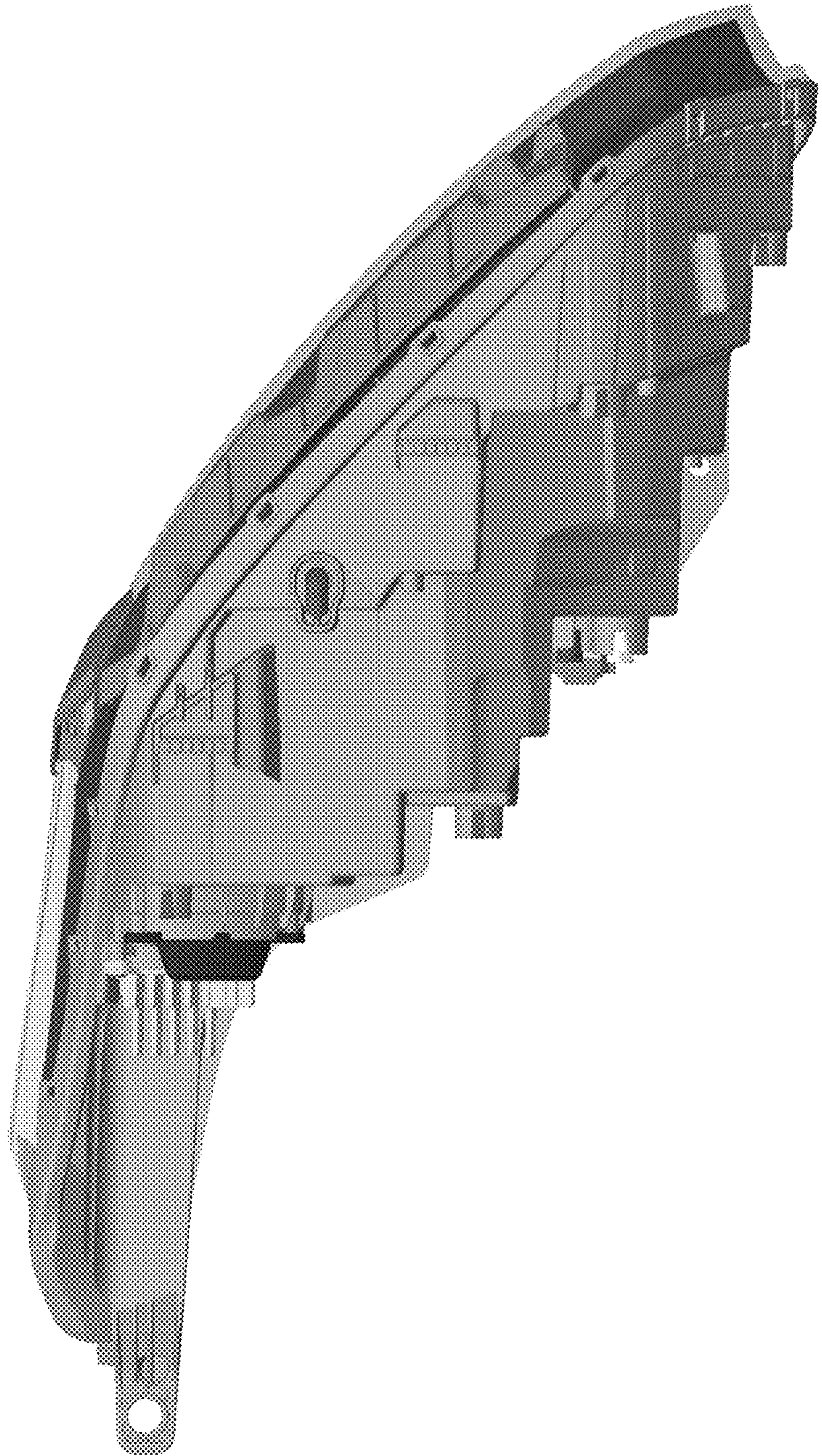
1.5



1.6



1.7



1.8

