

US00D973930S

(12) **United States Design Patent**
Lin

(10) **Patent No.:** **US D973,930 S**

(45) **Date of Patent:** **** Dec. 27, 2022**

(54) **AUTOMOBILE HEADLIGHT**

(71) Applicant: **Chi-Chung Lin**, Hsinchu (TW)

(72) Inventor: **Chi-Chung Lin**, Hsinchu (TW)

(**) Term: **15 Years**

(21) Appl. No.: **29/780,379**

(22) Filed: **Apr. 23, 2021**

(51) **LOC (13) Cl.** **26-06**

(52) **U.S. Cl.**
USPC **D26/28**

(58) **Field of Classification Search**
USPC D26/28, 29, 30, 31, 32, 33, 34, 35, 36
CPC F21W 2103/35; F21W 2103/40; F21W
2102/17; F21W 2102/30; F21W 2103/00;
F21W 2103/55; F21W 2104/00; F21W
2107/17; F21W 2107/13; F21S 41/00;
F21S 41/141; F21S 41/162; F21S 41/18;
F21S 41/20; F21S 41/33; F21S 41/36;
F21S 41/60; F21S 43/00; F21V 21/04
See application file for complete search history.

(56) **References Cited**

U.S. PATENT DOCUMENTS

D842,503 S * 3/2019 Yang D26/28
D887,046 S * 6/2020 Lin D26/28
D890,386 S * 7/2020 Wu D26/28

D892,368 S * 8/2020 Lin D26/28
D909,634 S * 2/2021 He D26/28
D925,796 S * 7/2021 Chen D26/28
D932,073 S * 9/2021 Lin D26/28
D932,670 S * 10/2021 Wu D26/28
D939,114 S * 12/2021 Chen D26/28
D950,802 S * 5/2022 Tsai D26/28
D952,912 S * 5/2022 Wu D26/28
D952,913 S * 5/2022 Wu D26/28
D954,308 S * 6/2022 Lin D26/28

* cited by examiner

Primary Examiner — Angela J Lee

(74) *Attorney, Agent, or Firm* — Alexander Chen, Esq.

(57) **CLAIM**

The ornamental design for an automobile headlight, as shown and described.

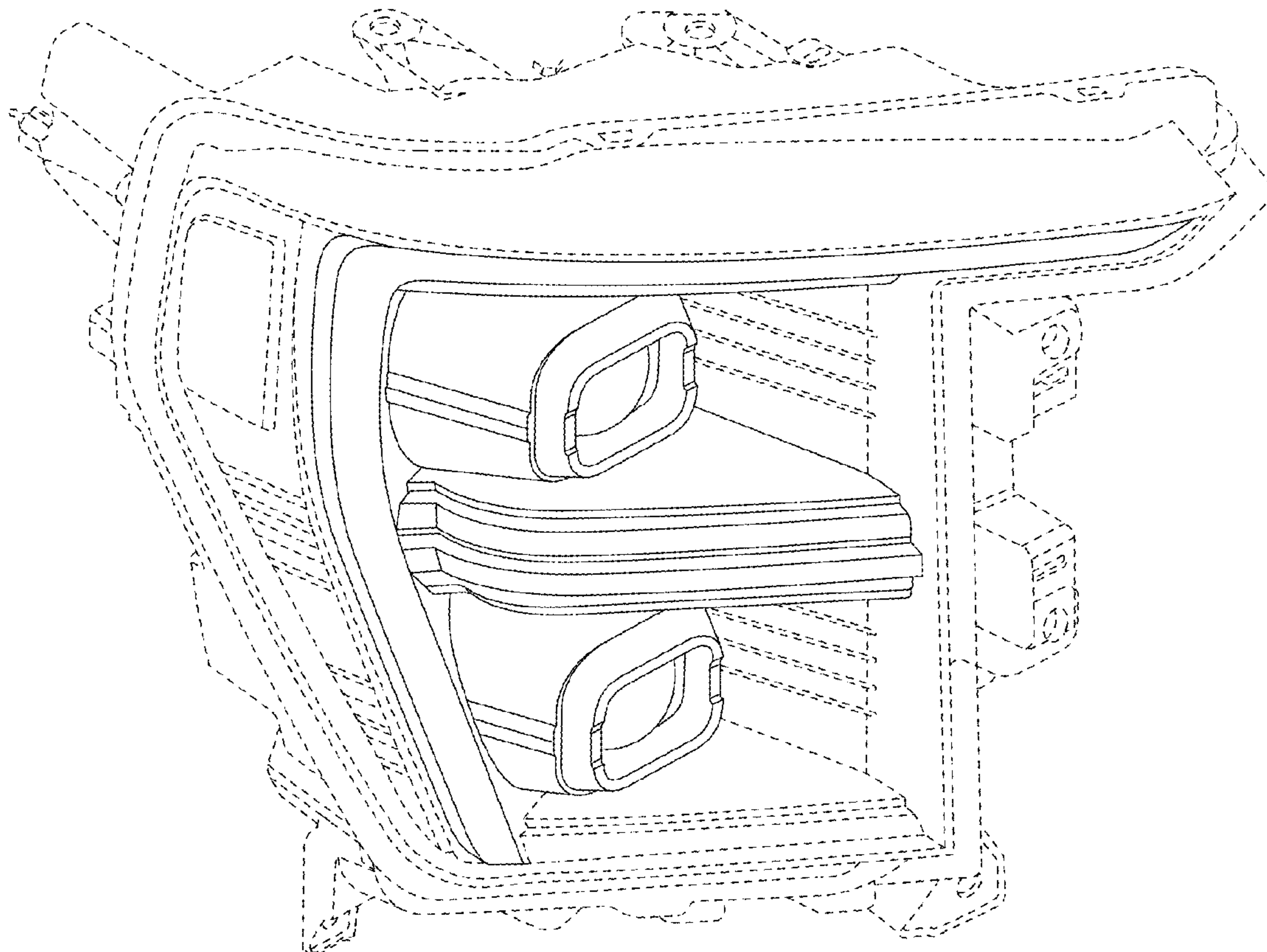
DESCRIPTION

FIG. 1 is a perspective view of an automobile headlight;
FIG. 2 is a front view thereof;
FIG. 3 is a side view thereof; and,
FIG. 4 is a top view thereof.

The broken lines are included to show environmental structure and form no part of the claimed design.

The drawings and descriptions represent the left side embodiment. The claim is also for a mirror image right side embodiment.

1 Claim, 4 Drawing Sheets



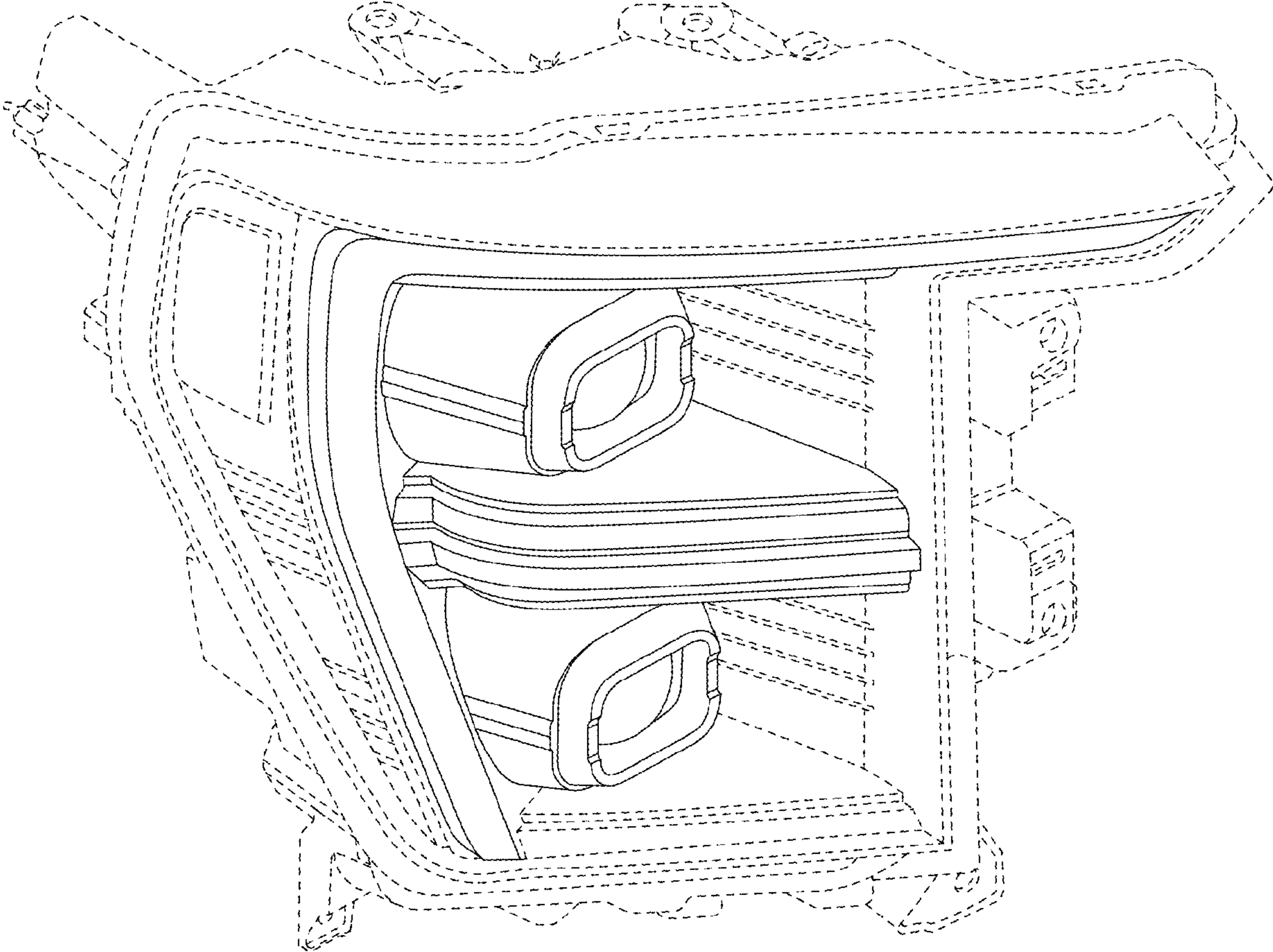


FIG. 1

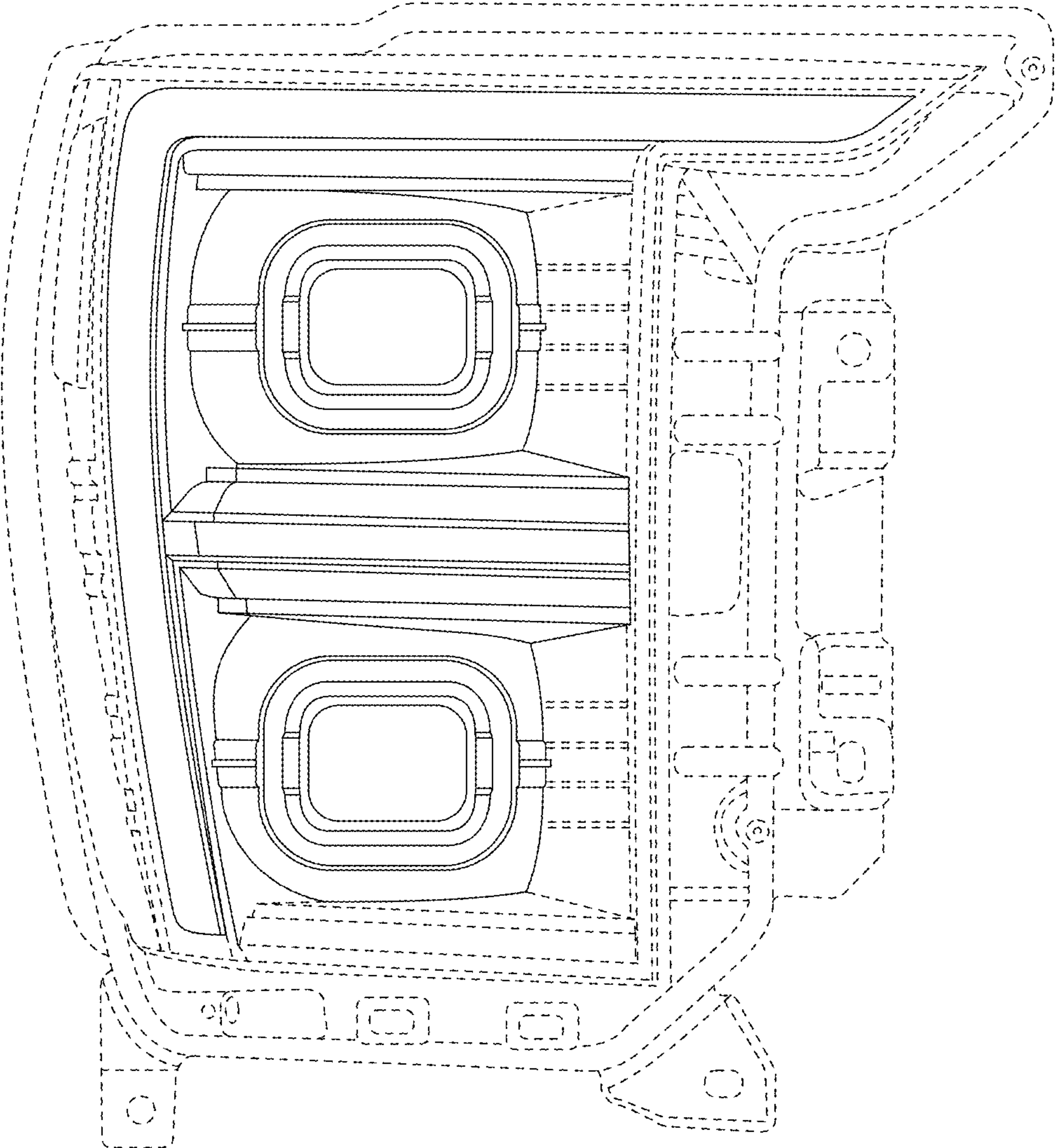


FIG. 2

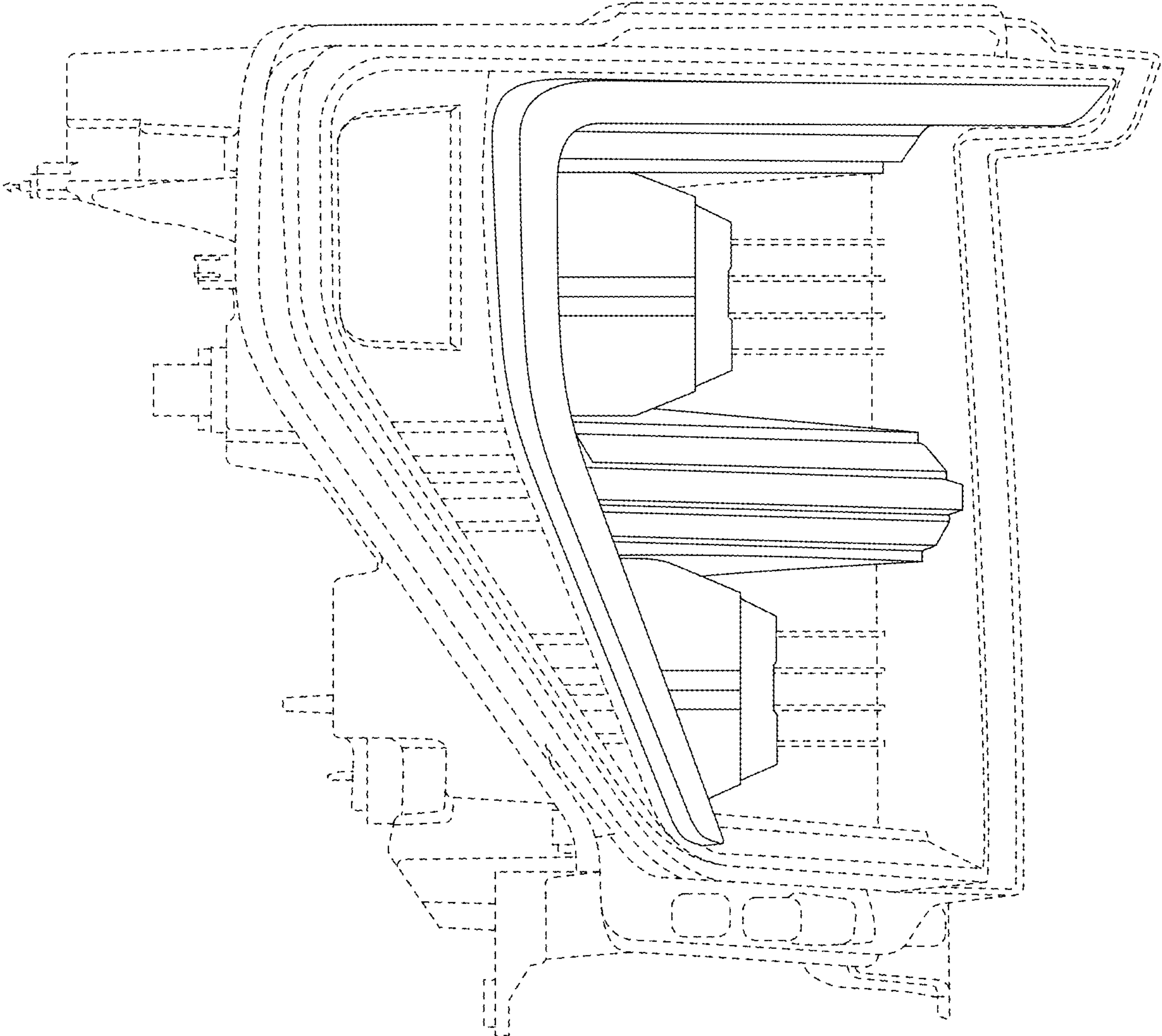


FIG. 3

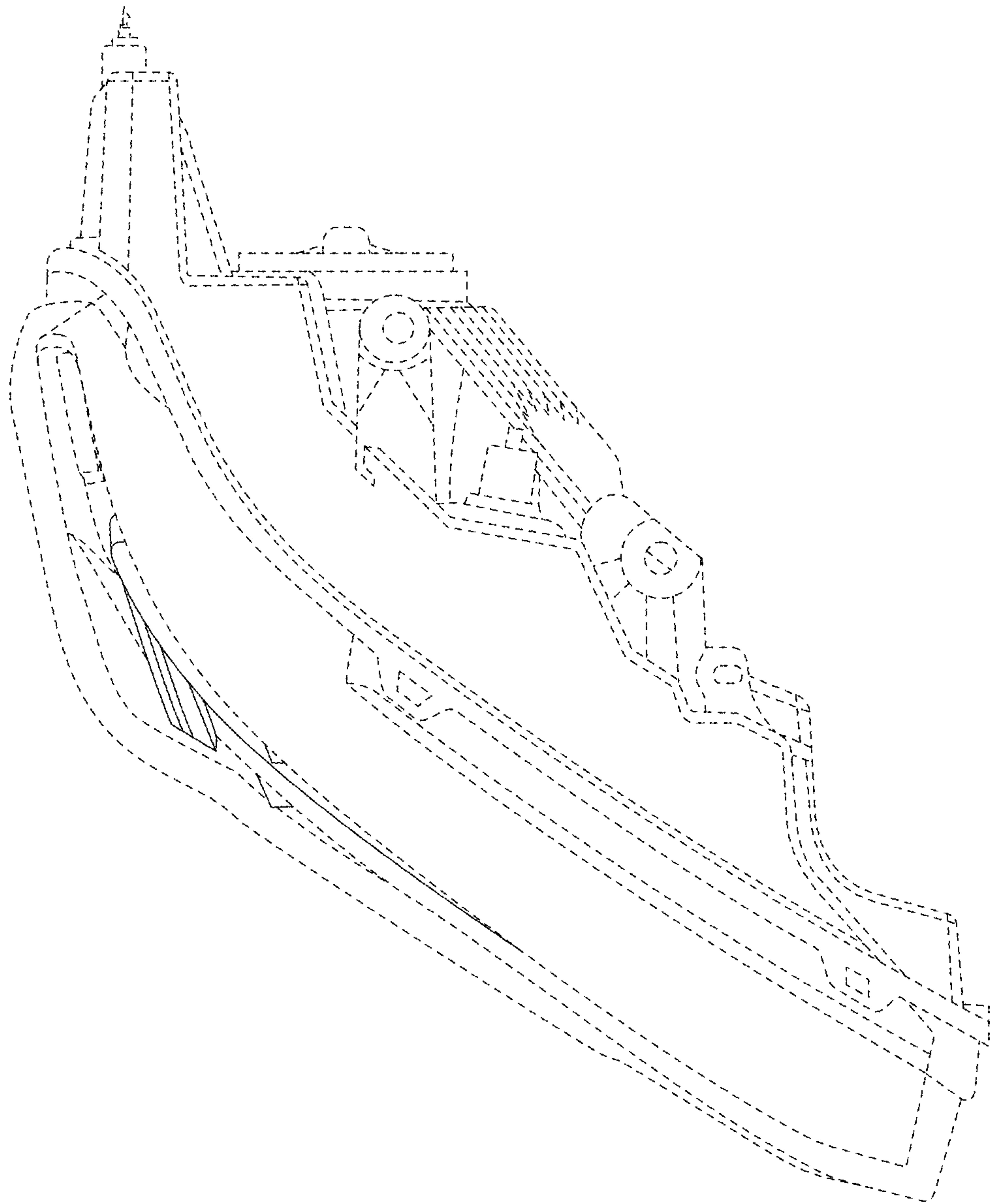


FIG. 4