

US00D973929S

(12) **United States Design Patent**
Lin

(10) **Patent No.:** **US D973,929 S**

(45) **Date of Patent:** **** Dec. 27, 2022**

- (54) **AUTOMOBILE HEADLIGHT**
- (71) Applicant: **Chi-Chung Lin**, Hsinchu (TW)
- (72) Inventor: **Chi-Chung Lin**, Hsinchu (TW)
- (**) Term: **15 Years**
- (21) Appl. No.: **29/780,371**
- (22) Filed: **Apr. 23, 2021**
- (51) **LOC (13) Cl.** **26-06**
- (52) **U.S. Cl.**
USPC **D26/28**
- (58) **Field of Classification Search**
USPC D26/28, 29, 30, 31, 32, 33, 34, 35, 36
CPC F21W 2103/35; F21W 2103/40; F21W
2102/17; F21W 2102/30; F21W 2103/00;
F21W 2103/55; F21W 2104/00; F21W
2107/17; F21W 2107/13; F21S 41/00;
F21S 41/141; F21S 41/162; F21S 41/18;
F21S 41/20; F21S 41/33; F21S 41/36;
F21S 41/60; F21S 43/00; F21V 21/04
See application file for complete search history.

D863,627 S	10/2019	Lin	
D865,241 S	10/2019	Wu	
D869,022 S	12/2019	Wu	
D869,032 S	12/2019	Conway et al.	
D870,936 S	12/2019	Wu	
D874,039 S	* 1/2020	He D26/28
D874,040 S	1/2020	He	
D875,283 S	2/2020	He	
D880,737 S	4/2020	Ninov et al.	
D881,426 S	4/2020	Scott et al.	
D882,134 S	4/2020	Wu	
D883,536 S	* 5/2020	Lin D26/28
D884,227 S	5/2020	He	
D887,050 S	6/2020	Lin	
D887,595 S	6/2020	Wu	
D888,298 S	6/2020	Wu	

(Continued)

FOREIGN PATENT DOCUMENTS

CN	306258299 S	12/2020
CN	306258300 S	12/2020
CN	306310824 S	2/2021

Primary Examiner — Angela J Lee

(74) *Attorney, Agent, or Firm* — Alexander Chen, Esq.

(57) **CLAIM**

The ornamental design for an automobile headlight, as shown and described.

DESCRIPTION

FIG. 1 is a perspective view of an automobile headlight; FIG. 2 is a front view thereof; FIG. 3 is a side view thereof; and, FIG. 4 is a top view thereof.

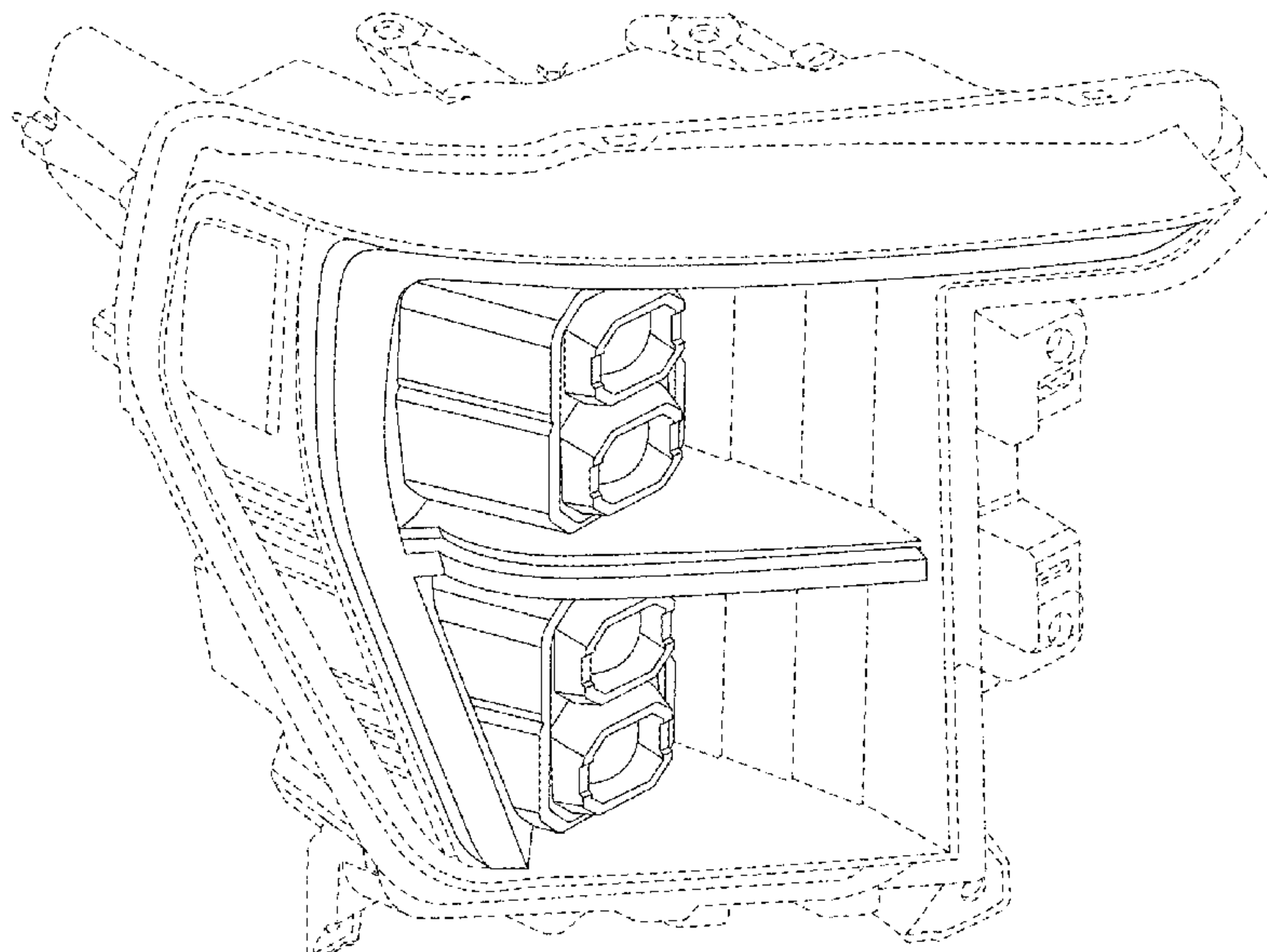
The broken lines are included to show environmental structure and form no part of the claimed design.

The drawings and descriptions represent the left side embodiment. The claim is also for a mirror image right side embodiment.

1 Claim, 4 Drawing Sheets

(56) **References Cited**
U.S. PATENT DOCUMENTS

D493,552 S	7/2004	Metros et al.
D602,619 S	10/2009	Kruger et al.
D641,503 S	7/2011	Kruger et al.
D689,223 S	9/2013	Lai
D748,303 S	1/2016	Sato et al.
D806,289 S	12/2017	Platto et al.
D806,290 S	12/2017	Platto et al.
D820,510 S	6/2018	Conway et al.
D821,026 S	6/2018	Conway et al.
D841,206 S	2/2019	Yang
D841,207 S	2/2019	Yang
D841,877 S	2/2019	Conway et al.
D848,039 S	5/2019	Conway et al.
D853,000 S	7/2019	Lin
D855,849 S	8/2019	Lin



(56)

References Cited

U.S. PATENT DOCUMENTS

D889,001	S	6/2020	He	
D889,704	S	7/2020	He	
D890,385	S *	7/2020	Yang	D26/28
D890,386	S	7/2020	Wu	
D890,388	S *	7/2020	Wu	D26/28
D891,657	S *	7/2020	Wu	D26/28
D892,368	S	8/2020	Lin	
D893,063	S	8/2020	He	
D894,613	S	9/2020	Kaicker	
D895,862	S	9/2020	Lin	
D896,416	S	9/2020	Lin	
D897,010	S	9/2020	Momokawa	
D897,013	S	9/2020	Cheng et al.	
D899,641	S	10/2020	He	
D900,358	S	10/2020	He	
D900,359	S	10/2020	He	
D903,156	S	11/2020	Platto et al.	
D903,157	S	11/2020	Platto et al.	
D903,158	S	11/2020	Platto et al.	
D903,160	S	11/2020	Zipfel	
D903,161	S	11/2020	Zipfel	
D903,163	S	11/2020	Choi et al.	
D903,166	S	11/2020	Choi et al.	
D912,863	S *	3/2021	Wu	D26/28
D916,337	S *	4/2021	Yang	D26/28
D919,141	S *	5/2021	Wu	D26/28
D929,622	S *	8/2021	Wu	D26/28
D933,269	S *	10/2021	Wu	D26/28
D952,912	S *	5/2022	Wu	D26/28
D954,307	S *	6/2022	Lin	D26/28
D954,308	S *	6/2022	Lin	D26/28

* cited by examiner

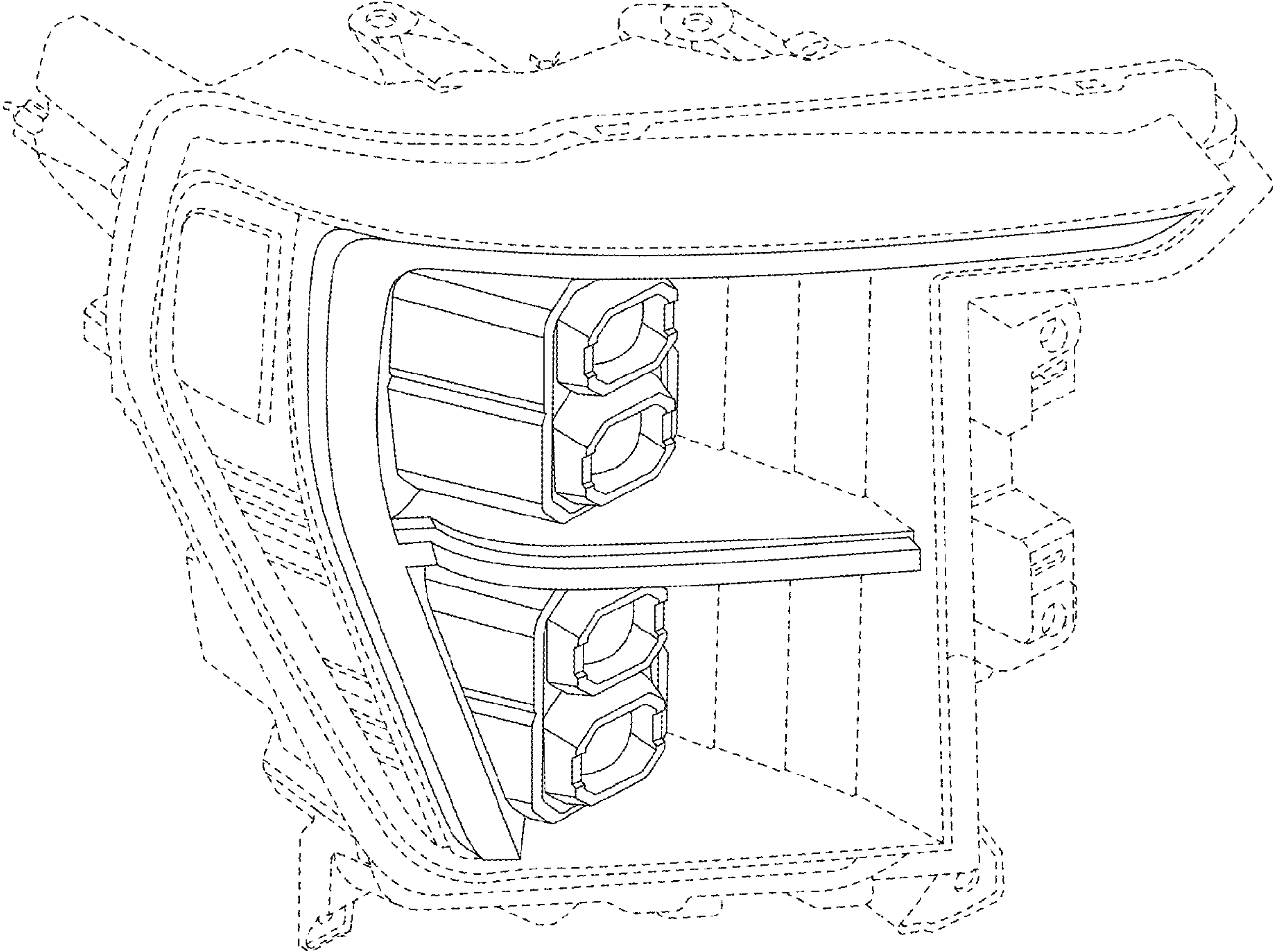


FIG. 1

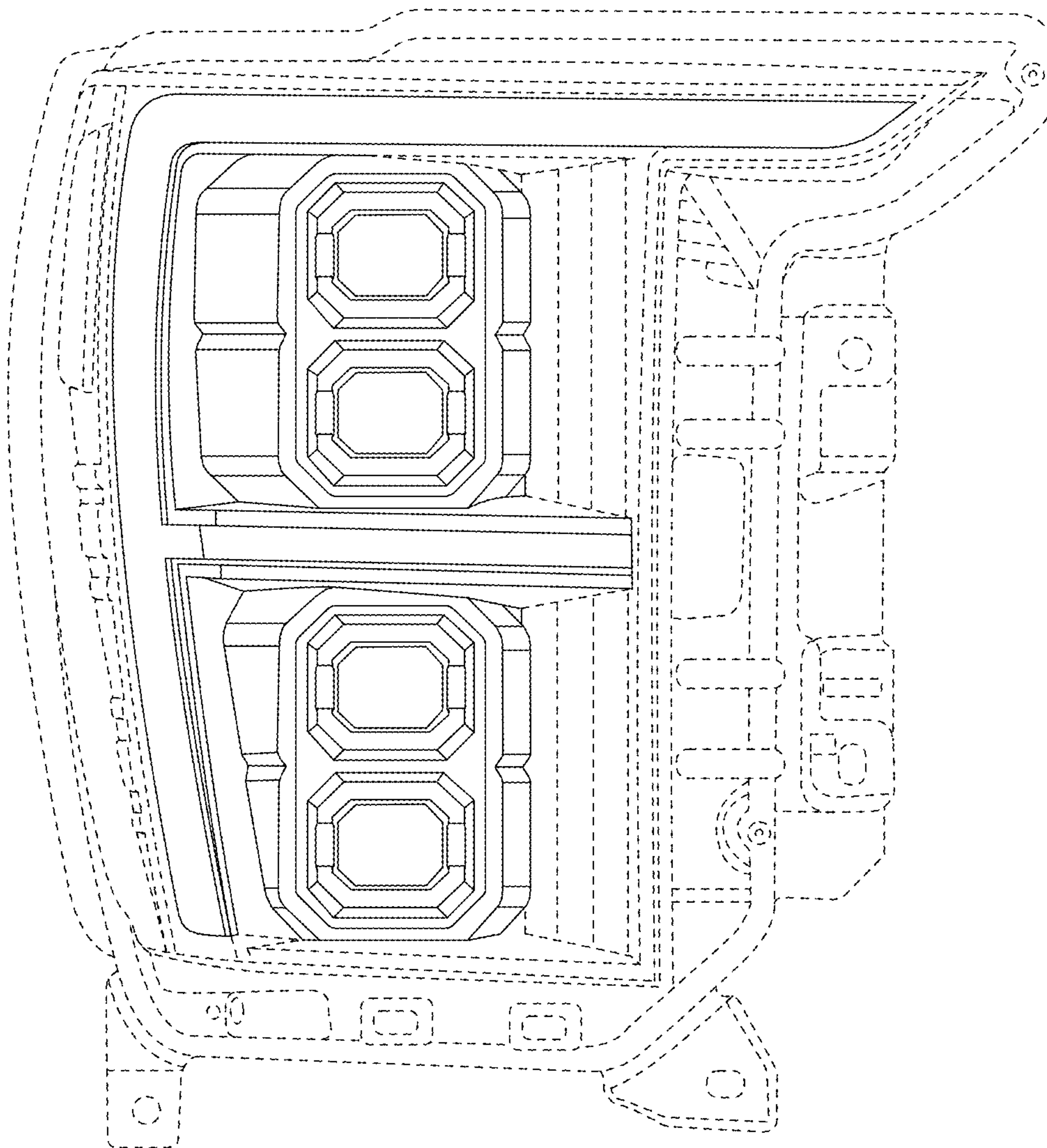


FIG. 2

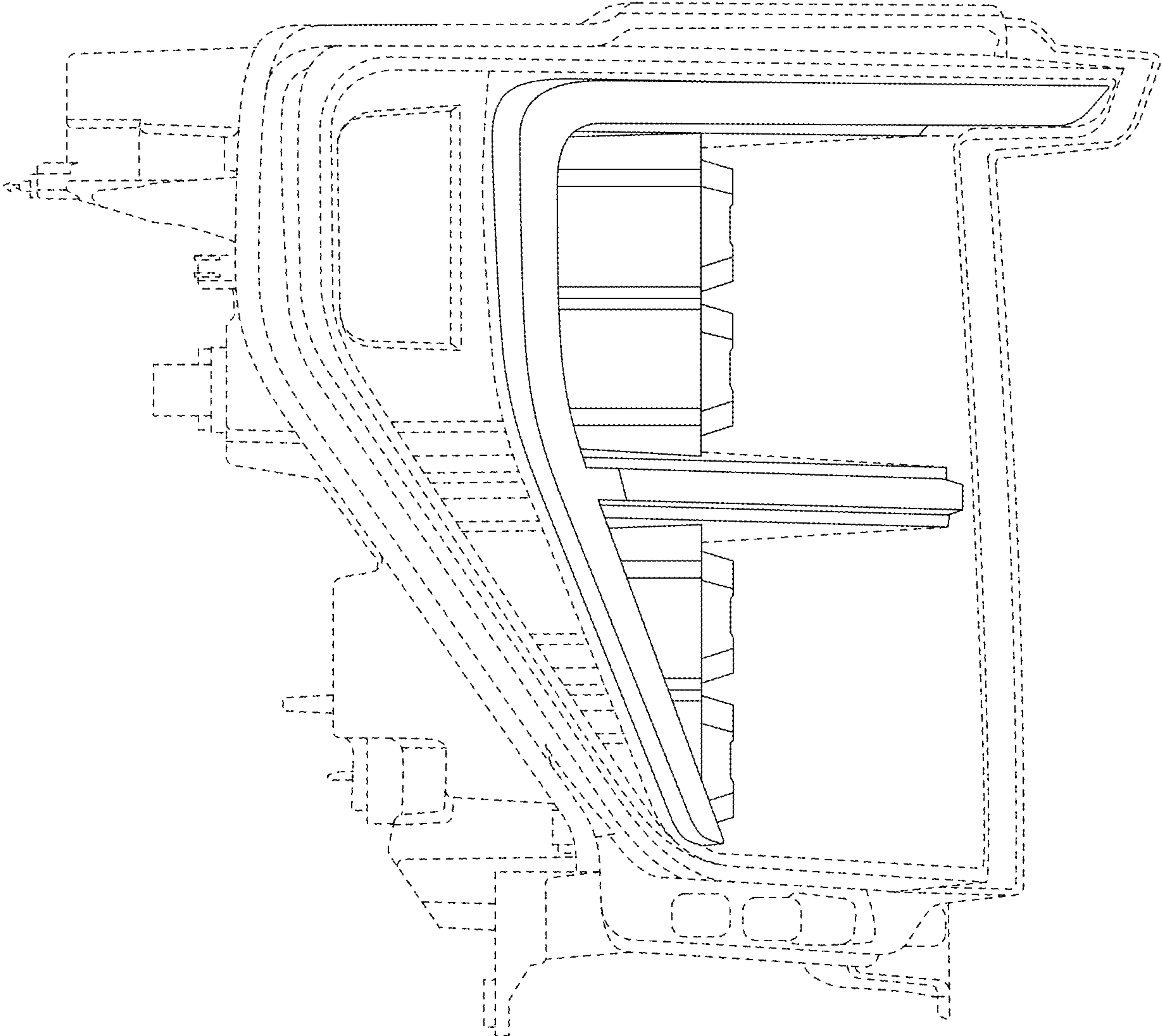


FIG. 3

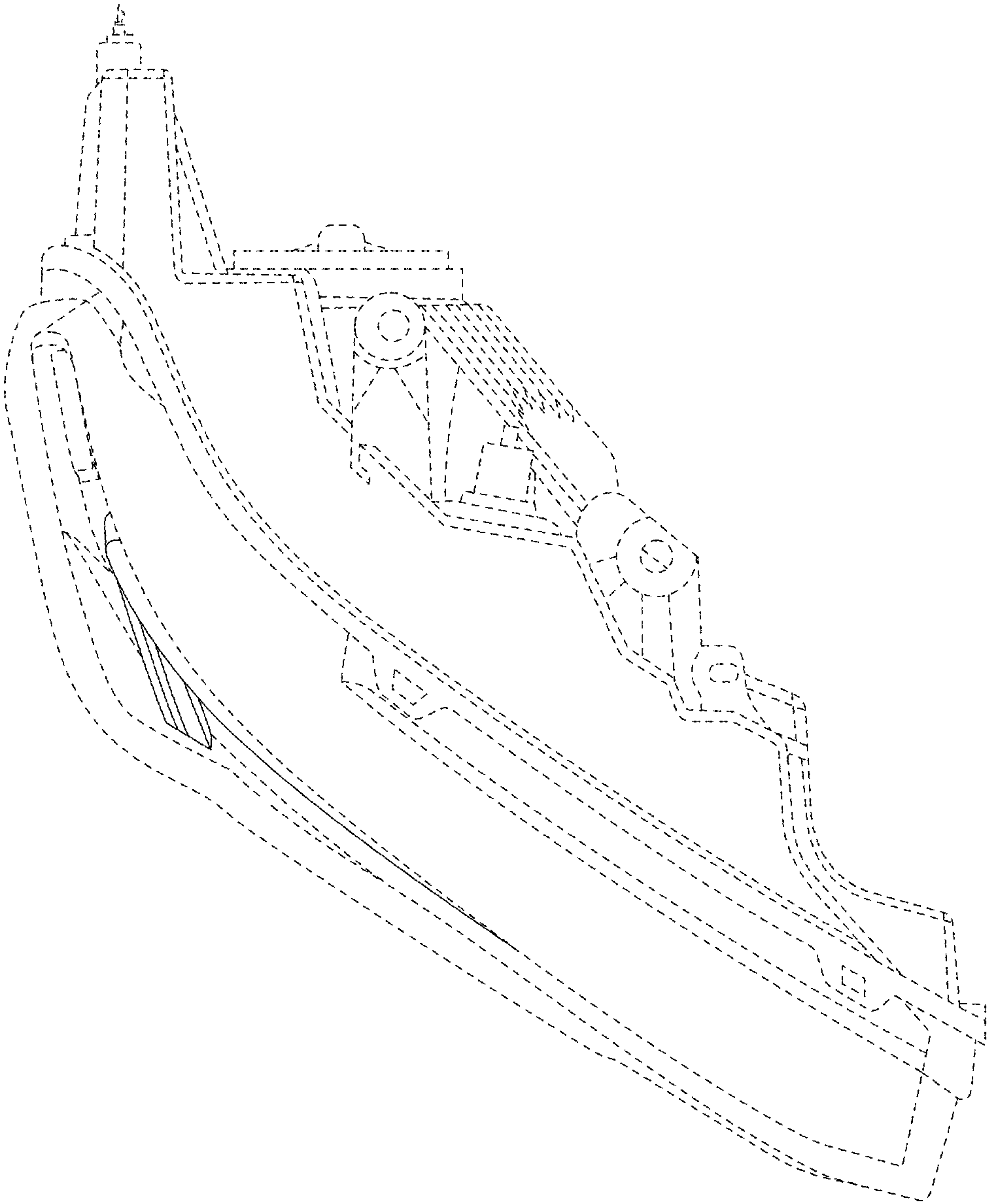


FIG. 4