



US00D973924S

(12) **United States Design Patent** (10) **Patent No.:** **US D973,924 S**
Hayden (45) **Date of Patent:** **** Dec. 27, 2022**

(54) **VEHICLE HEADLIGHT**
(71) Applicant: **VOLVO CAR CORPORATION,**
Gothenburg (SE)

D539,946 S * 4/2007 Lamarre D26/28
D541,445 S * 4/2007 Lin D26/28
D569,019 S * 5/2008 Hsu D26/28
D870,928 S * 12/2019 Lin D26/28
D882,134 S * 4/2020 Wu D26/28

(72) Inventor: **Björn Hayden, Lycke (SE)**
(73) Assignee: **VOLVO CAR CORPORATION,**
Gothenburg (SE)

OTHER PUBLICATIONS

Volvo 2020 XC60, By Volvo, Feb. 22, 2020, Published by CARICOS, Visited on Oct. 25, 2021 via URL: <https://www.caricos.com/cars/v/volvo/2020_volvo_xc60/2560x1440/1.html> (Year: 2020).
Full LED Headlights, by Volvo Auto India, Apr. 20, 2018, published by FaceBook, visited on Nov. 2, 2021 via URL: <<https://www.facebook.com/volvoautoindia/posts/full-led-headlights-with-distinctive-thor-hammer-shaped-daytime-running-lights-c/10160524102060556/>> (Year: 2018).*

(**) Term: **15 Years**

(21) Appl. No.: **29/738,447**

(22) Filed: **Jun. 17, 2020**

* cited by examiner

(30) **Foreign Application Priority Data**

Dec. 18, 2019 (DE) 402019000998.8

(51) **LOC (13) Cl.** **26-06**

(52) **U.S. Cl.**
USPC **D26/28**

(58) **Field of Classification Search**
USPC D26/28, 29, 30, 31, 32, 33, 34, 35, 36
CPC A47G 23/03; B65D 41/04; F21V 14/01;
F21V 35/00; F21V 21/04; F21S 41/14;
F21S 41/60; F21S 41/00; F21S 41/141;
F21S 41/162; F21S 41/18; F21S 41/20;
F21S 41/33; F21S 41/36; F21S 43/00;
F21W 2103/35; F21W 2103/40; F21W
2102/17; F21W 2102/30; F21W 2103/00;
F21W 2103/55; F21W 2104/00; F21W
2107/01; F21W 2107/13

See application file for complete search history.

Primary Examiner — Angela J Lee

(74) *Attorney, Agent, or Firm* — Calderon Safran & Cole PC

(57) **CLAIM**

The ornamental design for a vehicle headlight, as shown and described.

DESCRIPTION

FIG. 1 is a front view of a vehicle headlight showing my new design;
FIG. 2 is a front upper right perspective view thereof;
FIG. 3 is a left perspective view thereof;
FIG. 4 is a right side view thereof;
FIG. 5 is a left side view thereof;
FIG. 6 is a rear view thereof;
FIG. 7 is a top view thereof; and,
FIG. 8 is a bottom view thereof.
The broken lines and the portions of the design shown within depict portions of the vehicle headlight that form no part of the claimed design.

(56) **References Cited**

U.S. PATENT DOCUMENTS

D510,449 S * 10/2005 Lin D26/28
D526,424 S * 8/2006 Suzuki D26/28

1 Claim, 8 Drawing Sheets

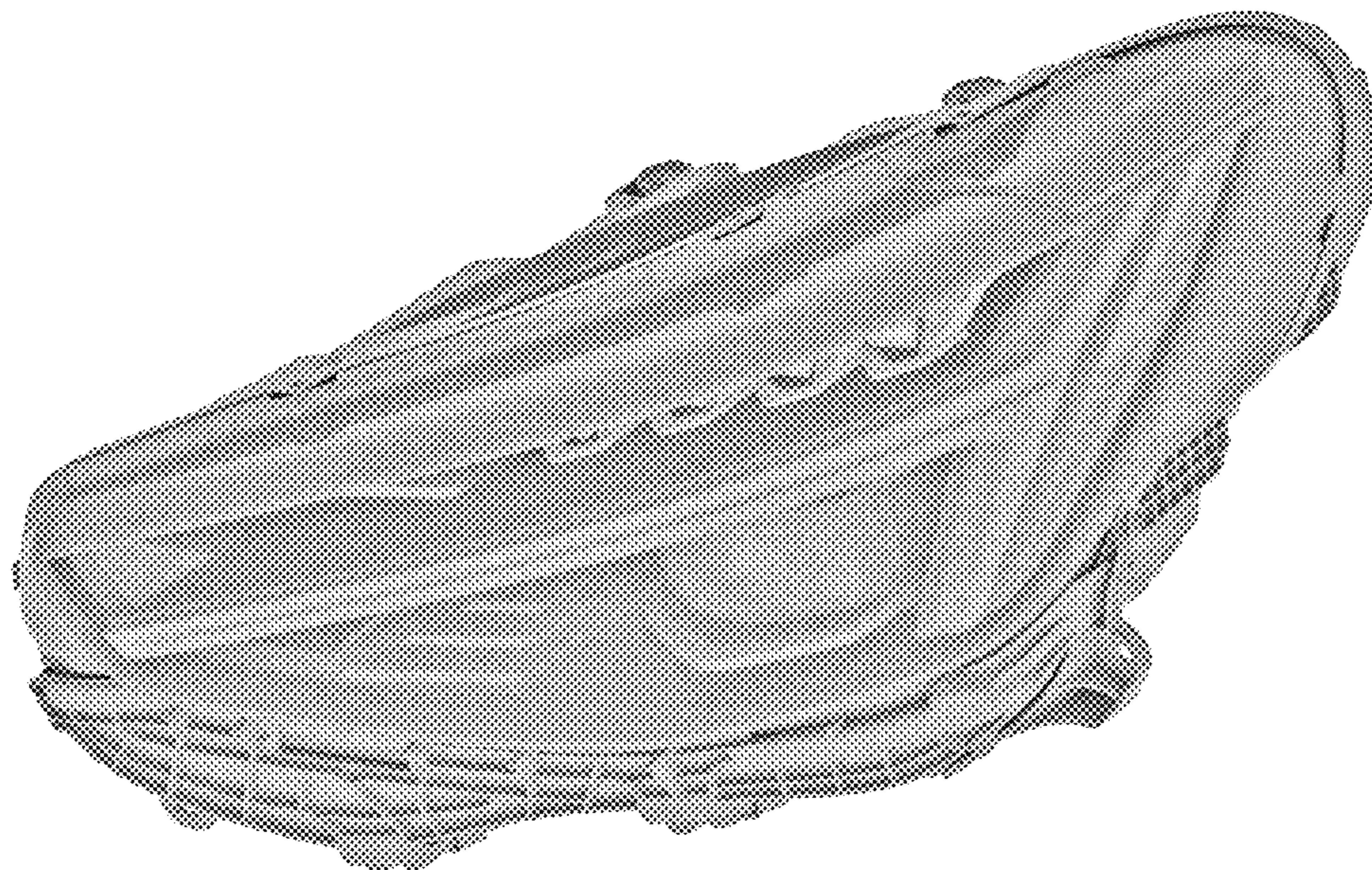




FIG. 1

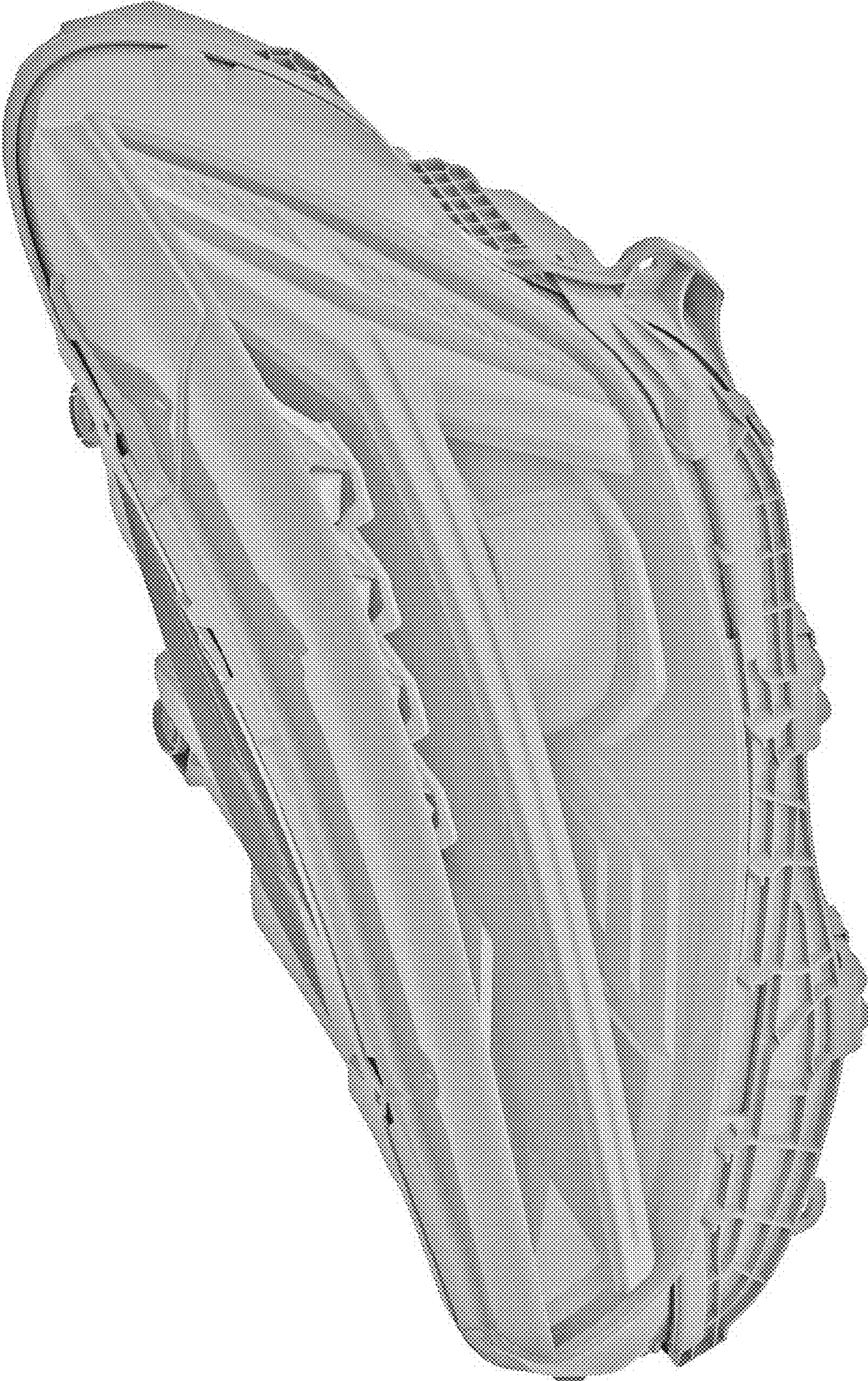


FIG. 2



FIG. 3

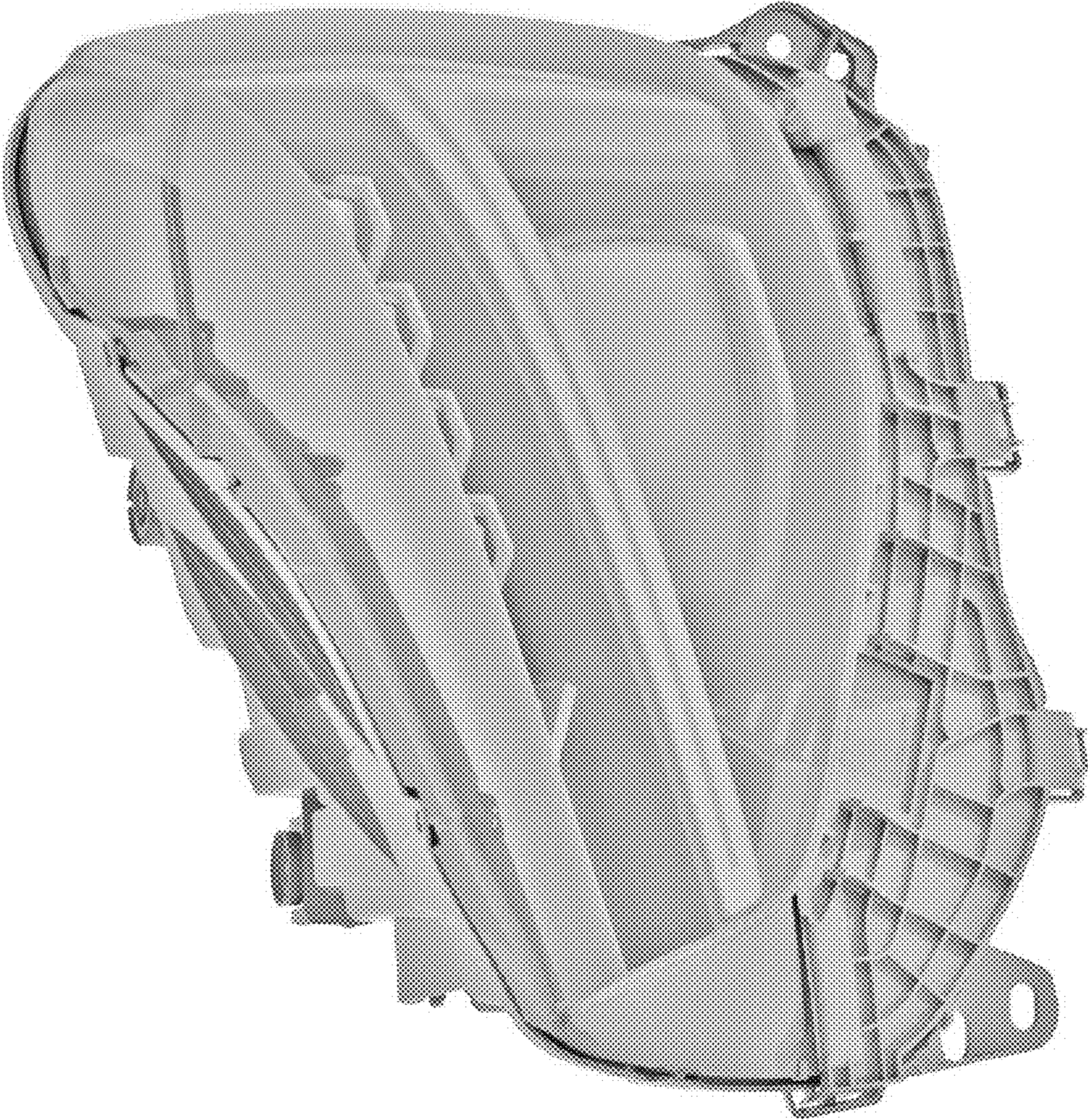


FIG. 4

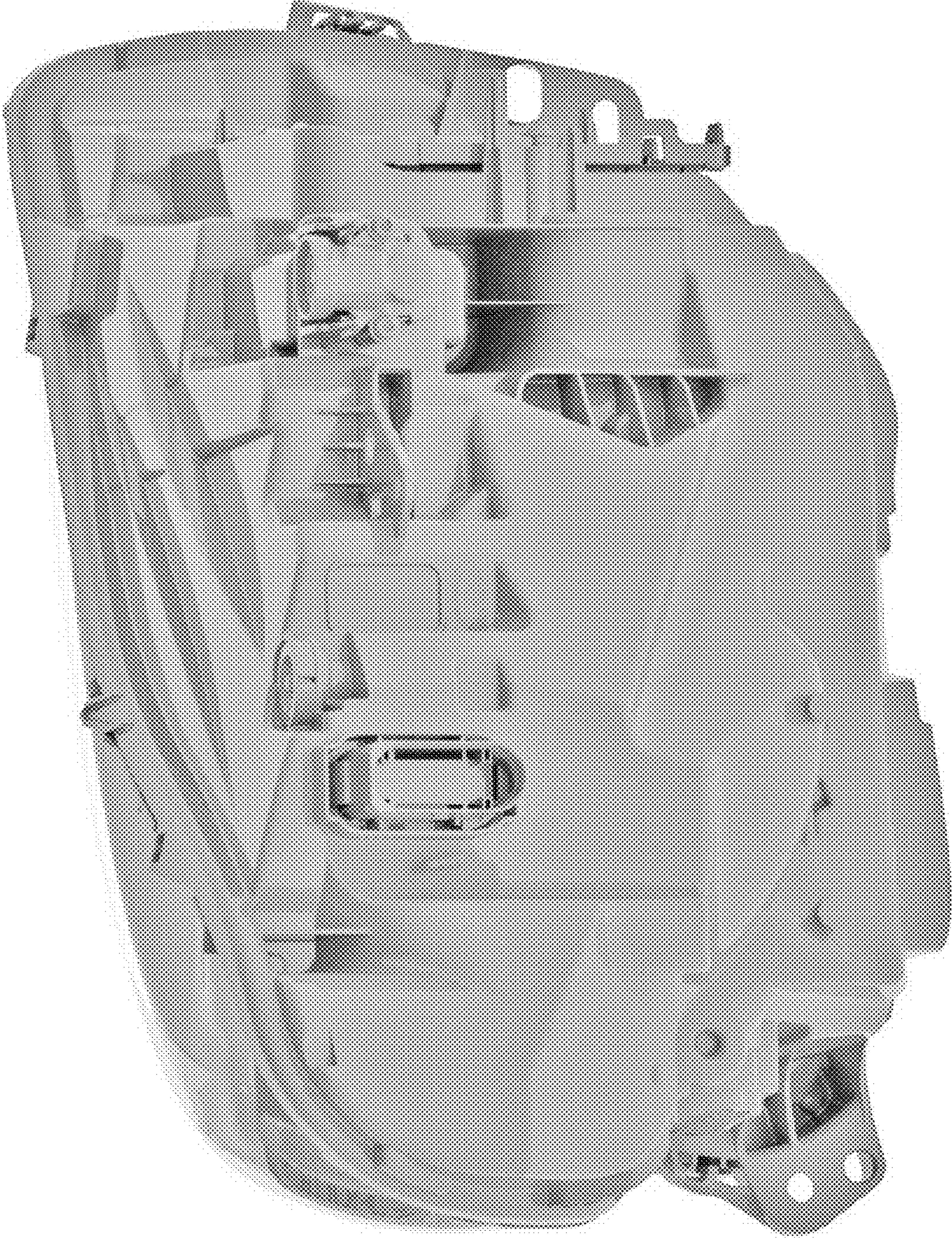


FIG. 5

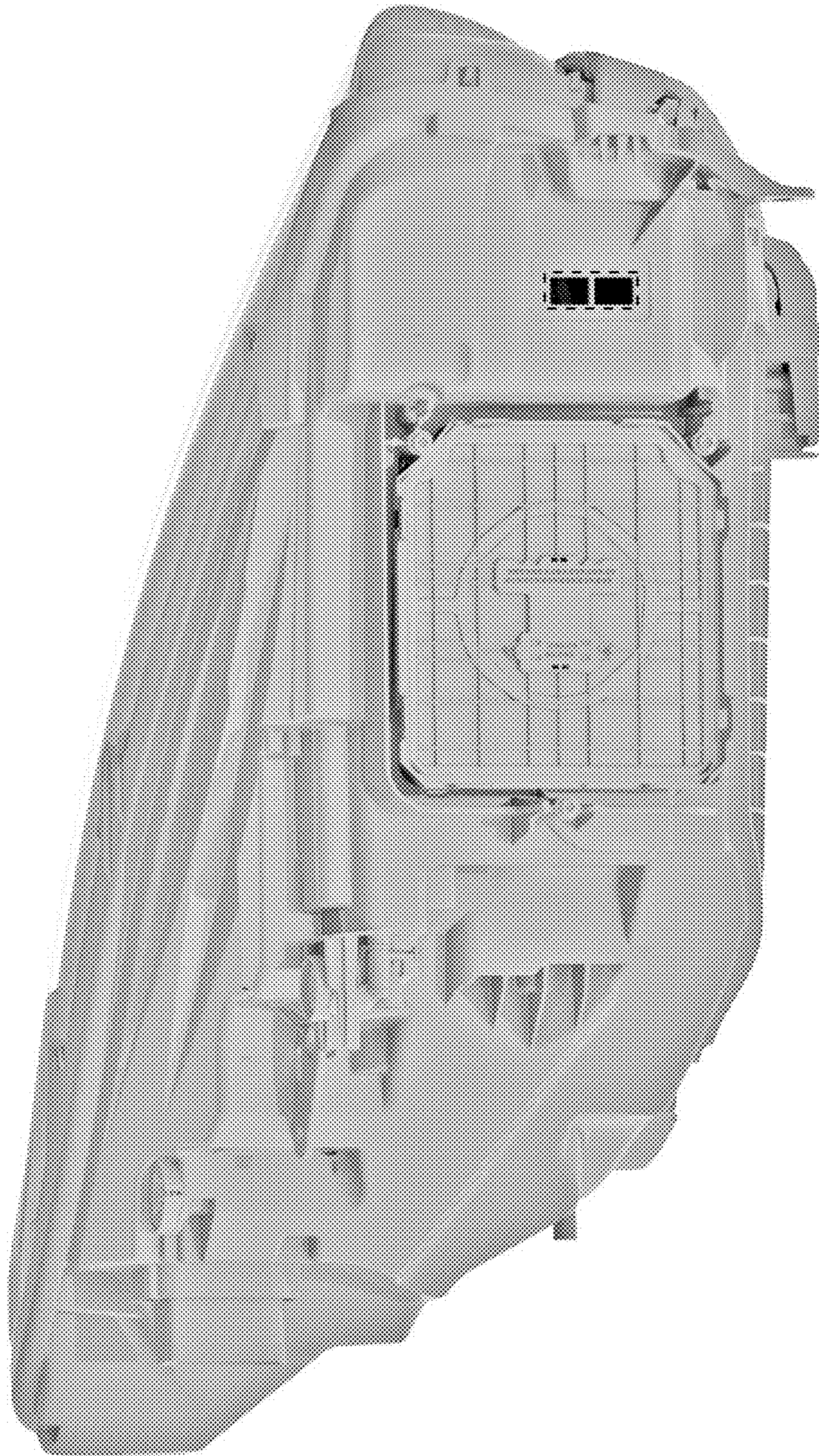


FIG. 6



FIG. 7

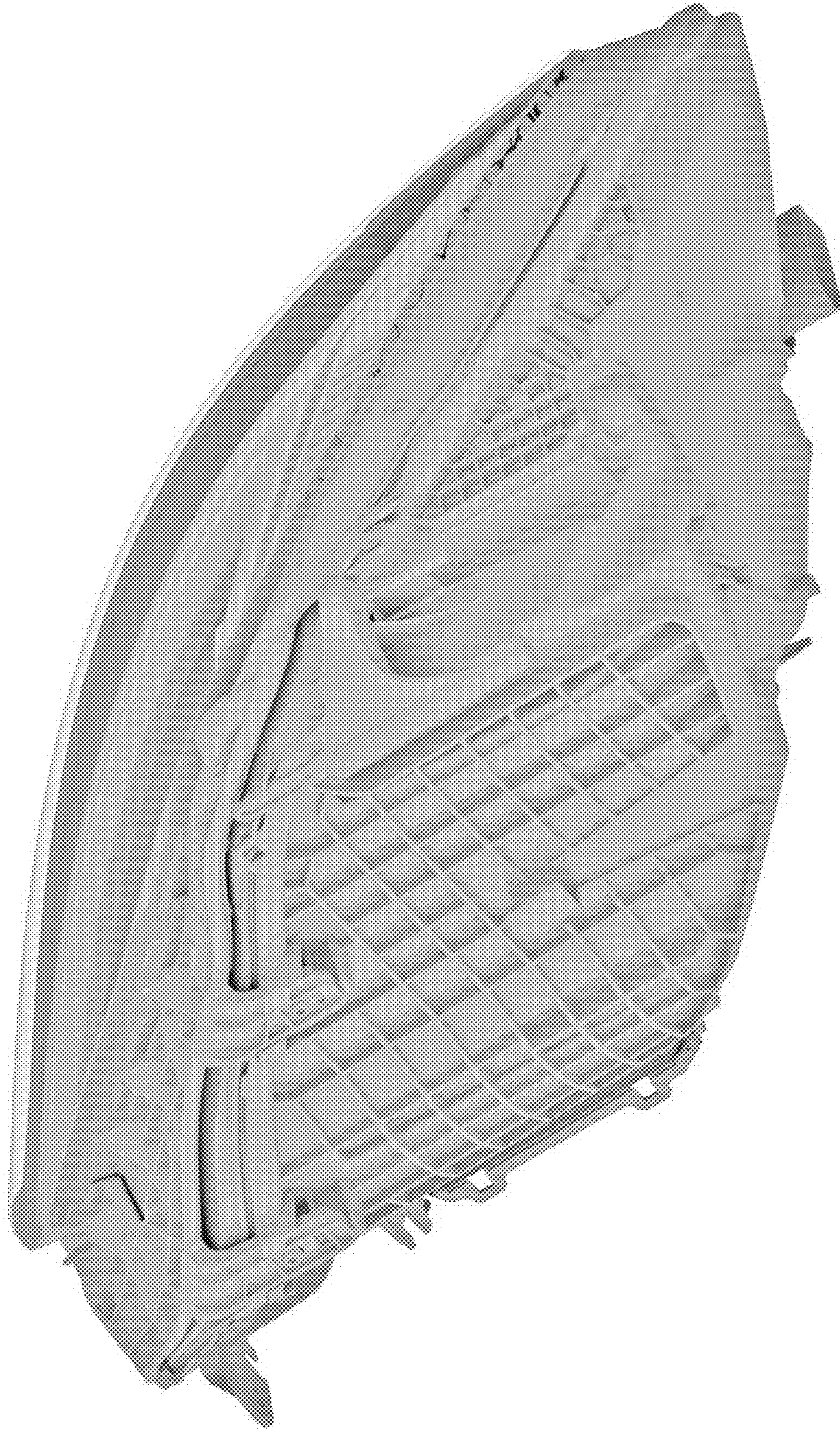


FIG. 8