



US00D973922S

(12) **United States Design Patent** (10) **Patent No.:** **US D973,922 S**  
**Yi** (45) **Date of Patent:** **\*\* Dec. 27, 2022**

(54) **SMART NIGHT LIGHT**  
(71) Applicant: **Lyridz Innovation (Shenzhen) Technology Co., Ltd, Shenzhen (CN)**  
(72) Inventor: **Huaxiang Yi, Shenzhen (CN)**  
(\*\*) Term: **15 Years**  
(21) Appl. No.: **29/759,574**  
(22) Filed: **Nov. 24, 2020**  
(51) **LOC (13) Cl.** ..... **26-05**  
(52) **U.S. Cl.**  
USPC ..... **D26/26**  
(58) **Field of Classification Search**  
USPC ..... D26/26, 24, 113, 118, 119, 120, 52;  
D23/366, 367, 369  
CPC ..... F21S 8/035; F21V 23/06; F21V 23/0442;  
F21W 2121/00; H01R 2103/00  
See application file for complete search history.

D715,468 S \* 10/2014 Dai ..... D26/26  
D813,429 S \* 3/2018 Li ..... D26/26  
D894,436 S \* 8/2020 Wu ..... D26/26  
D923,210 S \* 6/2021 Tan ..... D26/26  
D923,211 S \* 6/2021 Zhang ..... D26/26  
D952,218 S \* 5/2022 Qiu ..... D26/26  
D960,343 S \* 8/2022 Chang ..... D23/366

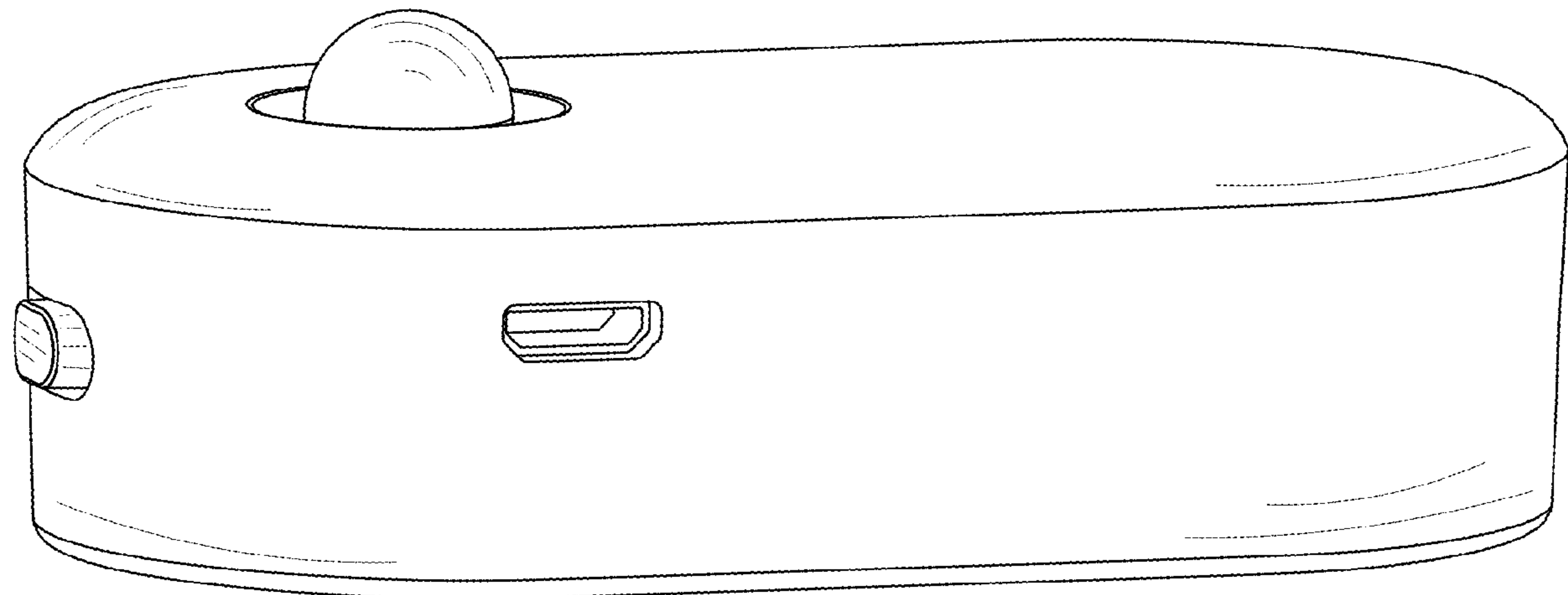
\* cited by examiner  
*Primary Examiner* — Angela J Lee

(57) **CLAIM**  
The ornamental design for a smart night light, as shown and described.

**DESCRIPTION**  
FIG. 1 is a top perspective view showing of my design;  
FIG. 2 is a bottom perspective view showing of my design;  
FIG. 3 is a front elevational view thereof;  
FIG. 4 is a rear elevational view thereof;  
FIG. 5 is a left side elevational view thereof;  
FIG. 6 is a right side elevational view thereof;  
FIG. 7 is a top plan view thereof; and,  
FIG. 8 is a bottom plan view thereof.  
The broken lines depict portions of the smart night light in which the design is embodied that form no part of the claimed design.

(56) **References Cited**  
U.S. PATENT DOCUMENTS  
D347,288 S \* 5/1994 Ham ..... D26/26  
D403,786 S \* 1/1999 Lai ..... D26/37  
D455,507 S \* 4/2002 Liu ..... D26/26  
D524,458 S \* 7/2006 Chan ..... D26/26  
D633,237 S \* 2/2011 Wang ..... D26/26  
D644,362 S \* 8/2011 Kingston ..... D26/26

**1 Claim, 8 Drawing Sheets**



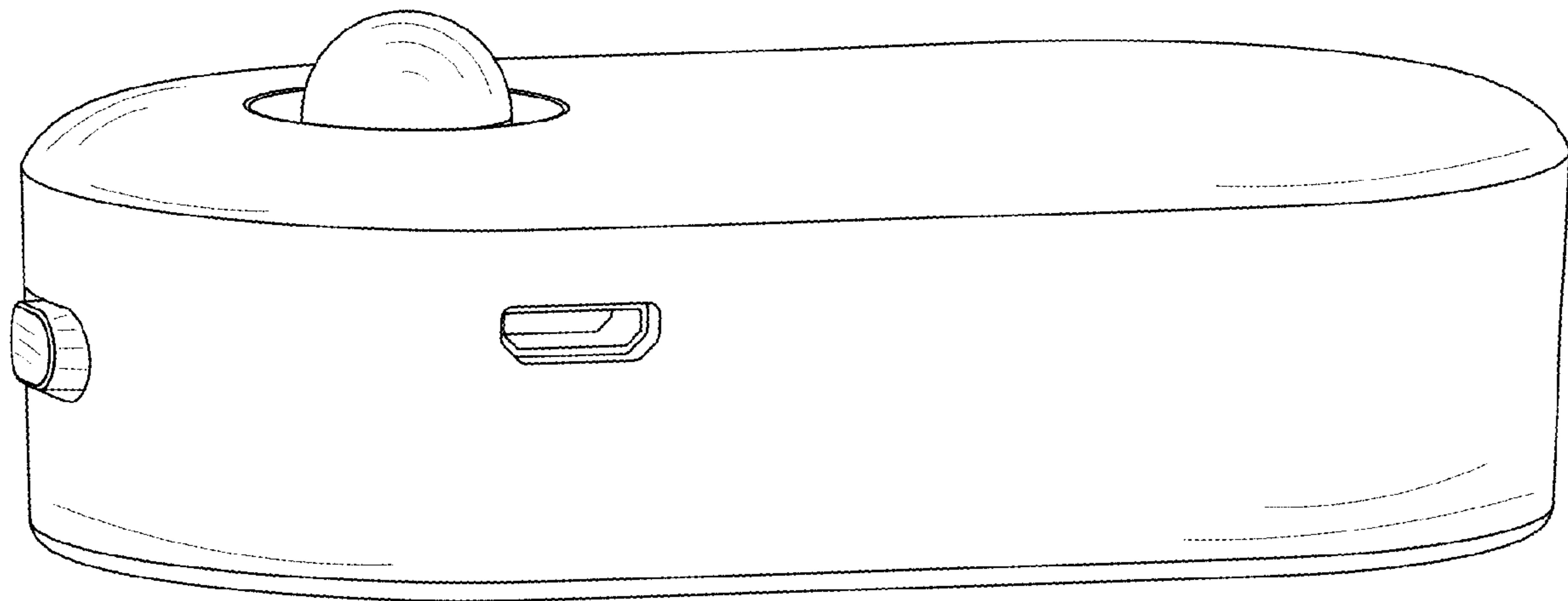


FIG.1

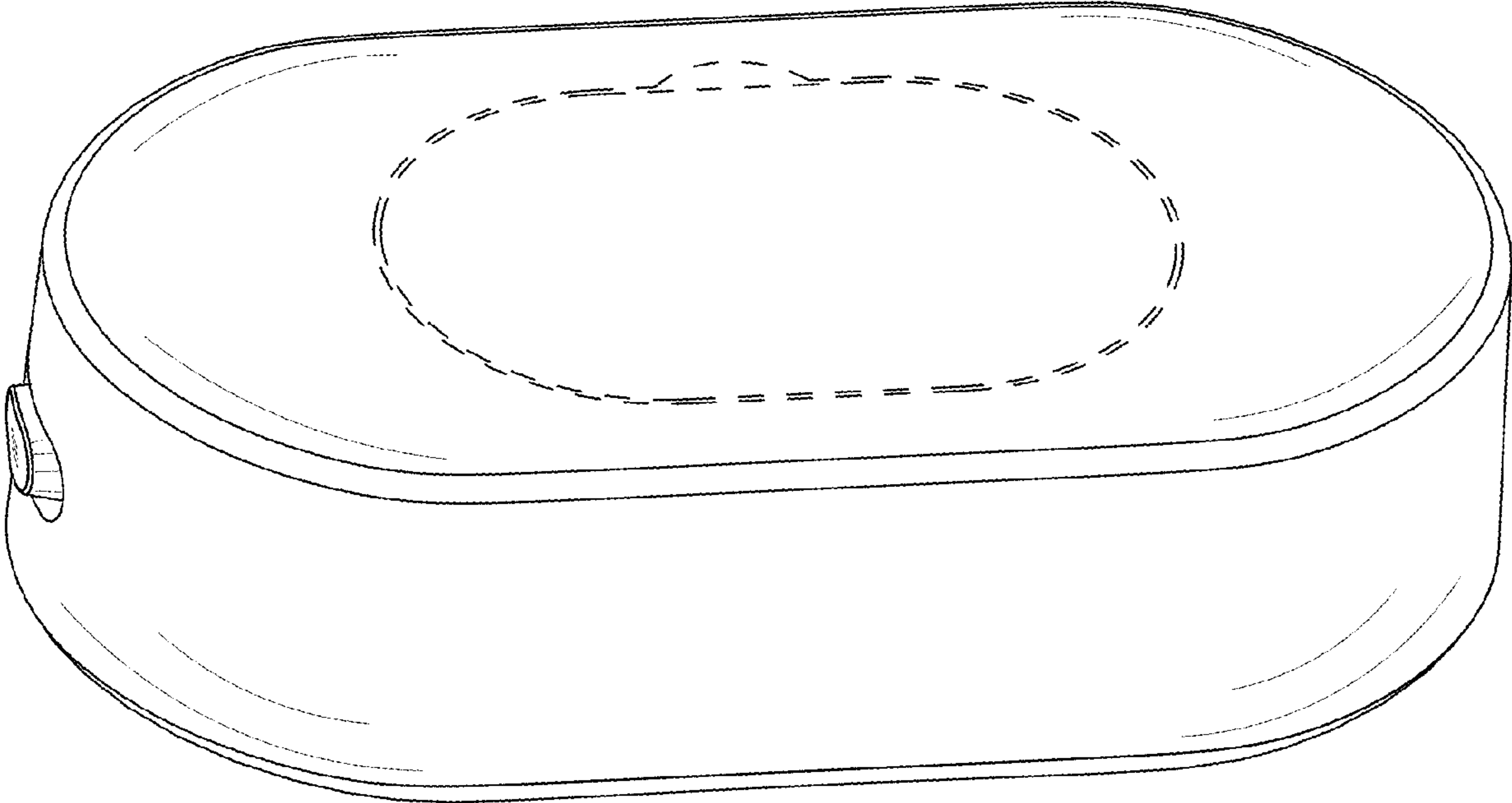


FIG.2

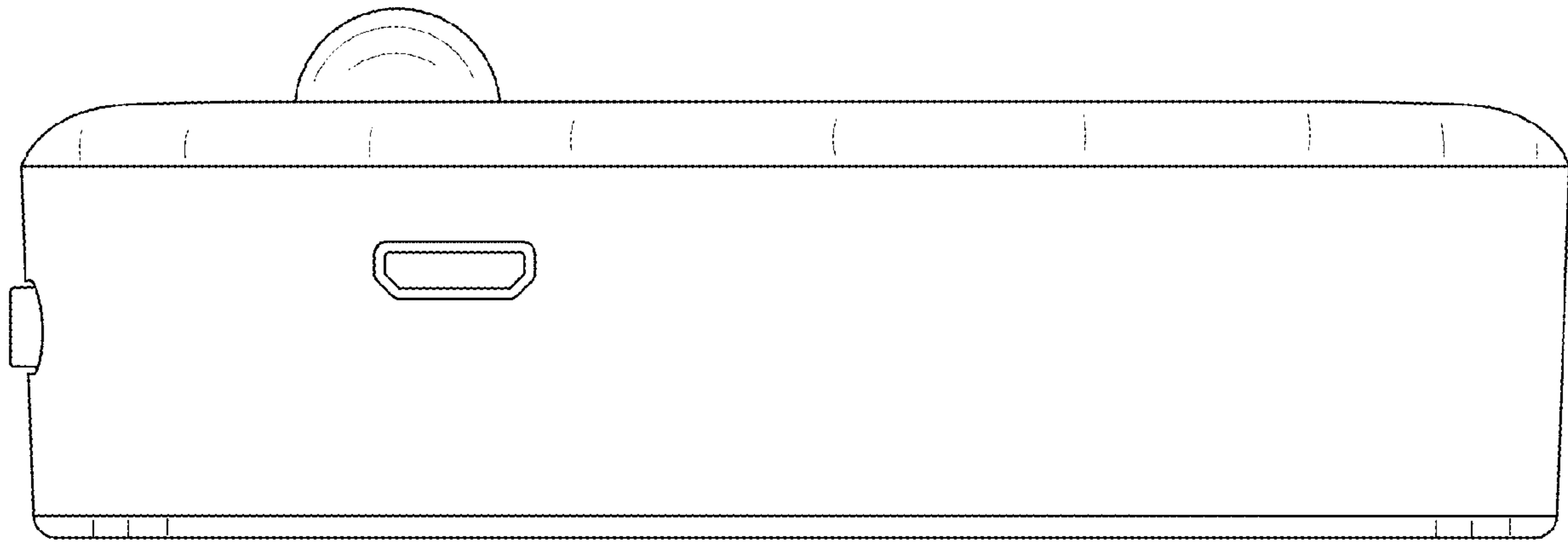


FIG.3

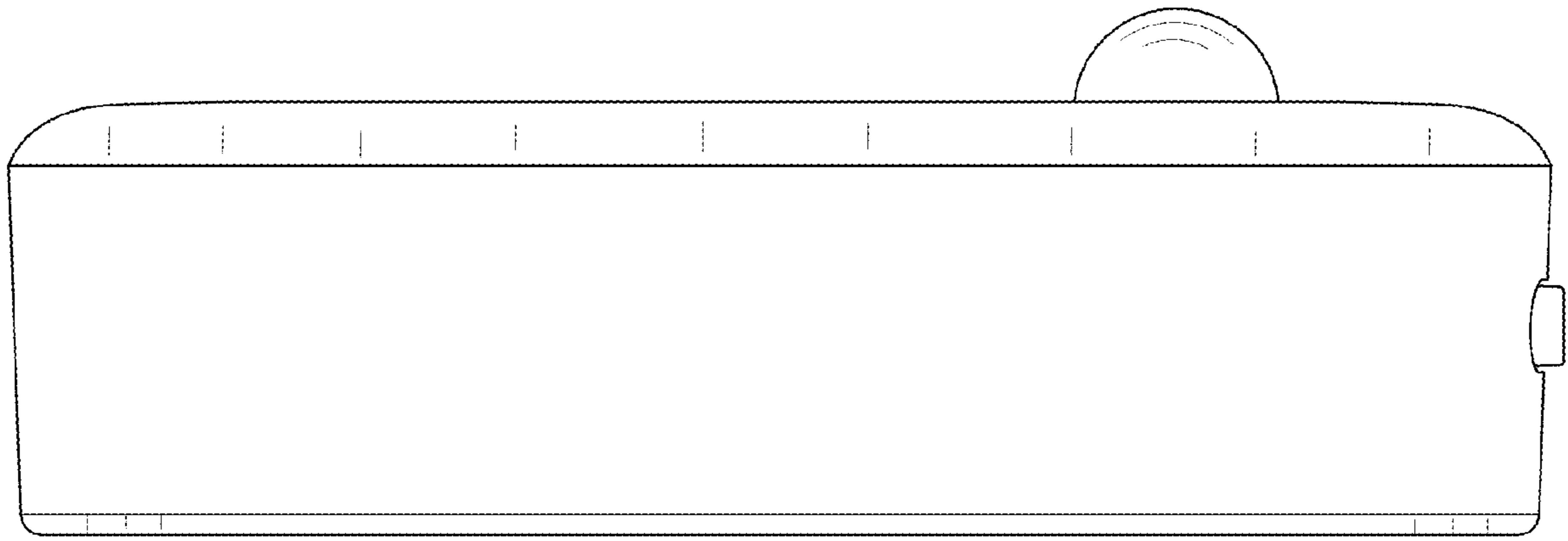


FIG.4

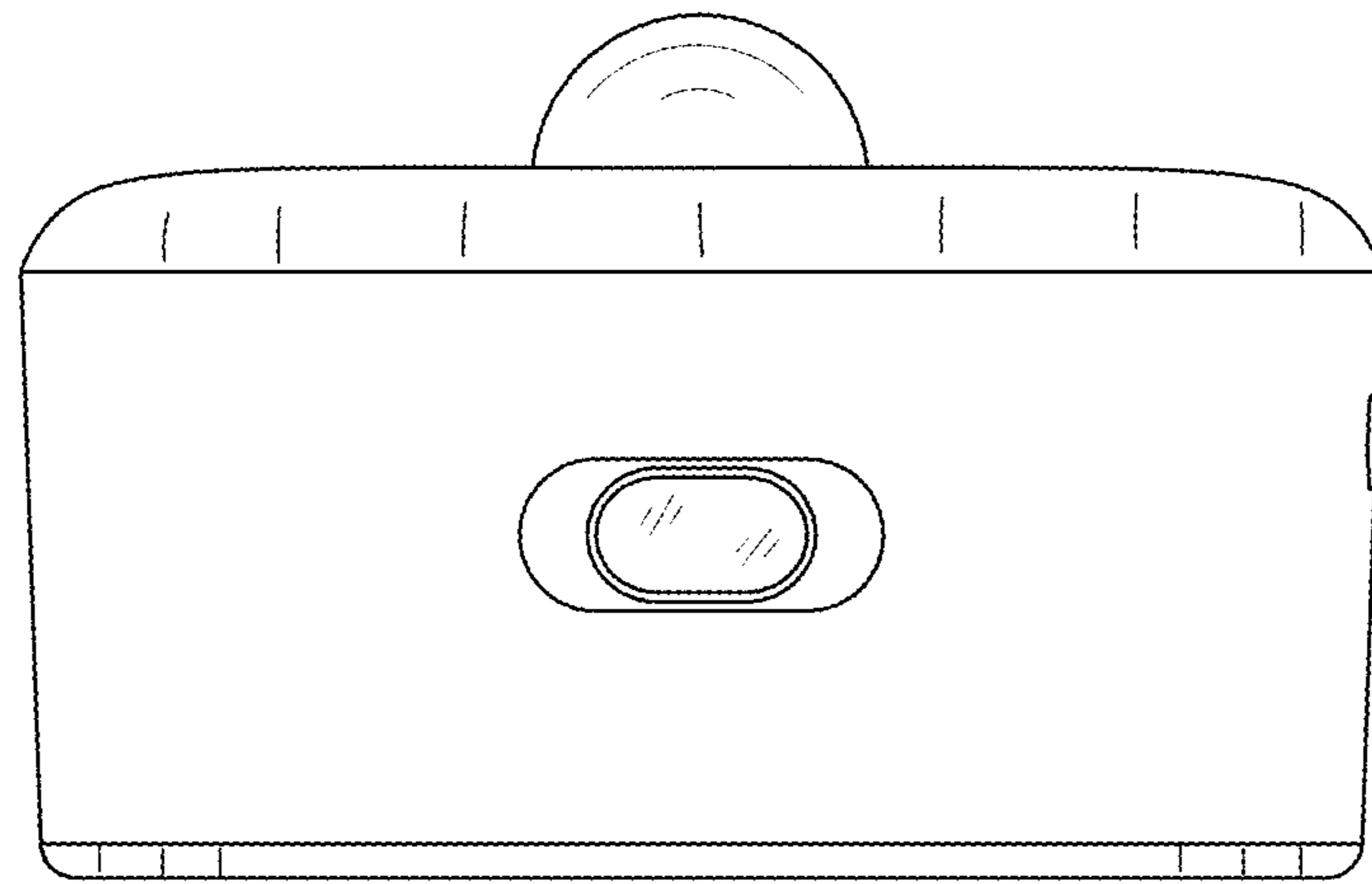


FIG.5

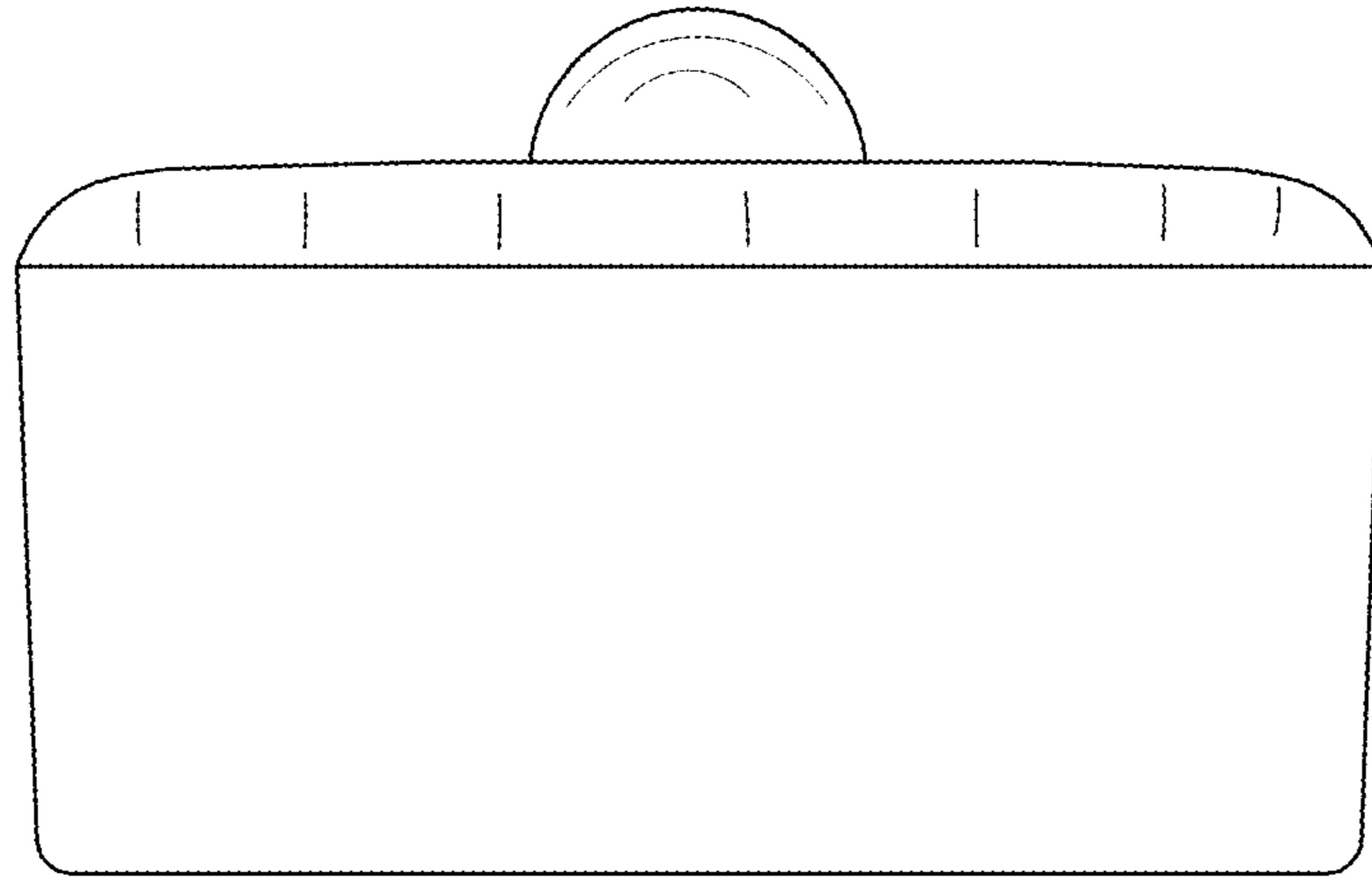


FIG.6

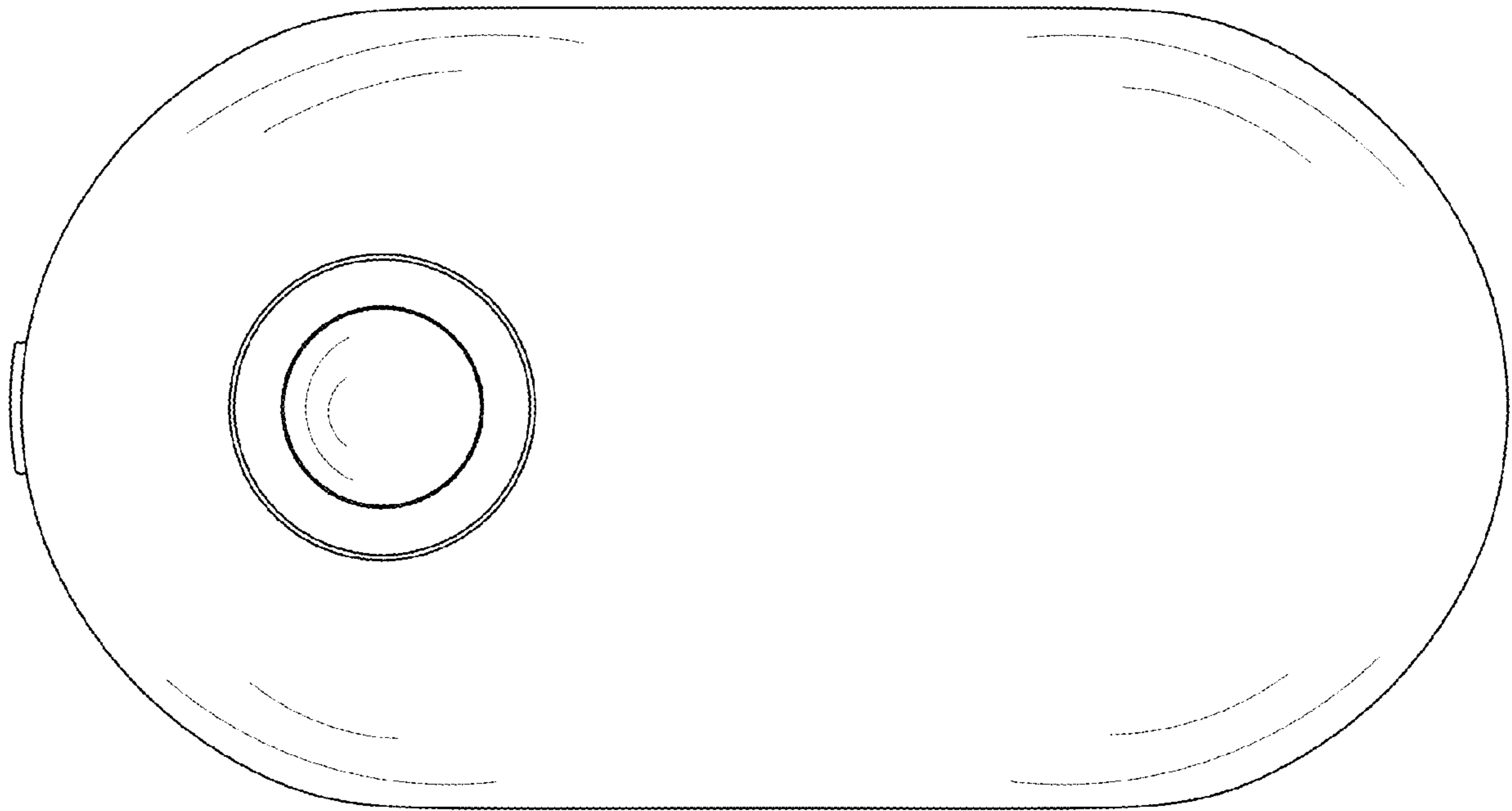


FIG.7



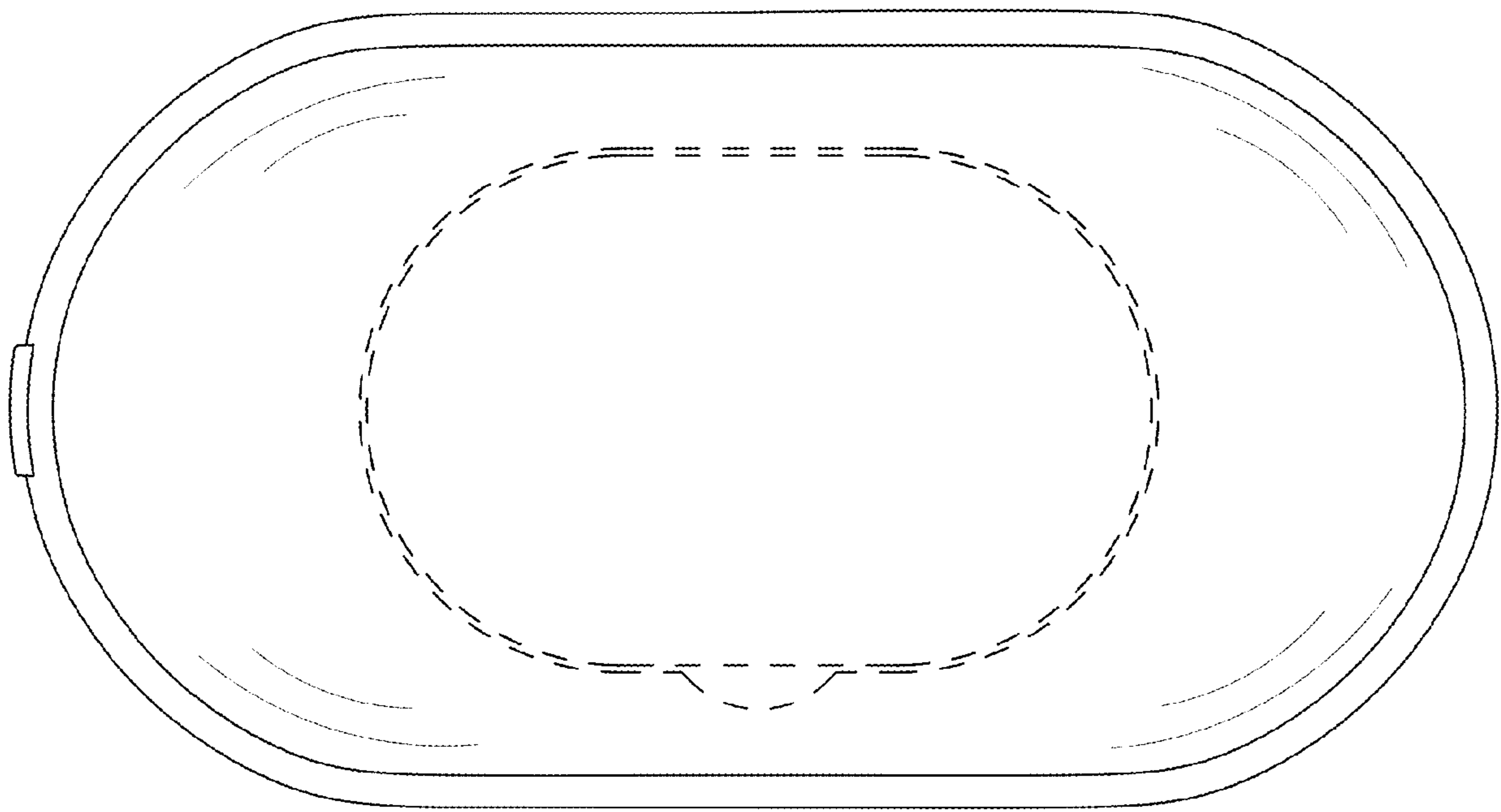


FIG.8