



US00D973921S

(12) **United States Design Patent**
Barber et al.

(10) **Patent No.:** **US D973,921 S**

(45) **Date of Patent:** **** Dec. 27, 2022**

(54) **CANDLESTICK**

(71) Applicant: **PUIFORCAT**, Paris (FR)

(72) Inventors: **Edward Barber**, London (GB); **Jay Osgerby**, London (GB)

(**) Term: **15 Years**

(21) Appl. No.: **35/512,557**

(22) Filed: **Mar. 15, 2021**

(80) **Hague Agreement Data**

Int. Filing Date: **Mar. 15, 2021**

Int. Reg. No.: **DM/213336**

Int. Reg. Date: **Mar. 15, 2021**

Int. Reg. Pub. Date: **Sep. 17, 2021**

(51) **LOC (13) Cl.** **26-01**

(52) **U.S. Cl.**

USPC **D26/22; D26/9**

(58) **Field of Classification Search**

USPC D26/9, 11, 13, 16, 22, 23, 93, 94, 104,
D26/110, 112, 113, 118, 128, 142

CPC F21S 6/00; F21S 6/001; F21S 6/002; F21S
9/03; F21S 11/00; F21V 3/00; F21V
35/00; F21L 19/00

See application file for complete search history.

(56) **References Cited**

U.S. PATENT DOCUMENTS

- 198,660 A * 12/1877 Minard et al. F21V 35/00
431/290
- 1,450,429 A * 4/1923 Halowell F21V 35/00
D11/146
- D87,484 S * 8/1932 Reh D26/13
- D203,290 S * 12/1965 Pennington D26/13
- D211,386 S * 6/1968 Bertelsen D26/13
- D243,033 S * 1/1977 Benes D26/13
- D248,787 S * 8/1978 Ulrich D26/23
- D452,019 S * 12/2001 Chernyakhovskiy D26/10

- D589,205 S * 3/2009 Sabernig D26/104
- D851,323 S * 6/2019 Barber F21V 35/00
D26/93
- D895,173 S * 9/2020 Harris D26/9
- D898,957 S * 10/2020 Sætter-Lassen D26/22
- D914,926 S * 3/2021 Harris F21V 35/00
D26/9

OTHER PUBLICATIONS

IKEA Glittrig Candlestick, Oct. 2, 2018, Amazon.co.uk, site visited Sep. 8, 2022, url: <https://www.amazon.co.uk/dp/B07QMKQ528> (Year: 2018).*

Haohai Black Candle Holders, Nov. 20, 2020, Amazon.co.uk, site visited Sep. 8, 2022, url: <https://www.amazon.co.uk/dp/B08NWV8QBR> (Year: 2020).*

Orrefors by Ingegerd Råman, Feb. 21, 2021, ScandinavianDesign.com, site visited Sep. 8, 2022, url: <https://www.scandinaviandesign.com/orrefors-presents-new-products-by-ingegerd-raman-who-with-her-functional-subtracted-and-timelessly-elegant-design-delivers-glass-poetry-without-compromise/> (Year: 2021).*

* cited by examiner

Primary Examiner — T Chase Nelson

Assistant Examiner — Rachel Wolfe

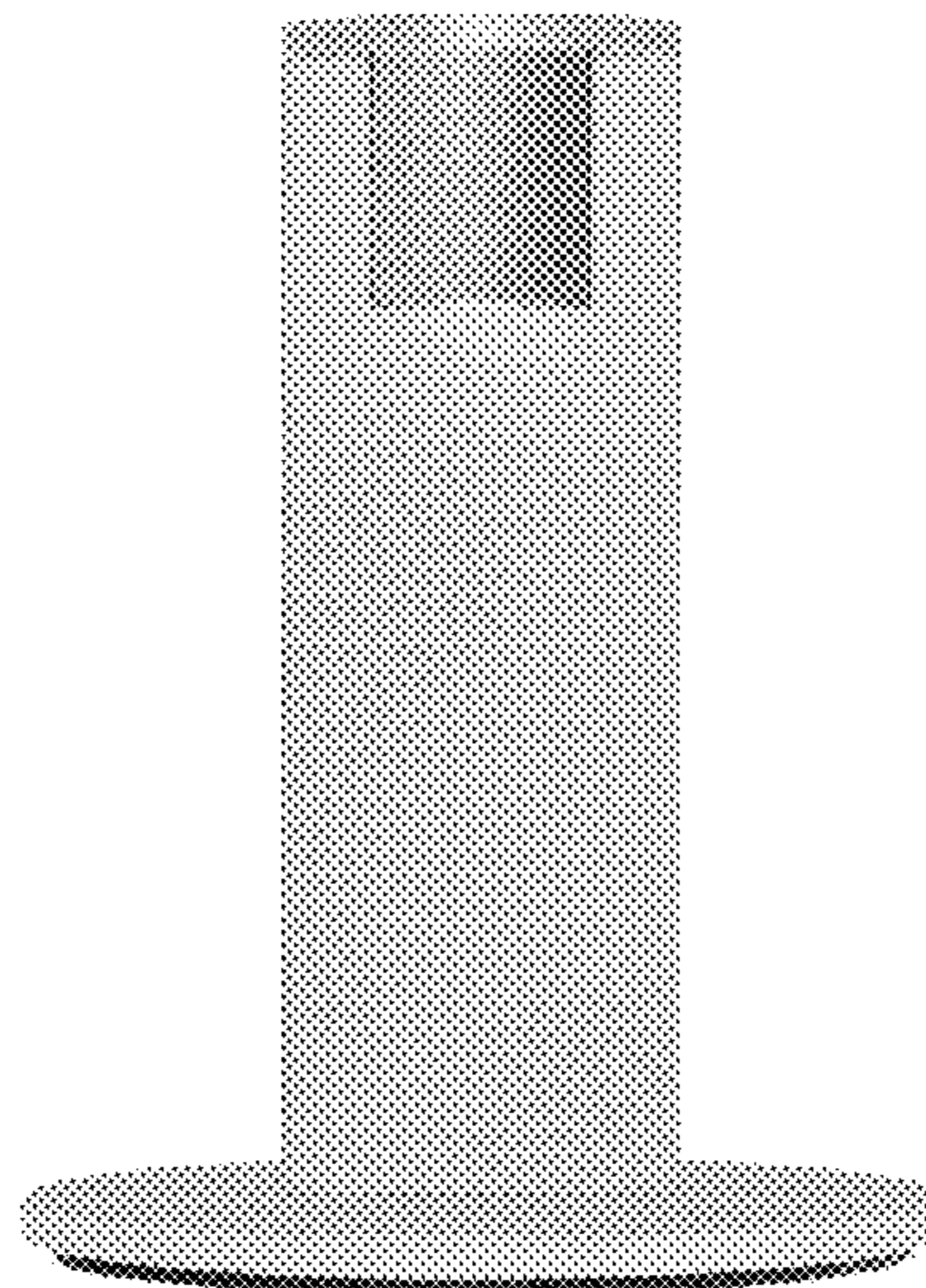
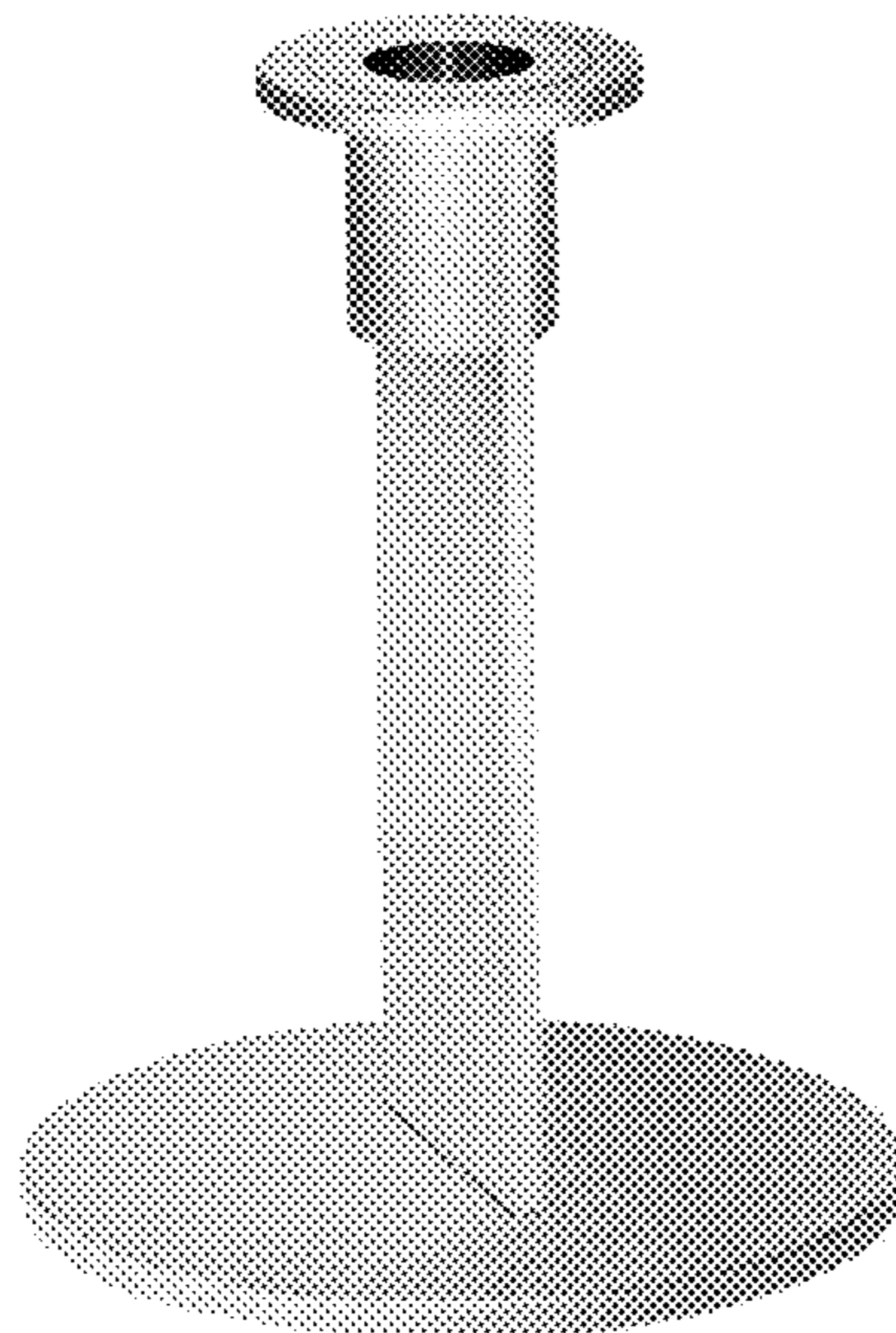
(57) **CLAIM**

The ornamental design for a candlestick, as shown and described.

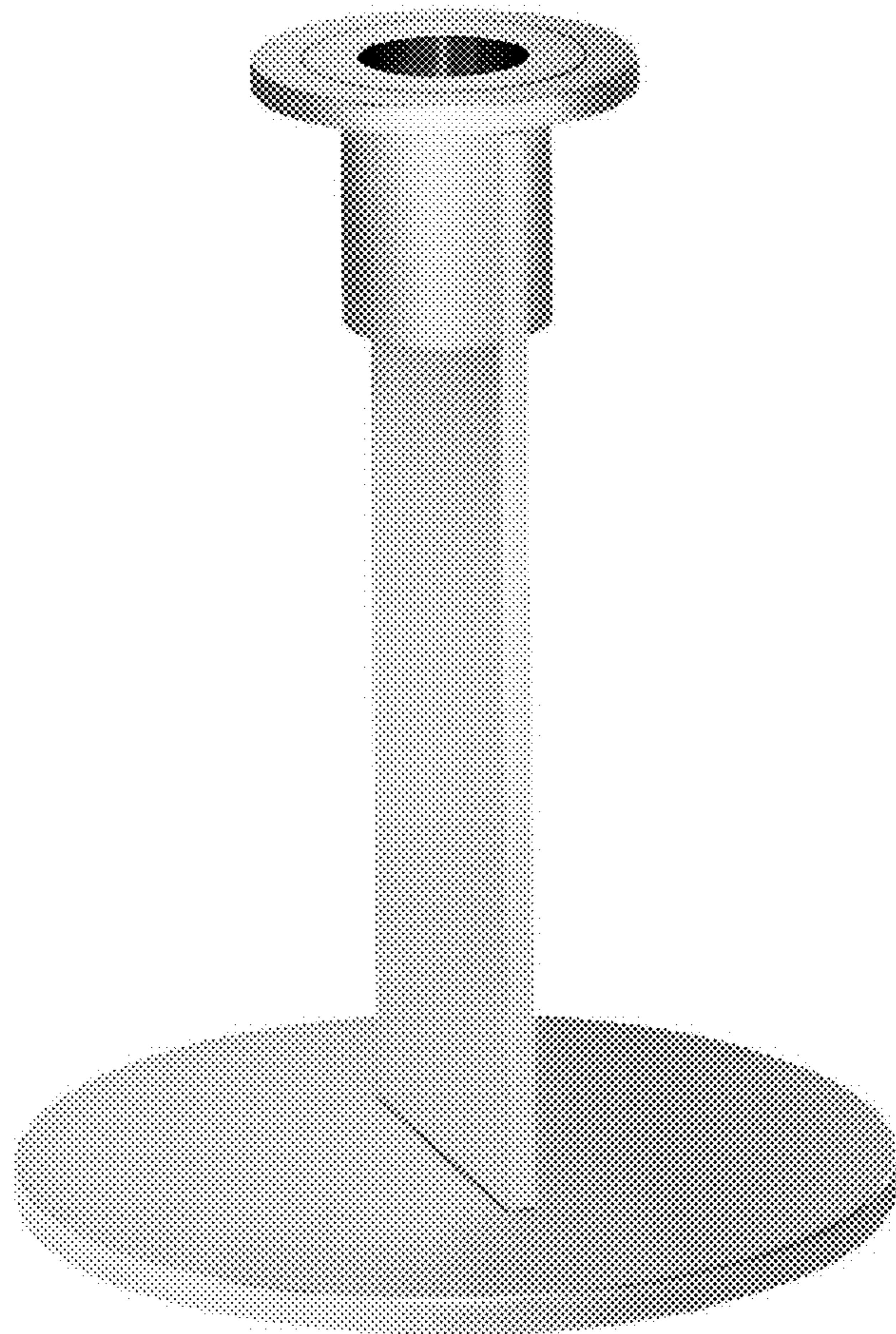
DESCRIPTION

- 1. Candlestick
- 1.1 : Perspective
- 1.2 : Front
- 1.3 : Back
- 1.4 : Right
- 1.5 : Left
- 1.6 : Top
- 1.7 : Bottom
- 1.8 : Perspective

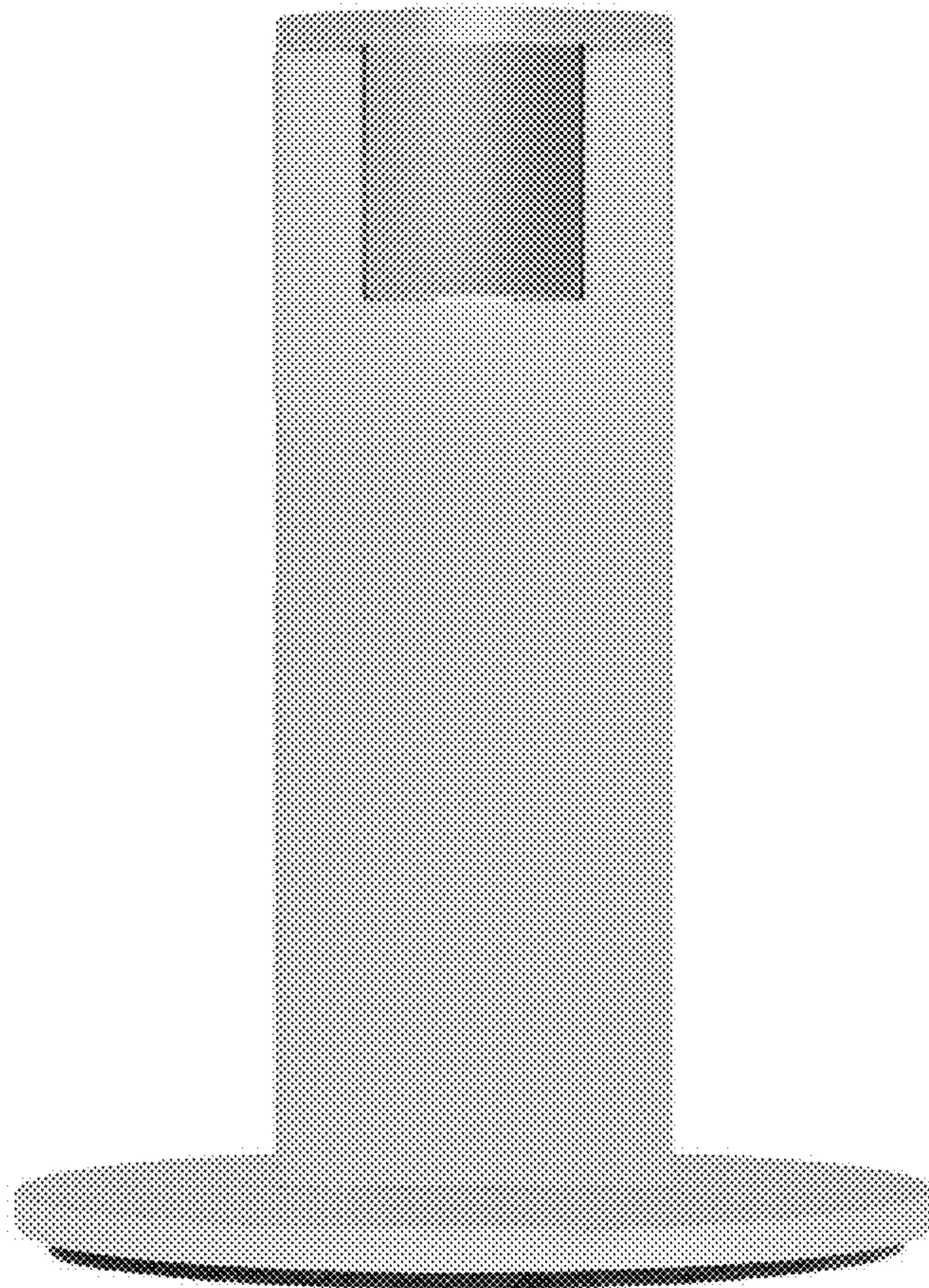
1 Claim, 8 Drawing Sheets



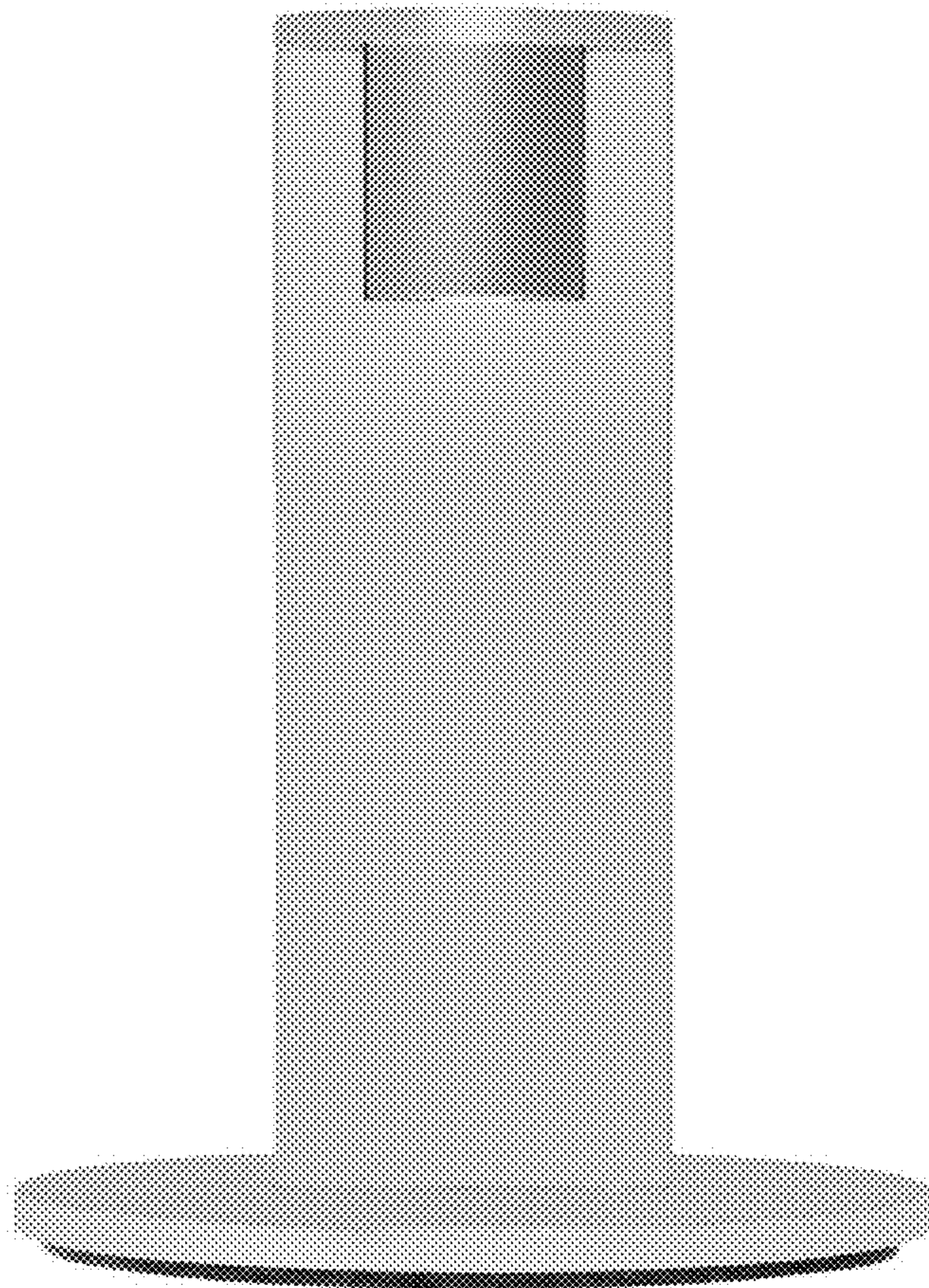
1.1



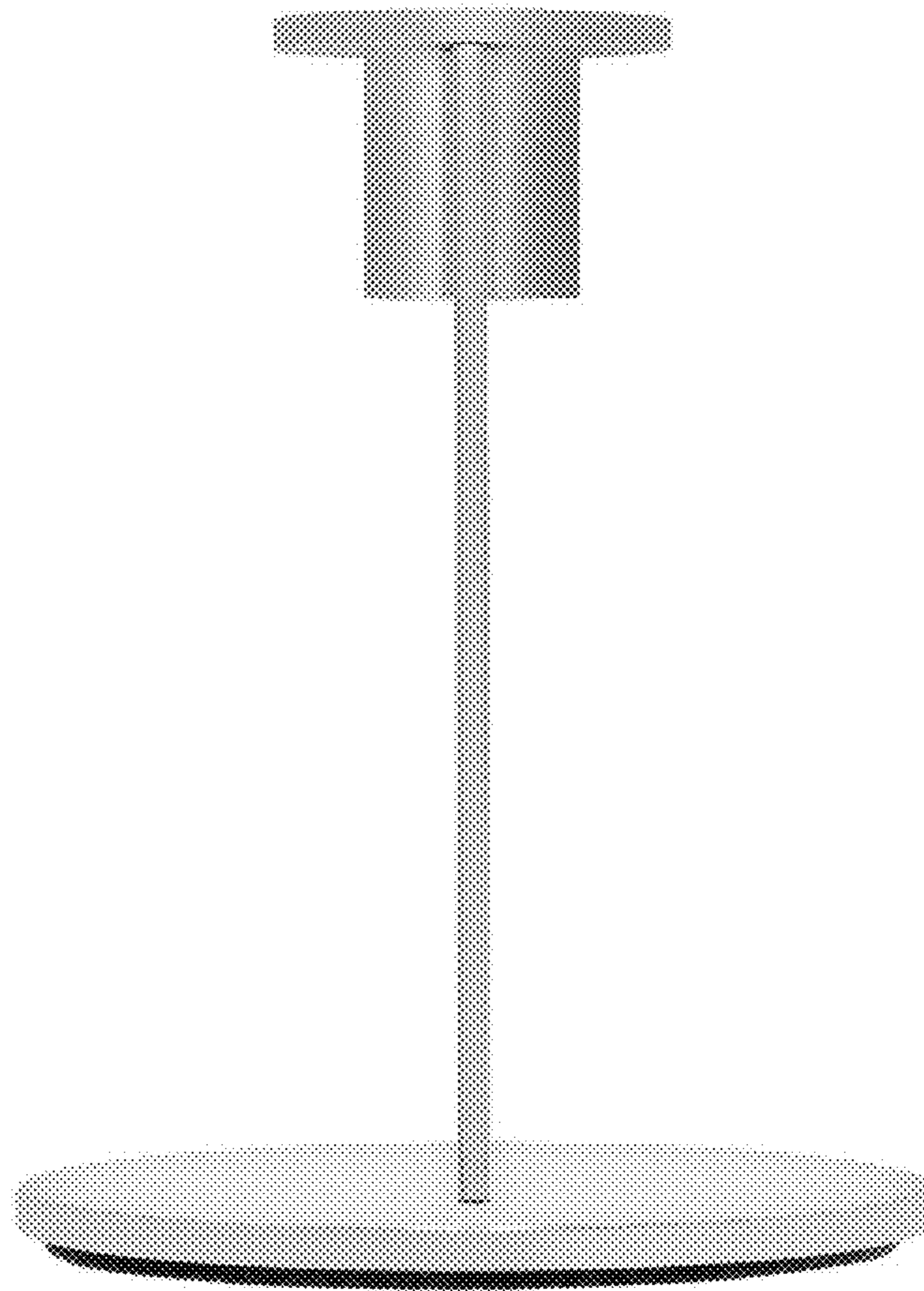
1.2



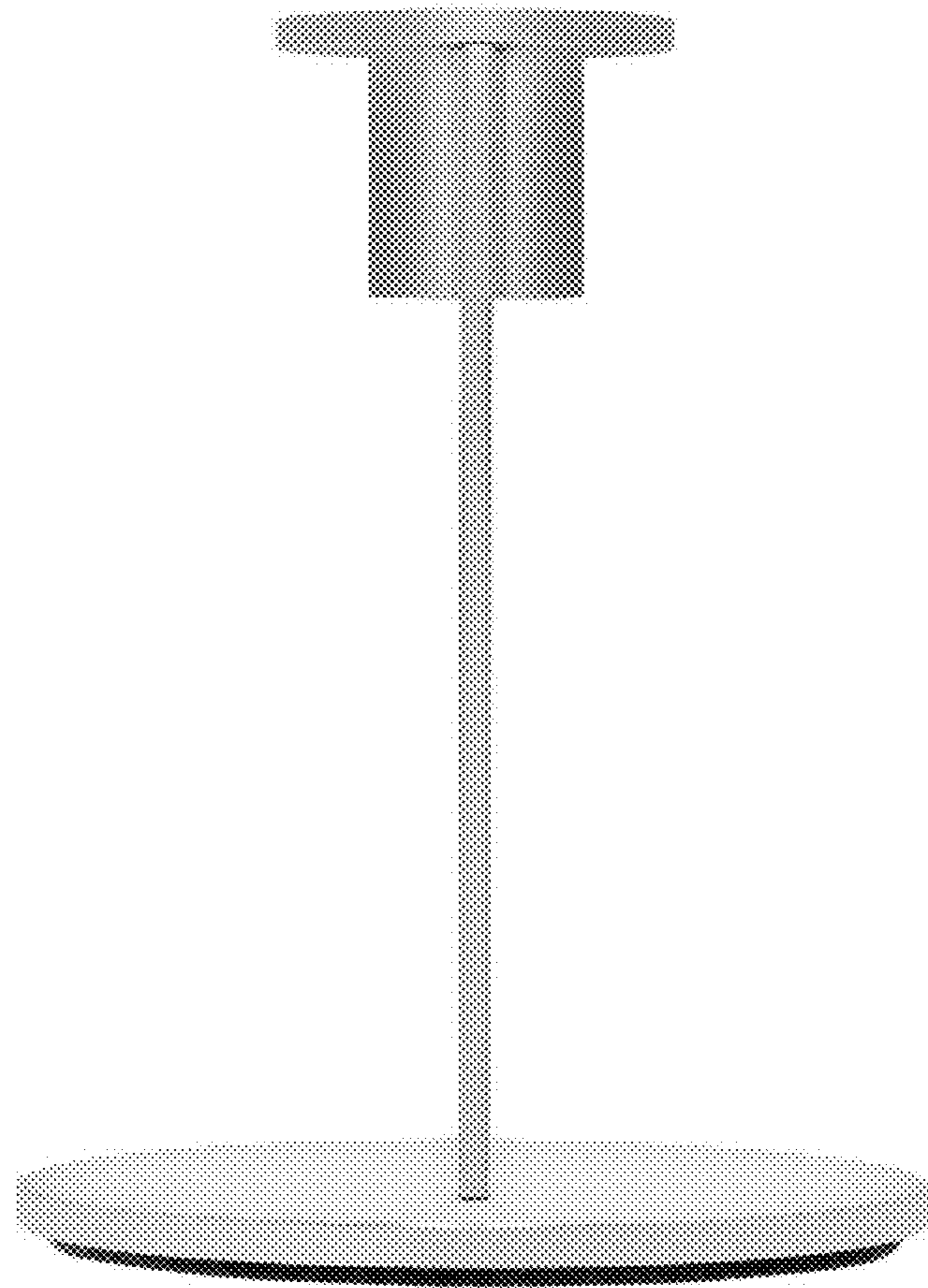
1.3



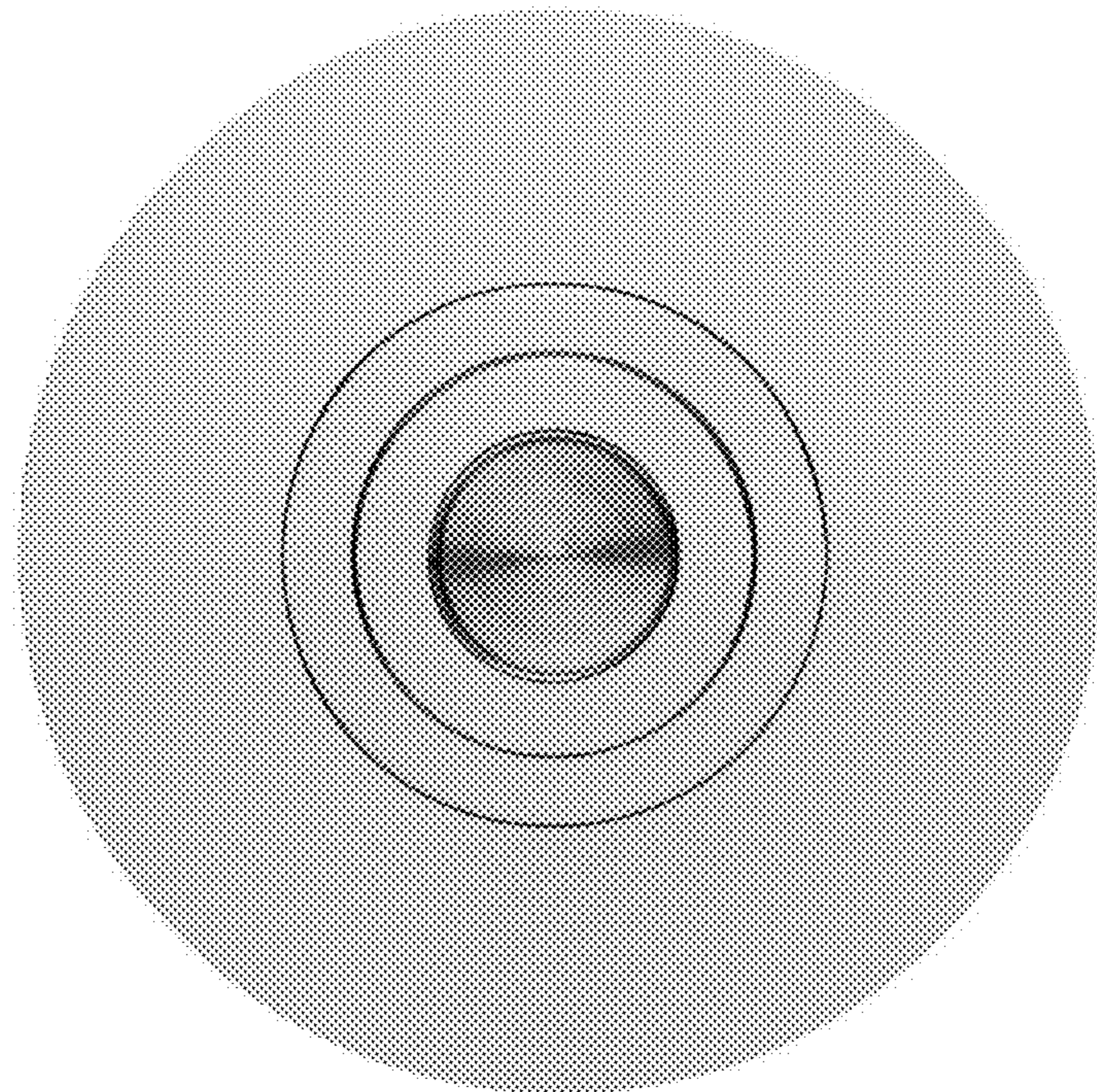
1.4



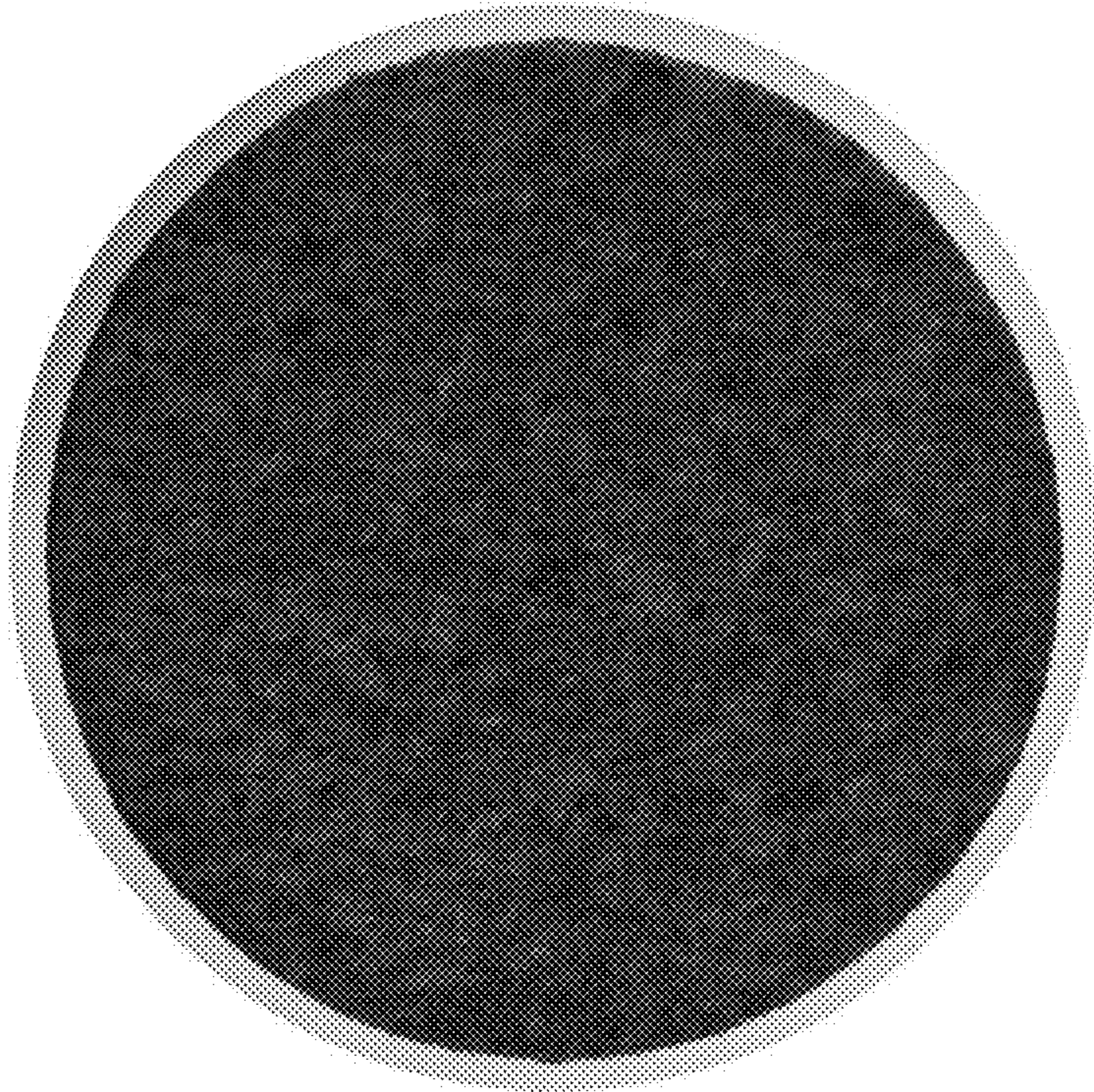
1.5



1.6



1.7



1.8

