



US00D973919S

(12) **United States Design Patent**  
**Liu**

(10) **Patent No.:** **US D973,919 S**  
(45) **Date of Patent:** **\*\* Dec. 27, 2022**

- (54) **LAMP**
- (71) Applicant: **Tao Liu**, Tianjin (CN)
- (72) Inventor: **Tao Liu**, Tianjin (CN)
- (\*\*) Term: **15 Years**
- (21) Appl. No.: **29/840,152**
- (22) Filed: **May 26, 2022**
- (51) **LOC (13) Cl.** ..... **26-01**
- (52) **U.S. Cl.**  
USPC ..... **D26/11; D26/12; D26/67**
- (58) **Field of Classification Search**  
USPC ..... D26/1, 6, 7, 9-12, 16, 22, 67, 93, 94,  
D26/104, 106, 108, 110, 112  
CPC ..... F21L 2/00; F21L 4/00; F21L 14/00; F21L  
19/00; F21S 6/00; F21S 6/001; F21S  
6/002; F21S 9/00; F21S 9/02; F21S 9/03;  
F21S 9/037; F21V 3/00; F21V 21/0824;  
F21V 35/00; F21V 37/00; F21W  
2131/109  
See application file for complete search history.

(56) **References Cited**

**U.S. PATENT DOCUMENTS**

- 1,975,496 A \* 10/1934 Barrett, Jr. .... F21V 35/00  
431/291
- 2,050,151 A \* 8/1936 Baumer ..... F21V 37/0095  
431/291
- 2,060,324 A \* 11/1936 Knapp ..... F21V 37/0095  
431/291
- 2,439,467 A \* 4/1948 Guilfoil, Jr. .... F21V 37/0095  
431/291
- D184,290 S \* 1/1959 Rettman ..... F21V 35/00  
D26/104
- D206,950 S \* 2/1967 Colletti ..... D26/96
- D207,239 S \* 3/1967 Guilfoil, Jr. .... F21V 33/00  
D26/11
- D208,065 S \* 7/1967 Colletti ..... D26/68
- D243,548 S \* 3/1977 Shippee ..... D26/10

- 4,930,055 A \* 5/1990 Swadell ..... F21S 8/083  
362/244
- 5,055,035 A \* 10/1991 Hancovsky ..... F21V 35/00  
362/180
- D343,243 S \* 1/1994 Ewing ..... D26/67  
(Continued)

**OTHER PUBLICATIONS**

WILLandBAUMER Red Cemetery Light with Gold Plastic Dome,  
Jun. 11, 2014, Amazon.ca, site visited Sep. 14, 2022, url: <https://www.amazon.ca/dp/B0043GRFG4> (Year: 2014).\*

(Continued)

*Primary Examiner* — T Chase Nelson  
*Assistant Examiner* — Rachel Wolfe

(57) **CLAIM**

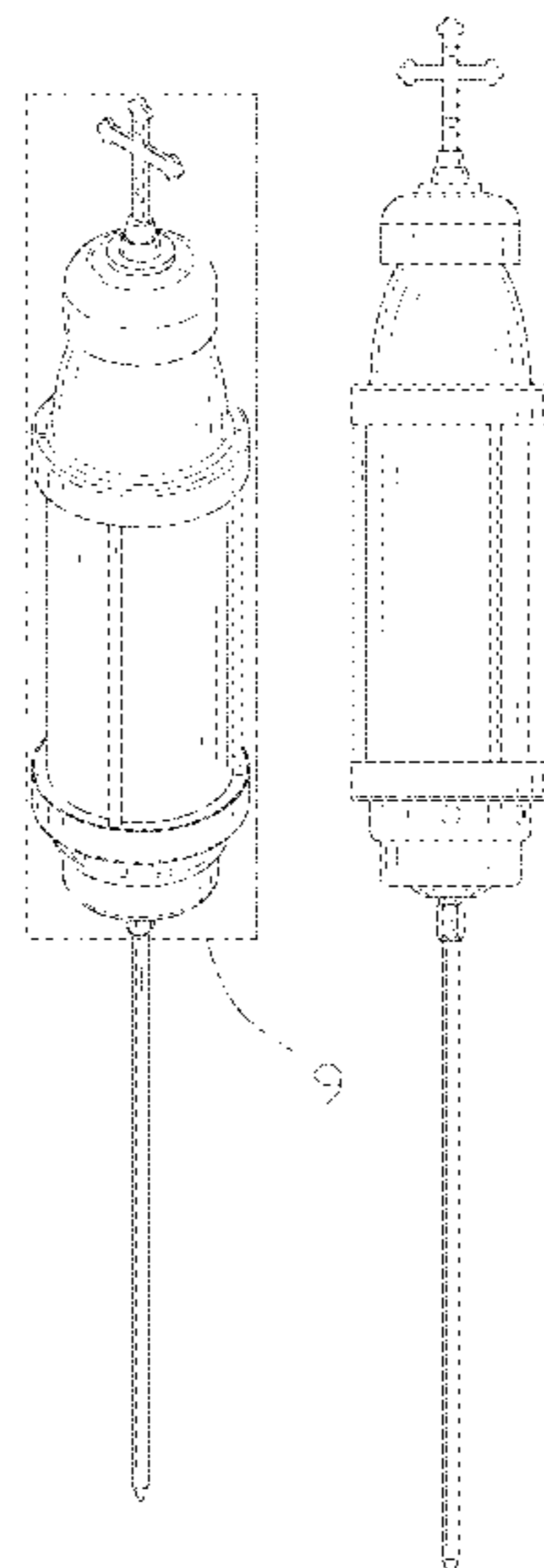
The ornamental design for a lamp, as shown and described.

**DESCRIPTION**

FIG. 1 is a front and top perspective view of a lamp, showing my new design;  
 FIG. 2 is a rear and bottom perspective view thereof;  
 FIG. 3 is a front elevation view thereof;  
 FIG. 4 is a rear elevation view thereof;  
 FIG. 5 is a left side elevation view thereof;  
 FIG. 6 is a right side elevation view thereof;  
 FIG. 7 is a top plan view thereof;  
 FIG. 8 is a bottom plan view thereof;  
 FIG. 9 is an enlarged view of a portion indicated with numeric 9 in FIG. 1; and,  
 FIG. 10 is an enlarged view of a portion indicated with numeric 10 in FIG. 2.

The broken lines in the figures illustrate portions of the lamp that form no part of the claimed design. The dash dot dash lines in FIGS. 1, 2, 9 and 10 are for the purpose of depicting the cut line of the enlarged views and form no part of the claim.

**1 Claim, 10 Drawing Sheets**



(56)

**References Cited**

U.S. PATENT DOCUMENTS

D437,965 S \* 2/2001 Diviak, Sr. .... F21S 8/083  
D26/104  
D444,253 S \* 6/2001 Blanchard ..... D26/67  
6,364,503 B1 \* 4/2002 Wenzel ..... F21V 33/00  
362/186  
D472,338 S \* 3/2003 Barriger ..... D26/67  
D946,191 S \* 3/2022 Hsu ..... D26/67  
D963,901 S \* 9/2022 Liu  
2009/0175046 A1 \* 7/2009 Richard ..... F21V 21/002  
439/577

OTHER PUBLICATIONS

OURMEMO Cemetery Light, Dec. 18, 2019, Amazon.com, site visited Sep. 14, 2022, url: <https://www.amazon.com/dp/B082W1VBHY> (Year: 2019).\*

OURMEMO Cemetery Light Candle Holder Memorial Lantern, Apr. 5, 2022, Amazon.com, site visited Sep. 14, 2022, url: <https://www.amazon.com/dp/B09X6W5C4S/> (Year: 2022).\*

\* cited by examiner

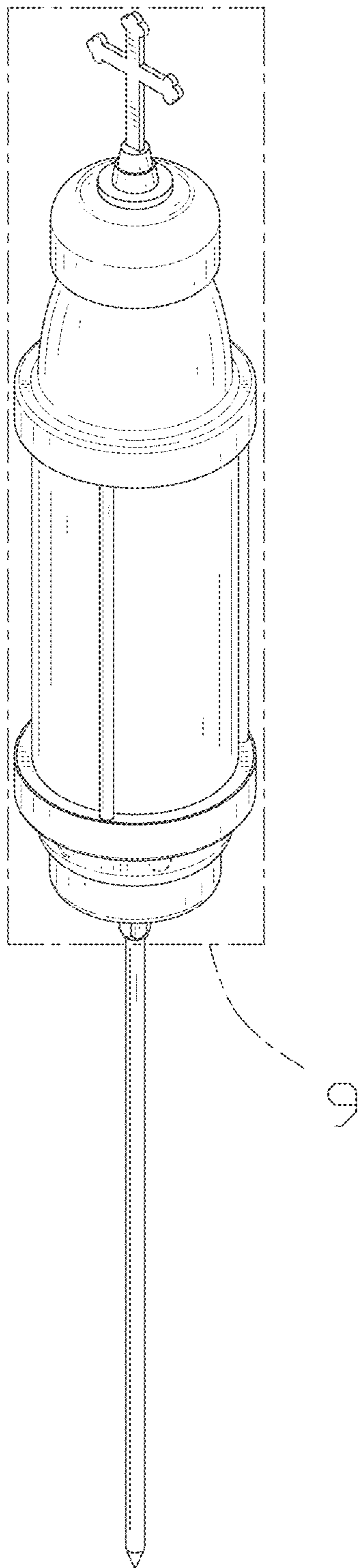


FIG. 1

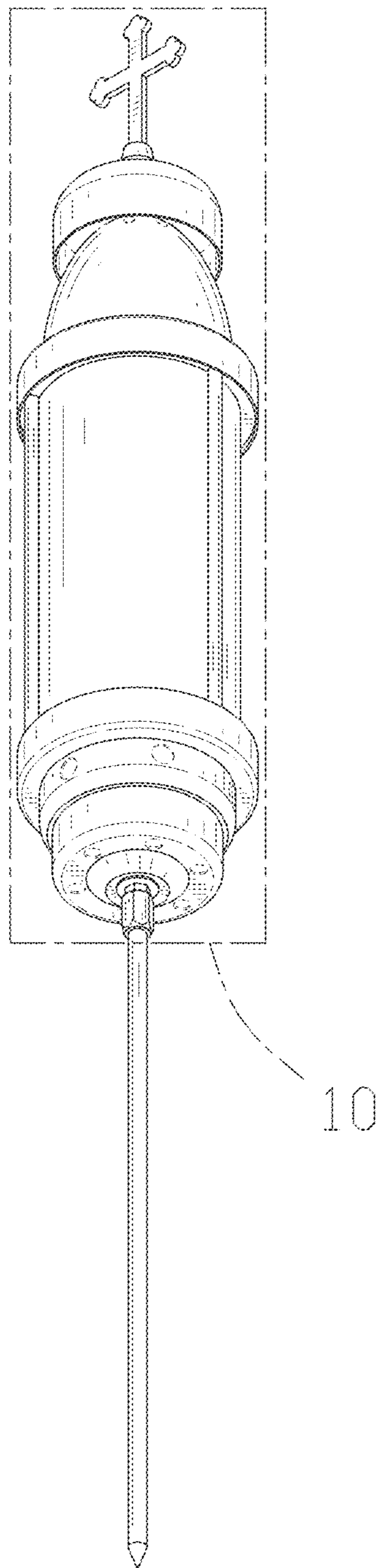


FIG. 2

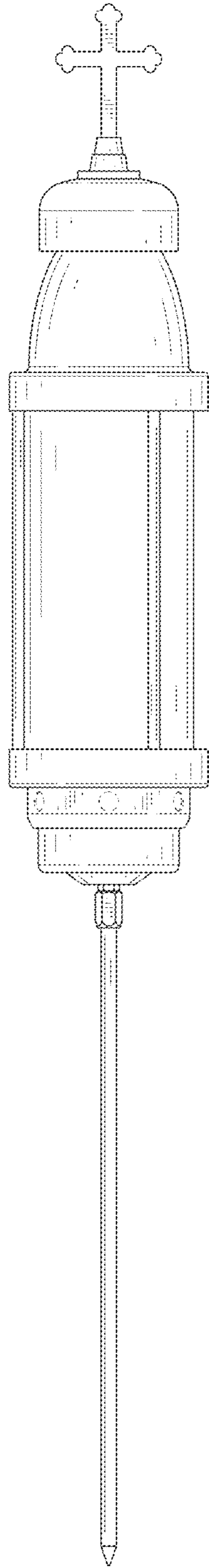


FIG. 3

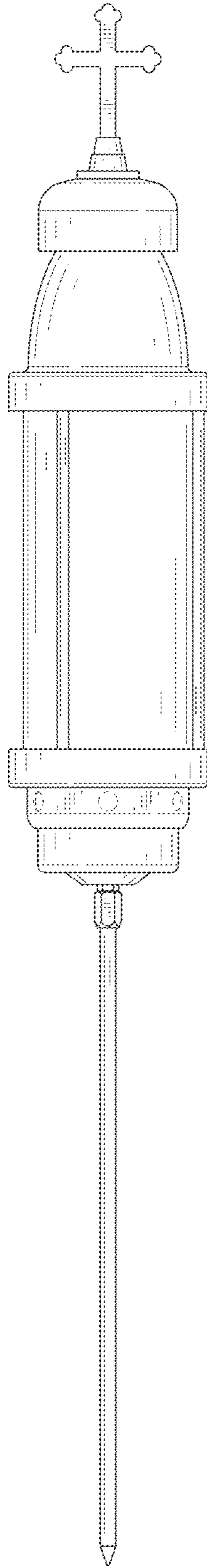


FIG. 4

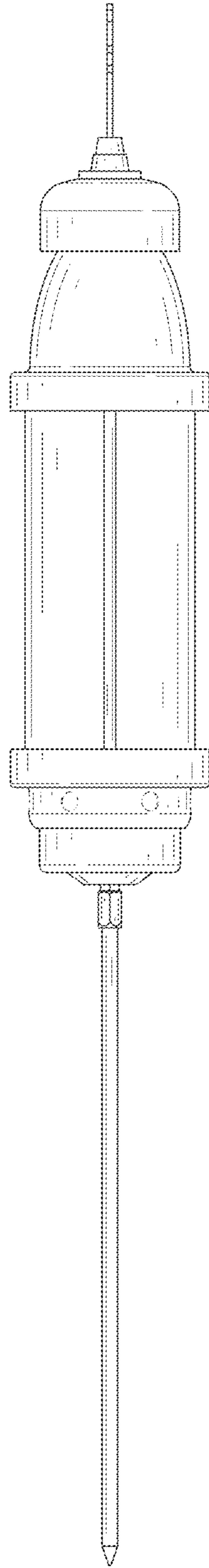


FIG. 5



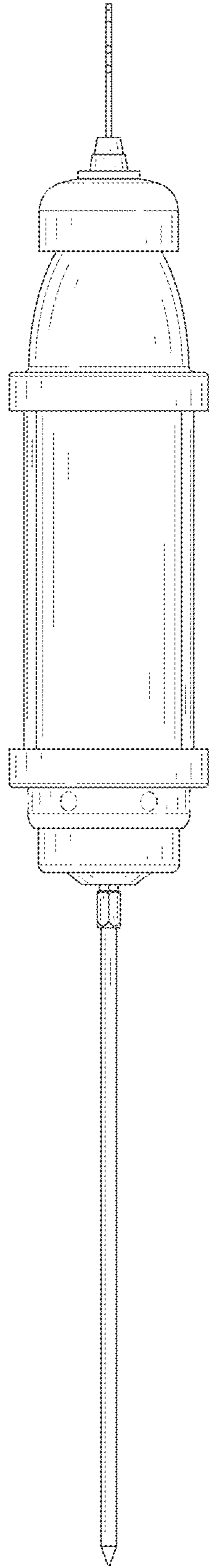


FIG. 6



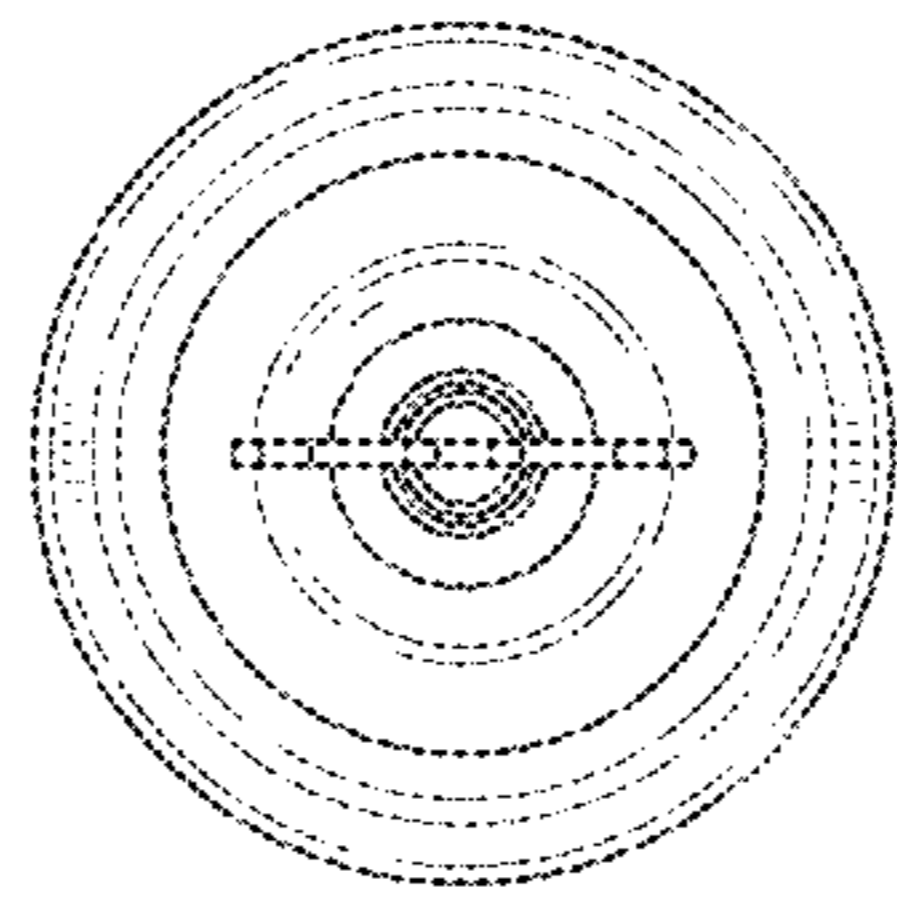


FIG. 7

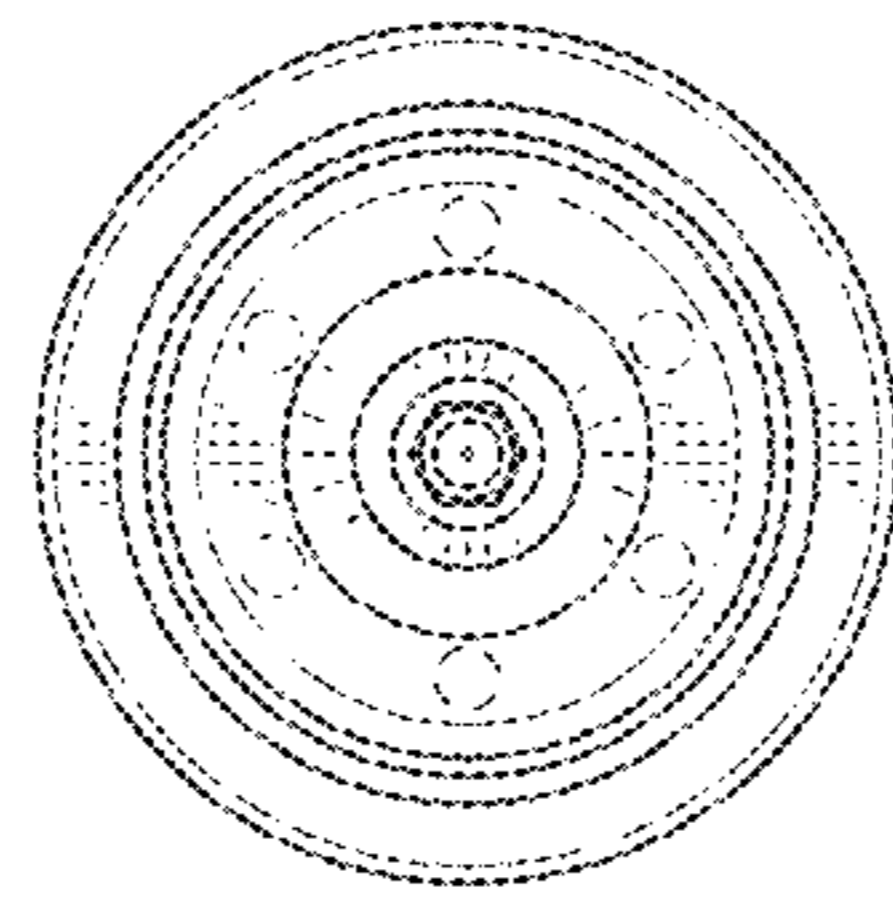


FIG. 8

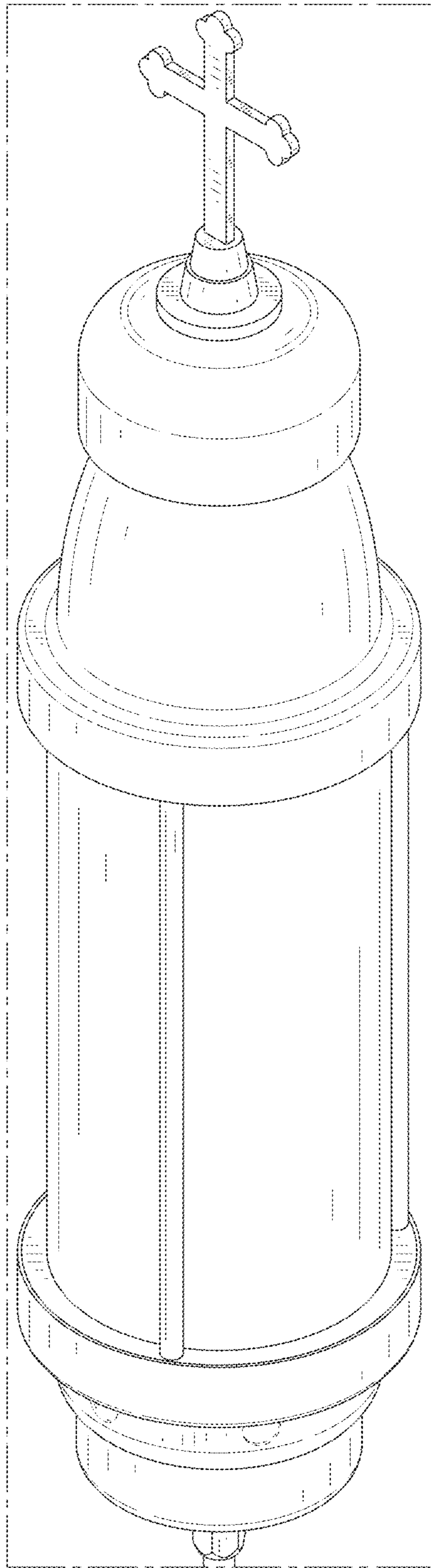


FIG. 9

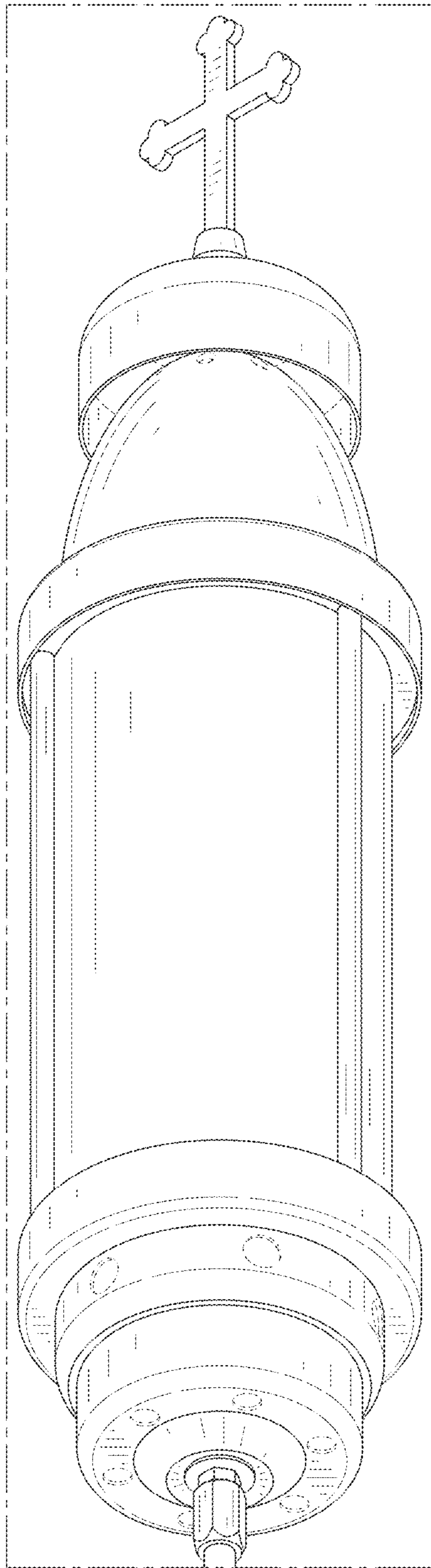


FIG. 10